

## 阅读申明

- 1.本站收集的数据手册和产品资料都来自互联网，版权归原作者所有。如读者和版权方有任何异议请及时告之，我们将妥善解决。
- 2.本站提供的中文数据手册是英文数据手册的中文翻译，其目的是协助用户阅读，该译文无法自动跟随原稿更新，同时也可能存在翻译上的不当。建议读者以英文原稿为参考以便获得更精准的信息。
- 3.本站提供的产品资料，来自厂商的技术支持或者使用者的心得体会等，其内容可能存在描述上的差异，建议读者做出适当判断。
- 4.如需与我们联系，请发邮件到marketing@iczoom.com，主题请标有“数据手册”字样。

## Read Statement

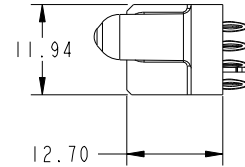
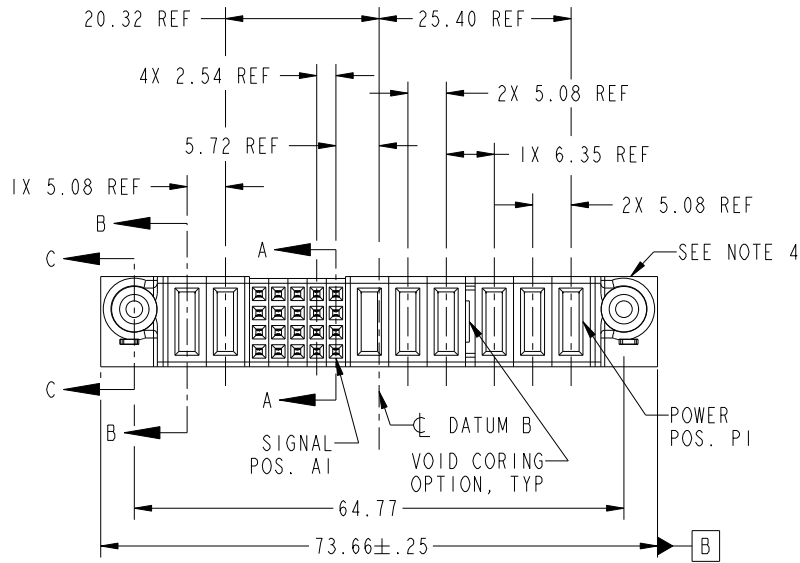
1. The datasheets and other product information on the site are all from network reference or other public materials, and the copyright belongs to the original author and original published source. If readers and copyright owners have any objections, please contact us and we will deal with it in a timely manner.
2. The Chinese datasheets provided on the website is a Chinese translation of the English datasheets. Its purpose is for reader's learning exchange only and do not involve commercial purposes. The translation cannot be automatically updated with the original manuscript, and there may also be improper translations. Readers are advised to use the English manuscript as a reference for more accurate information.
3. All product information provided on the website refer to solutions from manufacturers' technical support or users the contents may have differences in description, and readers are advised to take the original article as the standard.
4. If you have any questions, please contact us at marketing@iczoom.com and mark the subject with "Datasheets" .

Tous droits strictement réservés. Reproduction ou communication a des tiers interdite sous quelque forme que ce soit sans autorisation écrite du propriétaire. Propriété de c.FCI. Droits de reproduction FCI.

All rights strictly reserved. Reproduction or issue to third parties in any form whatever is not permitted without written authority from the proprietor. Property of FCI. Copyright FCI.



PRODUCT NO.	ROWS	POWER		SIGNAL					POWER					E1		
		E2	P8	P7	5	4	3	2	1	P6	P5	P4	P3		P2	P1
51940-209-- NOTE: 3	D C B A		PF	PF	F	F	F	F	F	F	F	F	F	F	F	



CODE	DIM "M" MATING LENGTH	CONTACT TYPE
PF	[2.34]	POWER
F	[N/A]	SIGNAL
HA	[N/A]	HOLD-DOWN

mat'l code				SEE NOTES		tolerances unless otherwise specified		CUSTOMER		 www.fciconnect.com	
ltr	ecn no.	dr	date	linear	0.X ±0.3		COPY		title 6P + 20S + 2P VERTICAL PF RECEPT		
A	DG07-0025	JULIA	01/17/07		0.XX ±0.13		projection				
					0.XXX ±0.051		 MM				
				angles	0° ±2°		scale		product family		code
				dr	JULIA WANG	11/15/06	1:1		PwrBlade		213
				engr	RYAN YUAN	11/15/06			size		sheet
				chr	BEER FU	11/15/06			A		1 of 4
				appd	JOSEPH HSIA	11/15/06			51940-209		
sheet index	revision sheet	A	A	A	A	A					
		1	2	3	4						

A

A

B

B

1 | 2

3

4

Pro/E

PDM: Rev: A

STATUS: Released

Printed: Dec 20, 2010

cage code 2856

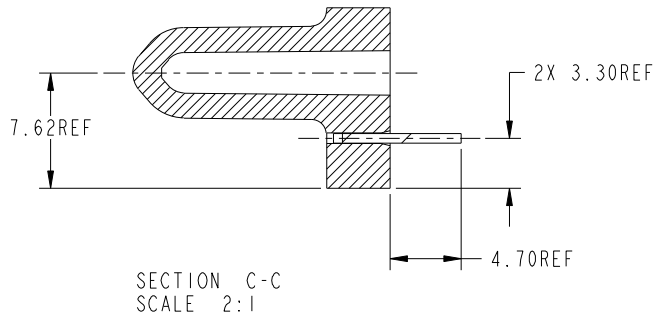
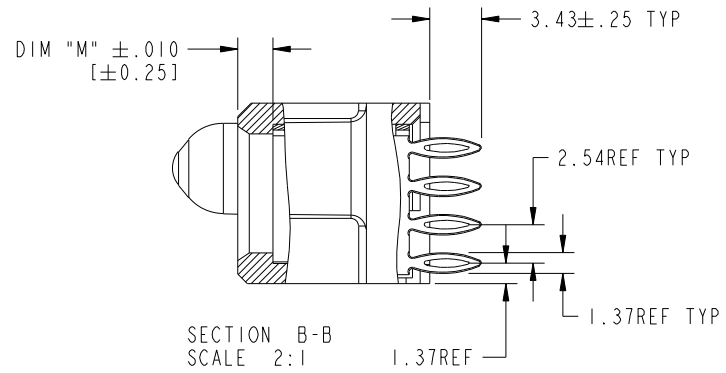
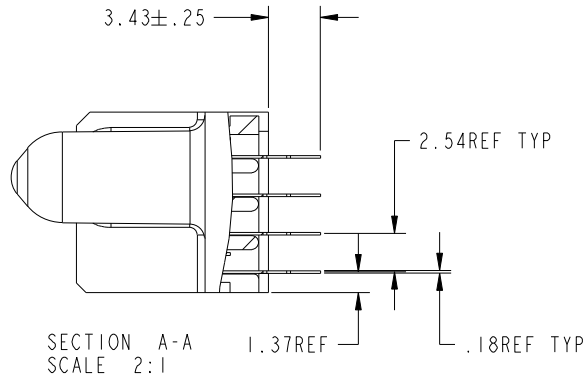
Tous droits strictement reserves. Reproduction ou communication a des tiers interdite sous quelque forme que ce soit sans autorisation ecrite du proprietaire. Propriete de c FCI. Droits de reproduction FCI.

All rights strictly reserved. Reproduction or issue to third parties in any form whatever is not permitted without written authority from the proprietor. Property of FCI. Copyright FCI.



PRODUCT NUMBER

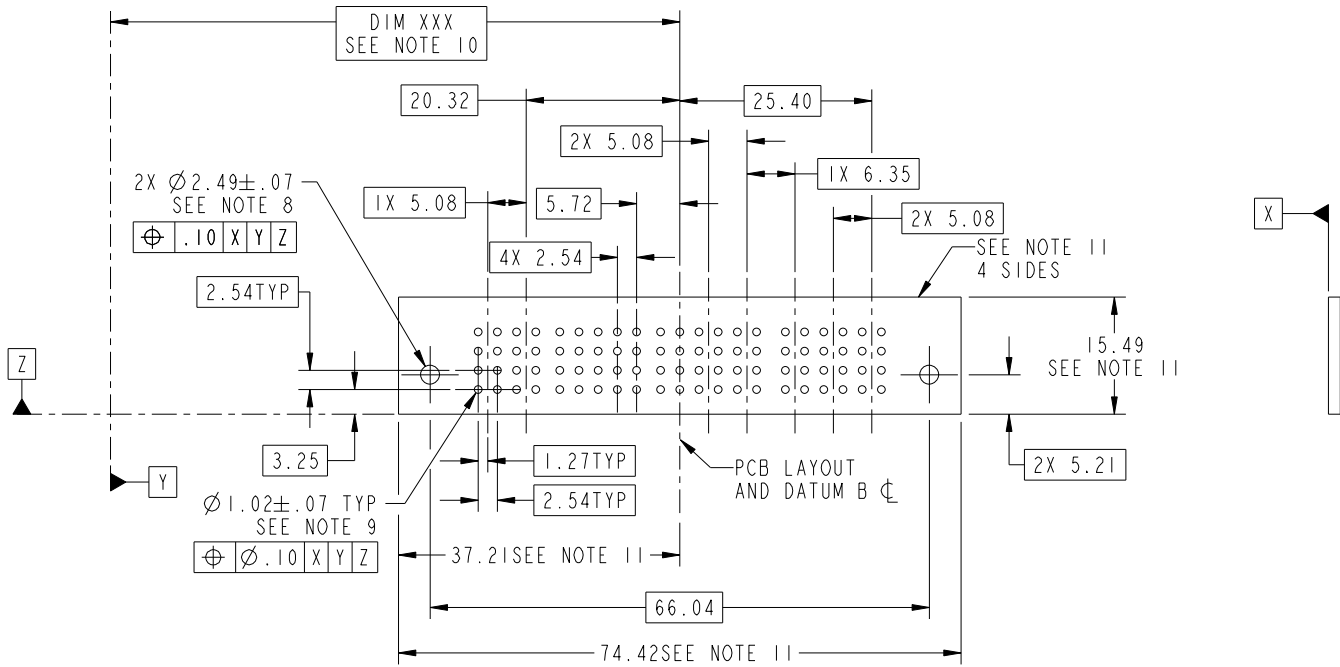
51940-209\_\_  
NOTE: 3



mat'l code				tolerances unless otherwise specified		CUSTOMER		FCI	
lir	ecn no.	dr	date	linear	0.X ± 0.3	COPY		www.fciconnect.com	
A				linear	0.XX ± 0.13	projection		title	
				linear	0.XXX ± 0.051	⊕ ↗		6P + 20S + 2P VERTICAL PF RECEIPT	
				angles	0° ± 2°	MM		product family	
				dr	JULIA WANG 11/15/06	↔		PwrBlade	
				engr	RYAN YUAN 11/15/06	scale		code	
				chr	BEER FU 11/15/06	1:1		213	
				appd	JOSEPH HSIA 11/15/06	A		sheet	
sheet index		revision sheet				51940-209		2 of 4	



PRODUCT NUMBER  
51940-209\_\_  
NOTE: 3



mat'l code				tolerances unless otherwise specified		CUSTOMER		 www.fciconnect.com	
lfr	ecn no.	dr	date	linear	0.X ± 0.3		COPY		title 6P + 20S + 2P VERTICAL PF RECEPT
A					0.XX ± 0.13		projection		
					0.XXX ± 0.051				
				angles	0° ± 2°				
				dr	JULIA WANG	11/15/06			product family PwrBlade
				enr	RYAN YUAN	11/15/06			code 213
				chr	BEER FU	11/15/06			sheet 3 of 4
				appd	JOSEPH HSIA	11/15/06			size A
sheet index		revision sheet				scale 1:1		dwg no 51940-209	

cage code 22526

Tous droits strictement réservés. Reproduction ou communication a des tiers interdite sous quelque forme que ce soit sans autorisation écrite du propriétaire. Propriété de c.FCI. Droits de reproduction FCI.

All rights strictly reserved. Reproduction or issue to third parties in any form whatever is not permitted without written authority from the proprietor. Property of FCI. Copyright FCI.



1 | 2

3

4

PRODUCT NUMBER

51940-209\_\_  
NOTE: 3

NOTES:

1. DIMENSIONS AND TOLERANCES ARE IN ACCORDANCE WITH ASME Y14.5M, 1994 UNLESS OTHERWISE SPECIFIED.

CONNECTOR NOTES:

- ② HOUSING MATERIAL: UL 94 V-0 GLASS FILLED  
HIGH-TEMP THERMOPLASTIC  
POWER CONTACT MATERIAL: COPPER ALLOY  
SIGNAL PIN MATERIAL: COPPER ALLOY
- 3. PLATING SPEC.  
51940-209,51940-209LF PLATING SPEC. WAS SHOWN IN THE PRINT OF 10064183.
- ④ MANUFACTURER'S NAME, P/N, AND DATE CODE TO APPEAR ON THIS SURFACE.
- 5. PRODUCT SPECIFICATION GS-12-149.  
APPLICATION SPECIFICATION BUS-20-067.
- 6. PACKAGED IN TRAYS.

PCB NOTES:

- 7. ALL HOLE DIAMETERS ARE FINISHED HOLE SIZE.
- ⑧ MOUNTING HOLES, WHERE APPLICABLE, ARE UNPLATED.
- ⑨  $\varnothing 1.151 \pm 0.025$  DRILLED HOLES PLATED WITH  
0.008 MIN SnPb OR Sn OVER 0.03  
TO 0.08 Cu PLATING TO ACHIEVE  
 $\varnothing 1.02 \pm .07$  HOLE.
- ⑩ "DIM XXX" TO BE DETERMINED BY THE CUSTOMER.
- ⑪ CONNECTOR KEEP-OUT ZONE.

mat'l code				tolerances unless otherwise specified		CUSTOMER		FCI		www.fciconnect.com	
lfr	ecn no.	dr	date	linear	0.X ±0.3		COPY		title 6P + 20S + 2P VERTICAL PF RECEPT		
A					0.XX ±0.13		projection				
					0.XXX ±0.051						
				angles	0° ±2°				product family PwrBlade		code
				dr	JULIA WANG	11/15/06	scale		size	dwg no	213
				enr	RYAN YUAN	11/15/06	1:1		A	51940-209	sheet
				chr	BEER FU	11/15/06					4 of 4
				appd	JOSEPH HSIA	11/15/06					
sheet index	revision sheet										

1 | 2

Pro/E

PDM: Rev: A

STAT: Released

Printed: Dec 20, 2010

cage code 2856

4