

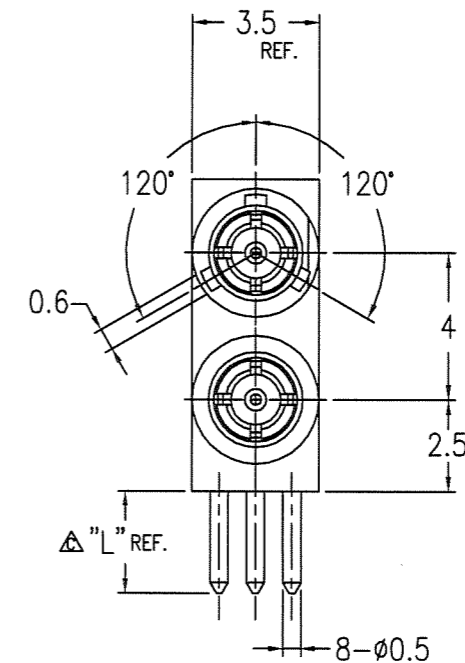
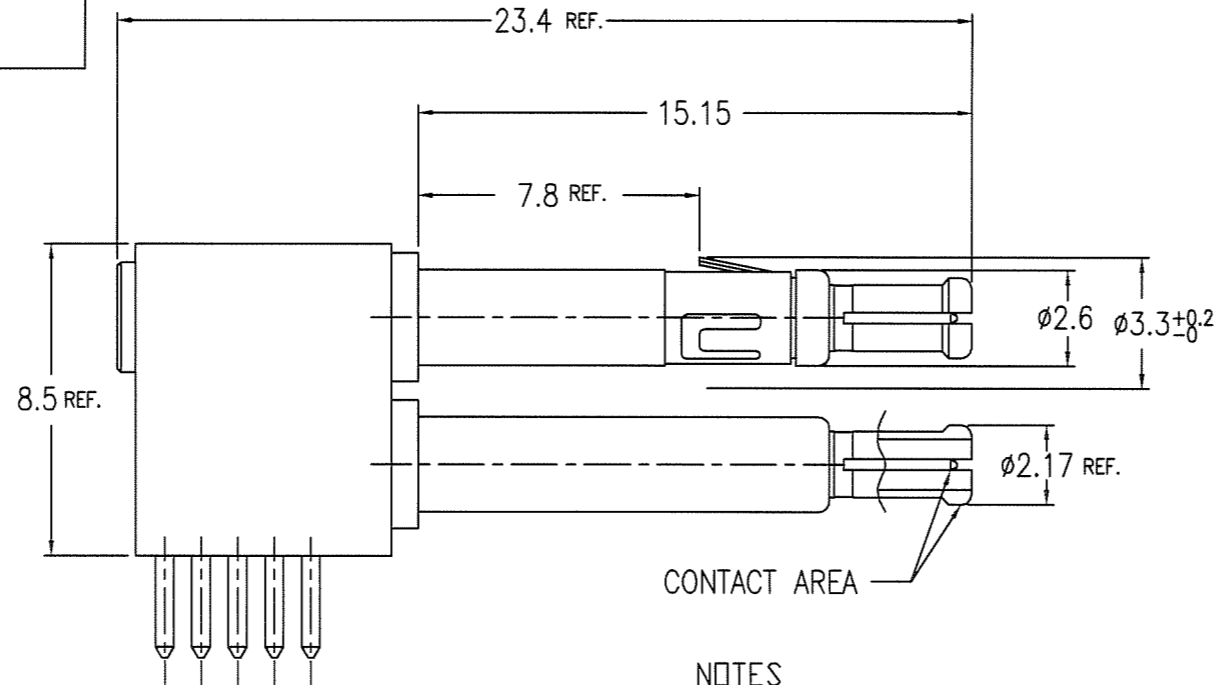
阅读申明

- 1.本站收集的数据手册和产品资料都来自互联网，版权归原作者所有。如读者和版权方有任何异议请及时告之，我们将妥善解决。
- 2.本站提供的中文数据手册是英文数据手册的中文翻译，其目的是协助用户阅读，该译文无法自动跟随原稿更新，同时也可能存在翻译上的不当。建议读者以英文原稿为参考以便获得更精准的信息。
- 3.本站提供的产品资料，来自厂商的技术支持或者使用者的心得体会等，其内容可能存在描述上的差异，建议读者做出适当判断。
- 4.如需与我们联系，请发邮件到marketing@iczoom.com，主题请标有“数据手册”字样。

Read Statement

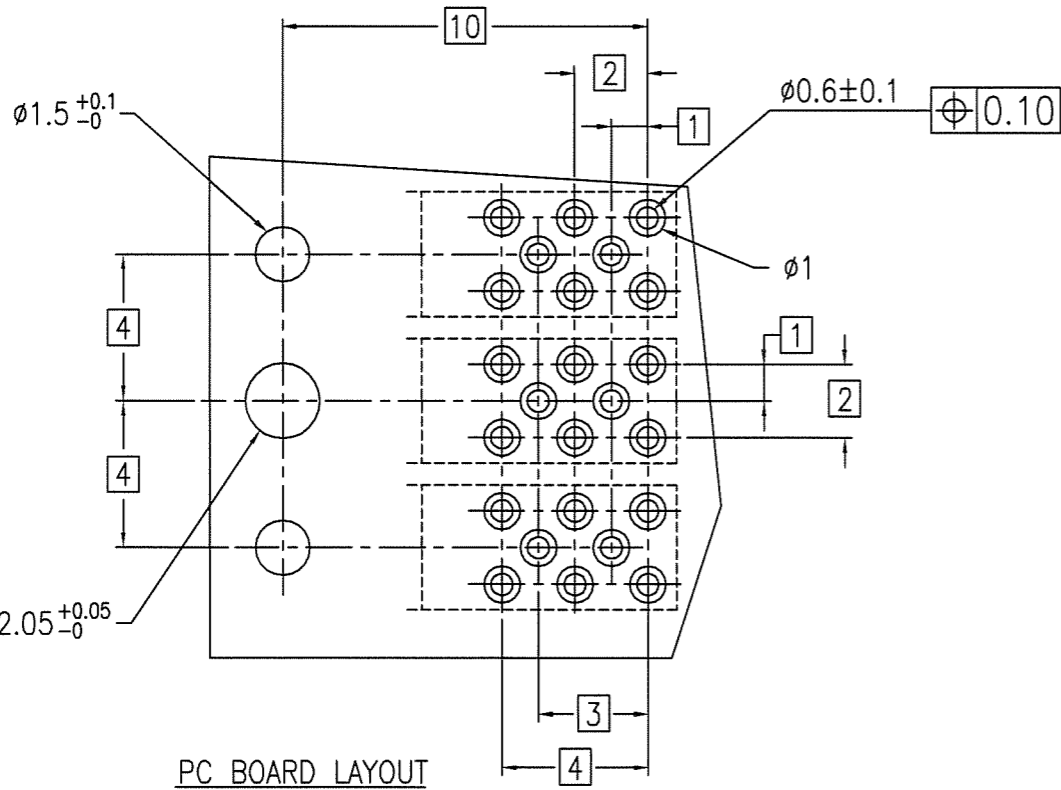
1. The datasheets and other product information on the site are all from network reference or other public materials, and the copyright belongs to the original author and original published source. If readers and copyright owners have any objections, please contact us and we will deal with it in a timely manner.
2. The Chinese datasheets provided on the website is a Chinese translation of the English datasheets. Its purpose is for reader's learning exchange only and do not involve commercial purposes. The translation cannot be automatically updated with the original manuscript, and there may also be improper translations. Readers are advised to use the English manuscript as a reference for more accurate information.
3. All product information provided on the website refer to solutions from manufacturers' technical support or users the contents may have differences in description, and readers are advised to take the original article as the standard.
4. If you have any questions, please contact us at marketing@iczoom.com and mark the subject with "Datasheets" .

PRODUCT NO.	DIM "L"	PCB THICKNESS
73250-001	2.8	1.6mm
-001LF		
73250-002	3.8	2.4mm
-002LF		



NOTES

- MATERIAL : CONTACT BeCu
 SPRING CLIP BeCu
 INSULATOR PTFE
 OTHERS BRASS
- PLATING : CONTACT AREA Au 1.27um MIN. UNDER Ni 1.27um MIN.
 SPRING CLIP Ni 1.27um MIN.
 OTHERS Au FLASH UNDER Ni 1.27um MIN.
- FOR LEAD FREE P/N, THE PRODUCT MEET EUROPEAN UNION DIRECTIVES AND OTHER COUNTRY REGULATIONS AS DESCRIBED IN GS-22-008
- THE HOUSING WILL WITHSTAND EXPOSURE TO 260°C PEAK TEMPERATURE FOR 10 SECONDS IN A CONVECTION, INFRA-RED OR VAPOR PHASE REFLOW OVEN.



mat'l. code ---				surface ISO 1302 ✓	tolerance ISO 406 ISO 1101	projection	product family METRAL	CODE JP
ltr	description	ecn no	dr	date	tolerances unless otherwise specified	MM	title METRAL MINI COAX MALE R/A ASS'Y LONG WIPE TYPE	sheet 1 of 1 size A3
A	RELEASED	J70144	M.N	5/30/'97	angles linear 0.X ±0.3			
B	REVISED	J90036	Y.K	1/27/'99	0.XX ±0.3	scale 5:1	dwg no 73250	Rev. E
C	REVISED	J00689	Y.K	9/5/'00	0°±2'			
D	REVISED	J05-0674	T.S	10/21/'05	dr	M.NAGASE	5/30/'97	type Customer Drawing
E	REVISED	J07-0030	S.D	1/18/'07	enrg	S.OKUDAIRA	1/18/'07	
					chr	R. Shoyji	1/18/'07	
					appd	S. Okudaira	1/18/'07	
sheet index	revision sheet	E	1					



Copyright FCI.