

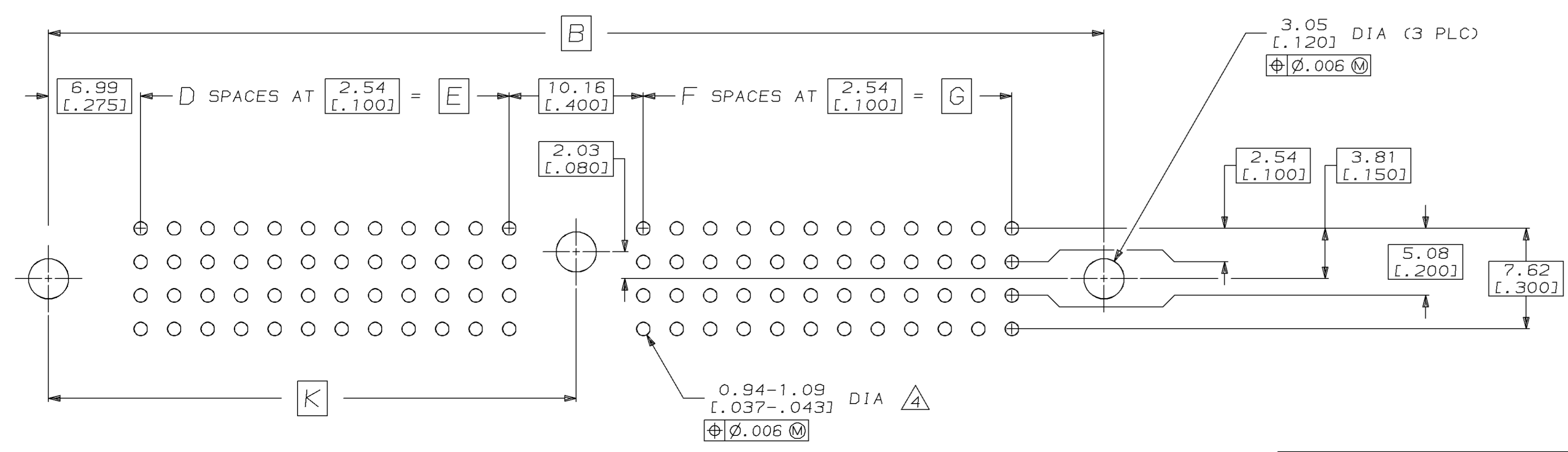
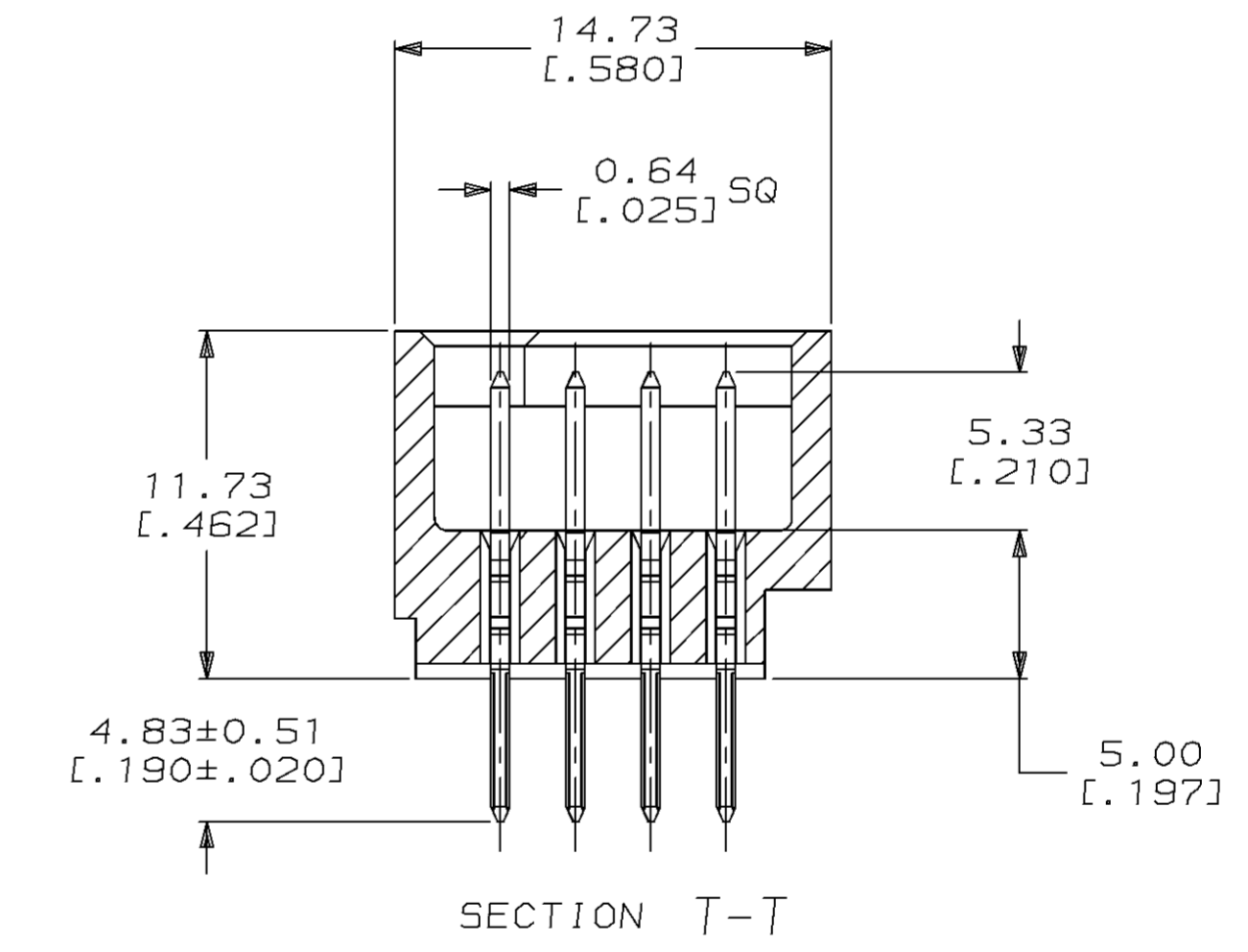
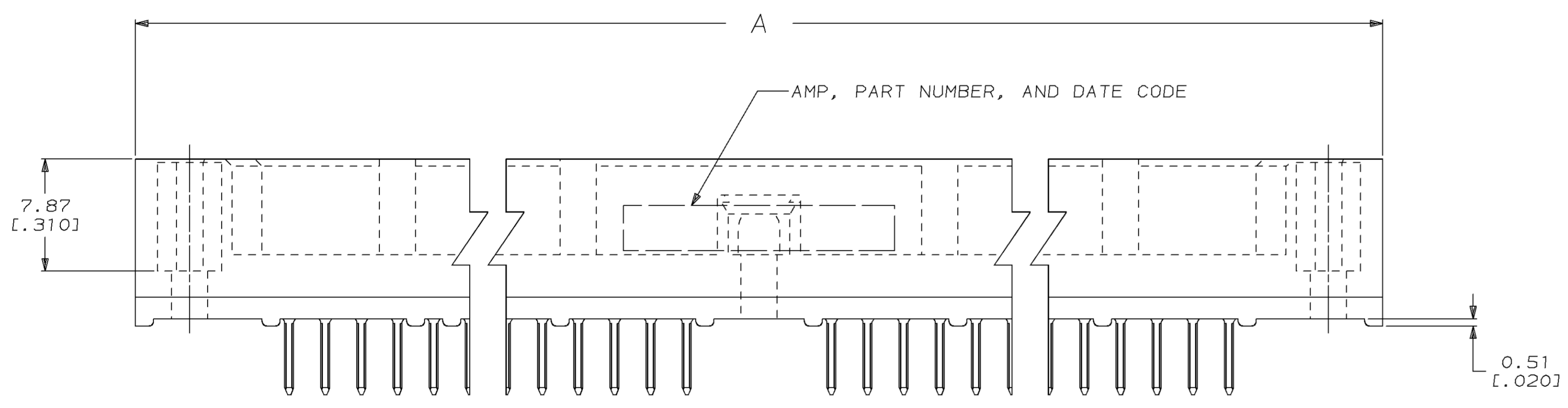
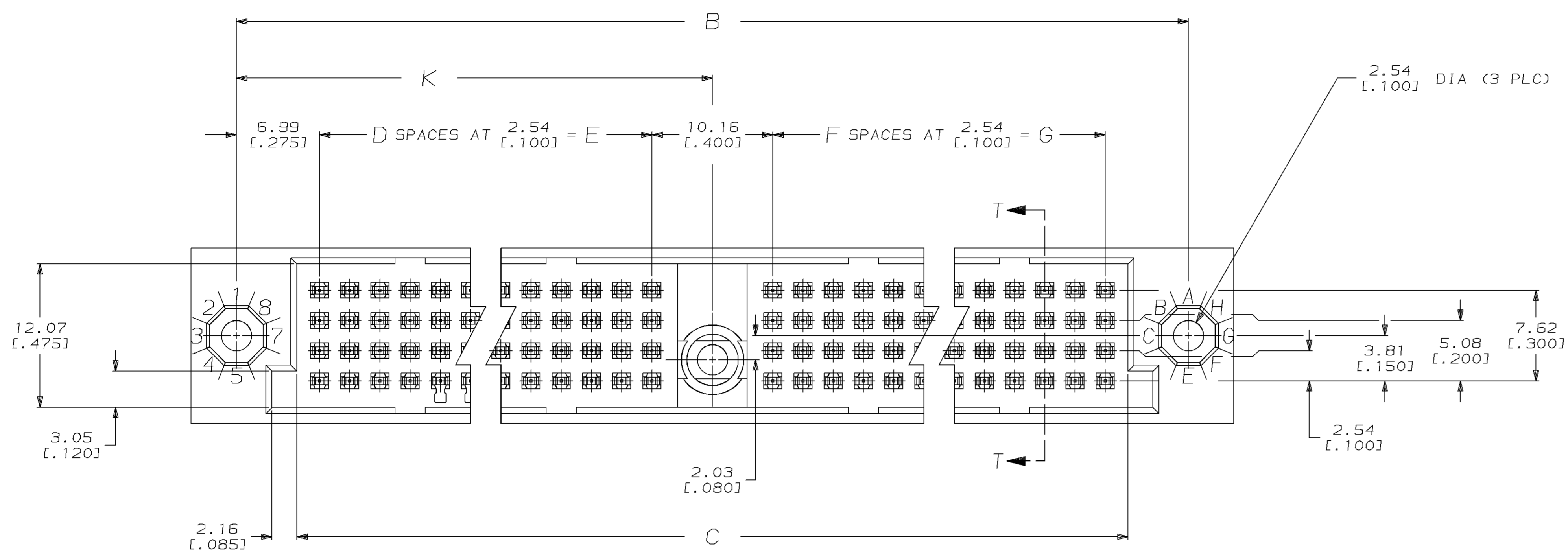
阅读申明

- 1.本站收集的数据手册和产品资料都来自互联网，版权归原作者所有。如读者和版权方有任何异议请及时告之，我们将妥善解决。
- 2.本站提供的中文数据手册是英文数据手册的中文翻译，其目的是协助用户阅读，该译文无法自动跟随原稿更新，同时也可能存在翻译上的不当。建议读者以英文原稿为参考以便获得更精准的信息。
- 3.本站提供的产品资料，来自厂商的技术支持或者使用者的心得体会等，其内容可能存在描述上的差异，建议读者做出适当判断。
- 4.如需与我们联系，请发邮件到marketing@iczoom.com，主题请标有“数据手册”字样。

Read Statement

1. The datasheets and other product information on the site are all from network reference or other public materials, and the copyright belongs to the original author and original published source. If readers and copyright owners have any objections, please contact us and we will deal with it in a timely manner.
2. The Chinese datasheets provided on the website is a Chinese translation of the English datasheets. Its purpose is for reader's learning exchange only and do not involve commercial purposes. The translation cannot be automatically updated with the original manuscript, and there may also be improper translations. Readers are advised to use the English manuscript as a reference for more accurate information.
3. All product information provided on the website refer to solutions from manufacturers' technical support or users the contents may have differences in description, and readers are advised to take the original article as the standard.
4. If you have any questions, please contact us at marketing@iczoom.com and mark the subject with "Datasheets" .

LOC	DIST	P	F	ZONE	LTR	DESCRIPTION	DATE	APPD
AD	25							
					D	ECN AD4218	04/11/90	RKS
					E	RECAVITATED -8	T.S.	11-29-93
					F	REVISED PER ECN 0010-1068-93 TH	11-29-93	GS
					G	REVISED PER ECN 0010-0841-93 T.S.	2-1-94	GS
					H	ECN. 0010-0919-94	TH	6/18/94
					J	PER EC 0471-95	T.S.	4-24-95



RECOMMENDED P.C. BOARD LAYOUT



DO NOT SCALE PRINT. UNLESS SPECIFIED DIMENSIONS IN mm [INCHES] TOLERANCES ON: 2 PLC DEC ± - 3 PLC DEC ± 0.13 [L.005] ANGLES ± -		DR 04/11/90 R.K. SEIFRIED	PART NO	
CHK 8-17-92 F. KIBLER	APPD 8-17-92 DAVE HOFFMAN	APPD 8-17-92 DAVE HOFFMAN	AMP AMP Incorporated Harrisburg, PA 17105-3608	
MATERIAL ① ②	PRODUCT SPEC -	APPLICATION SPEC -	NAME HDI, 4 ROW, PIN ASSEMBLY, ONE CENTER GUIDE PIN, 4.83 [L.190] LONG SOLDER POSTS, .00076 [L.000030] GOLD PLATE	
FINISH ③	SCALE 4:1	SIZE D	CAGE CODE 00779	DRAWING NO 533083
WEIGHT -				SHEET 1 OF 2

LOC		DIST		P		F		ZONE		LTR		REVISIONS			
AD	25											DESCRIPTION	DATE	APPD	
												J	SEE SHEET 1	-	-

- ① HOUSING MATERIAL: THERMOPLASTIC, COLOR-NATURAL.
- ② CONTACT MATERIAL: PHOSPHOR BRONZE.
- ③ CONTACT FINISH: .00127-.00254 [.000050-.000100] NICKEL UNDERPLATE ALL OVER; .00076 [.000030] GOLD PLATE IN CONTACT AREA, TIN-LEAD PLATED POSTS.
- ④ SOLDER PIN POST RECOMMENDED P.C. BOARD HOLE SIZES ARE 0.94-1.09 [.037-.043]; RECOMMENDED PAD DIA IS 1.52 [.060].
- 5. DIMENSIONS IN BRACKETS ARE IN INCHES.
- ⑥ PART NUMBER IS OBSOLETE.

										533083-9
164.46 [6.475]	152.40 [6.000]	60	152.40 [6.000]	60	318.77 [12.550]	328.93 [12.950]	336.55 [13.250]	488		533083-8
156.84 [6.175]	144.78 [5.700]	57	144.78 [5.700]	57	303.53 [11.950]	313.69 [12.350]	321.31 [12.650]	464		533083-7
149.22 [5.875]	137.16 [5.400]	54	137.16 [5.400]	54	288.29 [11.350]	298.45 [11.750]	306.07 [12.050]	440		533083-6
141.60 [5.575]	129.54 [5.100]	51	129.54 [5.100]	51	273.05 [10.750]	283.21 [11.150]	290.83 [11.450]	416		533083-5
133.98 [5.275]	121.92 [4.800]	48	121.92 [4.800]	48	257.81 [10.150]	267.97 [10.550]	275.59 [10.850]	392		533083-4
126.36 [4.975]	114.30 [4.500]	45	114.30 [4.500]	45	242.57 [9.550]	252.73 [9.950]	260.35 [10.250]	368		533083-3
118.74 [4.675]	106.68 [4.200]	42	106.68 [4.200]	42	227.33 [8.950]	237.49 [9.350]	245.11 [9.650]	344		533083-2
111.12 [4.375]	99.06 [3.900]	39	99.06 [3.900]	39	212.09 [8.350]	222.25 [8.750]	229.87 [9.050]	320		533083-1
K	G	F	E	D	C	B	A	POSN		PART NUMBER

DO NOT SCALE PRINT. UNLESS SPECIFIED DIMENSIONS IN mm [INCHES] TOLERANCES ON: 2 PLC DEC ± - 3 PLC DEC ± 0.13 [.005] ANGLES ± -		DR 04/11/90 R.K. SEIFRIED CHK 8-17-92 F. KIBLER APPD 8-17-92 DAVE HOFFMAN APPD 8-17-92 DAVE HOFFMAN PRODUCT SPEC -		AMP AMP Incorporated Harrisburg, PA 17105-3608	
MATERIAL ① ②		NAME HDI, 4 ROW, PIN ASSEMBLY, ONE CENTER GUIDE PIN, 4.83 [.190] LONG SOLDER POSTS, .00076 [.000030] GOLD PLATE		DRAWING NO 533083	
FINISH ③		APPLICATION SPEC -		SIZE D	CAGE CODE 00779
WEIGHT		SCALE 4:1		SHEET 2 OF 2	

