

## 阅读申明

- 1.本站收集的数据手册和产品资料都来自互联网，版权归原作者所有。如读者和版权方有任何异议请及时告之，我们将妥善解决。
- 2.本站提供的中文数据手册是英文数据手册的中文翻译，其目的是协助用户阅读，该译文无法自动跟随原稿更新，同时也可能存在翻译上的不当。建议读者以英文原稿为参考以便获得更精准的信息。
- 3.本站提供的产品资料，来自厂商的技术支持或者使用者的心得体会等，其内容可能存在描述上的差异，建议读者做出适当判断。
- 4.如需与我们联系，请发邮件到marketing@iczoom.com，主题请标有“数据手册”字样。

## Read Statement

1. The datasheets and other product information on the site are all from network reference or other public materials, and the copyright belongs to the original author and original published source. If readers and copyright owners have any objections, please contact us and we will deal with it in a timely manner.
2. The Chinese datasheets provided on the website is a Chinese translation of the English datasheets. Its purpose is for reader's learning exchange only and do not involve commercial purposes. The translation cannot be automatically updated with the original manuscript, and there may also be improper translations. Readers are advised to use the English manuscript as a reference for more accurate information.
3. All product information provided on the website refer to solutions from manufacturers' technical support or users the contents may have differences in description, and readers are advised to take the original article as the standard.
4. If you have any questions, please contact us at marketing@iczoom.com and mark the subject with "Datasheets" .

# Customer Information Sheet

DRAWING No.: M20-611XXXX

SHEET 2 OF 2

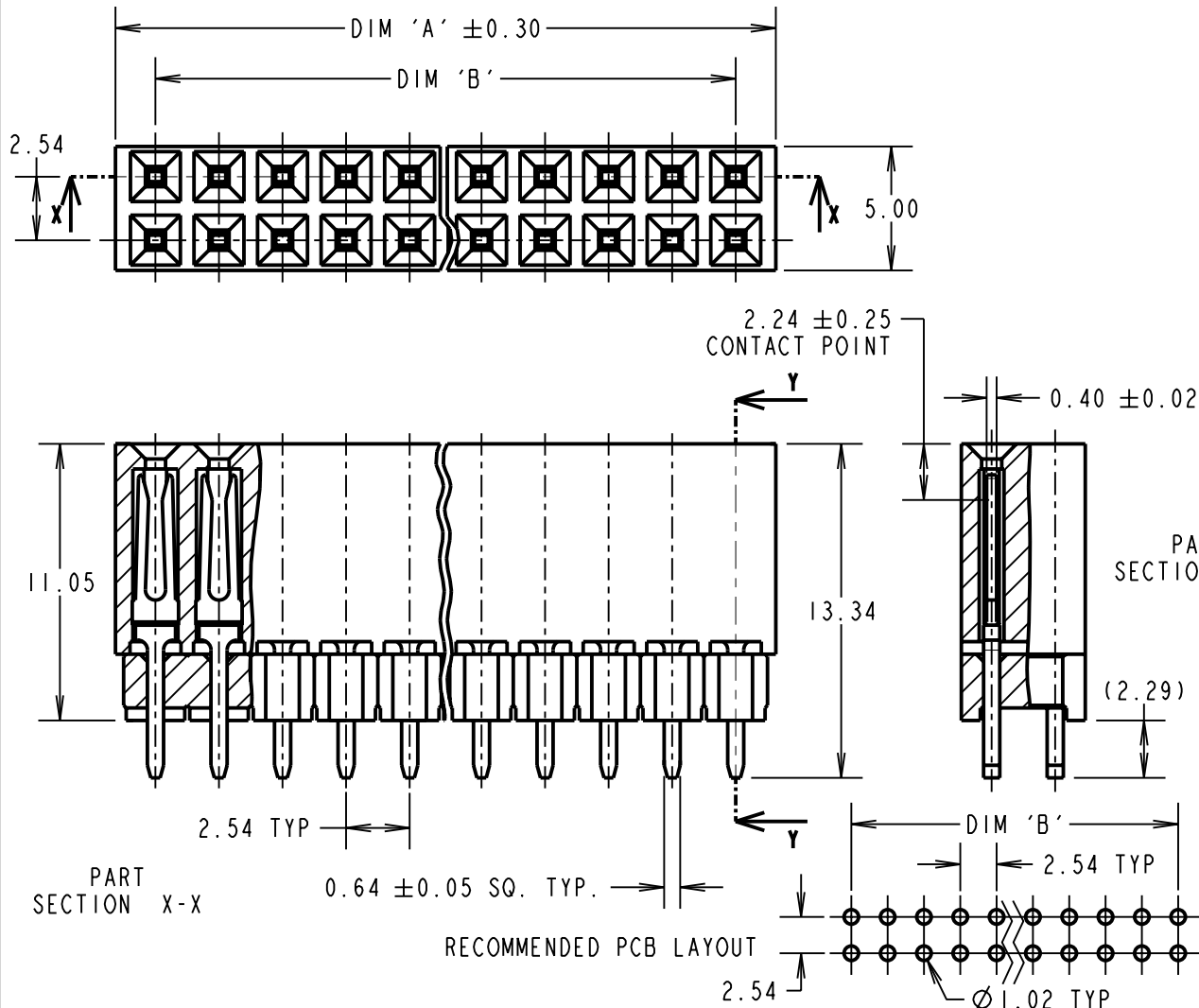
IF IN DOUBT - ASK

©

NOT TO SCALE

THIRD ANGLE PROJECTION

ALL DIMENSIONS IN mm



**SPECIFICATION:**

**MATERIAL:**

MOULDING =

05 FINISH = GLASS FILLED POLYESTER UL94V-0 BLACK

45 FINISH = HIGH TEMP NYLON 6T UL94V-0, BLACK

CONTACTS = PHOSPHOR BRONZE

**FINISH:**

CONTACTS = 0.08µ GOLD OVER NICKEL

**ELECTRICAL:**

CURRENT RATING = 3A MAX

CONTACT RESISTANCE = 30 MILLIOHMS MAX

INSULATION RESISTANCE = 5,000 MEGOHMS MIN

VOLTAGE PROOF = 1,000V AC FOR 1 MINUTE

**MECHANICAL:**

INSERTION FORCE (PER CONTACT) = 2.0N/MAX

WITHDRAWAL FORCE (PER CONTACT) = 0.3N MIN

**ENVIRONMENTAL:**

TEMPERATURE RANGE = -55°C TO +105°C

**PACKING:**

TUBE

No. OF WAYS PER ROW	DIM 'A'	DIM 'B'
20	51.46	48.26
32	81.94	78.74

**NOTES:**

1. ALL TOLERANCES ARE ±0.20 UNLESS OTHERWISE STATED.

**ORDER CODE:**

**M20-611XXXX**

No. OF WAYS PER ROW

20, 32

**FINISH:**

05 = GOLD

45 = GOLD (ROHS COMPLIANT)

CP	7	03.12.09	10582
NAME	ISS.	DATE	C/NOTE
APPROVED: C.PENROSE			
CHECKED: R.ADDE			
DRAWN: W.J.BOURNE			
CUSTOMER REF.:			
ASSEMBLY DRG:			

**HARWIN**

HARWIN USA  
TEL: 603 893 5376  
FAX: 603 893 5396  
mis@harwin.com

HARWIN Europe (UK)  
TEL: 023 9231 4545  
FAX: 023 9231 4590  
mis@harwin.co.uk

HARWIN Asia  
TEL: +65 6 779 4909  
FAX: +65 6 779 3868  
mis@harwin.com.sg

THIS DRAWING AND ANY INFORMATION OR DESCRIPTIVE MATTER SET OUT HEREON ARE CONFIDENTIAL AND COPYRIGHT PROPERTY OF THE HARWIN GROUP AND MUST NOT BE DISCLOSED, LOANED, COPIED OR USED FOR MANUFACTURING, TENDERING OR FOR ANY OTHER PURPOSE WITHOUT THEIR WRITTEN PERMISSION.

**TOLERANCES**  
X. = ±1mm  
X.X = ±0.25mm  
X.XX = ±0.10mm  
X.XXX = ±0.01mm  
**ANGLES = ±5°**  
**UNLESS STATED**

**MATERIAL:**  
SEE ABOVE  
**FINISH:** SEE ABOVE  
**S/AREA:** mm<sup>2</sup>

**TITLE:**  
PCI04 CONNECTOR  
(NON-STACKTHROUGH)  
**DRAWING NUMBER:**  
**M20-611XXXX**

SHT  
2 OF 2