

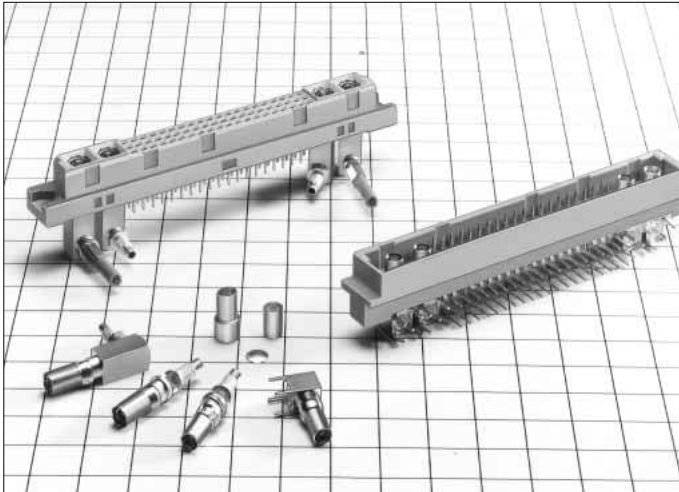
## 阅读申明

- 1.本站收集的数据手册和产品资料都来自互联网，版权归原作者所有。如读者和版权方有任何异议请及时告之，我们将妥善解决。
- 2.本站提供的中文数据手册是英文数据手册的中文翻译，其目的是协助用户阅读，该译文无法自动跟随原稿更新，同时也可能存在翻译上的不当。建议读者以英文原稿为参考以便获得更精准的信息。
- 3.本站提供的产品资料，来自厂商的技术支持或者使用者的心得体会等，其内容可能存在描述上的差异，建议读者做出适当判断。
- 4.如需与我们联系，请发邮件到marketing@iczoom.com，主题请标有“数据手册”字样。

## Read Statement

1. The datasheets and other product information on the site are all from network reference or other public materials, and the copyright belongs to the original author and original published source. If readers and copyright owners have any objections, please contact us and we will deal with it in a timely manner.
2. The Chinese datasheets provided on the website is a Chinese translation of the English datasheets. Its purpose is for reader's learning exchange only and do not involve commercial purposes. The translation cannot be automatically updated with the original manuscript, and there may also be improper translations. Readers are advised to use the English manuscript as a reference for more accurate information.
3. All product information provided on the website refer to solutions from manufacturers' technical support or users the contents may have differences in description, and readers are advised to take the original article as the standard.
4. If you have any questions, please contact us at marketing@iczoom.com and mark the subject with "Datasheets" .

## PCN10F Series (Product Compliant with DIN Standard: Coaxial and High Current Contact Composite Type)



### ■ Features

#### 1. Compliant with the DIN standard

The coaxial connector complies with DIN41612 standard.

#### 2. Variation in number of contacts

Coaxial and high current contact insertion holes 2, 4, 6, and 8 contacts are available.

#### 3. Reliable contact construction

PCN10F series is constructed with high reliable double-sided 2 point contacts.

#### 4. Broad applications

The receptacle is provided with solder type and solderless connection type. The contact type is also provided with straight, right angle and wrapping types.

The high current contact is provided with 10A and 20A types.

#### 5. High Conformity

High frequency characteristics are 1 GHz and V.S.W.R.1.2 maximum.

### ■ Product Specifications

Rating	Current rating: 2A Voltage rating: 300V AC	Operating Temperature Range: -30 to +85°C (Note 1) Operating Relative Humidity: 40 to 80%	Storage Temperature Range: -10 to +60°C (Note 2) Operating Humidity Range: 40 to 70% (Note 2)
--------	---	--	--

Item	Specification	Condition
1. Insulation Resistance	10 <sup>6</sup> M ohms	100V DC
2. Withstanding Voltage	No flashover or insulation breakdown.	1000V AC/1 minute.
3. Contact Resistance	20m ohms max.	0.1A
4. Vibration	No electrical discontinuity of 10 $\mu$ s or more	Frequency: 10 to 55 Hz, single amplitude of 0.75 mm, 2 hours in each of the 3 directions.
5. Humidity (Steady state)	Insulation resistance 10 <sup>6</sup> M ohms min.	96 hours at temperature of 40°C and humidity of 90% to 95%
6. Temperature Cycle	No damage, cracks, or parts looseness.	(-65°C : 30 minutes → 15 to 35°C : 5 minutes max. → 125°C : 30 minutes → 15 to 35°C : 5 minutes max.) 5 cycles
7. Durability (Mating/un-mating)	Contact resistance : 20m ohms max.	500 cycles
8. Resistance to Soldering heat	No deformation of components affecting performance.	Manual soldering: 350°C for 3 seconds

Note 1: Includes temperature rise caused by current flow.

Note 2: The term "storage" refers to products stored for long period of time prior to mounting and use. Operating Temperature Range and Humidity range covers non conducting condition of installed connectors in storage, shipment or during transportation.

Note 3: Information contained in this catalog represents general requirements for this Series. Contact us for the drawings and specifications for a specific part number shown.

### ■ Applications

Measurement instrument, control equipment, exchange, etc.

### ■ Material

Parts	Material	Finish	Remarks
Insulator	PBT	Gray	UL94V-0
Contact	Pin header	Contact area: Gold plated Remainder: Tin plated	_____
	Receptacle		

## ■Ordering Information

### ●Plug

**PCN10F    A    -    \*    P    -    2.54    DS**

①            ②            ③    ④            ⑤            ⑥

① Series name : PCN10F	④ P : Plug
② Blank : Board edge on mount type A : Board on mount type	⑤ Contact pitch : 2.54mm
③ Number of contacts : 24(8), 42(6), 60(4), 78(2) Values in parentheses indicates the number of coaxial connector and high current contact mounting holes.	⑥ Contact type : DS : Right angle type

### ●Receptacle

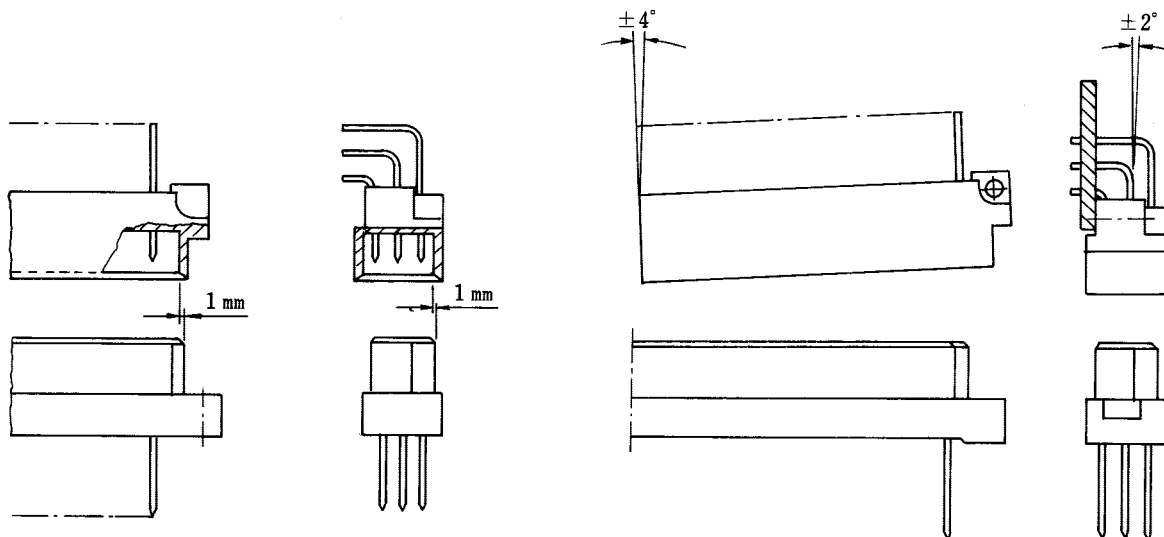
**PCN 10F A - \* S - 2.54 DSA**

①            ②            ③            ④    ⑤            ⑥            ⑦

① Series name : PCN	④ Number of contacts : 24(8), 42(6), 60(4), 78(2) Values in parentheses indicates the number of coaxial connector and high current contact mounting holes.
② Series No. : 10F (Soldering type) 11F (Solderless connection type)	⑤ S : Receptacle
③ Contact type: Straight Blank : Coaxial cable connection type A : Coaxial connector through hole type Contact type: Right angle A : Board on mount type B : Board edge on mount type	⑥ Contact pitch : 2.54mm
	⑦ Contact type PCN10F DS : right angle type DSA : Straight type WA : Wrapping type (0.5x0.7W) WB : Wrapping type (0.5x0.5W) PCN11F PFB-2 : Short press fit type WB-2 : Wrapping press fit type

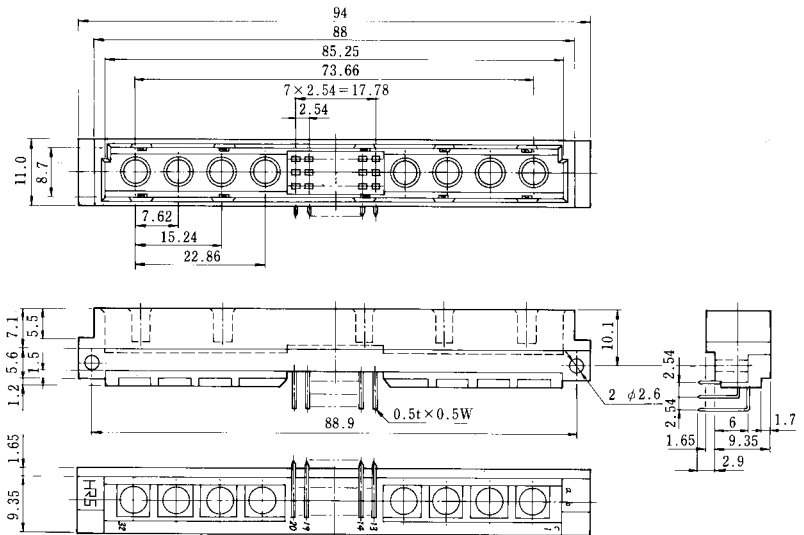
## ◆DIN Connector Mating Condition

Please be sure to utilize the DIN connector of Hirose within the range as shown below.

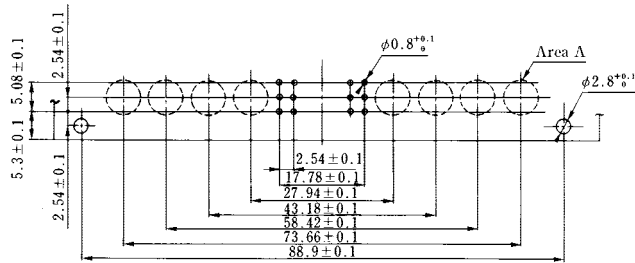


## ■ Plug Right Angle Type (Board edge on mount type)

**PCN10F-24P-2.54DS(72)**  
**CL583-0341-0-72**

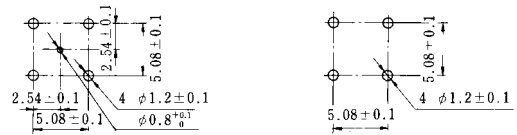


### ◆ PCB mounting pattern

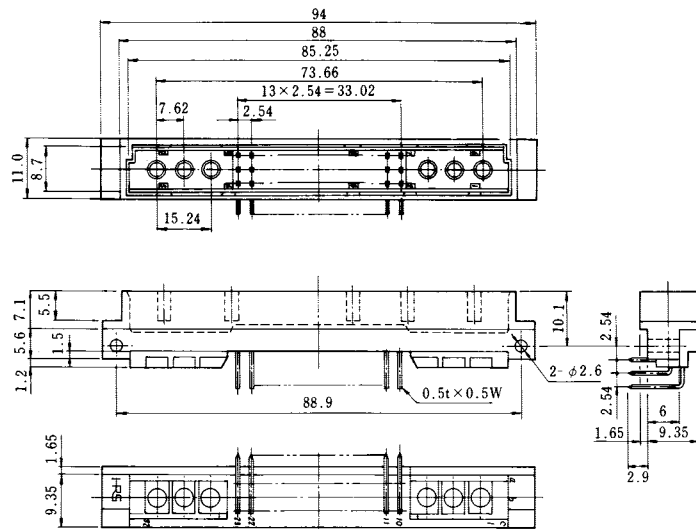


### ◆ Area A dimensions

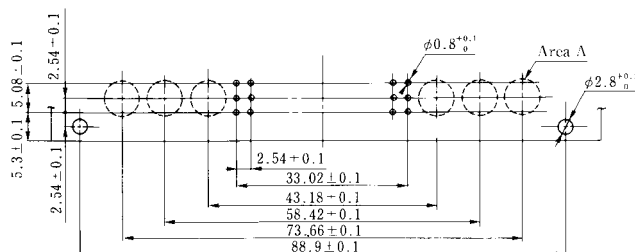
- Coaxial connector (PO51-LR-PC-1(40))
- High current contact (Power contact PC(72), PCA(72))



**PCN10F-42P-2.54DS(72)**  
**CL583-0145-1-72**

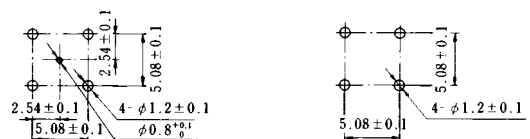


### ◆ PCB mounting pattern



### ◆ Area A dimensions

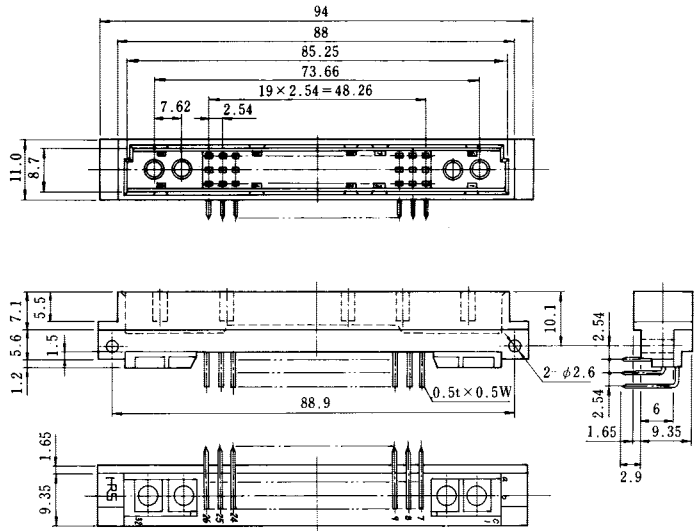
- Coaxial connector (PO51-LR-PC-1(40))
- High current contact (Power contact PC(72), PCA(72))



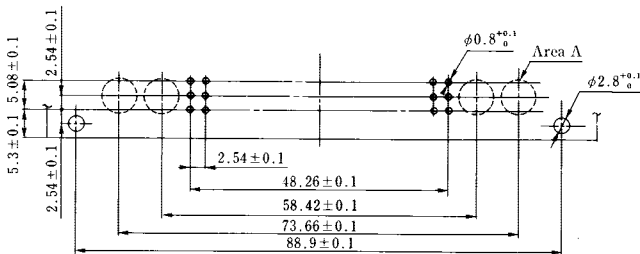
**PCN10F-60P-2.54DS(72)**  
**CL583-0303-0-72**



RoHS Compliant

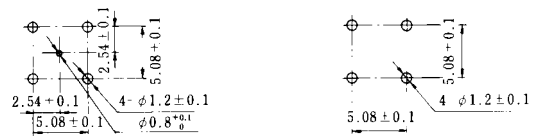


◆ PCB mounting pattern



◆ Area A dimensions

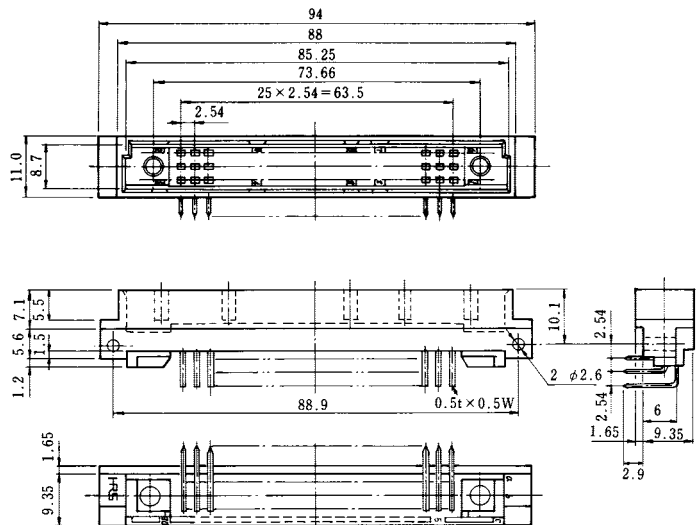
- Coaxial connector (PO51-LR-PC-1(40))
- High current contact (Power contact PC(72), PCA(72))



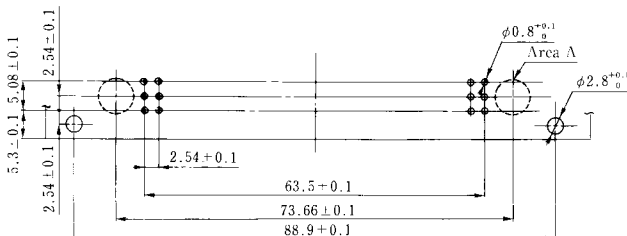
**PCN10F-78P-2.54DS(72)**  
**CL583-0321-2-72**



RoHS Compliant

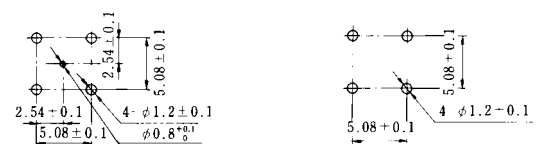


◆ PCB mounting pattern



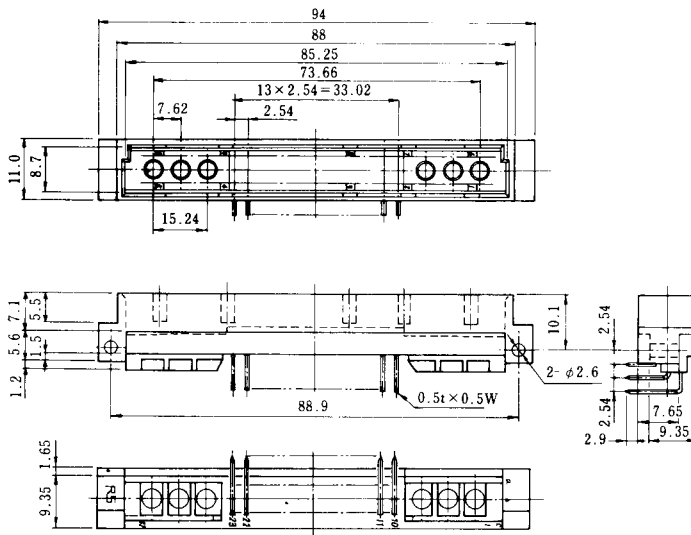
◆ Area A dimensions

- Coaxial connector (PO51-LR-PC-1(40))
- High current contact (Power contact PC(72), PCA(72))

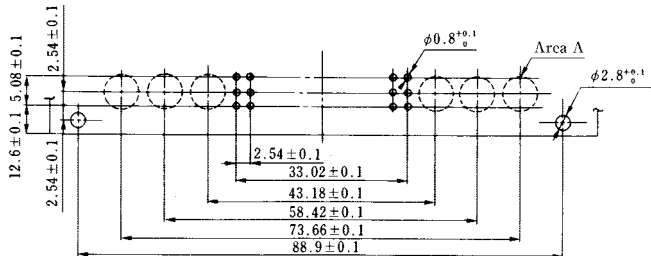


## ■ Plug Right Angle Type (Board on mount type)

**PCN10FA-42P-2.54DS(72)**  
**CL583-0148-0-72**

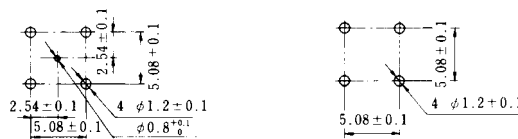


### ◆ PCB mounting pattern

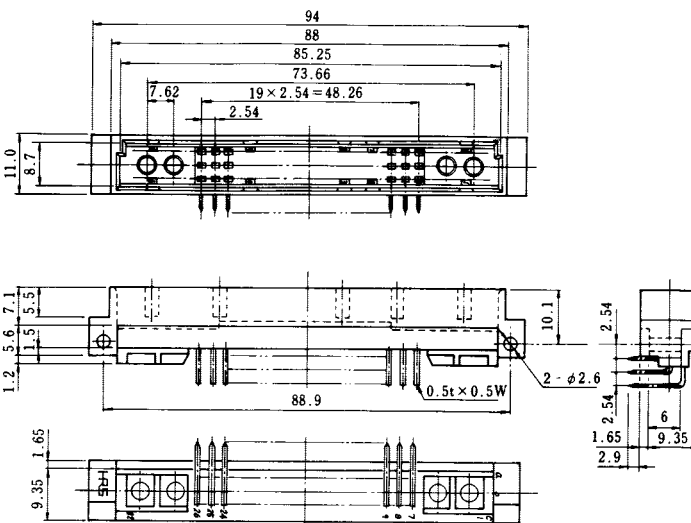


### ◆ Area A dimensions

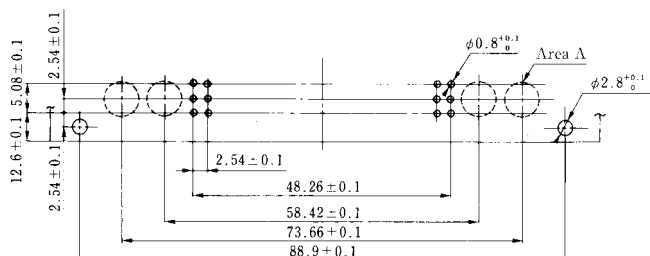
- Coaxial connector (PO51-LR-PC-A(40))
- High current contact (Power contact PC(72), PCA(72))



**PCN10FA-60P-2.54DS(72)**  
**CL583-0304-3-72**

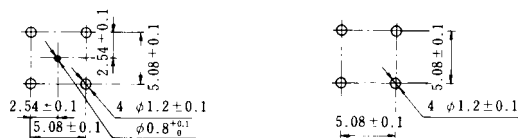


### ◆ PCB mounting pattern



### ◆ Area A dimensions

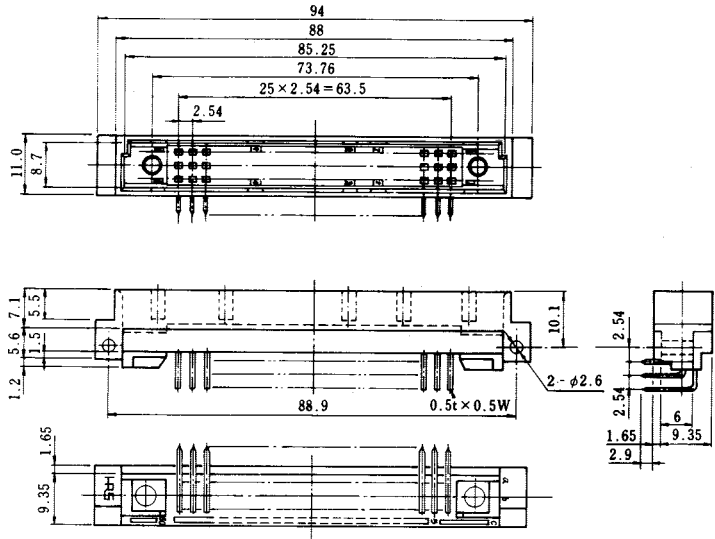
- Coaxial connector (PO51-LR-PC-A(40))
- High current contact (Power contact PC(72), PCA(72))



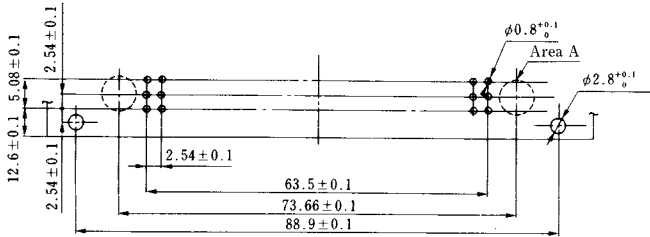
PCN10FA-78P-2.54DS(72)  
CL583-0322-5-72



RoHS Compliant

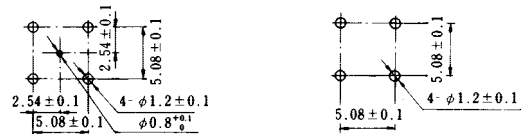


◆ PCB mounting pattern



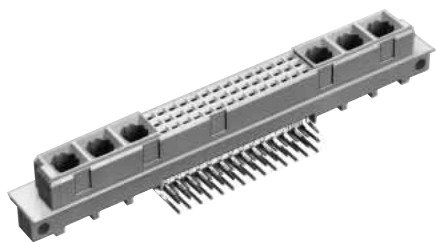
◆ Area A dimensions

- Coaxial connector (PO51-LR-PC-1(40))
- High current contact (Power contact PC(72), PCA(72))

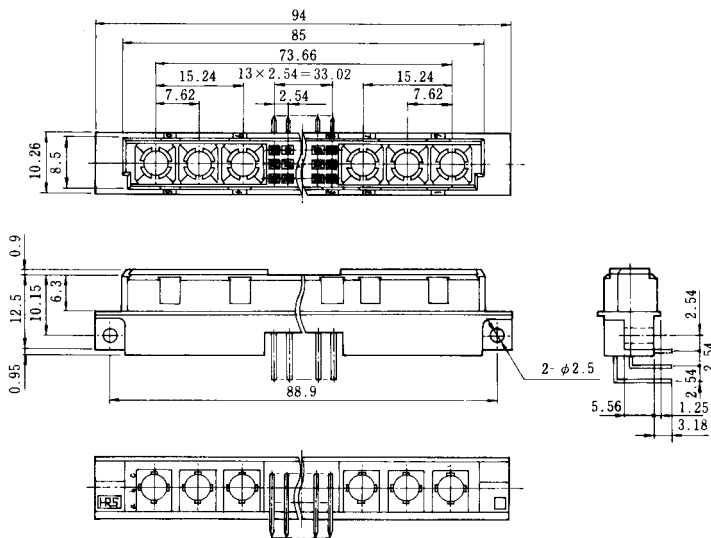


## ■ Receptacle Right Angle Type (Board edge on mount type)

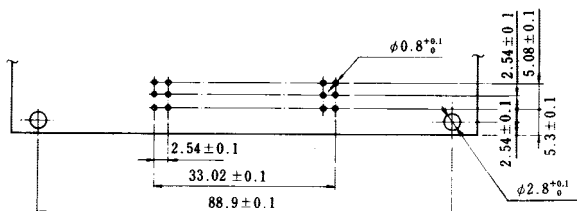
PCN10FB-42S-2.54DS(72)  
CL583-0334-4-72



RoHS Compliant



### ◆ PCB mounting pattern

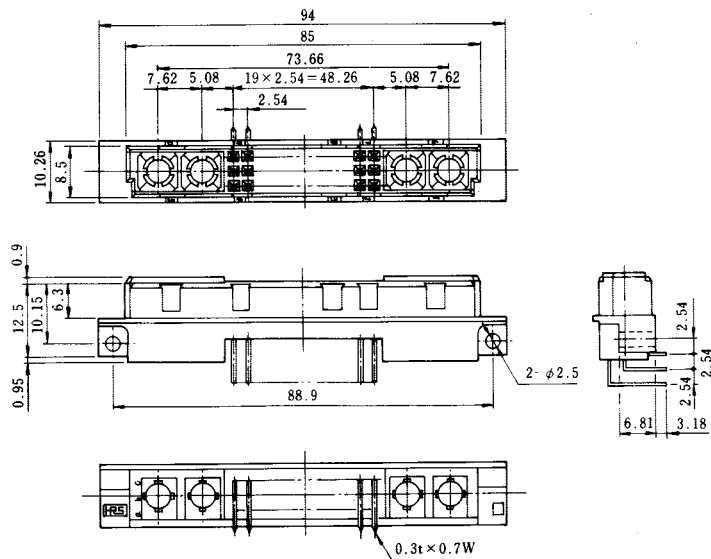


## ■ Receptacle Right Angle Type (Board on mount type)

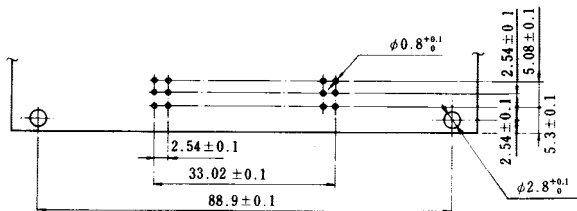
PCN10FA-60S-2.54DS(72)  
CL583-0337-2-72



RoHS Compliant



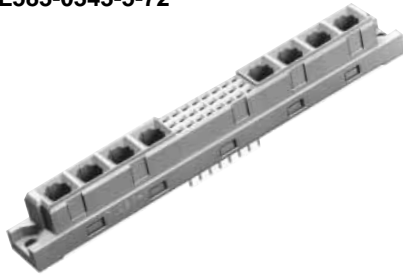
### ◆ PCB mounting pattern



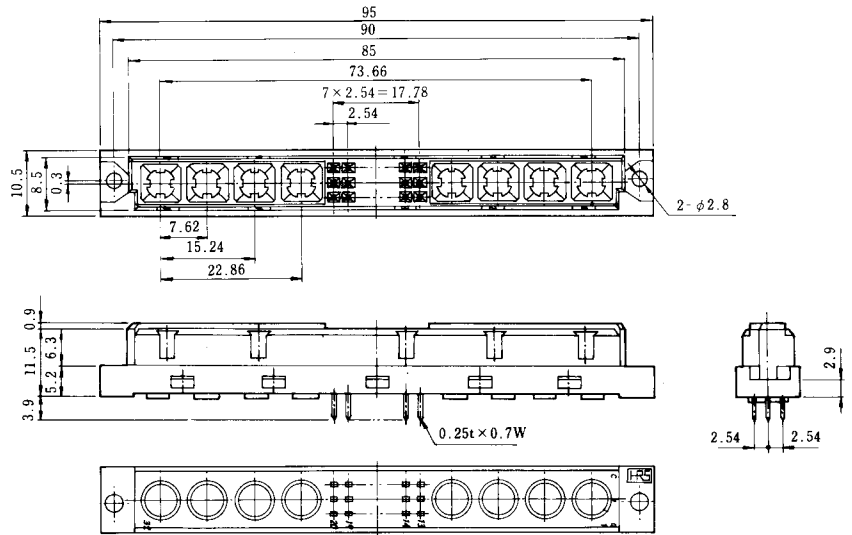


## ■ Receptacle Straight Type (Coaxial connector/high current cable)

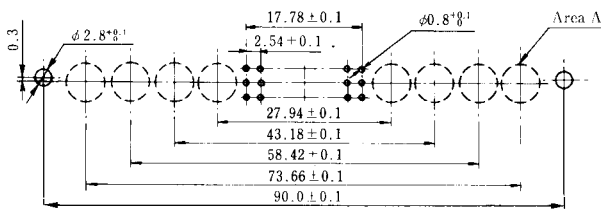
**PCN10F-24S-2.54DSA(72)**  
**CL583-0343-5-72**



RoHS Compliant

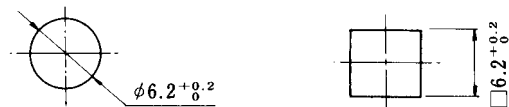


### ◆ PCB mounting pattern



### ◆ Area A dimensions

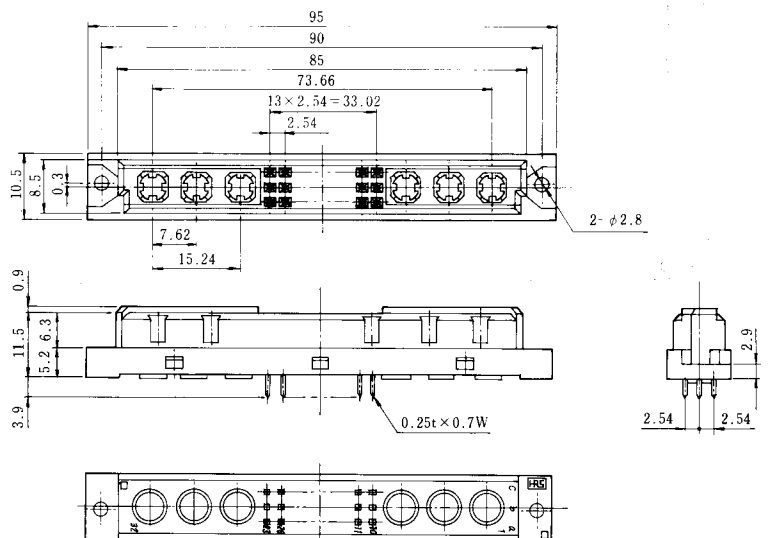
- Coaxial connector (PO51-P-1.5-1A(40))
- Coaxial connector High current contact (Power contact 10S, 20S)
- Coaxial connector (PO51-LP-1.5-A(40))



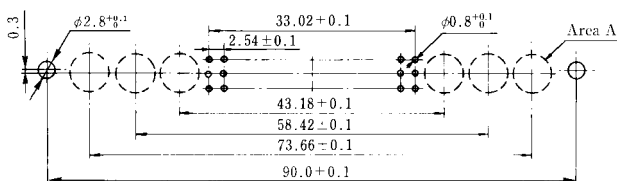
**PCN10F-42S-2.54DSA(72)**  
**CL583-0142-3-72**



RoHS Compliant



### ◆ PCB mounting pattern

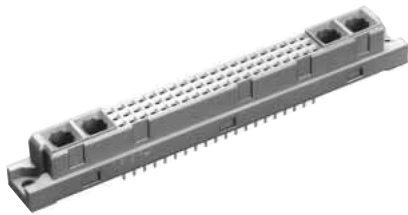


### ◆ Area A dimensions

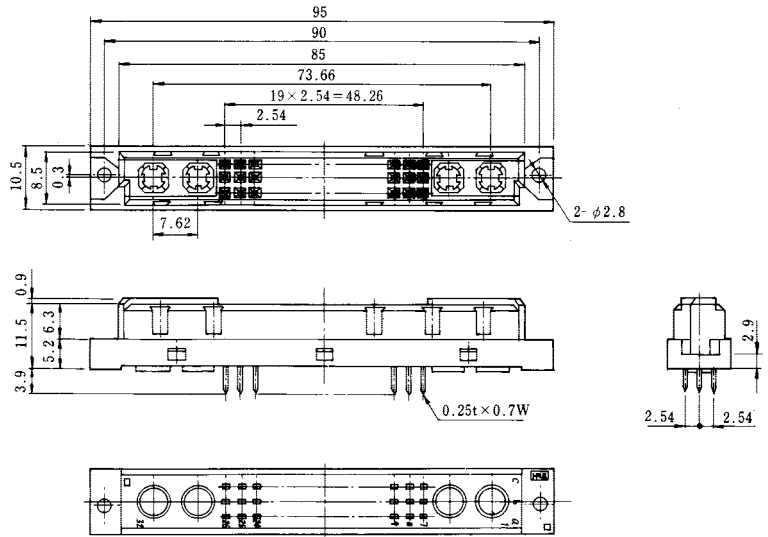
- Coaxial connector (PO51-P-1.5-1A(40))
- Coaxial connector High current contact (Power contact 10S, 20S)
- Coaxial connector (PO51-LP-1.5-A(40))



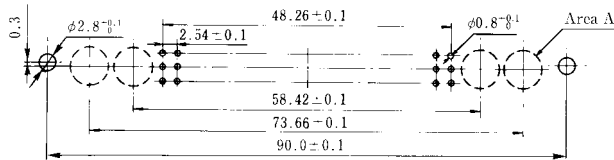
**PCN10F-60S-2.54DSA(72)**  
**CL583-0305-6-72**



RoHS Compliant



◆ PCB mounting pattern

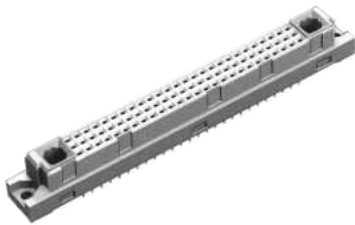


◆ Area A dimensions

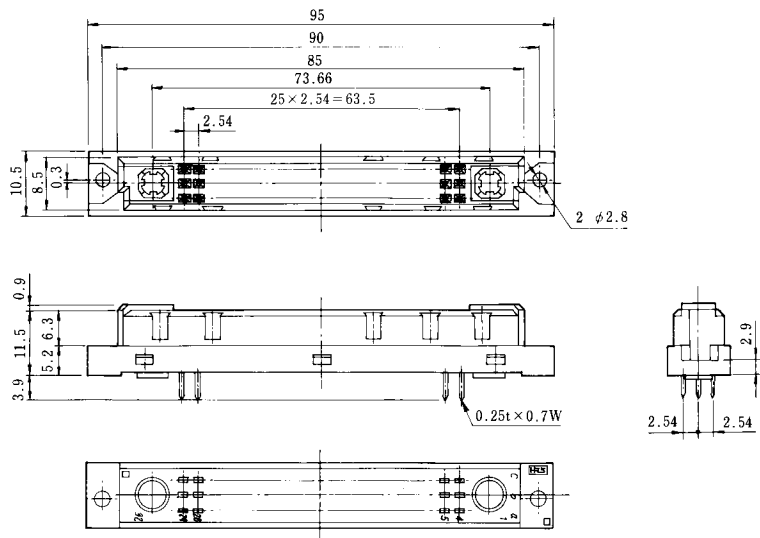
- Coaxial connector (PO51-P-1.5-1A(40)) High current contact (Power contact 10S, 20S)
- Coaxial connector (PO51-LP-1.5-A(40))



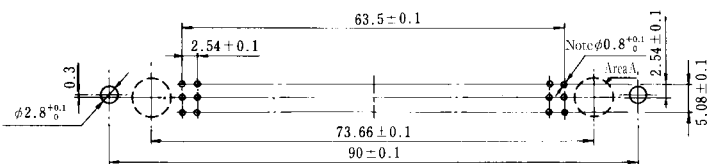
**PCN10F-78S-2.54DSA(72)**  
**CL583-0323-8-72**



RoHS Compliant

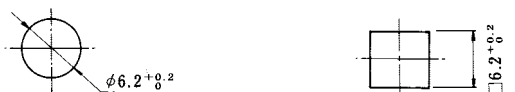


◆ PCB mounting pattern



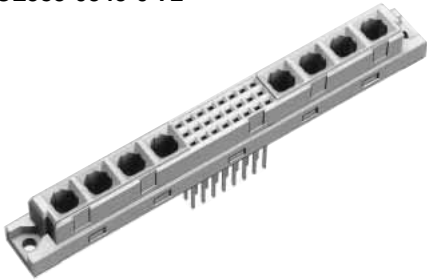
◆ Area A dimensions

- Coaxial connector (PO51-P-1.5-1A(40)) High current contact (Power contact 10S, 20S)
- Coaxial connector (PO51-LP-1.5-A(40))

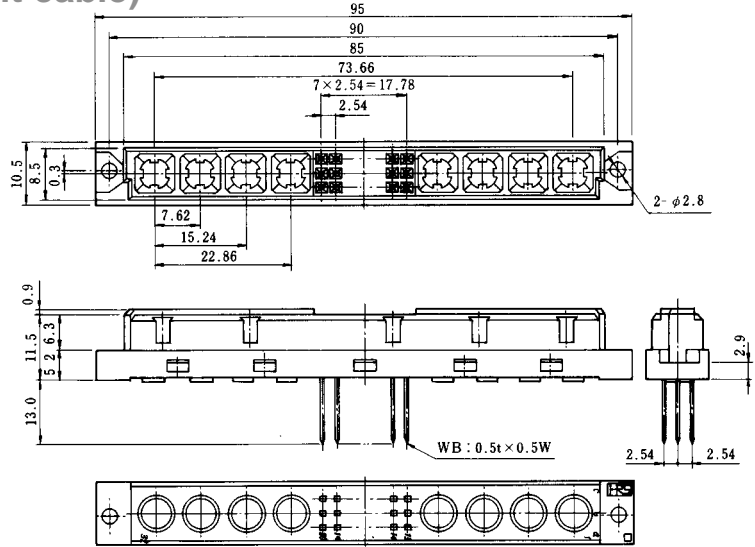


## ■ Receptacle Wrapping Type (Coaxial connector/high current cable)

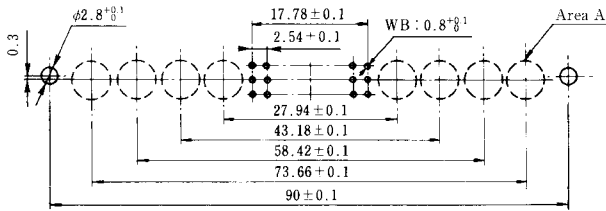
PCN10F-24S-2.54WB(72)  
CL583-0345-0-72



RoHS Compliant

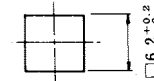
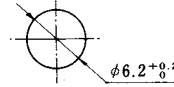


### ◆ PCB mounting pattern



### ◆ Area A dimensions

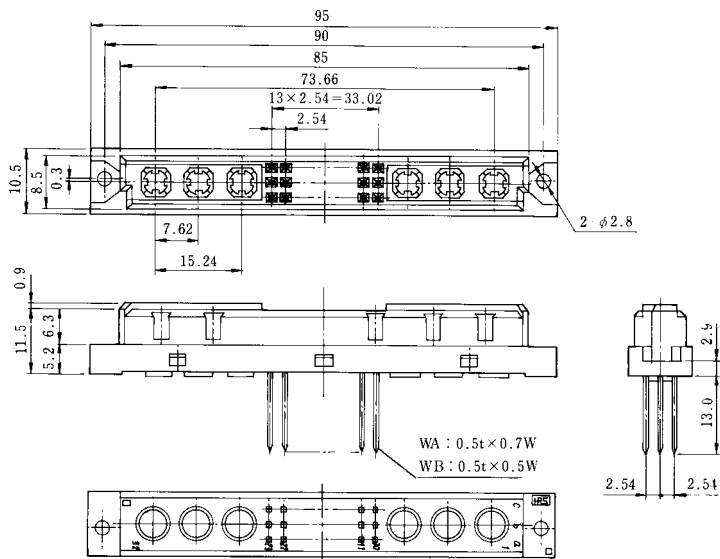
- Coaxial connector (PO51-P-1.5-1A(40)) High current contact (Power contact 10S, 20S)
- Coaxial connector (PO51-LP-1.5-A(40))



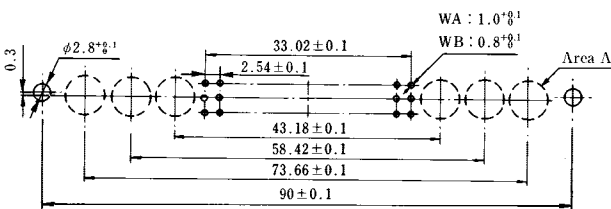
PCN10F-42S-2.54WA(72)  
CL583-0151-4-72  
PCN10F-42S-2.54WB(72)  
CL583-0271-6-72



RoHS Compliant

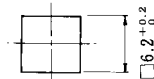
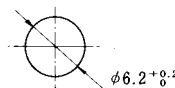


### ◆ PCB mounting pattern



### ◆ Area A dimensions

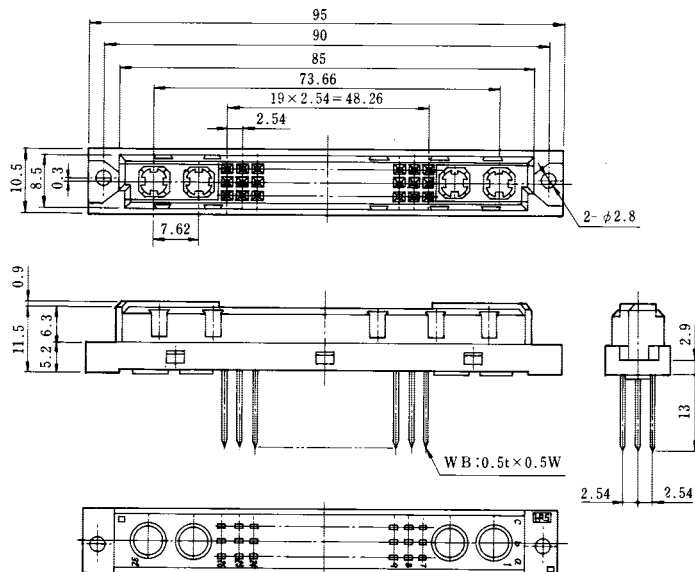
- Coaxial connector (PO51-P-1.5-1A(40)) High current contact (Power contact 10S, 20S)
- Coaxial connector (PO51-LP-1.5-A(40))



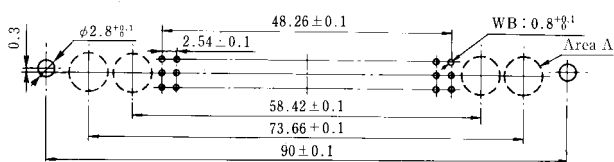
**PCN10F-60S-2.54WB(72)**  
**CL583-0307-1-72**



**RoHS Compliant**

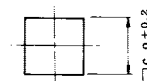
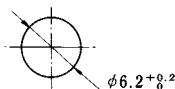


◆ PCB mounting pattern



◆ Area A dimensions

- Coaxial connector (PO51-P-1.5-1A(40)) High current contact (Power contact 10S, 20S)
- Coaxial connector (PO51-LP-1.5-A(40))

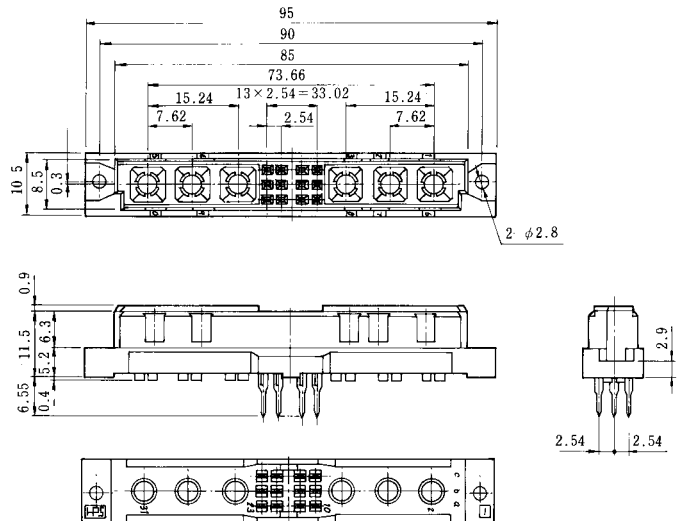


## ■ Receptacle Solderless Connection Type

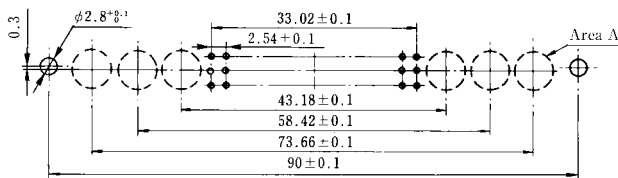
PCN11F-42S-2.54PFB-2(72)  
CL583-1185-1-72



RoHS Compliant



### ◆ PCB mounting pattern

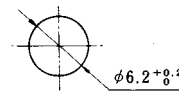


Applicable board:  $t=2.4\text{mm}$   
Through-hole finish diameter:  $\phi 0.9 \pm 0.08\text{mm}$   
(For details, refer to PCN11 series.)

### ◆ Area A dimensions

● Coaxial connector (PO51-P-1.5-1A(40))  
High current contact  
(Power contact 10S, 20S)

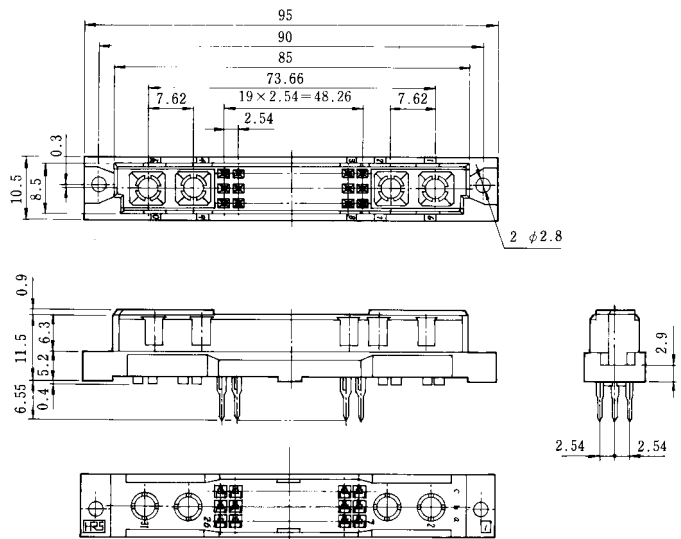
● Coaxial connector (PO51-LP-1.5-A(40))



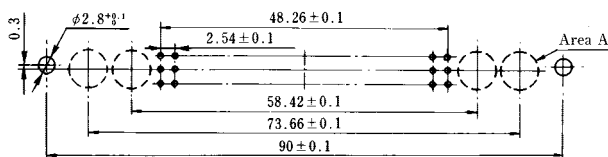
PCN11F-60S-2.54PFB-2(72)  
CL583-1187-7-72



RoHS Compliant



### ◆ PCB mounting pattern

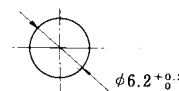


Applicable board:  $t=2.4\text{mm}$   
Through-hole finish diameter:  $\phi 0.9 \pm 0.08\text{mm}$   
(For details, refer to PCN11 series.)

### ◆ Area A dimensions

● Coaxial connector (PO51-P-1.5-1A(40))  
High current contact  
(Power contact 10S, 20S)

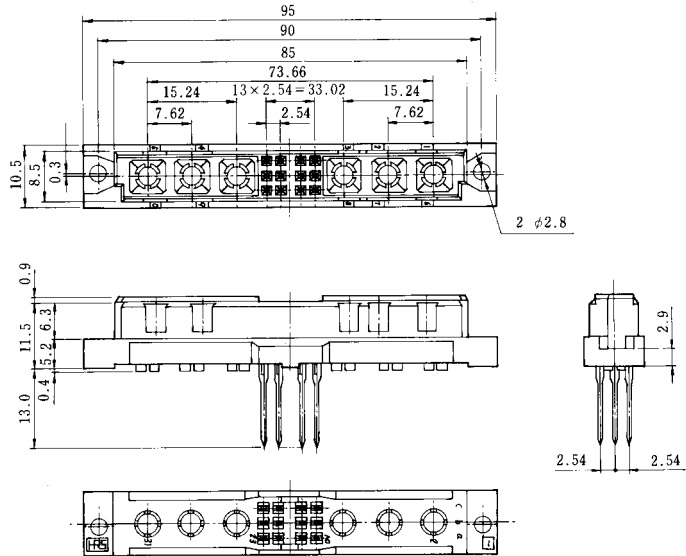
● Coaxial connector (PO51-LP-1.5-A(40))



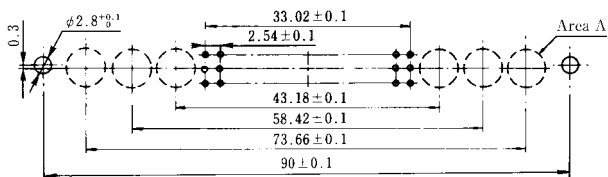
**PCN11F-42S-2.54WB-2**  
**CL583-1186-4**



**RoHS Compliant**



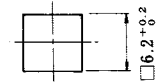
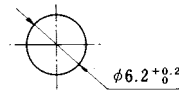
### ◆ PCB mounting pattern



Applicable board: t=2.4mm  
 Through-hole finish diameter:  $\phi 0.9 \pm 0.08$ mm  
 (For details, refer to PCN11 series.)

### ◆ Area A dimensions

- Coaxial connector (PO51-P-1.5-1A(40)) High current contact (Power contact 10S, 20S)
- Coaxial connector (PO51-LP-1.5-A(40))





## Application

● : Mounting hole center  
C.L. : Center line

