

阅读申明

- 1.本站收集的数据手册和产品资料都来自互联网，版权归原作者所有。如读者和版权方有任何异议请及时告之，我们将妥善解决。
- 2.本站提供的中文数据手册是英文数据手册的中文翻译，其目的是协助用户阅读，该译文无法自动跟随原稿更新，同时也可能存在翻译上的不当。建议读者以英文原稿为参考以便获得更精准的信息。
- 3.本站提供的产品资料，来自厂商的技术支持或者使用者的心得体会等，其内容可能存在描述上的差异，建议读者做出适当判断。
- 4.如需与我们联系，请发邮件到marketing@iczoom.com，主题请标有“数据手册”字样。

Read Statement

1. The datasheets and other product information on the site are all from network reference or other public materials, and the copyright belongs to the original author and original published source. If readers and copyright owners have any objections, please contact us and we will deal with it in a timely manner.
2. The Chinese datasheets provided on the website is a Chinese translation of the English datasheets. Its purpose is for reader's learning exchange only and do not involve commercial purposes. The translation cannot be automatically updated with the original manuscript, and there may also be improper translations. Readers are advised to use the English manuscript as a reference for more accurate information.
3. All product information provided on the website refer to solutions from manufacturers' technical support or users the contents may have differences in description, and readers are advised to take the original article as the standard.
4. If you have any questions, please contact us at marketing@iczoom.com and mark the subject with "Datasheets" .

PART NUMBER CODING

N_E_DHHN-T9

PLATING

(ALL PLATINGS ARE LEAD FREE AND HAVE 50µ" NICKEL UNDERPLATE)

CONTACT SURFACE	TERMINATION
W = GOLD FLASH	.000100" PURE TIN, MATTE
B = .000010" GOLD	.000100" PURE TIN, MATTE
C = .000030" GOLD	.000100" PURE TIN, MATTE

POSITIONS

18
32
49
82

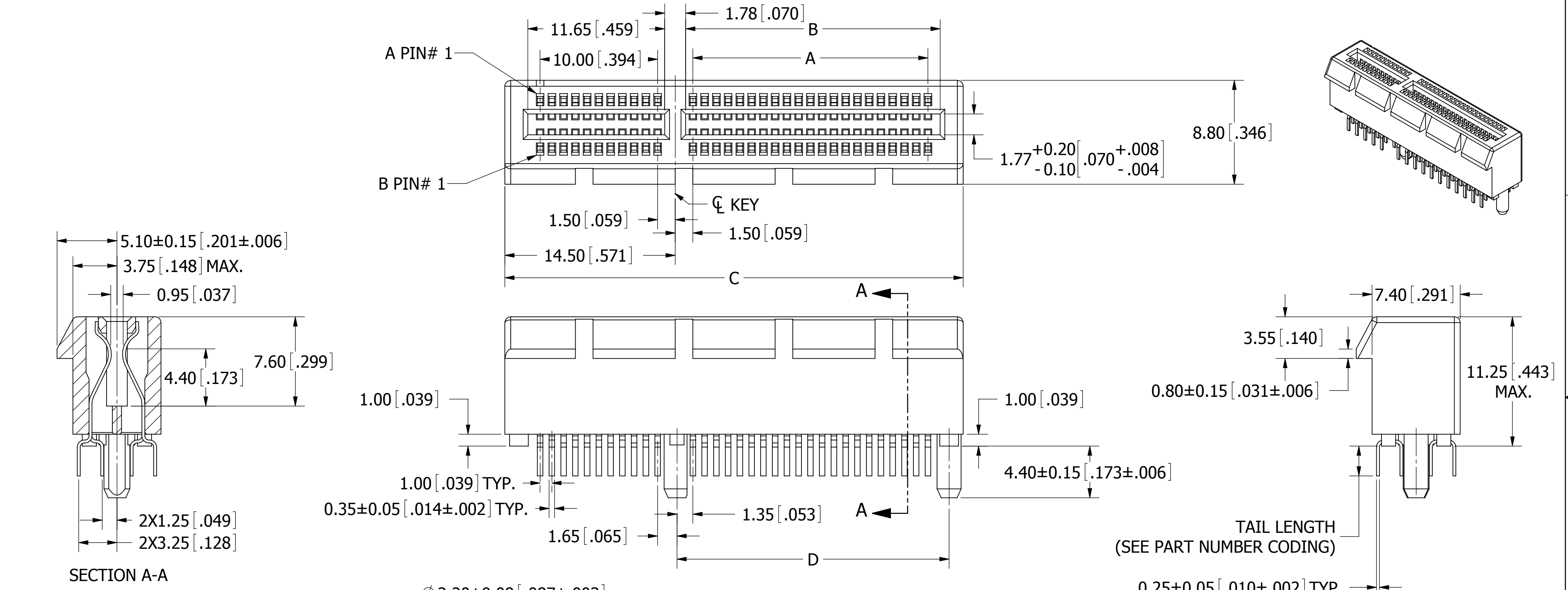
TAIL LENGTH

1= 2.30[.091] } 1.57[.062] PCB
2= 2.54[.100]
3= 3.10[.122] 2.36[.093] PCB

COLOR

1= BLACK
2= BLUE
3= GREEN
4= PURPLE

REVISIONS				
REV.	ECO. NO	DESCRIPTION	DATE	BY
A	1595	INITIAL RELEASE	11/31/07	VJ
B	1707	UPDATE P/N CODING CHART, PLATING	05/30/08	ASK
C	1933	UPDATE DRAWING VIEWS, NOTES & DIM.	3/09/2009	JH



- NOTES:**
1. INSULATOR MATERIAL: NYLON46, UL 94V-0.
 2. CONTACT MATERIAL: PHOSPHOR BRONZE.
 3. CONTACT PLATING: SEE PART NUMBER CODING.
 4. CURRENT RATING: 1.1 AMP.
 5. INSULATOR RESISTANCE: 1000 MEGOHMS MIN.
 6. CONTACT RESISTANCE: 30 MILLI OHMS MAX.
 7. DIELECTRIC WITHSTANDING: 300V AC.
 8. INSEERTION FORCE: 117gf (1.15 N) MAX PER CONTACT PAIR USING A 1.70 mm (.067") STEEL CARD.
 9. WITHDRAWAL FORCE: 15.3gf (0.15 N) MIN PER CONTACT PAIR USING A 1.44 mm (.057") STEEL CARD.
 10. OPERATING TEMPERATURE: -55° C TO +85° C.
 11. PROCESSING TEMP.: 260° C FOR 10 SECS MAX.
(INDICATED TEMPERATURE AND TIME IS FOR COMPONENT INSULATOR. HIGHER PROCESSING TEMPERATURES MAY BE USED, PROVIDED HEAT IS APPLIED FROM BACK SIDE OF PCB, AND INSULATOR DOES NOT EXCEED INDICATED TEMPERATURE AND TIME.)

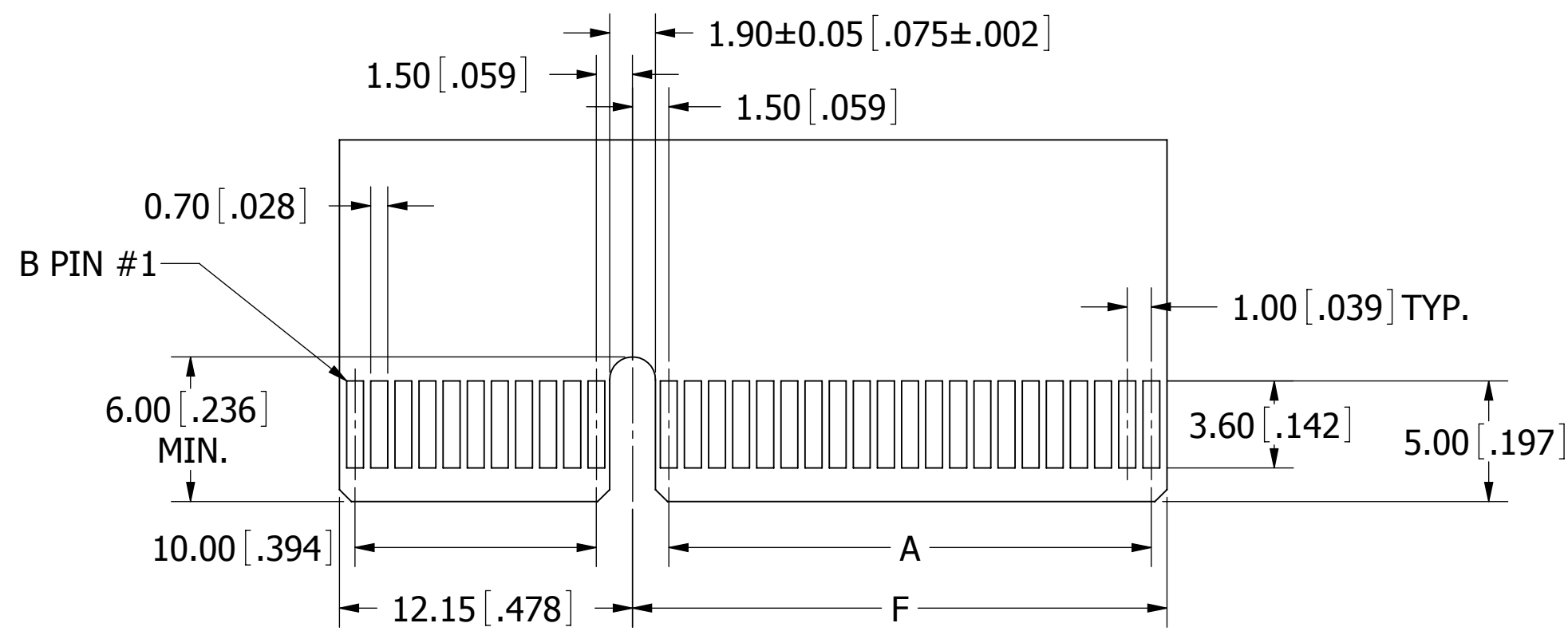
PART NUMBER	POSITIONS/ CONTACTS	A ± 0.10 [.004]		B +0.15/-0.05 [+0.006/-0.002]		C ± 0.23 [.009]		D ± 0.20 [.008]	
		MM	[INCH]	MM	[INCH]	MM	[INCH]	MM	[INCH]
N_E18DHHN-T9	18/36	6.00	0.236	7.65	0.301	25.00	0.984	9.15	0.360
N_E32DHHN-T9	32/64	20.00	0.787	21.65	0.852	39.00	1.535	23.15	0.911
N_E49DHHN-T9	49/98	37.00	1.457	38.65	1.522	56.00	2.205	40.15	1.581
N_E82DHHN-T9	82/164	70.00	2.756	71.65	2.821	89.00	3.504	73.15	2.880



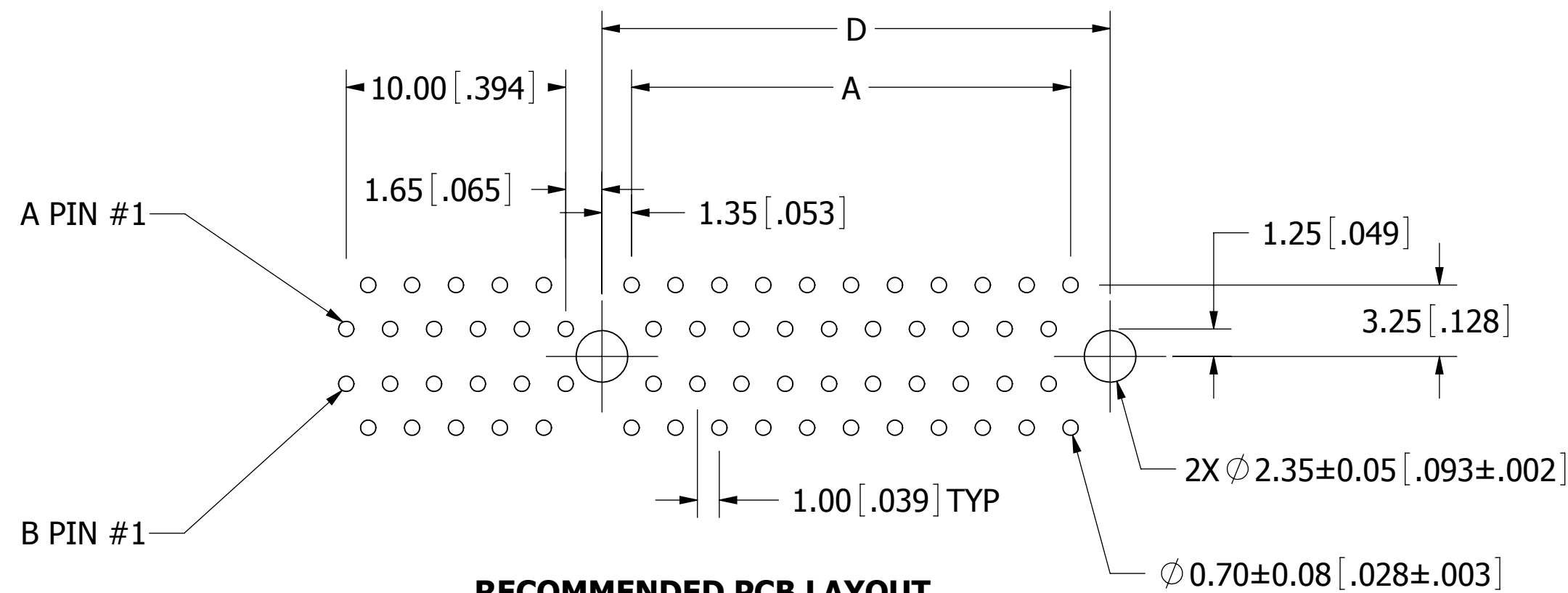
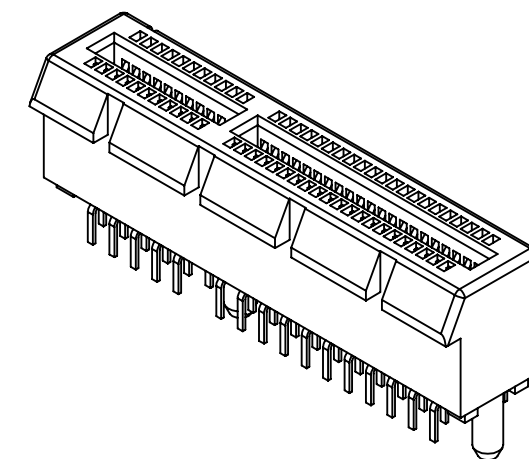
UNLESS OTHERWISE SPECIFIED:
DIMENSIONS ARE IN MM[INCHES]
TOLERANCES:
ANGULAR: ± 5°
.X = ± .30 [.012]
.XX = ± .20 [.008]
.XXX = ± .10 [.004]
SURFACE FINISH: 63 Rc
REMOVE ALL BURRS AND SHARP EDGES .010 MAX

INTERPRET DIMENSIONS AND GEOMETRIC TOLERANCING PER: ANSI Y14.5M-1994

DATE	NAME	
DRAWN 3/09/09	JH	
<small>THE INFORMATION HEREIN CONTAINS PROPRIETARY INFORMATION OF SULLINS ELECTRONICS AND IS NOT TO BE REPRODUCED, USED OR DISCLOSED TO OTHERS FOR ANY PURPOSE EXCEPT AS SPECIFICALLY AUTHORIZED IN WRITING BY AN OFFICER OF SULLINS ELECTRONICS.</small>		DESCRIPTION PCI EXPRESS, 1mm CC, DIP SOLDER PART NUMBER N_E_DHHN-T9
SIZE	DWG. NO.	REV.
C	11045	C
SCALE: 5:1		SHEET 1 OF 2

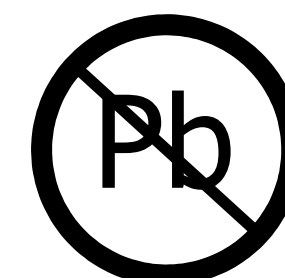


**ADD-IN CARD EDGE-FINGER DIMENSIONS
(TOLERANCE: ±0.05[.002])**



**RECOMMENDED PCB LAYOUT
(TOLERANCE: ±0.05[.002])**

PART NUMBER	POSITIONS/ CONTACTS	A ± 0.10 [.004]		D ± 0.20 [.008]		F ± 0.20 [.008]	
		MM	[INCH]	MM	[INCH]	MM	[INCH]
N_E18DHHN-T9__	18/36	6.00	0.236	9.15	0.360	8.15	0.321
N_E32DHHN-T9__	32/64	20.00	0.787	23.15	0.911	22.15	0.872
N_E49DHHN-T9__	49/98	37.00	1.457	40.15	1.581	39.15	1.541
N_E82DHHN-T9__	82/164	70.00	2.756	73.15	2.880	72.15	2.841



RoHS COMPLIANT

DESCRIPTION PCI EXPRESS, 1mm CC, DIP SOLDER		
PART NUMBER N_E_DHHN-T9__		
SIZE C	DWG. NO. 11045	REV C
SCALE: NTS		SHEET 2 OF 2