

## 阅读申明

- 1.本站收集的数据手册和产品资料都来自互联网，版权归原作者所有。如读者和版权方有任何异议请及时告之，我们将妥善解决。
- 2.本站提供的中文数据手册是英文数据手册的中文翻译，其目的是协助用户阅读，该译文无法自动跟随原稿更新，同时也可能存在翻译上的不当。建议读者以英文原稿为参考以便获得更精准的信息。
- 3.本站提供的产品资料，来自厂商的技术支持或者使用者的心得体会等，其内容可能存在描述上的差异，建议读者做出适当判断。
- 4.如需与我们联系，请发邮件到marketing@iczoom.com，主题请标有“数据手册”字样。

## Read Statement

1. The datasheets and other product information on the site are all from network reference or other public materials, and the copyright belongs to the original author and original published source. If readers and copyright owners have any objections, please contact us and we will deal with it in a timely manner.
2. The Chinese datasheets provided on the website is a Chinese translation of the English datasheets. Its purpose is for reader's learning exchange only and do not involve commercial purposes. The translation cannot be automatically updated with the original manuscript, and there may also be improper translations. Readers are advised to use the English manuscript as a reference for more accurate information.
3. All product information provided on the website refer to solutions from manufacturers' technical support or users the contents may have differences in description, and readers are advised to take the original article as the standard.
4. If you have any questions, please contact us at marketing@iczoom.com and mark the subject with "Datasheets" .

# PART NUMBER CODING

## N\_E140DHHN-T9

REVISIONS				
REV.	ECO. NO	DESCRIPTION	DATE	BY
A	1595	INITIAL RELEASE	04/01/08	VJ
B	1707	UPDATE P/N CODING CHART, PLATING	05/30/08	ASK
C	1946	UPDATE NOTES, COLOR CODE & TOLERANCE BLOCK, TAIL LENGTH OPTION 1 REMOVED	06/26/09	JH

### PLATING

(ALL PLATINGS ARE LEAD FREE AND HAVE 50μ" NICKEL UNDERPLATE)

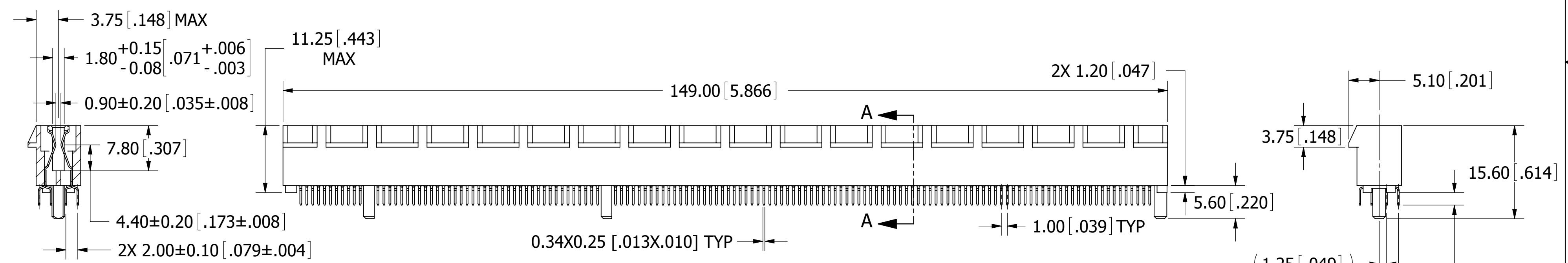
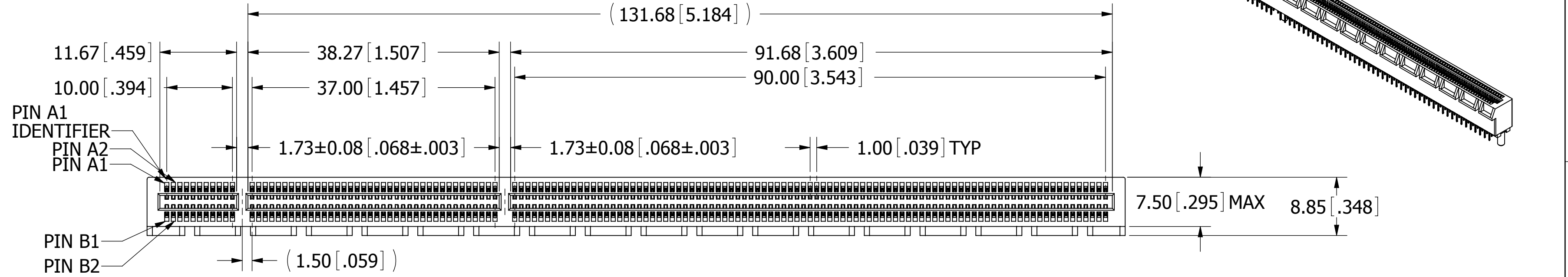
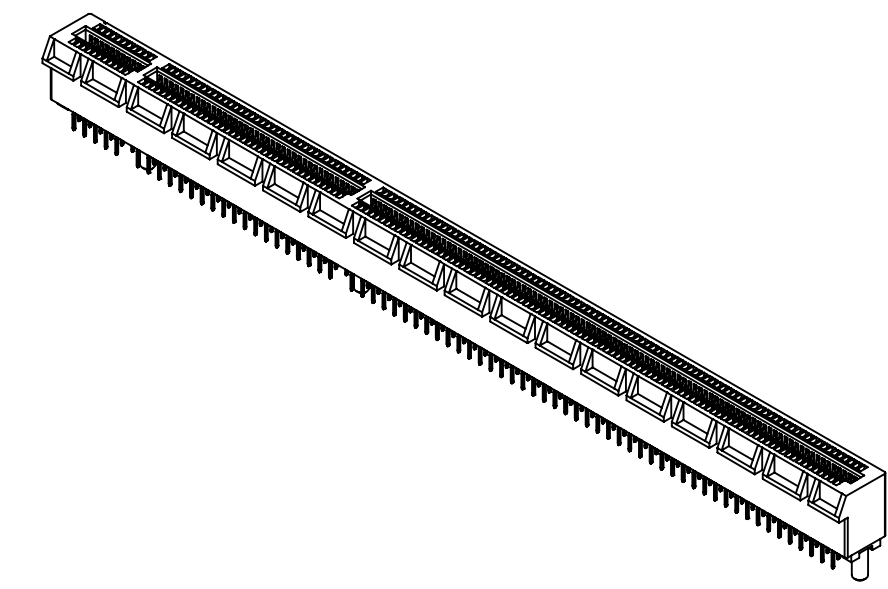
CONTACT SURFACE	TERMINATION
W = GOLD FLASH	.000100" PURE TIN, MATTE
B = .000010" GOLD	.000100" PURE TIN, MATTE
C = .000030" GOLD	.000100" PURE TIN, MATTE

### TAIL LENGTH

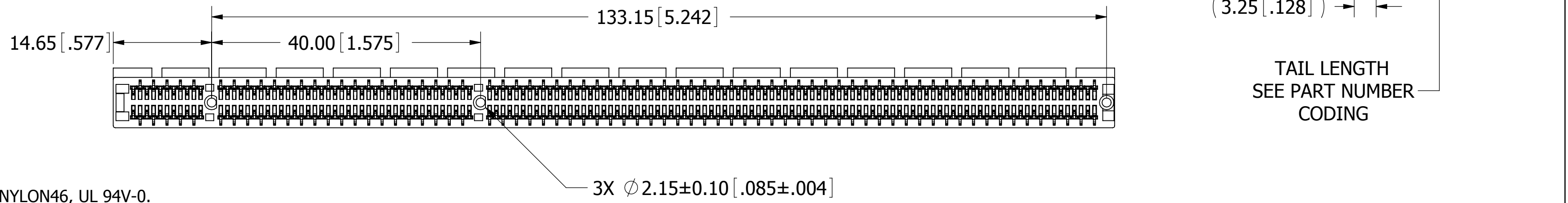
2=2.54[.100]  
3=3.00[.118]

### COLOR

1= BLACK  
6= WHITE



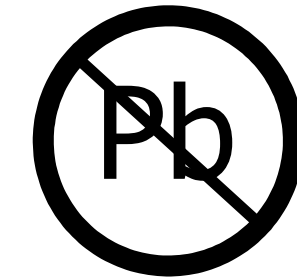
SECTION A-A



TAIL LENGTH  
SEE PART NUMBER  
CODING

### NOTES:

- INSULATOR MATERIAL: NYLON46, UL 94V-0.
  - CONTACT MATERIAL: PHOSPHOR BRONZE.
  - CONTACT PLATING: SEE PART NUMBER CODING.
  - CURRENT RATING: 1.1 AMP.
  - VOLTAGE RATING: 50 V DC.
  - INSULATOR RESISTANCE: 1000 MEGOHMS MIN.
  - CONTACT RESISTANCE: 30 MILLI OHMS MAX.
  - DIELECTRIC WITHSTANDING: 500V DC.
  - INSERTION FORCE: 117gf (1.15 N) MAX PER CONTACT PAIR USING A 1.7 mm (.067") STEEL CARD.
  - WITHDRAWAL FORCE: 15.3gf (0.15 N) MIN PER CONTACT PAIR USING A 1.44 mm (.057") STEEL CARD.
  - OPERATING TEMPERATURE: -55° C TO +105° C.
  - PROCESSING TEMP.: 260° C FOR 10 SECS MAX.
- (INDICATED TEMPERATURE AND TIME IS FOR COMPONENT INSULATOR. HIGHER PROCESSING TEMPERATURE MAY BE USED, PROVIDED HEAT IS APPLIED FROM BACK SIDE OF PCB, AND INSULATOR DOES NOT EXCEED INDICATED TEMPERATURE AND TIME.)

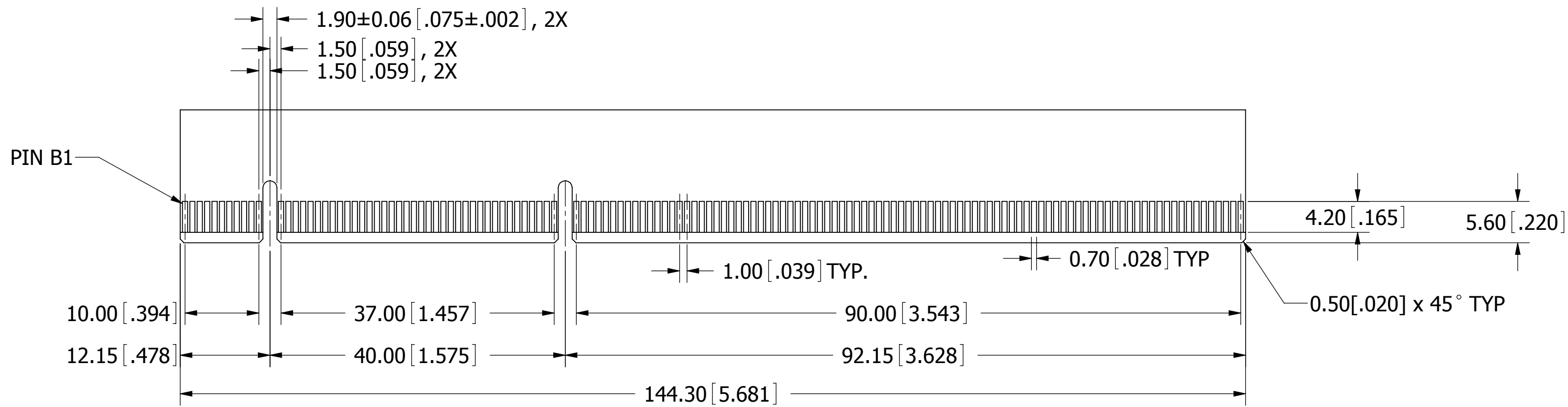
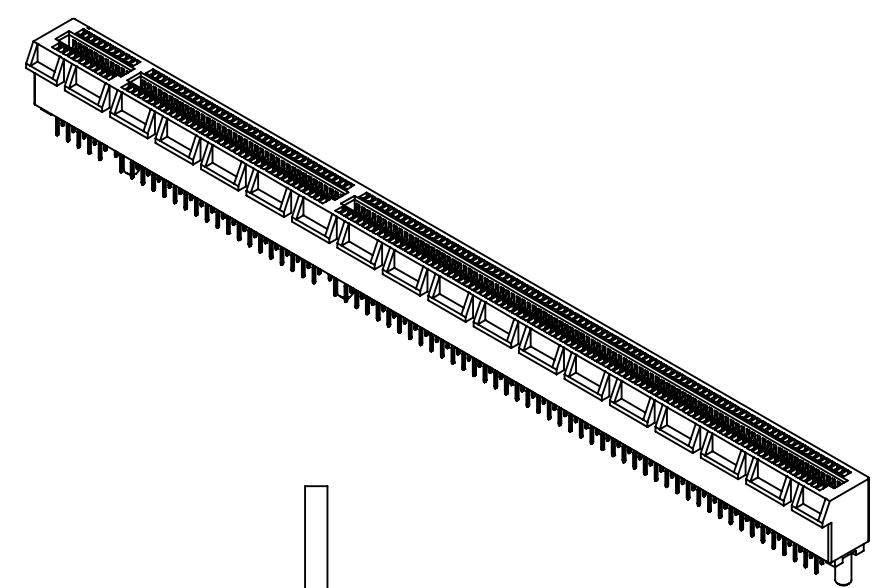


RoHS COMPLIANT

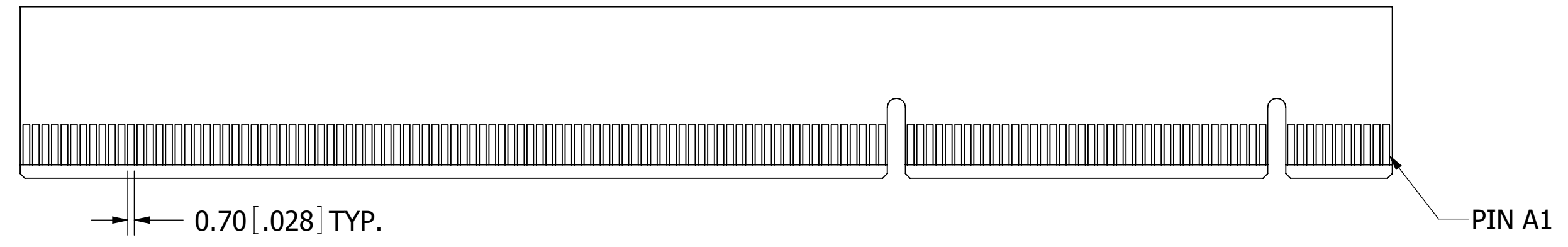
UNLESS OTHERWISE SPECIFIED:  
DIMENSIONS ARE IN MM[INCHES]  
TOLERANCES:  
ANGULAR: ± 5°  
.X= ± .3 [.01]  
.XX= ± .25 [.010]  
.XXX= ± .080 [.0030]  
SURFACE FINISH: 63 R<sub>a</sub>  
REMOVE ALL BURRS AND SHARP EDGES .010 MAX

INTERPRET DIMENSIONS AND GEOMETRIC TOLERANCING PER: ANSI Y14.5M-1994

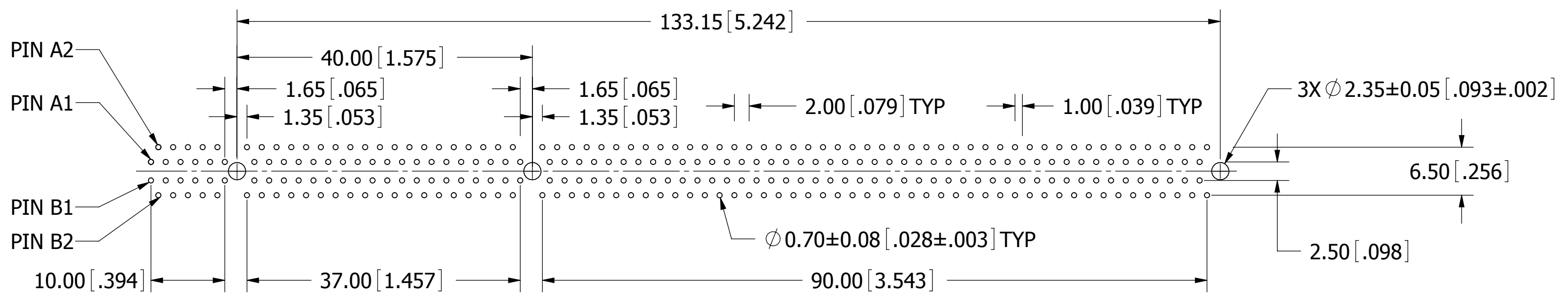
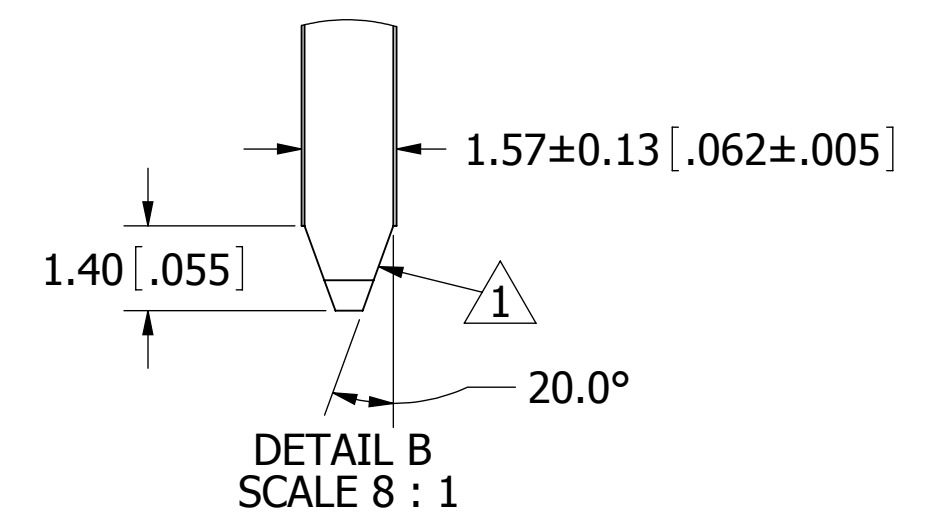
DATE	NAME	SULLINS CONNECTOR SOLUTIONS	
3/23/09	JH	DESCRIPTION PCI EXPRESS, 1mm CC, 140P, DIP SOLDER	
DRAWN		PART NUMBER N_E140DHHN-T9__	
THE INFORMATION HEREIN CONTAINS PROPRIETARY INFORMATION OF SULLINS ELECTRONICS AND IS NOT TO BE REPRODUCED, USED OR DISCLOSED TO OTHERS FOR ANY PURPOSE EXCEPT AS SPECIFICALLY AUTHORIZED IN WRITING BY AN OFFICER OF SULLINS ELECTRONICS.		SIZE C	DWG. NO. 11040
SCALE: 1:1		REV C	SHEET 1 OF 2



I/O PANEL DIRECTION PRIMARY (COMPONENT) SIDE

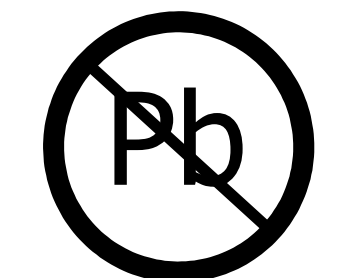


I/O PANEL DIRECTION SECONDARY (SOLDER) SIDE  
**ADD-IN CARD EDGE-FINGER DIMENSIONS**



**RECOMMENDED PCB LAYOUT**  
 TOLERANCE:  $\pm 0.13$  [.005]

1. CHAMFER EDGE MUST BE FREE OF CUTTING BURRS.



RoHS COMPLIANT

DESCRIPTION PCI EXPRESS, 1mm CC, 140P, DIP SOLDER		
PART NUMBER <b>N_E140DHNN-T9_</b>		
SIZE	DWG. NO.	REV
<b>C</b>	<b>11040</b>	<b>C</b>
SCALE: NTS		SHEET 2 OF 2