

阅读申明

- 1.本站收集的数据手册和产品资料都来自互联网，版权归原作者所有。如读者和版权方有任何异议请及时告之，我们将妥善解决。
- 2.本站提供的中文数据手册是英文数据手册的中文翻译，其目的是协助用户阅读，该译文无法自动跟随原稿更新，同时也可能存在翻译上的不当。建议读者以英文原稿为参考以便获得更精准的信息。
- 3.本站提供的产品资料，来自厂商的技术支持或者使用者的心得体会等，其内容可能存在描述上的差异，建议读者做出适当判断。
- 4.如需与我们联系，请发邮件到marketing@iczoom.com，主题请标有“数据手册”字样。

Read Statement

1. The datasheets and other product information on the site are all from network reference or other public materials, and the copyright belongs to the original author and original published source. If readers and copyright owners have any objections, please contact us and we will deal with it in a timely manner.
2. The Chinese datasheets provided on the website is a Chinese translation of the English datasheets. Its purpose is for reader's learning exchange only and do not involve commercial purposes. The translation cannot be automatically updated with the original manuscript, and there may also be improper translations. Readers are advised to use the English manuscript as a reference for more accurate information.
3. All product information provided on the website refer to solutions from manufacturers' technical support or users the contents may have differences in description, and readers are advised to take the original article as the standard.
4. If you have any questions, please contact us at marketing@iczoom.com and mark the subject with "Datasheets" .

Molded Axial Capacitors



TAR Series

SOLID TANTALUM MOLDED AXIAL LEADED CAPACITORS



TAR: Designed for use in miniature and subminiature circuit applications.

1. Precision molded and taped and reeled for use in high speed automatic insertion applications.
2. Suitable for decoupling, blocking, by-passing and filtering in computers, data processing, communications and other equipment.
3. Available in four case sizes.
4. Tapered nose identifies positive polarity.
5. Capacitance, tolerance, rated voltage and polarity are marked onto the capacitor body.
6. See page 105 for packaging quantities.

CASE DIMENSIONS: millimeters (inches)

Case Size	L ±0.25 (0.010)	D ₁ ±0.25 (0.010)	d ±0.05 (0.002)	Typical Weight g
Q	6.35 (0.250)	2.16 (0.085)	0.50 (0.020)	0.20
R	7.40 (0.290)	2.50 (0.100)	0.50 (0.020)	0.25
S	8.60 (0.340)	4.30 (0.170)	0.50 (0.020)	0.52
W	10.4 (0.410)	4.30 (0.170)	0.50 (0.020)	0.53

HOW TO ORDER

TAR

Type

R

Case Size

335

Capacitance Code
pF code: 1st two digits represent significant figures, 3rd digit represents multiplier (number of zeros to follow)

M

Capacitance Tolerance
K = ±10%
M = ±20%

015

Rated DC Voltage

*Not recommended for new designs



Molded Axial Capacitors



TAR Series

TECHNICAL SPECIFICATIONS

Technical Data:	All technical data relate to an ambient temperature of +25°C								
Capacitance Range:	0.10 μ F to 68 μ F								
Capacitance Tolerance:	\pm 20%; \pm 10%								
Rated Voltage DC (V_R)	\leq +85°C:	4	6.3	10	15	20	25	35	50
Category Voltage (V_C)	\leq +125°C:	2.7	4	6.3	10	13	17	23	33
Surge Voltage (V_S)	\leq +85°C:	5.2	8	13	20	26	33	46	65
Surge Voltage (V_S)	\leq +125°C:	3.5	5	9	12	16	21	28	40
Temperature Range:	-55°C to +125°C								
Environmental Classification:	55/125/56 (IEC 68-2)								
Dissipation Factor:	See part number table								

Capacitance Range (letter denotes case size)								
Capacitance μ F	Rated voltage DC (V_R)							
	4V	6.3V	10V	15V	20V	25V	35V	50V
0.10							Q	Q
0.15							Q	Q
0.22							Q	Q
0.33						Q	Q	R
0.47						Q	R	R
0.68						Q	R	R
1.0					Q	Q	R	R
1.5				Q	Q	R	R	S
2.2			Q	Q	R	R	S	S
3.3		Q	Q	R	R	R	S	W
4.7	Q	Q	R	R	R	S	S	W
6.8	Q	R	R	R	S	S	W	W
10	R	R	R	S	S	S	W	
15	R	R	S	S	W	W		
22	R	S	S	W	W			
33	S	S	W	W				
47	S	W	W					
68	W	W						

Values outside this standard range may be available on request without appropriate release or qualification.

AVX reserves the right to supply capacitors to a tighter specification than that ordered.

MARKING

- Polarity
- Capacitance
- Date code
- Tolerance
- Voltage

Molded Axial Capacitors



TAR Series

RATINGS AND PART NUMBER REFERENCE

AVX Part No.	Case Size	Capacitance μ F	DCL (μ A) Max.	DF % Max.	ESR Max. (Ω) @ 100 kHz
4 volt @ 85°C (2.7 volt @ 125°C)					
TARQ475(+004)	Q	4.7	0.5	8	12
TARQ685(+004)	Q	6.8	0.5	8	10
TARR106(+004)	R	10	0.5	8	10
TARR156(+004)	R	15	0.5	8	8.0
TARR226(+004)	R	22	0.7	8	6.0
TARS336(+004)	S	33	1.1	8	5.0
TARS476(+004)	S	47	1.5	8	3.5
TARW686(+004)	W	68	2.2	8	2.5
6.3 volt @ 85°C (4 volt @ 125°C)					
TARQ335(+006)	Q	3.3	0.5	4	14
TARQ475(+006)	Q	4.7	0.5	4	10
TARR685(+006)	R	6.8	0.5	6	8.0
TARR106(+006)	R	10	0.5	6	6.0
TARR156(+006)	R	15	0.7	6	5.0
TARS226(+006)	S	22	1.1	6	3.7
TARS336(+006)	S	33	1.5	6	3.0
TARW476(+006)	W	47	2.3	6	2.0
TARW686(+006)	W	68	3.3	6	1.8
10 volt @ 85°C (7 volt @ 125°C)					
TARQ225(+010)	Q	2.2	0.5	4	14
TARQ335(+010)	Q	3.3	0.5	4	10
TARR475(+010)	R	4.7	0.5	4	8.0
TARR685(+010)	R	6.8	0.5	6	6.0
TARR106(+010)	R	10	0.8	6	5.0
TARS156(+010)	S	15	1.2	6	3.7
TARS226(+010)	S	22	1.5	6	2.7
TARW336(+010)	W	33	2.6	6	2.1
TARW476(+010)	W	47	3.8	6	1.7
15 volt @ 85°C (10 volt @ 125°C)					
TARQ155(+015)	Q	1.5	0.5	4	14
TARQ225(+015)	Q	2.2	0.5	4	8.0
TARR335(+015)	R	3.3	0.5	4	6.0
TARR475(+015)	R	4.7	0.6	4	5.0
TARR685(+015)	R	6.8	0.8	6	4.0
TARS106(+015)	S	10	1.2	6	3.2
TARS156(+015)	S	15	1.5	6	2.5
TARW226(+015)	W	22	2.6	6	2.0
TARW336(+015)	W	33	4.0	6	1.6
20 volt @ 85°C (13 volt @ 125°C)					
TARQ105(+020)	Q	1.0	0.5	4	18
TARQ155(+020)	Q	1.5	0.5	4	12
TARR225(+020)	R	2.2	0.5	4	7.0
TARR335(+020)	R	3.3	0.5	4	5.5
TARR475(+020)	R	4.7	0.8	4	4.5
TARS685(+020)	S	6.8	1.1	6	3.7
TARS106(+020)	S	10	1.6	6	2.8
TARW156(+020)	W	15	2.4	6	2.3
TARW226(+020)	W	22	3.5	6	1.9

AVX Part No.	Case Size	Capacitance μ F	DCL (μ A) Max.	DF % Max.	ESR Max. (Ω) @ 100 kHz
25 volt @ 85°C (17 volt @ 125°C)					
TARQ474(+025)	Q	0.47	0.5	3	20
TARQ684(+025)	Q	0.68	0.5	3	16
TARQ105(+025)	Q	1.0	0.5	3	12
TARR155(+025)	R	1.5	0.5	3	8.0
TARR225(+025)	R	2.2	0.5	3	6.0
TARR335(+025)	R	3.3	0.7	3	5.0
TARS475(+025)	S	4.7	0.9	4	4.0
TARS685(+025)	S	6.8	1.4	4	3.1
TARS106(+025)	S	10	1.5	4	2.5
TARW156(+025)	W	15	3.0	4	2.0
35 volt @ 85°C (23 volt @ 125°C)					
TARQ104(+035)	Q	0.1	0.5	3	26
TARQ154(+035)	Q	0.15	0.5	3	21
TARQ224(+035)	Q	0.22	0.5	3	17
TARQ334(+035)	Q	0.33	0.5	3	15
TARQ474(+035)	Q	0.47	0.5	3	13
TARR684(+035)	R	0.68	0.5	3	10
TARR105(+035)	R	1.0	0.5	3	8.0
TARR155(+035)	R	1.5	0.5	3	6.0
TARS225(+035)	S	2.2	0.6	3	5.0
TARS335(+035)	S	3.3	0.9	4	4.0
TARS475(+035)	S	4.7	1.3	4	3.0
TARW685(+035)	W	6.8	1.9	4	2.5
TARW106(+035)	W	10	2.8	4	2.0
50 volt @ 85°C (33 volt @ 125°C)					
TARQ104(+050)	Q	0.1	0.5	3	26
TARQ154(+050)	Q	0.15	0.5	3	21
TARQ224(+050)	Q	0.22	0.5	3	17
TARR334(+050)	R	0.33	0.5	3	15
TARR474(+050)	R	0.47	0.5	3	13
TARR684(+050)	R	0.68	0.5	3	10
TARR105(+050)	R	1.0	0.5	3	8.0
TARS155(+050)	S	1.5	0.6	4	5.0
TARS225(+050)	S	2.2	0.9	4	3.5
TARW335(+050)	W	3.3	1.3	4	3.0
TARW475(+050)	W	4.7	1.9	4	2.5

(*) Insert capacitance tolerance code; M for $\pm 20\%$ and K for $\pm 10\%$

NOTE: Voltage ratings are minimum values. AVX reserves the right to supply higher voltage ratings in the same case size.

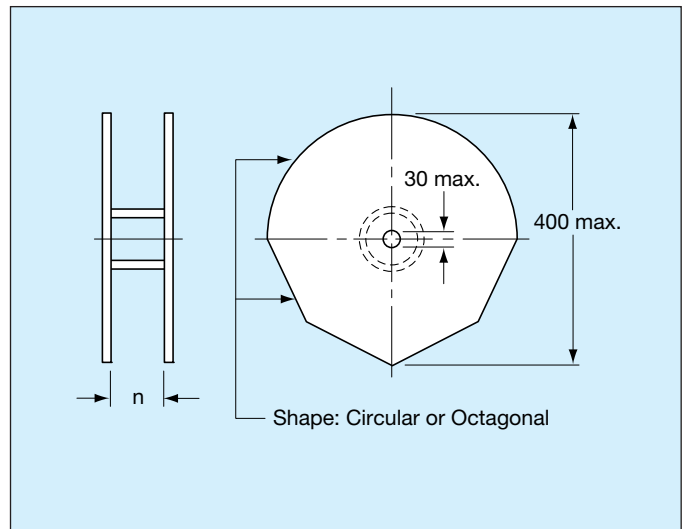
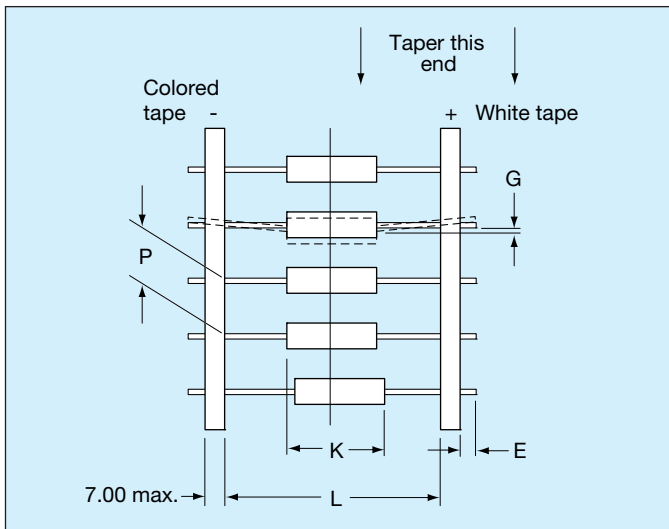
SOLID TANTALUM AXIAL TAR AND TAA

TAPE AND REEL PACKAGING FOR AUTOMATIC COMPONENT INSERTION

TAR and TAA series are supplied as standard on axial bandolier, in reel format or 'ammo' pack for use on high speed axial automatic insertion equipment, or preforming machines.

The tape format is compatible with standards for component taping set out by major manufacturers of axial automatic insertion equipment.

TAPE SPECIFICATION REEL CONFIGURATION



PACKAGING QUANTITIES TAR

For reels

Case Size	Number of Pieces
Q	3000
R	3000
S	2000
W	2000

PACKAGING QUANTITIES TAA

For reels, Standard Suffix G

Case Size	Number of Pieces
A	3500
B	2500
C	500
D	400

For reels, Suffix K

Case Size	Number of Pieces
A	1500
B	1000
C	250
D	250

DIMENSIONS:

millimeters (inches)

E max	1.60 (0.063)
G max	1.20 (0.047)
K	Component body shall be located centrally within a window, width K, where K is 1.40 (0.060) greater than the primary body length
L	52.4 ± 1.50 (2.060 ± 0.060)
P	5.00 ± 0.50 (0.200 ± 0.020)
leader max	400 (15.75)
trailer max	30.0 (1.200)
n	Will allow for unhindered reeling and unreeling of the taped components. Preferred dimensions 73.0 (2.870) spacing.