

## 阅读申明

- 1.本站收集的数据手册和产品资料都来自互联网，版权归原作者所有。如读者和版权方有任何异议请及时告之，我们将妥善解决。
- 2.本站提供的中文数据手册是英文数据手册的中文翻译，其目的是协助用户阅读，该译文无法自动跟随原稿更新，同时也可能存在翻译上的不当。建议读者以英文原稿为参考以便获得更精准的信息。
- 3.本站提供的产品资料，来自厂商的技术支持或者使用者的心得体会等，其内容可能存在描述上的差异，建议读者做出适当判断。
- 4.如需与我们联系，请发邮件到marketing@iczoom.com，主题请标有“数据手册”字样。

## Read Statement

1. The datasheets and other product information on the site are all from network reference or other public materials, and the copyright belongs to the original author and original published source. If readers and copyright owners have any objections, please contact us and we will deal with it in a timely manner.
2. The Chinese datasheets provided on the website is a Chinese translation of the English datasheets. Its purpose is for reader's learning exchange only and do not involve commercial purposes. The translation cannot be automatically updated with the original manuscript, and there may also be improper translations. Readers are advised to use the English manuscript as a reference for more accurate information.
3. All product information provided on the website refer to solutions from manufacturers' technical support or users the contents may have differences in description, and readers are advised to take the original article as the standard.
4. If you have any questions, please contact us at marketing@iczoom.com and mark the subject with "Datasheets" .

# Product Data Sheet

## Amphenol® Industrial Amphe-PPM Quick Disconnect Connectors

No. 195

The Amphe-PPM is a rapid mate, push/pull connector which provides positive mating in limited space and ease of use. The design features of the Amphe-PPM allow consumers to save cost in space savings and in installation.

Amphe-PPM, the high performance signal and power interconnection solution, is ideally suited to many commercial and industrial applications including, but not limited to:

- Medical Equipment
- Instrumentation/Test & Measurement
- Communication Equipment

The Amphe-PPM continues Amphenol's commitment of providing new products to meet customer and market demands for new emerging technologies and advancing applications.



### Features and Benefits of Amphe-PPM Connectors

- Push/pull rapid mate connector system - high performance of 500 + mating cycles
- Sealed or non-sealed connector versions -  
NON-SEALED VERSION:
  - Available in 12mm and 16mm shell sizes
  - From 2 up to 12 contacts of 1.0mm to 2.5mm diameter (see back side for insert arrangement charts)
  - Jam nut receptacle and straight plug are available with a rubber boot or standard cable clamp rear accessory
  - Non-reflective nickel or black epoxy finish
  - IP55 rated
- SEALED VERSION:
  - Available in 10mm, 12mm, 16mm and 18mm shell sizes
  - From 2 up to 14 contacts of 0.8mm to 2.5mm diameter (see back side for insert arrangement charts)
  - Jam nut receptacle and straight plug come with jacketed cable PG sealing gland
  - Non-reflective nickel finish only
  - IP67 rated
- Three shell styles available: box mount and jam nut receptacles and a straight plug
- Designed to IEC 61984
- Inserts have a UL94V-0 flammability rating
- Operating temperature: -40° to 100°C
- Solder contacts standard, crimp by special request
- Non-magnetic product standard

**Notice:** Specifications are subject to change without notice. Contact your nearest Amphenol Corporation Sales Office for the latest specifications. All statements, information and data given herein are believed to be accurate and reliable but are presented without guarantee, warranty, or responsibility of any kind, expressed or implied. Statements or suggestions concerning possible use of our products are made without representation or warranty that any such use is free of patent infringement and are not recommendations to infringe any patent. The user should assume that all safety measures are indicated or that other measures may not be required. Specifications are typical and may not apply to all connectors.

AMPHENOL is a registered trademark of Amphenol Corporation.

©2006 Amphenol Corporation

# Amphenol

Printed in U.S.A. 4/2006

# HOW TO ORDER

## Amphe-PPM Sealed Connectors

**APS** \_\_\_\_\_  
 designates Amphe-PPM Sealed Series Connectors

**D** \_\_\_\_\_  
 Shell Size: \_\_\_\_\_  
 C ..... designates 10mm shell size  
 D ..... designates 12mm shell size  
 E ..... designates 16mm shell size  
 F ..... designates 18mm shell size

**S** \_\_\_\_\_  
 Contact Type: \_\_\_\_\_  
 P ..... designates pin contacts  
 S ..... designates socket contacts

**A** \_\_\_\_\_  
 Insert Arrangement Designator \_\_\_\_\_  
 See Insert Arrangement Tables 1, 2, 3, 4

**6** \_\_\_\_\_  
 Sealing Range:

| Series | Diameters in mm |        |         |        |
|--------|-----------------|--------|---------|--------|
|        | E1              |        | E2      |        |
| C      | N/A             | N/A    | 3 - 6.5 | PG7    |
| D      | 3 - 6.5         | PG7    | 4 - 8   | PG9    |
| E      | 4 - 8           | PG9    | 7 - 12  | PG13.5 |
| F      | 7 - 12          | PG13.5 | 10 - 14 | PG16   |

**E1** \_\_\_\_\_  
 Shell Style:  
 2 ..... designates square flange receptacle  
 6 ..... designates straight plug  
 7 ..... designates jam nut receptacle

**Table 1**  
Shell Size "C" 10mm

| Insert Arrangement | Contact Diameter (mm) | No. of Contacts |
|--------------------|-----------------------|-----------------|
| A                  | 1                     | 2               |
| B                  | 1                     | 3               |
| C                  | 0.8                   | 4               |
| D                  | 0.8                   | 5               |

**Table 2**  
Shell Size "D" 12mm

| Insert Arrangement | Contact Diameter (mm) | No. of Contacts |
|--------------------|-----------------------|-----------------|
| A                  | 1.6                   | 2               |
| B                  | 1                     | 3               |
| C                  | 1                     | 4               |
| D                  | 1                     | 5               |
| E                  | 1                     | 6               |
| F                  | 1                     | 7               |

**Table 3**  
Shell Size "E" 16mm

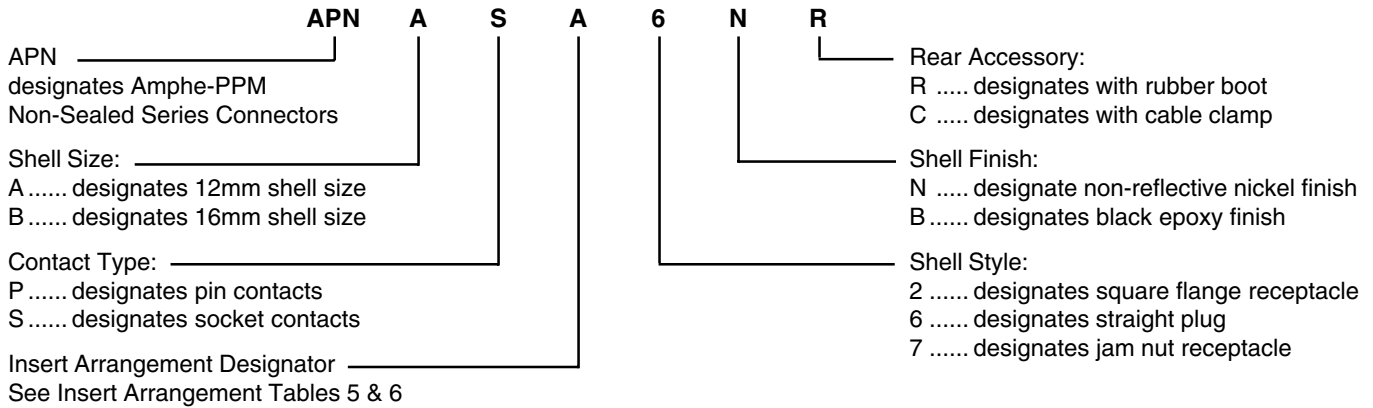
| Insert Arrangement | Contact Diameter (mm) | No. of Contacts |
|--------------------|-----------------------|-----------------|
| A                  | 1.5                   | 2               |
| B                  | 2.5                   | 2               |
| C                  | 1                     | 3               |
| D                  | 1.5                   | 3               |
| E                  | 1                     | 4               |
| F                  | 1.5                   | 4               |
| G                  | 1                     | 5               |
| H                  | 1                     | 7               |
| I                  | 1                     | 9               |
| J                  | 1                     | 12              |

**Table 4**  
Shell Size "F" 18mm

| Insert Arrangement | Contact Diameter (mm)            | No. of Contacts |
|--------------------|----------------------------------|-----------------|
| A                  | 2.5                              | 3               |
| B                  | 1.5                              | 5               |
| C                  | 1.5 (3 contacts), 1 (5 contacts) | 8               |
| D                  | 1                                | 5               |

## HOW TO ORDER

### Amphe-PPM Non-Sealed Connectors



**Table 5**  
**Shell Size "A" 12mm**

| Insert Arrangement | Contact Diameter (mm) | No. of Contacts |
|--------------------|-----------------------|-----------------|
| A                  | 1.6                   | 2               |
| B                  | 1                     | 3               |
| C                  | 1                     | 4               |
| D                  | 1                     | 5               |
| E                  | 1                     | 6               |
| F                  | 1                     | 7               |

**Table 6**  
**Shell Size "B" 16mm**

| Insert Arrangement | Contact Diameter (mm) | No. of Contacts |
|--------------------|-----------------------|-----------------|
| A                  | 1.5                   | 2               |
| B                  | 2.5                   | 2               |
| C                  | 1                     | 3               |
| D                  | 1.5                   | 3               |
| E                  | 1                     | 4               |
| F                  | 1.5                   | 4               |
| G                  | 1                     | 5               |
| H                  | 1                     | 7               |
| I                  | 1                     | 9               |
| J                  | 1                     | 12              |

For additional information on the Amphe-PPM connectors consult Amphenol Industrial Operations.

For further information on your individual application requirements, contact:

Amphenol Corporation  
Amphenol Industrial Operations  
40-60 Delaware Avenue  
Sidney, NY 13838-1395  
Phone: 1-607-563-5011 Fax: 1-607-563-5351  
Internet: [www.amphenol-industrial.com](http://www.amphenol-industrial.com)