

阅读申明

- 1.本站收集的数据手册和产品资料都来自互联网，版权归原作者所有。如读者和版权方有任何异议请及时告之，我们将妥善解决。
- 2.本站提供的中文数据手册是英文数据手册的中文翻译，其目的是协助用户阅读，该译文无法自动跟随原稿更新，同时也可能存在翻译上的不当。建议读者以英文原稿为参考以便获得更精准的信息。
- 3.本站提供的产品资料，来自厂商的技术支持或者使用者的心得体会等，其内容可能存在描述上的差异，建议读者做出适当判断。
- 4.如需与我们联系，请发邮件到marketing@iczoom.com，主题请标有“数据手册”字样。

Read Statement

1. The datasheets and other product information on the site are all from network reference or other public materials, and the copyright belongs to the original author and original published source. If readers and copyright owners have any objections, please contact us and we will deal with it in a timely manner.
2. The Chinese datasheets provided on the website is a Chinese translation of the English datasheets. Its purpose is for reader's learning exchange only and do not involve commercial purposes. The translation cannot be automatically updated with the original manuscript, and there may also be improper translations. Readers are advised to use the English manuscript as a reference for more accurate information.
3. All product information provided on the website refer to solutions from manufacturers' technical support or users the contents may have differences in description, and readers are advised to take the original article as the standard.
4. If you have any questions, please contact us at marketing@iczoom.com and mark the subject with "Datasheets" .



ITT Cannon is the foremost manufacturer of MS and MS type connectors with the widest range of connector styles, sizes and variations in the industry. These connectors utilize the finest materials, which, along with precision manufacturing and rigid quality control, assure ITT Cannon customers of the finest quality connectors. The MS A & B product line has environmentally safe green and black zinc alloy plating. The Black

zinc plating is RoHS compliant. The plating is a high quality, uniform finish. The contact, which are preloaded in the insulator, have been redesigned such that the solder cups remain in the proper orientation and will not rotate during wiring termination. The contacts are machined for strength and durability and plated with silver. The Cannon MS A&B design meets the performance requirements of the MIL-C-5015. The

product is available in all the popular sizes and configurations available in Class A (solid end bell) and Class B (split end bell) versions.

Applications:

- Industrial Controls
- Test Equipment
- Traffic Signals
- Bus Systems

Product Features and Benefits

- High strength aluminum alloy connector
- High strength plastic insulators
- Environmentally safe shell finishes
- Protected against corrosion
- High quality plating finish
- Threaded coupling
- Product is tooled and available in 50 insert patterns
- Machined contacts
- Low cost
- UL recognized

Performance Specifications

| | |
|---------------------|---------------------------------|
| Temperature Range: | -55°C to 125°C (-67°F to 257°F) |
| Current Rating: | 13 A to 150 A* |
| Durability: | 500 mating cycles min. |
| Wire Accommodation: | 0 to 20 AWG* |
| No. of Contacts: | 2 to 48 |
| Termination: | Solder |

*Depending on contact size.

ELECTRICAL SERVICE DATA

Test current ratings of contacts and allowable voltage drop under test conditions when assembled as in service are shown below. Maximum total current to be carried per connector is the same as the allowable in wire bundles as specified in MIL-W-5088.

| Contact Size | Test Current (amps) | Potential Drop (millivolts) |
|--------------|---------------------|-----------------------------|
| 16 | 13 | 49 |
| 12 | 23 | 42 |
| 8 | 46 | 28 |
| 4 | 80 | 23 |
| 0 | 150 | 21 |

HIGH POTENTIAL TEST VOLTAGE

MS connectors show no evidence of breakdown with the test voltage given below is applied between the two closest contacts and between the shell and the contacts closest to the shell for a period of one minute.

| MS Service Rating | Test Voltage (RMS) 60 cps | Suggested* Operating Voltages | | Air Spacing Nom. (inches) | Creepage Distance Nom. (inches) |
|-------------------|---------------------------|-------------------------------|----------|---------------------------|---------------------------------|
| | | DC | AC (rms) | | |
| Inst. | 1000 | 250 | 200 | | 1/16 |
| A | 2000 | 700 | 500 | 1/16 | 1/8 |
| D | 2800 | 1250 | 900 | 1/8 | 3/16 |
| E | 3500 | 1750 | 1250 | 3/16 | 1/4 |
| B | 4500 | 2450 | 1750 | 1/4 | 5/16 |
| C | 7000 | 4200 | 3000 | 5/16 | 1 |

*As indicated in previous MS Specification and to be used by designer only as a guide.

Materials and Finishes

| Description | Material | Finish |
|-------------|-----------------------|--|
| Shell | Aluminum Alloy | Green Zinc Standard, Black Zinc (RoHS), OD CAD |
| Insulator | Hard Plastic | — |
| Contact | Brass or Copper Alloy | Silver |



A

Circular

CA/MS 3100A wall mounting receptacles are used to carry wires through walls or bulkheads, or to provide the means of disconnection at a bulkhead. CA/MS 3100A receptacles mate with CA/MS 3106 and 3108 plugs.



CA/MS 3101A cable connecting receptacles are used for cable extension requirements where mounting provisions are unnecessary. CA/MS 3101A plugs mate with 3106A/B and 3108B connectors.



Note: The D revision of MIL-C-5015 has changed the nomenclature of the 3101 from receptacle to plugs.

CA/MS 3102A box mounted receptacles are used in junction boxes or as an integral part of equipment. CA/MS 3102A receptacles will mate with 3106 and 3108 plugs.



CA/MS 3106A straight plug utilizes a solid endbell. The CA/MS 3106A mates with 3100, 3101, and 3102 connectors



CA/MS 3106B is identical to the 3106A straight plug except it utilizes a split endbell. CA/MS 3106B mates with 3100, 3101, and 3102 connectors.



CA/MS 3108B 90° angle plugs are used where there is limited space and where wires must be brought at abrupt angles. This plug will mate with 3100, 3101, and 3102 connectors.

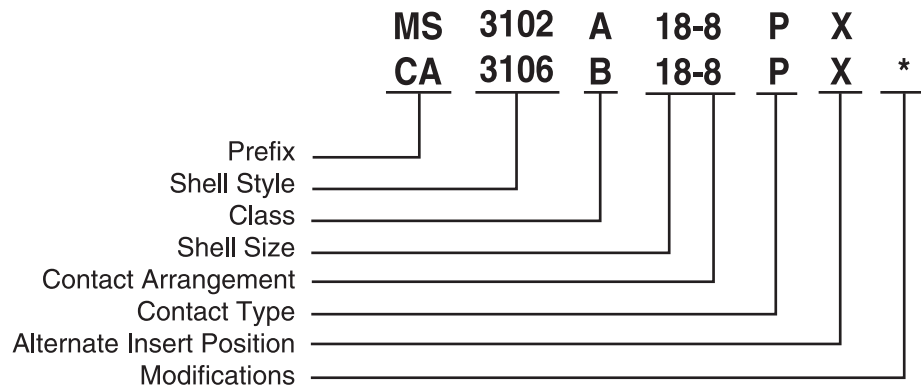




A

Circular

How to Order



SERIES PREFIX

- MS – Complies with Military Specification MIL-C-5015
- CA – Cannon prefix
- CAR – RoHS Compliant (Black Zinc Only)

SHELL STYLE

- 3100 – Wall Mounting Receptacle (A version only)
- 3101 – Cable Connector Receptacle (A version only)
- 3102 – Box Mounting Receptacle
- 3106 – Straight Plug
- 3108 – 90° Angle Plug (B version only)

CLASS

- A – Solid or one-piece endbell
- B – Split or two-piece endbell

SHELL SIZE

Coupling thread diameter in sixteenths of an inch

CONTACT ARRANGEMENTS

Refer to page B-5

CONTACT TYPE

- P – Pin
- S – Socket

ALTERNATE INSERT POSITIONS

Refer to page 4

MODIFICATIONS

A206 (RoHS) Black Zinc Plating
Contact Cannon for other options.



For more information, please contact your local Cannon sales office.

Contact Cavity Arrangements



A

Circular

| | | | | | | | | | | | | |
|----------------|--------------------|---|---|-------------------------|---------------------------------------|--------------------------------------|---|---|-------------------|--|------------------|------------------|
| | | | | | | | | | | | | |
| | 10SL-3* 3 - #16 | 10SL-4* 2 - #16 | 12S-3 2 - #16 | 14S-1 3 - #16 | 14S-2 4 - #16 | 14S-5 5 - #16 | 14S-6 6 - #16 | 14S-7 3 - #16 | 14S-9 2 - #16 | 16-9 2 - #16 (B, D) 2 - #12 (A, C) | 16-10 3 - #12 | 16-11 2 - #12 |
| Service Rating | A | A | A | A | Inst. | Inst. | Inst. | A | A | A | A | A |
| | | | | | | | | | | | | |
| | 16S-1 7 - #16 | 16S-8 5 - #16 | 18-1 10 - #16 | 18-4 4 - #16 | 18-5 1 - #16 (A) 2 - #12 (B, C) | 18-8 7 - #16 (A-G) 1 - #12 (H) | 18-9 5 - #16 (B, C, E-G) 2 - #12 (A, D) | 18-10 4 - #12 | 18-11 5 - #12 | 18-12 6 - #16 | | |
| | A | A | A (B,C,F,G) Inst. (all others) | D | D | A | Inst. | A | A | A | | |
| | | | | | | | | | | | | |
| | 18-20 5 - #16 | 18-22 3 - #16 | 20-3 3 - #12 | 20-4 4 - #12 | 20-7 8 - #16 | 20-19 3 - #8 | 20-27 14 - #16 | 20-29 17 - #16 | 20-33 11 - #16 | | | |
| | A | D | D | D | A (C-F) D (A,B,G,F) | A | A | A | A | | | |
| | | | | | | | | | | | | |
| | 22-2 3 - #8 | 22-14 19 - #16 | 22-19 14 - #16 | 22-23 8 - #12 | 22-28 7 - #12 | 24-2 7 - #12 | 24-10 7 - #8 | 24-20 9 - #16 (A-D, G-L) 2 - #12 (E, F) | | | | |
| | D | A | A | D (H) A (all others) | A | D | A | D | | | | |
| | | | | | | | | | | | | |
| | 24-28 24 - #16 | 28-10 3 - #12 (A, F, G) 2 - #8 (B, E) 2 - #4 (C, D) D (G) A (all others) | 28-11 18 - #16 (A-I, N-X) 4 - #12 (J-M) | 28-12 26 - #16 | 28-15 35 - #16 | 28-16 20 - #16 | 28-21 37 - #16 | | | | | |
| | Inst. | | A | A | A | A | A | | | | | |
| | | | | | | | | | | | | |
| | 36-5 4 - #0 | 36-7 40 - #16 (A-Z, a-s) 7 - #12 (t-z) | 36-8 46 - #16 (A-X, Z-z) 1 - #12 (Y) | 36-10 48 - #16 | | | | | | | | |
| | A | A | A | A | | | | | | | | |

* 10SL is available in the following configurations only: 3100, 3101, 3102, pin contacts only and 3106 and 3108 socket contacts only

Dimensions shown in inches (mm)
Specifications and dimensions subject to change

www.ittcannon.com



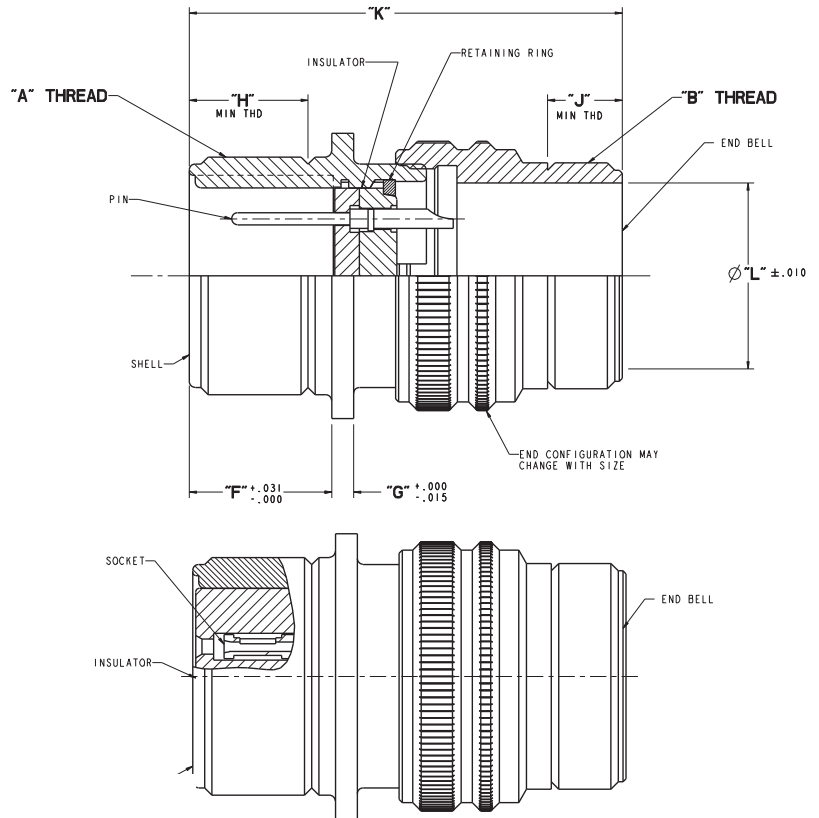
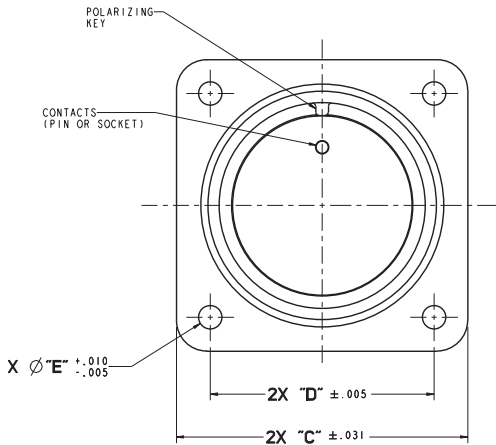
A

Circular

Wall Mounting Receptacle - Solid Endbell

MS3100A

CA/CAR 3100A



TABLE

| SIZE | ITT CANNON HARDWARE KIT NO. (GREEN ZINC) | ITT CANNON HARDWARE KIT NO. (BLACK ZINC) | "A" THREAD (CLASS: 2A) | "B" THREAD (CLASS: 2A) | "C" | "D" | "E" | "F" | "G" | "H" | "J" | "K" | Ø "L" |
|-------|--|--|------------------------|------------------------|---------------|---------------|-------------|--------------|-------------|--------------|--------------|---------------|---------------|
| 10SL* | 002799-0000 | 002799-0001 | 5/8-24 UNEF | 5/8-24 UNEF | 1.000 (25.40) | .718 (18.24) | .120 (3.05) | .562 (14.30) | .093 (2.36) | .375 (9.53) | .354 (9.00) | 1.625 (42.27) | .346 (8.79) |
| 12S | 002602-0000 | 002602-0001 | 3/4-20 UNEF | 5/8-24 UNEF | 1.094 (27.80) | .813 (20.65) | .120 (3.05) | .562 (14.30) | .093 (2.36) | .375 (9.53) | .393 (9.98) | 1.655 (42.04) | .465 (11.81) |
| 14S | 002604-0000 | 002604-0001 | 7/8-20 UNEF | 3/4-20 UNEF | 1.188 (30.20) | .906 (23.00) | .120 (3.05) | .562 (14.30) | .093 (2.36) | .375 (9.53) | .354 (9.00) | 1.705 (45.31) | .575 (14.61) |
| 16S | 002606-0000 | 002606-0001 | 1-20 UNEF | 7/8-20 UNEF | 1.281 (32.50) | .969 (24.60) | .120 (3.05) | .562 (14.30) | .093 (2.36) | .375 (9.53) | .374 (9.50) | 1.775 (45.09) | .669 (17.00) |
| 12 | 002603-0000 | 002603-0001 | 3/4-20 UNEF | 5/8-24 UNEF | 1.094 (27.80) | .813 (20.65) | .120 (3.05) | .750 (19.10) | .093 (2.36) | .625 (15.88) | .393 (9.98) | 1.845 (46.86) | .465 (11.81) |
| 14 | 002605-0000 | 002605-0001 | 7/8-20 UNEF | 3/4-20 UNEF | 1.188 (30.20) | .906 (23.00) | .120 (3.05) | .750 (19.10) | .093 (2.36) | .625 (15.88) | .354 (9.00) | 1.885 (47.88) | .575 (14.61) |
| 16 | 002607-0000 | 002607-0002 | 1-20 UNEF | 7/8-20 UNEF | 1.281 (32.50) | .969 (24.60) | .120 (3.05) | .750 (19.10) | .093 (2.36) | .625 (15.88) | .374 (9.50) | 1.965 (49.91) | .669 (17.00) |
| 18 | 002608-0000 | 002607-0001 | 1 1/8-18 UNEF | 1-20 UNEF | 1.375 (35.00) | 1.062 (27.00) | .120 (3.05) | .750 (19.10) | .115 (2.92) | .625 (15.88) | .374 (9.50) | 2.035 (51.69) | .807 (20.50) |
| 20 | 002609-0000 | 002609-0001 | 1 1/4-18 UNEF | 1 3/16-18 UNEF | 1.500 (38.10) | 1.152 (29.36) | .120 (3.05) | .750 (19.10) | .115 (2.92) | .625 (15.88) | .393 (9.98) | 2.245 (57.02) | .978 (20.50) |
| 22 | 002610-0000 | 002610-0001 | 1 3/8-18 UNEF | 1 3/16-18 UNEF | 1.625 (41.30) | 1.250 (31.75) | .120 (3.05) | .750 (19.10) | .115 (2.92) | .625 (15.88) | .393 (9.98) | 2.185 (55.50) | .980 (24.89) |
| 24 | 002611-0000 | 002611-0001 | 1 1/2-18 UNEF | 1 7/16-18 UNEF | 1.750 (44.45) | 1.375 (31.90) | .147 (3.74) | .812 (20.63) | .115 (2.92) | .625 (15.88) | .393 (9.98) | 2.285 (58.04) | 1.220 (31.00) |
| 28 | 002612-0000 | 002611-0001 | 1 3/4-18 UNS | 1 7/16-18 UNEF | 2.000 (50.80) | 1.562 (39.70) | .147 (3.74) | .812 (20.63) | .115 (2.92) | .625 (15.88) | .394 (10.00) | 2.245 (57.02) | 1.114 (28.30) |
| 32 | 002613-0000 | 002613-0001 | 2-18 UNS | 1 3/4-18 UNS | 2.250 (57.15) | 1.750 (44.45) | .173 (4.40) | .875 (22.23) | .166 (4.21) | .625 (15.88) | .453 (11.50) | 2.275 (57.79) | 1.425 (36.20) |
| 36 | 002614-0000 | 002614-0001 | 2 1/4-16 UN | 2-18 UNS | 2.500 (63.50) | 1.937 (49.20) | .173 (4.40) | .875 (22.23) | .166 (4.21) | .625 (15.88) | .492 (12.50) | 2.485 (63.12) | 1.772 (45.00) |

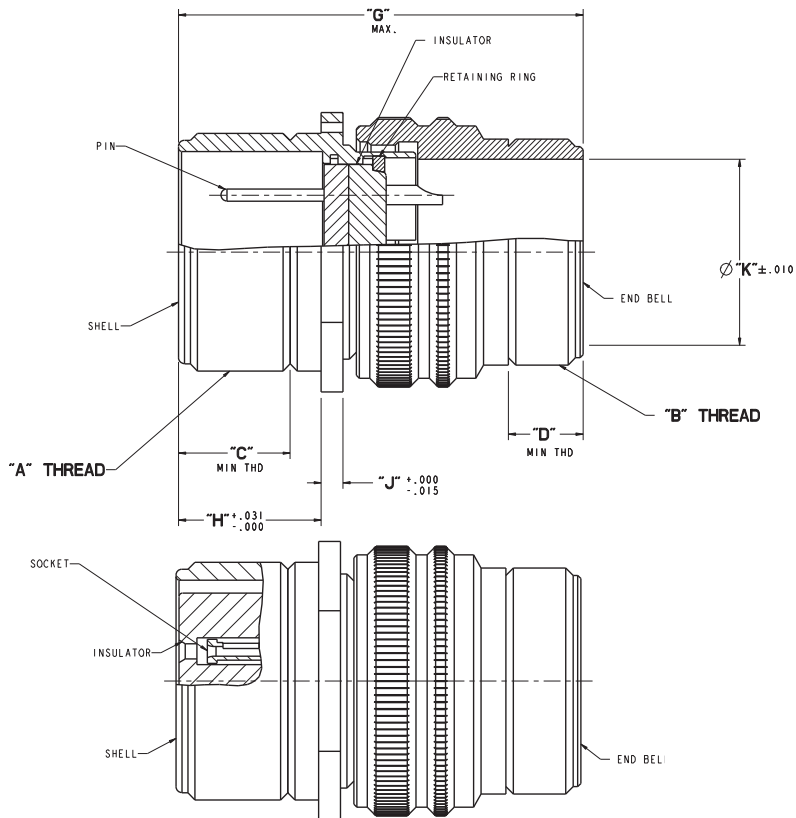
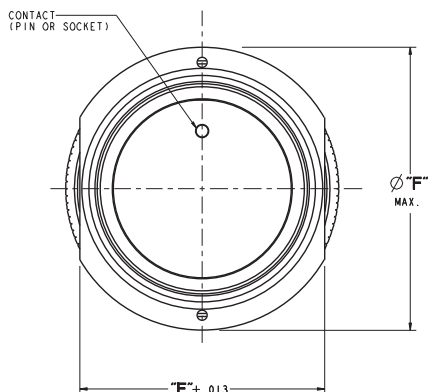
* 10SL is available in the following configurations only: 3100, 3101, 3102, pin contacts only and 3106 and 3108 socket contacts only



Cable Connecting Receptacle - Solid Endbell

MS3101A

CA/CAR 3101A



A
 Circular

TABLE

| SIZE | ITT CANNON HARDWARE KIT NO. (GREEN ZINC) | ITT CANNON HARDWARE KIT NO. (BLACK ZINC) | "A" THREAD (CLASS: 2A) | "B" THREAD (CLASS: 2A) | "C" | "D" | "E" | ϕ "F" | "G" | "H" | "J" | ϕ "K" |
|-------|--|--|------------------------|------------------------|-----------------|-----------------|------------------|------------------|------------------|-----------------|----------------|------------------|
| 10SL* | 030922-0000 | 030922-0001 | 5/8-24 UNEF | 5/8-24 UNEF | .375 (9.53) | .354 (9.00) | .771 (19.58) | .969 (24.61) | 1.531 (38.89) | .562 (14.30) | .093 (2.36) | .346 (8.79) |
| 12S | 030923-0000 | 030923-0001 | 3/4-20 UNEF | 5/8-24 UNEF | .375 (9.53) | .393 (9.98) | .771 (19.58) | 1.062 (26.77) | 1.688 (42.88) | .562 (14.30) | .093 (2.36) | .465 (11.81) |
| 14S | 030925-0000 | 030925-0001 | 7/8-20 UNEF | 3/4-20 UNEF | .375 (9.53) | .354 (9.00) | .898 (22.80) | 1.156 (29.36) | 1.688 (42.88) | .562 (14.30) | .093 (2.36) | .575 (14.61) |
| 16S | 030927-0000 | 030927-0001 | 1-20 UNEF | 7/8-20 UNEF | .375 (9.53) | .374 (9.50) | 1.021 (25.93) | 1.250 (31.75) | 1.688 (42.88) | .562 (14.30) | .093 (2.36) | .669 (17.00) |
| 12 | 030924-0000 | 030924-0001 | 3/4-20 UNEF | 5/8-24 UNEF | .625 (15.88) | .393 (9.98) | .771 (19.58) | 1.062 (26.97) | 2.062 (52.37) | .750 (19.10) | .093 (2.36) | .465 (11.81) |
| 14 | 030926-0000 | 030924-0001 | 7/8-20 UNEF | 3/4-20 UNEF | .625 (15.88) | .354 (9.00) | .898 (22.80) | 1.156 (29.36) | 2.062 (52.37) | .750 (19.10) | .093 (2.36) | .575 (14.61) |
| 16 | 030928-0000 | 030928-0002 | 1-20 UNEF | 7/8-20 UNEF | .625 (15.88) | .374 (9.50) | 1.021 (25.93) | 1.250 (31.75) | 2.062 (52.37) | .750 (19.10) | .093 (2.36) | .669 (17.00) |
| 18 | 030929-0000 | 030929-0001 | 1 1/8-18 UNEF | 1-20 UNEF | .625 (15.88) | .374 (9.50) | 1.145 (29.08) | 1.344 (34.13) | 2.062 (52.37) | .750 (19.10) | .115 (2.92) | .807 (20.50) |
| 20 | 030930-0000 | 030930-0001 | 1 1/4-18 UNEF | 1 3/16-18 UNEF | .625 (15.88) | .393 (9.98) | 1.270 (32.25) | 1.469 (37.30) | 2.188 (55.58) | .750 (19.10) | .115 (2.92) | .978 (24.80) |
| 22 | 030931-0000 | 030931-0001 | 1 3/8-18 UNEF | 1 3/16-18 UNEF | .625 (15.88) | .393 (9.98) | 1.395 (35.43) | 1.594 (40.50) | 2.188 (55.58) | .750 (19.10) | .115 (2.92) | .980 (24.89) |
| 24 | 030932-0000 | 030932-0001 | 1 1/2-18 UNEF | 1 7/16-18 UNEF | .625 (15.88) | .393 (9.98) | 1.520 (38.60) | 1.719 (43.66) | 2.312 (58.72) | .812 (20.63) | .115 (2.92) | 1.220 (31.00) |
| 28 | 030933-0000 | 030933-0001 | 1 3/4-18 UNS | 1 7/16-18 UNEF | .625 (15.88) | .394 (10.00) | 1.770 (45.00) | 1.969 (50.00) | 2.312 (58.72) | .812 (20.63) | .115 (2.92) | 1.114 (28.30) |
| 32 | 030934-0000 | 030934-0001 | 2-18 UNS | 1 3/4-18 UNS | .625 (15.88) | .453 (11.50) | 2.020 (51.30) | 2.219 (56.36) | 2.438 (61.93) | .875 (22.23) | .166 (4.21) | 1.425 (36.20) |
| 36 | 030935-0000 | 030935-0001 | 2 1/4-16 UN | 2-18 UNS | .625 (15.88) | .492 (12.50) | 2.270 (57.65) | 2.469 (62.70) | 2.438 (61.93) | .875 (22.23) | .166 (4.21) | 1.772 (45.00) |

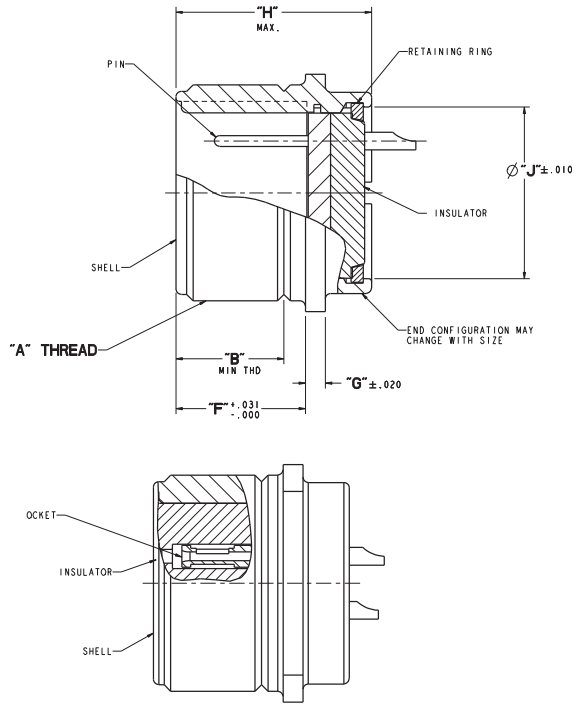
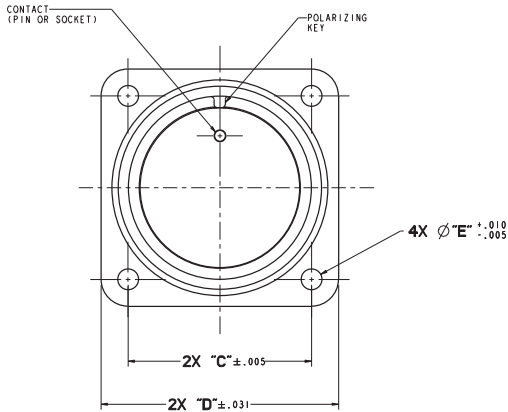
* 10SL is available in the following configurations only: 3100, 3101, 3102, pin contacts only and 3106 and 3108 socket contacts only

Box Mounting Receptacle

MS3102A

CA/CAR 3102A

Circular



TABLE

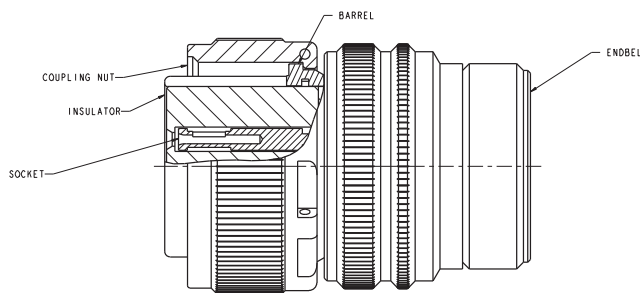
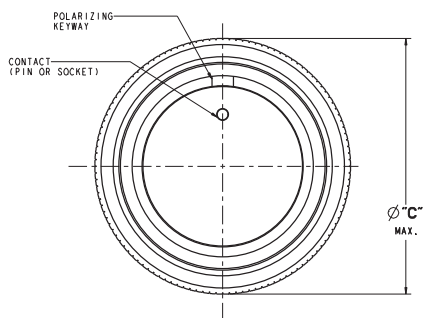
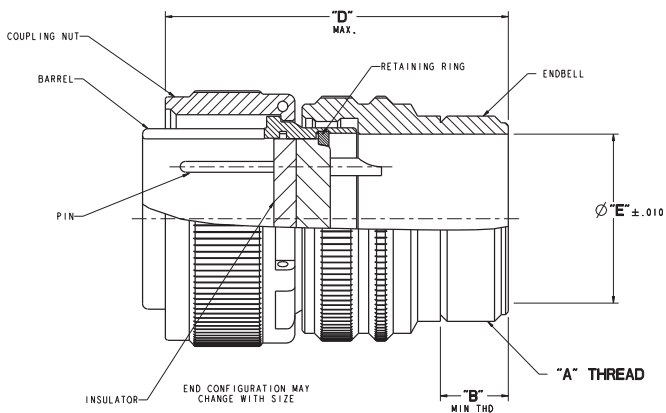
| SIZE | ITT CANNON HARDWARE KIT NO. (GREEN ZINC) | ITT CANNON HARDWARE KIT NO. (BLACK ZINC) | "A" THREAD (CLASS: 2A) | "B" | "C" | "D" | Ø"E" | "F" | "G" | "H" | Ø"J" |
|-------|--|--|------------------------|-----------------|------------------|------------------|----------------|-----------------|----------------|-------------------|-------------------|
| 10SL* | 248-0112-021 | 248-0112-022 | 5/8-24 UNEF | .375 (9.53) | .718 (18.24) | 1.000 (25.40) | .120 (3.05) | .562 (14.30) | .093 (2.36) | .938 (23.83) | .389 (9.88) |
| 12S | 248-0091-027 | 248-0091-028 | 3/4-20 UNEF | .375 (9.53) | .813 (20.65) | 1.094 (27.80) | .120 (3.05) | .562 (14.30) | .093 (2.36) | .955 (24.26) | .517 (13.13) |
| 14S | 248-0093-051 | 248-0093-052 | 7/8-20 UNEF | .375 (9.53) | .906 (23.00) | 1.188 (30.20) | .120 (3.05) | .562 (14.30) | .093 (2.36) | .955 (24.26) | .597 (15.16) |
| 16S | 248-0095-038 | 248-0095-039 | 1-20 UNEF | .375 (9.53) | .969 (24.60) | 1.281 (32.50) | .120 (3.05) | .562 (14.30) | .093 (2.36) | .955 (24.26) | .719 (18.26) |
| 12 | 248-0090-009 | 248-0090-010 | 3/4-20 UNEF | .625 (15.88) | .813 (20.65) | 1.094 (27.80) | .120 (3.05) | .750 (19.10) | .093 (2.36) | 1.143 (29.03) | .517 (13.13) |
| 14 | 248-0092-011 | 248-0092-012 | 7/8-20 UNEF | .625 (15.88) | .906 (23.00) | 1.188 (30.20) | .120 (3.05) | .750 (19.10) | .093 (2.36) | 1.143 (29.03) | .597 (15.16) |
| 16 | 248-0094-023 | 248-0094-024 | 1-20 UNEF | .625 (15.88) | .969 (24.60) | 1.281 (32.50) | .120 (3.05) | .750 (19.10) | .093 (2.36) | 1.143 (29.03) | .719 (18.26) |
| 18 | 248-0096-042 | 248-0096-043 | 1 1/8-18 UNEF | .625 (15.88) | 1.062 (27.00) | 1.375 (35.00) | .120 (3.05) | .750 (19.10) | .115 (2.92) | 1.143 (29.03) | .839 (21.31) |
| 20 | 248-0097-033 | 248-0097-034 | 1 1/4-18 UNEF | .625 (15.88) | 1.156 (29.36) | 1.500 (38.10) | .120 (3.05) | .750 (19.10) | .115 (2.92) | 1.149 (29.18) | .994 (25.25) |
| 22 | 248-0098-040 | 248-0098-041 | 1 3/8-18 UNEF | .625 (15.88) | 1.250 (31.75) | 1.625 (41.30) | .120 (3.05) | .750 (19.10) | .115 (2.92) | 1.149 (29.03) | 1.089 (27.66) |
| 24 | 248-0099-032 | 248-0099-033 | 1 1/2-18 UNEF | .625 (15.88) | 1.375 (31.90) | 1.750 (44.45) | .147 (3.74) | .812 (20.63) | .115 (2.92) | 1.305 (33.015) | 1.216 (30.84) |
| 28 | 248-0100-039 | 248-0100-040 | 1 3/4-18 UNS | .625 (15.88) | 1.562 (39.70) | 2.000 (50.80) | .173 (4.40) | .812 (20.63) | .115 (2.92) | 1.305 (33.15) | 1.436 (36.047) |
| 32 | 248-0101-023 | 248-0101-025 | 2-18 UNS | .625 (15.88) | 1.750 (44.45) | 2.250 (57.15) | .173 (4.40) | .875 (22.23) | .166 (4.21) | 1.305 (33.15) | 1.686 (42.82) |
| 36 | 248-0102-025 | 248-0102-026 | 2 1/4-16 UN | .625 (15.88) | 1.937 (49.20) | 2.500 (63.50) | .173 (4.40) | .875 (22.23) | .166 (4.21) | 1.305 (33.15) | 1.901 (48.29) |

* 10SL is available in the following configurations only: 3100, 3101, 3102, pin contacts only and 3106 and 3108 socket contacts only

Straight Plug - Solid Endbell

MS3106A

CA/CAR 3106A



TABLE

| SIZE | ITT CANNON HARDWARE KIT NO. (GREEN ZINC) | ITT CANNON HARDWARE KIT NO. (BLACK ZINC) | "A" THREAD (CLASS: 2A) | "B" | Ø "C" | "D" | Ø "E" |
|-------|--|--|------------------------|-----------------|------------------|------------------|------------------|
| 10SL* | 030903-0000 | 030903-0002 | 5/8-24 UNEF | .375 (9.53) | .969 (24.61) | 1.531 (38.89) | .346 (8.79) |
| 12S | 030904-0000 | 030904-0001 | 5/8-24 UNEF | .375 (9.53) | 1.062 (26.97) | 1.688 (42.88) | .465 (11.81) |
| 14S | 030906-0000 | 030906-0002 | 3/4-20 UNEF | .375 (9.53) | 1.156 (29.36) | 1.688 (42.88) | .575 (14.61) |
| 16S | 030908-0000 | 030908-0001 | 7/8-20 UNEF | .375 (9.53) | 1.250 (31.75) | 1.688 (42.88) | .669 (17.00) |
| 12 | 030905-0000 | 030905-0001 | 5/8-24 UNEF | .375 (9.53) | 1.062 (26.97) | 2.062 (52.37) | .465 (11.81) |
| 14 | 030907-0000 | 030907-0001 | 3/4-20 UNEF | .375 (9.53) | 1.156 (29.36) | 2.062 (52.37) | .575 (14.61) |
| 16 | 030909-0000 | 030909-0001 | 7/8-20 UNEF | .375 (9.53) | 1.250 (31.75) | 2.062 (52.37) | .669 (17.00) |
| 18 | 030910-0000 | 030910-0002 | 1-20 UNEF | .375 (9.53) | 1.344 (34.14) | 2.062 (52.37) | .807 (20.50) |
| 20 | 030911-0000 | 030911-0003 | 1 3/16-18 UNEF | .375 (9.53) | 1.469 (37.31) | 2.188 (55.58) | .978 (24.89) |
| 22 | 030912-0000 | 030912-0002 | 1 3/16-18 UNEF | .375 (9.53) | 1.594 (40.49) | 2.188 (55.58) | .980 (24.89) |
| 24 | 030913-0000 | 030913-0002 | 1 7/16-18 UNEF | .375 (9.53) | 1.719 (43.66) | 2.312 (58.72) | 1.220 (31.00) |
| 28 | 030914-0000 | 030914-0003 | 1 7/16-18 UNEF | .375 (9.53) | 1.969 (50.01) | 2.312 (58.72) | 1.114 (28.30) |
| 32 | 030915-0000 | 030915-0002 | 1 3/4-18 UNS | .438 (11.13) | 2.219 (56.36) | 2.438 (61.93) | 1.425 (36.20) |
| 36 | 030916-0000 | 030916-0002 | 2-18 UNS | .500 (12.70) | 2.469 (62.71) | 2.438 (61.93) | 1.772 (45.00) |

* 10SL is available in the following configurations only: 3100, 3101, 3102, pin contacts only and 3106 and 3108 socket contacts only

Dimensions shown in inches (mm)
Specifications and dimensions subject to change

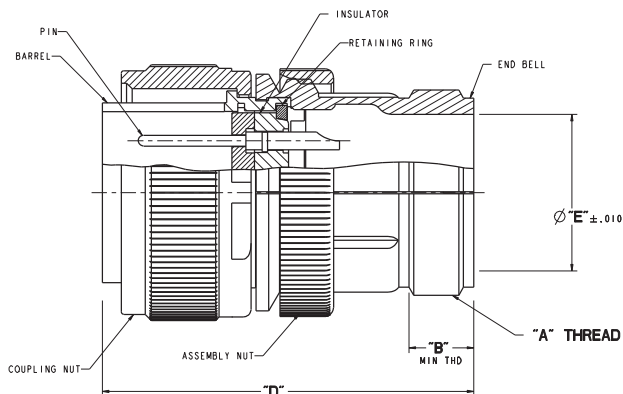
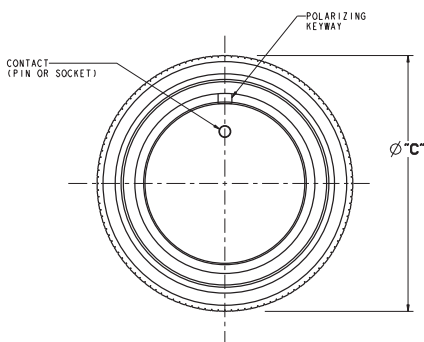
www.ittcannon.com

Straight Plug - Split Endbell

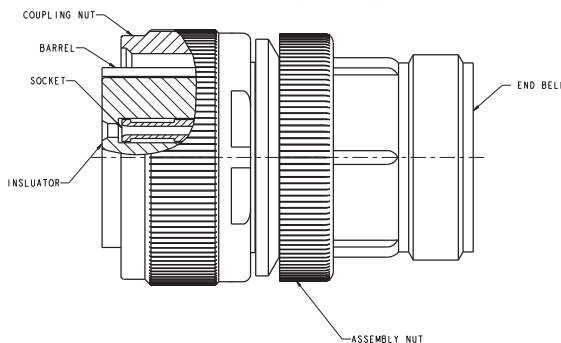
MS3106B

CA/CAR 3106B

Circular



END CONFIGURATION MAY CHANGE WITH SIZE



TABLE

| SIZE | ITT CANNON HARDWARE KIT NO. (GREEN ZINC) | ITT CANNON HARDWARE KIT NO. (BLACK ZINC) | "A" THREAD (CLASS: 2A) | "B" | Ø"C" | "D" | Ø"E" |
|-------|--|--|------------------------|------------------|------------------|------------------|------------------|
| 10SL* | 002778-0001 | 002778-0002 | 5/8-24 UNEF | .751 (19.07) | .969 (24.61) | 1.531 (38.89) | .438 (11.13) |
| 12S | 002779-0000 | 002779-0002 | 5/8-24 UNEF | .751 (19.07) | 1.034 (26.26) | 1.688 (42.88) | .379 (9.62) |
| 14S | 002781-0000 | 002781-0003 | 3/4-20 UNEF | .736 (18.69) | 1.138 (28.90) | 1.688 (42.88) | .489 (12.42) |
| 16S | 002783-0000 | 002783-0003 | 7/8-20 UNEF | .744 (18.89) | 1.256 (31.90) | 1.688 (42.88) | .615 (15.62) |
| 12 | 002780-0000 | 002780-0001 | 5/8-24 UNEF | .751 (19.07) | 1.034 (26.26) | 2.062 (52.37) | .379 (9.62) |
| 14 | 002782-0000 | 002782-0001 | 3/4-20 UNEF | .736 (18.69) | 1.138 (28.90) | 2.062 (52.37) | .489 (12.42) |
| 16 | 002784-0000 | 002784-0002 | 7/8-20 UNEF | .744 (18.89) | 1.256 (31.90) | 2.062 (52.37) | .615 (15.62) |
| 18 | 002785-0000 | 002785-0003 | 1-20 UNEF | .909 (23.08) | 1.331 (33.80) | 2.062 (52.37) | .802 (20.37) |
| 20 | 002786-0000 | 002786-0003 | 1 3/16-18 UNEF | 1.032 (26.31) | 1.479 (37.56) | 2.188 (55.58) | .906 (23.01) |
| 22 | 002787-0000 | 002787-0003 | 1 3/16-18 UNEF | .984 (24.99) | 1.609 (40.86) | 2.188 (55.58) | .906 (23.01) |
| 24 | 002788-0000 | 002788-0003 | 1 7/16-18 UNEF | 1.150 (29.21) | 1.721 (43.71) | 2.312 (58.72) | 1.180 (29.97) |
| 28 | 002789-0000 | 002789-0003 | 1 7/16-18 UNEF | 1.150 (29.21) | 1.997 (50.72) | 2.312 (58.72) | 1.164 (29.56) |
| 32 | 002790-0000 | 002790-0002 | 1 3/4-18 UNS | 1.209 (30.70) | 2.252 (57.20) | 2.438 (61.93) | 1.489 (42.32) |
| 36 | 002791-0000 | 002791-0002 | 2-18 UNS | 1.281 (32.53) | 2.496 (63.39) | 2.438 (61.93) | 1.666 (42.32) |

* 10SL is available in the following configurations only: 3100, 3101, 3102, pin contacts only and 3106 and 3108 socket contacts only

90° Angle Plug - Split Endbell

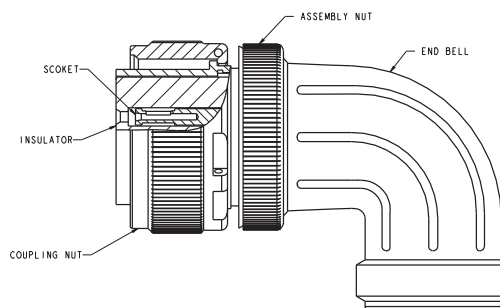
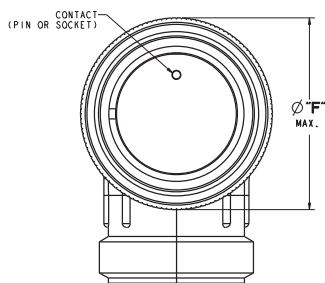
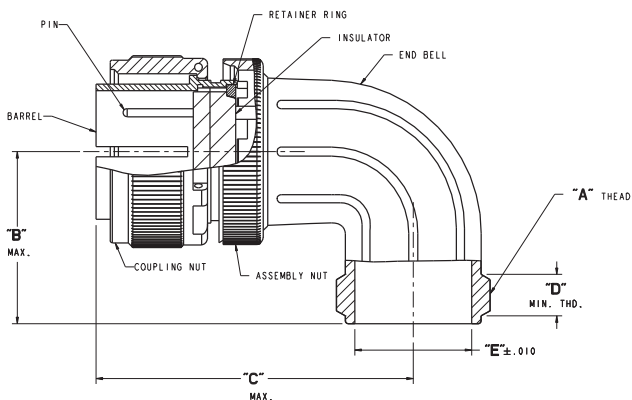
MS3108B

CA/CAR 3108B



A

Circular



TABLE

| SIZE | ITT CANNON HARDWARE KIT NO. (GREEN ZINC) | ITT CANNON HARDWARE KIT NO. (BLACK ZINC) | "A" THREAD (CLASS: 2A) | "B" | "C" | "D" | "E" | "F" |
|-------|--|--|------------------------|------------------|------------------|-----------------|------------------|------------------|
| 10SL* | 002756-0001 | 002756-0002 | 5/8-24 UNEF | 1.00 (25.40) | 1.500 (38.10) | .375 (9.53) | .25 (6.35) | .969 (24.61) |
| 12S | 002757-0000 | 002757-0001 | 5/8-24 UNEF | 1.063 (27.00) | 1.688 (42.86) | .375 (9.53) | .344 (8.74) | 1.062 (26.94) |
| 14S | 002759-0000 | 002759-0002 | 3/4-20 UNEF | 1.125 (28.57) | 1.75 (44.45) | .375 (9.53) | .469 (11.91) | 1.156 (29.36) |
| 16S | 002761-0000 | 002761-0002 | 7/8-20 UNEF | 1.188 (30.17) | 1.938 (49.23) | .375 (9.53) | .594 (15.08) | 1.25 (31.75) |
| 12 | 002758-0000 | 002758-0001 | 5/8-24 UNEF | 1.063 (27.00) | 1.938 (49.23) | .375 (9.53) | .344 (8.74) | 1.062 (26.94) |
| 14 | 002760-0000 | 002760-0001 | 3/4-20 UNEF | 1.125 (28.57) | 1.938 (49.23) | .375 (9.53) | .469 (11.91) | 1.156 (29.36) |
| 16 | 002762-0000 | 002762-0001 | 7/8-20 UNEF | 1.188 (30.17) | 2.125 (53.98) | .375 (9.53) | .594 (15.08) | 1.25 (31.75) |
| 18 | 002763-0000 | 002763-0002 | 1-20 UNEF | 1.313 (33.35) | 2.188 (55.58) | .375 (9.53) | .719 (18.26) | 1.344 (34.14) |
| 20 | 002764-0000 | 002764-0002 | 1 3/16-18 UNEF | 1.375 (34.93) | 2.438 (61.93) | .375 (9.53) | .875 (22.25) | 1.469 (37.31) |
| 22 | 002765-0000 | 002765-0002 | 1 3/16-18 UNEF | 1.375 (34.93) | 2.438 (61.93) | .375 (9.53) | .875 (22.25) | 1.594 (40.49) |
| 24 | 002766-0000 | 002766-0002 | 1 7/16-18 UNEF | 1.563 (39.70) | 2.688 (68.28) | .375 (9.53) | 1.094 (27.78) | 1.719 (43.6) |
| 28 | 002767-0000 | 002767-0002 | 1 7/16-18 UNEF | 1.563 (39.70) | 2.688 (68.28) | .375 (9.53) | 1.094 (27.78) | 1.969 (50.01) |
| 32 | 002768-0000 | 002768-0001 | 1 3/4-18 UNS | 1.875 (47.63) | 2.875 (73.03) | .438 (11.13) | 1.375 (34.93) | 2.219 (56.36) |
| 36 | 002769-0000 | 002769-0002 | 2 -18 UNS | 2.063 (52.40) | 2.938 (74.63) | .500 (12.70) | 1.625 (41.28) | 2.469 (62.71) |

* 10SL is available in the following configurations only: 3100, 3101, 3102, pin contacts only and 3106 and 3108 socket contacts only

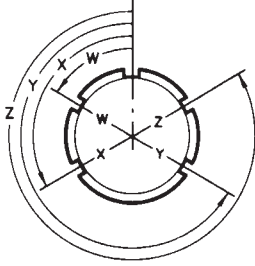


A

Circular

Alternate Insert Positions

Pin front view: Shell rotation



| Contact Arrangement | W° | X° | Y° | Z° |
|---------------------|----|-----|-----|-----|
| 10SL-3 | — | — | — | — |
| 10SL-4 | — | — | — | — |
| 12S-3 | 70 | 145 | 215 | 290 |
| 14S-1 | — | — | — | — |
| 14S-2 | — | 120 | 240 | — |
| 14S-5 | — | 110 | — | — |
| 14S-6 | — | — | — | — |
| 14S-7 | 90 | 180 | 270 | — |

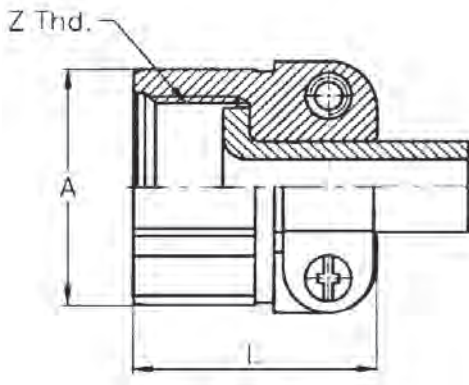
| Contact Arrangement | W° | X° | Y° | Z° |
|---------------------|----|-----|-----|-----|
| 14S-9 | 70 | 145 | 215 | 290 |
| 16-9 | 35 | 110 | 250 | 325 |
| 16-10 | 90 | 180 | 270 | — |
| 16-11 | 35 | 110 | 250 | 325 |
| 16S-1 | 80 | — | — | 280 |
| 16S-8 | — | 170 | 265 | — |
| 18-1 | 70 | 145 | 215 | 290 |
| 18-4 | 35 | 110 | 250 | 325 |
| 18-5 | 80 | 110 | 250 | 280 |
| 18-8 | 70 | — | — | 290 |
| 18-9 | 80 | 110 | 250 | 280 |
| 18-10 | — | 120 | 240 | — |
| 18-11 | — | 170 | 265 | — |
| 18-12 | 80 | — | — | 280 |
| 18-20 | 90 | 180 | 270 | — |
| 18-22 | 70 | 145 | 215 | 290 |
| 20-3 | 70 | 145 | 215 | 290 |
| 20-4 | 45 | 110 | 250 | — |
| 20-7 | 80 | 110 | 250 | 280 |
| 20-19 | 90 | 180 | 270 | — |
| 20-27 | 35 | 110 | 250 | 325 |

| Contact Arrangement | W° | X° | Y° | Z° |
|---------------------|----|-----|-----|-----|
| 20-29 | 80 | — | — | 280 |
| 20-33 | 35 | 110 | 256 | 325 |
| 22-2 | 70 | 145 | 215 | 290 |
| 22-14 | 80 | — | — | 280 |
| 22-19 | 80 | 110 | 250 | 280 |
| 22-23 | 35 | — | 250 | — |
| 22-28 | 80 | — | — | 280 |
| 24-2 | 80 | — | — | 280 |
| 24-10 | 80 | — | — | 280 |
| 24-20 | 80 | 110 | 250 | 280 |
| 24-28 | 80 | 110 | 250 | 280 |
| 28-10 | 80 | 110 | 250 | 280 |
| 28-11 | 80 | 110 | 250 | 280 |
| 28-12 | 90 | 180 | 270 | — |
| 28-15 | 80 | 110 | 250 | 280 |
| 28-16 | 80 | 110 | 250 | 280 |
| 28-21 | 80 | 110 | 250 | 280 |
| 36-5 | — | 120 | 240 | — |
| 36-7 | 80 | 110 | 250 | 280 |
| 36-8 | 80 | 110 | 250 | 280 |
| 36-10 | 80 | 125 | 235 | 280 |

Accessories

Cable clamps are available in both the environmentally safe green zinc and black zinc, and will accommodate shell sizes 10SL-36. Double clamping action provides a balanced, positive hold on the wires and greatly reduces moisture transmission, a real benefit in applications that require environmental sealing. This clamp is provided with the bushing.

| Shell Size | Part Number Green Zinc | Part Number Black Zinc RoHS compliant |
|------------|------------------------|---------------------------------------|
| 10SL, 12S | CA17711-111 | CA17711-103 |
| 14S | CA17711-112 | CA17711-104 |
| 16S, 16 | CA17711-113 | CA17711-101 |
| 18 | CA17711-114 | CA17711-102 |
| 20, 22 | CA17711-115 | CA17711-22 |
| 24, 28 | CA17711-116 | CA17711-105 |
| 32 | CA17711-117 | CA17711-106 |
| 36 | CA17711-118 | CA17711-107 |



| Size | A | L | Z | Green Zinc | Black Zinc RoHS compliant | Cadmium |
|------|---------------|---------------|-----------------|--------------|---------------------------|--------------|
| 4A | .811 (20.60) | .811 (20.60) | 5/8-24INEF-2B | 995-0002-558 | 995-0002-280 | 995-0002-550 |
| 6A | .969 (24.60) | .969 (24.60) | 3/4-20UNEF-2B | 995-0002-559 | 995-0002-281 | 995-0002-551 |
| 8A | 1.094 (27.80) | 1.094 (27.80) | 7/8-20UNEF-2B | 995-0002-560 | 995-0002-282 | 995-0002-552 |
| 10A | 1.89 (30.20) | 1.89 (30.20) | 1-20UNEF-2B | 995-0002-561 | 995-0002-283 | 995-0002-553 |
| 12A | 1.378 (35.00) | 1.378 (35.00) | 13/16-18UNEF-2B | 995-0002-562 | 995-0002-284 | 995-0002-554 |
| 16A | 1.693 (43.00) | 1.693 (43.00) | 17/16-18UNEF-2B | 995-0002-563 | 995-0002-285 | 995-0002-555 |
| 20A | 2.031 (51.60) | 2.031 (51.60) | 1-3/4-18UNS-2B | 995-0002-564 | 995-0002-286 | 995-0002-556 |
| 24A | 2.220 (56.40) | 2.220 (56.40) | 2-18UNS-2B | 995-0002-565 | 995-0002-287 | 995-0002-557 |

Metal Protective Caps



For more information on protective caps contact Interconnect Solutions Sales Offices.



Dimensions shown in inches (mm)
Specifications and dimensions subject to change

ITT Cannon is the foremost manufacturer of MS and MS type connectors with the widest range of connector styles, sizes and variations in the industry. These connectors utilize the finest materials, which, along with precision manufacturing and rigid quality control, assure ITT Cannon customers of the finest quality connectors.

These circular connectors were originally designed for aircraft, but are now widely used in many other fields. They are particularly suitable for commercial applications requiring low cost and high reliability.



ENVIRONMENTAL RESISTANT MS-E, MS-F, MS-R, AND F80 (Solder/Crimp Termination)

MS-E, MS-F and MS-R are similar to MS-A and MS-B connectors but have resilient insulators and wire sealing grommets for extreme environmental conditions and high altitude sealing. MS-E's and MS-F's have a mechanical cable clamp; the MS-R has a shorter, lighter weight endbell without the cable clamp. Both the MS-F and MS-R have O rings to supplement the interfacial seal. Shells are aluminum alloy. Contacts are silver plated copper alloy. The F80 modification (crimp contact termination) is available in E, R, F and BFR styles with resilient insulators.

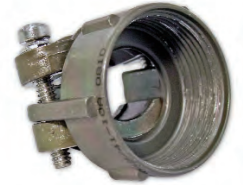
POTTING ER CONNECTORS (Solder Contact Termination)

These Lightweight potting connectors provide resistance to salt water, fuels, etc., and will withstand the effects of high vibration. 3100 and 3106 connectors with plastic potting cups and resilient inserts meet the requirements of MS3103 and MS25183. Contacts are silver plated copper or brass. ER insulators are resilient; shells are aluminum alloy. A 90° plug (3108ER) is also available.



ACCESSORIES

Accessories to fit MS connectors include junction shells, protective caps, dummy or stowage receptacles, cable clamps, telescoping bushings.



Circular
A

How to Order

In the latest revision of MIL-C-5015, a new class of environment-resistant connectors was added. This new class F connector supersedes the previous class E connector. The MS3106F has an O ring under the coupling nut. The class E will be available upon request for existing programs, and upon ordering will also bear the E nomenclature on the shell.

MS-F and MS-R connectors are designed to operate in the extreme environmental conditions of high altitude flight and must be completely sealed to withstand moisture, condensation, vibration, corona and flashover caused by high altitude environments. They have resilient grommet with internal restrictions in the wire cavities which act as O rings around the wires. This allows the wires to slide thru the grommet with a minimum of friction, yet when the ferrule is seated and the endbell tightened it provides a perfect wire seal thru a wide variety of wire diameters. This seal at the rear, plus the interfacial seal at the front, effects a completely environment-resistant assembly when the plug is mated to and F or R receptacle. Sockets are of the closed-entry type.

The temperature range for this connector is -55°C (67°F) to +125° (+257°F) and meets the requirements of MIL-C-5015.

The F80 modification (crimp contact termination) is available in resilient insulators in the E, R, F, and BFR styles, creating a large selection of insert assemblies and hardware. Components are identical to the MS-5015 except that the contacts are modified for crimp termination providing and inexpensive crimp contact connector with the proven reliability of and complete intermateability with the MS-5015 series. Cable clamps have been integrally designed with the endbell on MS-E and MS-F connectors. Class R is without the cable clamp.

Dimensions shown in inches (mm)
Specifications and dimensions subject to change

www.ittcannon.com

MS 3106 R 18 - 1 P W *
CA 3106 F 18 - 1 S - F80*

PREFIX _____

SHELL STYLE _____

CLASS _____

SHELL SIZE _____

CONTACT ARRANGEMENT _____

CONTACT TYPE _____

ALTERNATE INSERT POSITION _____

MODIFICATION CODE _____

PREFIX
MS - Conforms to latest MIL-C-5015 revision.
CA - Cannon designation (for any modification)
CAR - RoHS compliant

SHELL STYLE
3100 - Wall mounting receptacle
3101 - Cable connecting plug
3102 - Box mounting receptacle
3106 - Straight plug
3108 - 90° angle plug

CLASS
E - with resilient insulator and integral clamp for cable strain relief
F - same as E, however style 3106 with O-ring seal under the coupling nut

* When ordering MS3106F to the Cannon part number, designate CA06R.

SHELL SIZE
10S, 12S, 14S, 16S, 16, 18, 20, 22, 24, 28, 32 and 36.

CONTACT ARRANGEMENTS
See pages A-85 to A-89

CONTACT TYPE
P - Pin
S - Socket

ALTERNATE INSERT POSITION
W, X, Y and Z (omit for "Normal", see page A-89)

MODIFICATION CODE
A71 - Electroless Nickel Hardware, RoHS
A176 - Contacts hard gold over nickel, RoHS
A206 - Black zinc cobalt hardware, RoHS
F42 - Connector supplied without endbell, grommet and ferrule
F80 - Snap-in crimp contacts
F183 - Snap-in crimp contacts for metric conductors
DN - CA3106 (plug only), endbell for shrink boot adapter
A232 - Black zinc cobalt hardware, RoHS European version
A233 - Green zinc cobalt hardware, European version





A

Circular

Performance and Material Specifications

MATERIALS AND FINISHES

| | | |
|-----------|-----------------------------|---|
| Shell | Material Finish | Aluminum Alloy O.D. Chromate coating over cadmium plating |
| Insulator | Material | Polychloroprene (resilient) |
| Contacts | Material Finish Termination | Brass or copper alloy Silver plate Tinned solder pot |

WIRING

For class E, F, and R connectors, satisfactory moisture sealing will be obtained if AWG and MS wire sizes and insulation outside diameters are governed by this table.

| Contact Size | Wire Size (MIL-W-5086) | Insulation OD Limit (inches) |
|--------------|------------------------|---------------------------------------|
| 16 | 16 thru 20 | .064 (1.63) min. to .130 (3.30) max. |
| 12 | 12 thru 14 | .114 (2.90) min. to .170 (4.32) max. |
| 8 | 8 thru 10 | .164 (4.17) min. to .255 (6.48) max. |
| 4 | 4 thru 6 | .275 (6.98) min. to .370 (9.40) max. |
| 0 | 0 thru 2 | .415 (10.54) min to .550 (13.97) max. |

ELECTRICAL SERVICE DATA

Test current ratings of contacts and allowable voltage drop under test conditions when assembled as in service are shown below. Maximum total current to be carried per connector is the same as the allowable in wire bundles as specified in MIL-W-5088.

| Contact Size | Test Current (amps) | Potential Drop (millivolts) |
|--------------|---------------------|-----------------------------|
| 16 | 13 | 49 |
| 12 | 23 | 42 |
| 8 | 46 | 26 |
| 4 | 80 | 23 |
| 0 | 150 | 21 |

THERMOCOUPLE CONTACTS

Sizes 12 and 16 contacts, machined from matching thermocouple lead wire alloys, can be supplied in ITT Cannon connectors. These thermocouple contacts maintain continuity from thermal-sensor leads through a bulkhead of other closures in temperature measuring applications.

These contacts for matching lead wires are detailed by the standards of the Instrument Society of America (ISA).

| ISA Standards | Material |
|---------------|-----------------------|
| J and Y | Iron and constantan |
| K | Chromel and alumel |
| T | Copper and constantan |

Since the thermocouple connector applications determines the soldering methods and materials to be used, thermocouple contacts, identified by permanent markings, are normally supplied with untinned solder pots. Thermocouple contacts are supplied only in connectors having resilient insulators.

HIGH POTENTIAL TEST VOLTAGE

MS connectors show no evidence of breakdown when the test voltage given below is applied between the two closest contacts and between the shell and the contacts closest to the shell for a period of one minute.

| MS Service Rating | Test Voltage (RMS) 60 cps | Suggested* Operating Voltages | | Air Spacing Nom. (inches) | Creepage Distance Nom. (inches) |
|-------------------|---------------------------|-------------------------------|----------|---------------------------|---------------------------------|
| | | DC | AC (rms) | | |
| Inst. | 1000 | 250 | 200 | | 1/16 |
| A | 2000 | 700 | 500 | 1/16 | 1/8 |
| D | 2800 | 1250 | 900 | 1/8 | 3/16 |
| E | 3500 | 1750 | 1250 | 3/16 | 1/4 |
| B | 4500 | 2450 | 1750 | 1/4 | 5/16 |
| C | 7000 | 4200 | 3000 | 5/16 | 1 |

*As indicated in previous MS specification and to be used by designer only as a guide.



Circular
A

Contact Arrangements (Face View Pin Insert)

LEGEND

● Not MS Approved. ITT Cannon Proprietary (see ITT Cannon designed alternative insert positions, page A-90)

⌀ High Volume Layouts - readily available from Cannon Distributors

| | | | | | | | | | | | |
|-----------------|------------------------------|---------------------------|----------------------------------|-------------------------------|--------------------------|--|-----------------------------|------------------------|------------------------------|-----------------------------------|----------------------------------|
| | | | | | | | | | | | |
| Shell Size | 8S-1 | 10S-2 | 10SL-4 | 10SL-3 | 10SLA4 | 12S-4 | 12-5 | 12S-3 | 12SA10 | 14-3 | 14S-9 |
| No. of Contacts | 1 #16 | 1 #16 | 2 #16 | 3 #16 | 5 #20 | 1 #16 | 1 #12 | 2 #16 | 4 #16 | 1 #8 | 2 #16 |
| Service Rating | A | A | A | A | A | D | D | A | Inst. | A | A |
| | | | | | | | | | | | |
| Shell Size | 14S-1 | 14S-7 | 14S-2 | 14S-5 | 14S-6 | 16-7 | 16-12 | 16-11 | 16S-4 | 16-13 | 16-12 |
| No. of Contacts | 3 #16 | 3 #16 | 4 #16 | 5 #16 | 6 #16 | 2 #16 (A, B) 1 #8 (C) | 1 #4 | 2 #12 | 2 #16 | 2 #12 (A-Iron B-Constantan) | 2 #16 |
| Service Rating | A | A | Inst. | Inst. | Inst. | A | A | A | D | A | A |
| | | | | | | | | | | | |
| Shell Size | 16S-5 | 16S-6 | 16-10 | 16-9 | 16S-8 | 16S-1 | 18-7 | 18-3 | 16S-5 | 16S-6 | 16-10 |
| No. of Contacts | 3 #16 | 3 #16 | 3 #12 | 2 #16 (B,D) 2 #12 (A,C) | 5 #16 | 7 #16 | 1 #8 | 2 #12 | 3 #16 | 3 #16 | 3 #12 |
| Service Rating | A | A | A | A | A | A | B | D | A | A | A |
| | | | | | | | | | | | |
| Shell Size | 18-5 | 18-22 | 18-4 | 18-10 | 18-13 | 18-15 | 18-11 | 18-12 | 18-5 | 18-22 | 18-4 |
| No. of Contacts | 1 #16(A) 2 #12(B,C) | 3 #16 | 4 #16 | 4 #12 | 3 #12 (B,C,C) 1 #8(A) | 4 #12 (A, C-Iron; B, D-Constantan) | 5 #12 | 6 #16 | 1 #16(A) 2 #12(B,C) | 3 #16 | 4 #16 |
| Service Rating | D | D | D | A | A | A | A | A | D | D | D |
| | | | | | | | | | | | |
| Shell Size | 18-9 | 18-8 | 18-1 | 18-19 | 20-2 | 20-23 | 20-3 | 20-19 | 18-9 | 18-8 | 18-1 |
| No. of Contacts | 5 #16(B,C,E-G) 2 #12(A,D) | 7 #16(A-G) 1 #12(H) | 10 #16 | 10 #16 | 1 #0 | 2 #8 | 3 #12 | 3 #8 | 5 #16(B,C,E-G) 2 #12(A,D) | 7 #16(A-G) 1 #12(H) | 10 #16 |
| Service Rating | Inst. | A | A(B,C,F,G) Inst. (all others) | A | D | A | D | A | Inst. | A | A(B,C,F,G) Inst. (all others) |
| | | | | | | | | | | | |
| Shell Size | 20-4 | 20-24 | 20A-9 | 20A37 | 20A-48 | 20-14 | 20-8 | 20-17 | 20-22 | 20-15 | 20A-9 |
| No. of Contacts | 4 #12 | 2 #16 (A,C) 2 #8 (B,D) | 9 #12 D (J) | ITT Cannon pos. #8 of 20-4 | 19 #16 | 3 #12(C,D,E) 2 #8(A,B) | 4 #16(B,C,E,F) 2 #8(A,D) | 1 #16(F) 5 #12(A-E) | 3 #16(B,D,F) 3 #8(A,C,E) | 7 #12 | 9 #12 D (J) |
| Service Rating | D | A | A (all others) | D | Inst. | A | Inst. | A | A | A | A (all others) |

Dimensions shown in inches (mm)
Specifications and dimensions subject to change



Contact Arrangements (continued)



A

LEGEND

● Not MS Approved. ITT Cannon Proprietary (see ITT Cannon designed alternative insert positions, page A-90)

⌀ High Volume Layouts - readily available from Cannon Distributors

Circular

| | | | | | | | | |
|-----------------|------------------------|------------------------------|----------------------------------|------------------------------|-------------------------|---------------------------|----------------------------|-----------------------------|
| | | | | | | | | |
| Shell Size | 20-7 | 20-16 | 20-18 | 20-33 | 20-11 | 20-27 | 20-29 | 22-7 |
| No. of Contacts | 8 #16 | 7 #16(A-G) 2 #12(H,I) | 6 #16(A,C-E,G,H) 3 #12(B,F,I) | 11 #16 | 13 #16 | 14 #16 | 17 #16 | 1 #0 |
| Service Rating | A(C-F) D(A,B,G,H) | A | A | A | Inst. | A | A | E |
| | | | | | | | | |
| Shell Size | 22-11 | 22-2 | 22-6 | 22-9 | 22-4 | 22-10 | 22-22 | 22-12 |
| No. of Contacts | 2 #16 | 3 #8 | 1 #16(B) 2 #8(A,C) | 3 #12 | 2 #12(A,C) 2 #8(B,D) | 4 #16 | 4 #8 | 3 #16(A,C,D) 2 #8(B,E) |
| Service Rating | B | D | D | E | A | E | A | D |
| | | | | | | | | |
| Shell Size | 22-13 | 22-5 | 22-15 | 22-28 | 22-18 | 22-23 | 22-17 | 22-20 |
| No. of Contacts | 1 #16(E) 4 #12(A-D) | 4 #16(A,C,D,F) 2 #12(B,E) | 1 #16(D) 5 #12(A-C,E,F) | 7 #12 | 8 #16 | 8 #12 | 8 #16(A-D,F-J) 1 #12(E) | 9 #16 |
| Service Rating | A(A-D), D(E) | D | A(A-C,E,F),E(D) | A | A(C-E) D(all others) | D(H) A(all others) | D(A), A(all others) | A |
| | | | | | | | | |
| Shell Size | 22-27 | 22-19 | 22-14 | 24-9 | 24-22 | 24-12 | 24-2 | 24-10 |
| No. of Contacts | 8 #16(A-H) 1 #8(J) | 14 #16 | 19 #16 | 2 #4 | 4 #8 | 3 #12(B,D,E) 2 #4(A,C) | 7 #12 | 7 #8 |
| Service Rating | D(J), A (all others) | A | A | A | D | A | D | A |
| | | | | | | | | |
| Shell Size | 24-27 | 24-6 | 24-11 | 24-20 | 24-19 | 24A24 | 24-5 | 24-7 |
| No. of Contacts | 7 #16 | 8 #12 | 6 #12(A-C,G-I) 3 #8(D-F) | 9 #16(A-D,G-L) 2 #12(E,F) | 12 #16 | 12 #12 | 16 #16 | 14 #16(A-M,O) 2 #12(P,N) |
| Service Rating | E | D(A,G,H) A(all others) | A | D | A | A | A | A |



A

Circular

Contact Arrangements (continued)

LEGEND

● Not MS Approved. ITT Cannon Proprietary (see ITT Cannon designed alternative insert positions, page A-90)

⌀ High Volume Layouts - readily available from Cannon Distributors

| | | | | | | | |
|---------------------------|------|-------------------------|--|---------------------------------|--|-----------------------------|------------------------------------|
| | | | | | | | |
| Shell Size 24-28 | 28-7 | 28-22 | 28-10 | 28-1 | 28A-16 | 28A-63 | 28-19 |
| No. of Contacts 24 #16 | 2 #4 | 3 #16(D-F) 3 #4(A-C) | 3 #12(A,F,G) 2 #8(B,E) 2 #4(C,D) | 6 #12(A,B,D,F,H) 3 #8(C,J,G) | 5 #16 (A, D-F, J) 4 #4 (B, C, G, H) | 9 #12 19 #16 | 6 #16(A-C,H,L,M) 4 #12(E,G,J,K) |
| Service Rating Inst. | D | D | D(G), A(all others) | D(A,E,J) A(all others) | A (e) Inst. (all others) | A (e) Inst. (all others) | A(C,E,G,J,K,L) B(H,M),D(A,B) |

| | | | | | | |
|---|-----------------------------|-----------------------------|------------------------|--------|--------------------------------|--------|
| | | | | | | |
| Shell Size 28-9 | 28-2 | 28-20 | 28-17 | 28-16 | 28-11 | 28-12 |
| No. of Contacts 6 #16(A,H-M) 6 #12(B-G) | 12 #16(A,L,N) 2 #12(M,P) | 4 #16(K-N) 10 #12(A-J,P) | 15 #16 | 20 #16 | 18 #16(A-I, N-X) 4 #12(J-M) | 26 #16 |
| Service Rating D | D | A | A(A-L), B(R) D(M-P) | A | A | A |

| | | | | | | | |
|--|--------|--------|-------|---------------------------|------------------|---------------------------------|--------------------------|
| | | | | | | | |
| Shell Size 28-15 | 28-21 | 28A51 | 32-17 | 32-1 | 32A-69 | 32-15 | 32-9 |
| No. of Contacts 35 #16 | 37 #16 | 43 #16 | 4 #4 | 3 #12(A,C,D) 2 #0(B,E) | 41 #20 20 #16 | 2 #0(A,G) 6 #12(B,C,D,E,F,H) | 12 #16(C-N) 2 #4(A,B) |
| Service Rating A For MIL equip design, use 28-21 | A | A | D | E(A),D(all others) | Inst. | D | D |

| | | | | | | |
|-------------------------|---|--|-----------------------------------|--------|--------|-------------|
| | | | | | | |
| Shell Size 32-5 | 32-6 | 32-8 | 32-7 | 32A47 | 32A10 | 36-4 |
| No. of Contacts 2 #0 | 16 #16(A-O,S) 2 #12(U,V) 3 #8(P,R,T) 2 #4(W,X) | 24 #16(A-L,T-Z,a-e) 6 #12(M-S) 2 #8(O,R) | 28 #16(A-N,W-Z,a-k) 7 #12(O-V) | 47 #16 | 54 #16 | 3 #0 |
| Service Rating D | A | A For new MIL equip. design, use 32-7 | Inst. (A,B,h,i) A(all others) | A | A | A(B,C),C(A) |

*NOTE: Additional layouts are the same as shown but in unique alternate positions. Please consult the factory.

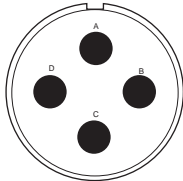


Contact Arrangements (continued)

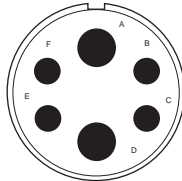
Circular

● Not MS Approved. ITT Cannon Proprietary (see ITT Cannon designed alternative insert positions, page A-90)

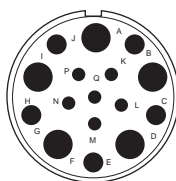
⌀ High Volume Layouts - readily available from Cannon Distributors



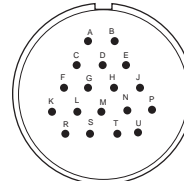
36-5
4 #0



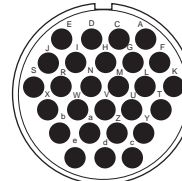
36-6
4 #4(B,C,E,F)
2 #0(A,D)



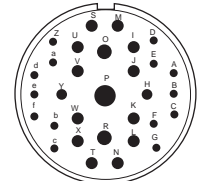
36-14
6 #16(K-N,P,Q)
5 #12(B,D,F,H,J)
5 #8(A,C,E,G,I)



36A16
18 #12
(B,C,V,J,K,M,N,
R, T-Iron; A,D-F,H,L
P,S,U-Constantan)



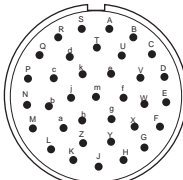
36A46
27 #12



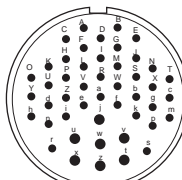
36-9
14 #16(A-G,Z-f)
14 #12(H-N,S-Y)
2 #8(O,R)
1 #4(P)
A

Shell Size
No. of Contacts

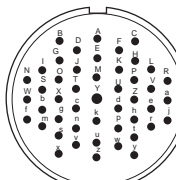
Service Rating



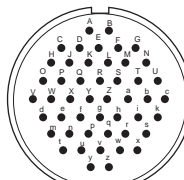
36-15
35 #16



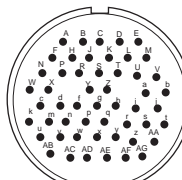
36-7
40 #16(A-Z,a-s)
7 #12(t-z)
A



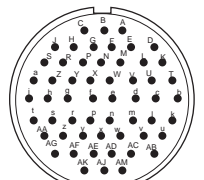
36-8
46 #16(A-X,Z-z)
1 #12(Y)
A



36-10
48 #16
A



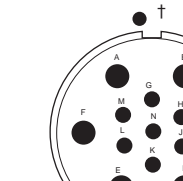
36A34
52 #16
A



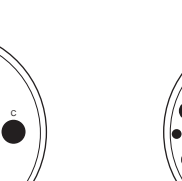
36A66
52 #16(A-c,h-AK)
4 #12(d,e,f,g)
A

Shell Size
No. of Contacts

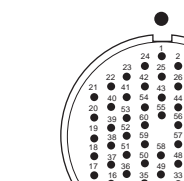
Service Rating



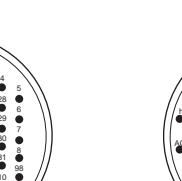
40A33
7 #8(G-N)
6 #4(A-F)
A



40-10
16 #16(A,B,E-H,M,N,P
Q,V-Y,b,c)
9 #8(C,D,I,L,O,R,U,Z,a)
4 #4(K,J,S,T)
A



40A27
60 #16
A



40-56
85 #16
A

Shell Size
No. of Contacts

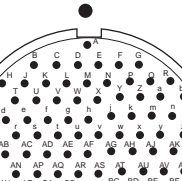
Service Rating



44-1
36 #16(A-S,Z-t)
6 #12(T-Y)
D

Shell Size
No. of Contacts

Service Rating



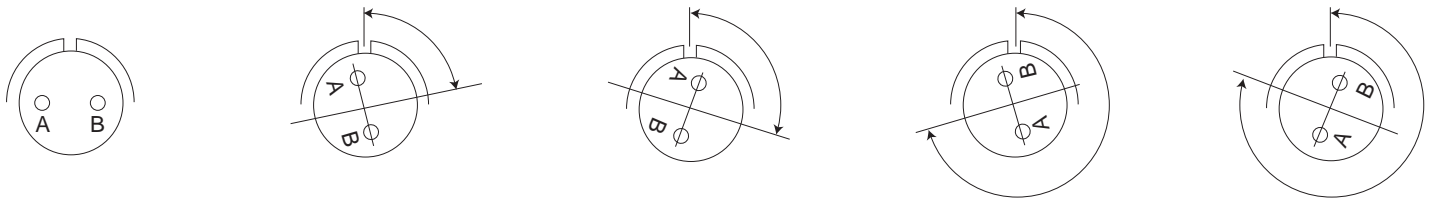
48-5
90 #16(A-BL,BN-BT,BW,BX)
1 #8(CD)
9 #12(BM,BU,BV,BY-CC,CE)
A

Shell Size
No. of Contacts

Service Rating

MS Alternate Insert Positions

All views are looking into front of pin insert of rear of socket insert.



Circular
A

| Normal Position | | | | Position W | | | | Position X | | | | Position Y | | | | Position Z | | | | | | | |
|-----------------|---------------------|-----------|----------------|-----------------------------|-----|-----|------------|---------------------|---------------|----------------|----------|------------|-----|-------|------------|---------------------|----------------|----------------|-----|-----|-----|-----|-----|
| Shell Size | Contact Arrangement | Wire Size | Service Rating | Alternate Positions Degrees | | | Shell Size | Contact Arrangement | Wire Size | Service Rating | W | X | Y | Z | Shell Size | Contact Arrangement | Wire Size | Service Rating | W | X | Y | Z | |
| 8S | 8S-1 | 1 #16 | A | - | - | - | 20 | 20-22 | 3 #16 | A | 80 | 110 | 250 | 280 | 28 | 28-10 | 3 #12 | D(G) | 80 | 110 | 250 | 280 | |
| 10S | 10S-2 | 1 #16 | A | - | - | - | | | 3 #8 | | | | | | | 2 #8 | A(all others) | | | | | | |
| | 10SL-4 | 2 #16 | A | - | - | - | | 20-23 | 2 #8 | A | 35 | 110 | 250 | 325 | | 2 #4 | | | | | | | |
| | 10SL-3 | 3 #16 | A | - | - | - | | 20-24 | 2 #16 | A | 35 | 110 | 250 | 325 | 28-11 | 18 #16 | A | A | 80 | 110 | 250 | 280 | |
| 12 | 12-5 | 1 #12 | D | - | - | - | | | 2 #8 | | | | | | 4 #12 | | | | | | | | |
| 12S | 12S-4 | 1 #16 | D | - | - | - | | 20-27 | 14 #16 | A | 35 | 110 | 250 | 325 | 28-12 | 26 #16 | A | A | 90 | 180 | 270 | - | |
| | 12S-3 | 2 #16 | A | 70 | 145 | 215 | 290 | 20-29 | 17 #16 | A | 80 | - | - | 280 | 28-15 | 35 #16 | A | A | 80 | 110 | 250 | 280 | |
| 14 | 14-3 | 1 #8 | A | - | - | - | | 20-33 | 11 #16 | A | - | - | - | - | 28-16 | 20 #16 | A | A | 80 | 110 | 250 | 280 | |
| 14S | 14S-1 | 3 #16 | A | - | - | - | | 22-2 | 3 #8 | D | 70 | 145 | 215 | 290 | 28-17 | 15 #16 | A | A(A-L),B(R) | 80 | 110 | 250 | 280 | |
| | 14S-2 | 4 #16 | Inst. | - | 120 | 240 | - | 22-4 | 2 #12 | A | 35 | 110 | 250 | 325 | | D(M-P) | | | | | | | |
| | 14S-5 | 5 #16 | Inst. | - | 110 | - | - | | 2 #8 | | | | | 28-19 | 6 #16 | A(C,E,G,J,K,L) | A(C,E,G,J,K,L) | 80 | 110 | 250 | 280 | | |
| | 14S-6 | 6 #16 | Inst. | - | - | - | - | 22-5 | 4 #16 | D | 35 | 110 | 250 | 325 | | 4 #12 | B(H,M), D(A,B) | B(H,M), D(A,B) | 80 | 110 | 250 | 280 | |
| | 14S-7 | 3 #16 | A | 90 | 180 | 270 | - | | 2 #12 | | | | | 28-20 | 4 #16 | A | A | 80 | 110 | 250 | 280 | | |
| | 14S-9 | 2 #16 | A | 70 | 145 | 215 | 290 | 22-6 | 1 #16 | D | 80 | 110 | 250 | 280 | | 10 #16 | | | | | | | |
| 16 | 16-7 | 2 #16 | A | 80 | 110 | 250 | 280 | | 2 #8 | | | | | 28-21 | 37 #16 | A | A | 80 | 110 | 250 | 280 | | |
| | 16-9 | 2 #16 | A | 35 | 110 | 250 | 325 | 22-7 | 1 #0 | E | - | - | - | - | 28-22 | 3 #16 | D | D | 70 | 145 | 215 | 290 | |
| | 16-10 | 3 #12 | A | 90 | 180 | 270 | - | 22-9 | 3 #12 | E | 70 | 145 | 215 | 290 | | 3 #4 | | | | | | | |
| | 16-12 | 1 #4 | A | - | - | - | - | 22-10 | 4 #16 | E | 35 | 110 | 250 | 325 | 32 | 32-1 | 3 #12 | E(A) | 80 | 110 | 250 | 280 | |
| | 16-11 | 2 #12 | A | 35 | 110 | 250 | 325 | 22-11 | 2 #16 | B | 35 | 110 | 250 | 325 | | 2 #0 | D(all others) | D | 80 | 110 | 250 | 325 | |
| | 16-13 | 2 #12 | A | 35 | 110 | 250 | 325 | 22-12 | 3 #16 | D | 80 | 110 | 250 | 280 | | 32-5 | 2 #0 | D | 80 | 110 | 250 | 325 | |
| 16S | 16S-1 | 7 #16 | A | 80 | - | - | 280 | | 2 #8 | | | | | | 32-6 | 16 #16 | A | A | 80 | 110 | 250 | 280 | |
| | 16S-4 | 2 #16 | D | 35 | 110 | 250 | 325 | 22-13 | 1 #16 | A(A-D) | 35 | 110 | 250 | 325 | | 2 #12 | | | | | | | |
| | 16S-5 | 3 #16 | A | 70 | 145 | 215 | 290 | | 4 #12 | D(E) | | | | | 3 #8 | | | | | | | | |
| | 16S-6 | 3 #16 | A | 90 | 180 | 270 | - | 22-14 | 19 #16 | A | 80 | - | - | 280 | 2 #4 | | | | | | | | |
| | 16S-8 | 5 #16 | A | - | 170 | 265 | - | 22-15 | 1 #16 | A(A-C,E,F) | 80 | 110 | 250 | 280 | 32-7 | 28 #16 | Inst.(A,B,h,j) | Inst.(A,B,h,j) | 80 | 125 | 235 | 280 | |
| 18 | 18-1 | 10 #16 | A(B,C,F,G) | 70 | 145 | 215 | 290 | | 5 #12 | E(D) | | | | | 7 #12 | A(all others) | A(all others) | 80 | 125 | 235 | 280 | | |
| | 18-3 | 2 #12 | D | 35 | 110 | 250 | 325 | 22-17 | 8 #16 | D(A) | 80 | 110 | 250 | 280 | 32-8 | 24 #16 | A | A | 80 | 125 | 235 | 280 | |
| | 18-4 | 4 #16 | D | 35 | 110 | 250 | 325 | | 1 #12 | A(all others) | | | | | 6 #12 | | | | | | | | |
| | 18-5 | 1 #16 | D | 80 | 110 | 250 | 280 | 22-18 | 8 #16 | A(C-E) | 80 | 110 | 250 | 280 | 32-9 | 12 #16 | D | D | 80 | 110 | 250 | 280 | |
| | 18-7 | 1 #8 | B | - | - | - | - | | D(all others) | | | | | | 2 #4 | | | | | | | | |
| | 18-8 | 7 #16 | A | 70 | - | - | 290 | 22-19 | 14 #16 | A | 80 | 110 | 250 | 280 | 32-15 | 2 #0 | D | D | 35 | 110 | 250 | 280 | |
| | 18-9 | 5 #16 | Inst. | 80 | 110 | 250 | 280 | 22-20 | 9 #16 | A | 35 | 110 | 250 | 325 | | 6 #12 | | | | | | | |
| | 18-10 | 4 #12 | A | - | 120 | 240 | - | 22-22 | 4 #8 | A | - | 110 | 250 | - | 32-17 | 4 #4 | D | D | 45 | 110 | 250 | - | |
| | 18-11 | 5 #12 | A | - | 170 | 265 | - | 22-23 | 8 #12 | D(H) | 35 | - | 250 | - | 36 | 36-4 | A(B,C) | A(B,C) | 70 | 145 | 215 | 290 | |
| | 18-12 | 6 #16 | A | 80 | - | - | 280 | | A(all others) | | | | | | | D(A) | D(A) | | | | | | |
| | 18-13 | 3 #12 | A | 80 | 110 | 250 | 280 | 22-27 | 8 #16 | D(I) | 80 | - | 250 | 280 | | 4 #0 | A | A | - | 120 | 240 | - | |
| | 18-15 | 4 #12 | A | - | 120 | 240 | - | | 1 #8 | A(all others) | | | | | 36-6 | 4 #4 | A | A | 35 | 110 | 250 | 325 | |
| | 18-19 | 10 #16 | A | - | 120 | 240 | - | 22-28 | 7 #12 | A | 80 | - | - | 280 | | 2 #0 | | | | | | | |
| | 18-22 | 3 #16 | D | 70 | 145 | 215 | 290 | | 7 #12 | A | 80 | 110 | 250 | 280 | 36-7 | 40 #16 | A | A | 80 | 110 | 250 | 280 | |
| 20 | 20-2 | 1 #0 | D | - | - | - | - | 24-2 | 7 #12 | D | 80 | - | - | 280 | | 7-12 | | | | | | | |
| | 20-3 | 3 #12 | D | 70 | 145 | 215 | 290 | 24-5 | 16 #16 | A | 80 | 110 | 250 | 280 | 36-8 | 46 #16 | A | A | 80 | 110 | 250 | 280 | |
| | 20-4 | 4 #12 | D | 45 | 110 | 250 | - | 24-6 | 8 #12 | D(A,G,H) | 80 | 110 | 250 | 280 | | 1 #12 | | | | | | | |
| | 20-7 | 8 #16 | A(C-F) | 80 | 110 | 250 | 280 | | A(all others) | | | | | 36-9 | 14 #16 | A | A | 80 | 125 | 235 | 280 | | |
| | 20-8 | 4 #16 | D(A,B,G,H) | 80 | 110 | 250 | 280 | 24-7 | 14 #16 | A | 80 | 110 | 250 | 280 | | 14 #12 | | | | | | | |
| | 20-14 | 3 #12 | A | 80 | 110 | 250 | 280 | | 2 #12 | | | | | | 2 #8 | | | | | | | | |
| | 20-15 | 7 #12 | A | 80 | - | - | 280 | 24-9 | 2 #4 | A | 35 | 110 | 250 | 325 | | 1 #4 | | | | | | | |
| | 20-16 | 7 #16 | A | 80 | 110 | 250 | 280 | 24-10 | 7 #8 | A | 80 | - | - | 280 | 36-10 | 48 #16 | A | A | 80 | 125 | 235 | 280 | |
| | 20-17 | 1 #16 | A | 90 | 180 | 270 | - | 24-11 | 6 #12 | A | 35 | 110 | 250 | 325 | | 6 #16 | D | D | 90 | 180 | 270 | - | |
| | 20-18 | 6 #16 | A | 35 | 110 | 250 | 325 | | 3 #8 | | | | | 36-14 | 5 #12 | | | | | | | | |
| | 20-19 | 3 #8 | A | 90 | 180 | 270 | - | 24-12 | 3 #12 | A | 80 | 110 | 250 | 280 | | 5 #8 | | | | | | | |
| | | | | | | | | 24-20 | 9 #16 | D | 80 | 110 | 250 | 280 | 36-15 | 35 #16 | D(m) | D(m) | 60 | 125 | 245 | 305 | |
| | | | | | | | | | 2 #12 | | | | | | | A(all others) | A(all others) | | | | | | |
| | | | | | | | | 24-22 | 4 #8 | D | 45 | 110 | 250 | - | 40 | 40-10 | 16 #16 | A | 65 | 125 | 225 | 310 | |
| | | | | | | | | 24-27 | 7 #16 | E | 80 | - | - | 280 | | 9 #8 | | | | | | | |
| | | | | | | | | 24-28 | 24 #16 | Inst. | 80 | 110 | 250 | 280 | 44 | 44-1 | 36 #16 | D | 65 | 125 | 225 | 310 | |
| | | | | | | | | | 3 #8 | A(all others) | 80 | 110 | 250 | 280 | | 4 #4 | | | | | | | |
| | | | | | | | | 28 | 28-1 | 6 #12 | D(A,E,I) | 80 | 110 | 250 | 280 | | 85 #16 | A | A | 72 | 144 | 216 | 288 |
| | | | | | | | | | 3 #8 | A(all others) | | | | | | 6 #12 | | | | | | | |
| | | | | | | | | | 12 #16 | D | 35 | 110 | 250 | 325 | 48 | 48-5 | 90 #16 | A | 65 | 125 | 225 | 310 | |
| | | | | | | | | | 2 #12 | | | | | | | 1 #8 | | | | | | | |
| | | | | | | | | | 2 #4 | D | 35 | 110 | 250 | 325 | | 9 #12 | | | | | | | |
| | | | | | | | | | 6 #12 | D | 80 | 110 | 250 | 280 | | | | | | | | | |

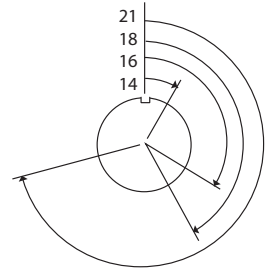
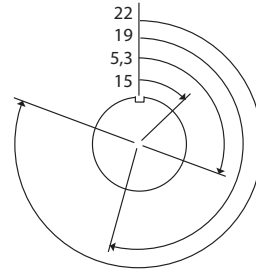
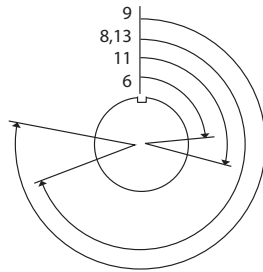
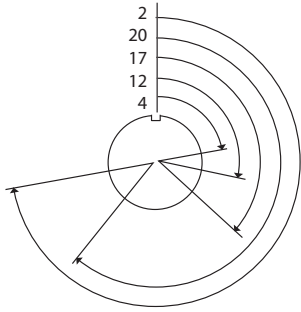
Dimensions shown in inches (mm)
Specifications and dimensions subject to change

ITT Cannon Designated Alternate Insert Positions

Not MS approved.

Circular

A



NOTE: Front view of pin insulator rotates as shown.

| Shell Size | Contact Arrangement | Wire Size | Service Rating | Available Position | |
|------------|---------------------|----------------|----------------------------|--------------------|----|
| 20 | 20A-9 | 9#12 | D (I) A (all others) | | |
| 20 | 20A-48 | 19#16 | Inst. | 4 | 9 |
| 28 | 28A-16 | 5#16 4#4 | A (e) Inst (all others) | 2 | 12 |
| 28 | 28A-63 | 9#12 19#16 | A (e) Inst (all others) | | |
| 32 | 32A-69 | 41#20 20#16 | Inst | 3 | 8 |
| | | 20 | 220 | | |
| | | 21 | 255 | | |
| | | 22 | 290 | | |
| | | 23 | 165 | | |
| | | 24 | 330 | | |
| | | 25 | 235 | | |
| | | 26 | 125 | | |



A

Circular

Wall Mounting Receptacle

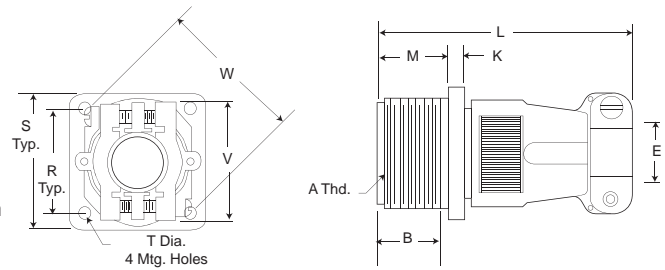
MS3100E / MS3100F
Integral Cable Clamp



CA3100E / CA3100E

MS3100F wall mounting receptacles are used to carry wires thru walls or bulkheads, or to provide a means of disconnection at a bulkhead. MS3100F receptacles mate with 3106 and 3108 plugs.

MS3100E is identical to MS3100F and is available upon request. For new equipment, customer should specify MS3100E.

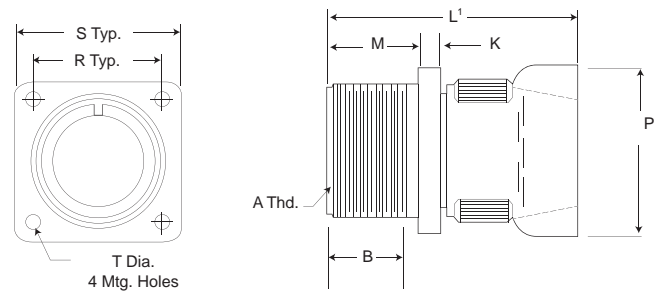


MS3100R



CA3100R

The MS3100R receptacle is identical in purpose to the MS3100F. The MS3100R features a shorter light weight endbell and mates with 3106 and 3108 plugs.



| Shell Size | B | | E | | K | L | L' | E | | P | R | S | | T | | V | W |
|------------|--------------|---------------|--------------|-------------|----------------|----------------|--------------|---------------|---------------|---------------|-------------|---------------|---------------|-------|-------|---|---|
| | Min. | Max. | Min. | Max. | | | | +.031 | -.000 | | | ± .005 | ± .031 | +.010 | -.005 | | |
| 8S | .375 (9.53) | .235 (5.97) | .102 (2.59) | .125 (3.18) | 2.250 (57.15) | 1.838 (46.69) | .562 (14.27) | .890 (22.61) | .594 (15.09) | .875 (22.23) | .120 (3.05) | .840 (21.34) | 1.046 (26.57) | | | | |
| 10S | .375 (9.53) | .235 (5.97) | .102 (2.59) | .125 (3.18) | 2.250 (57.15) | 1.838 (46.69) | .562 (14.27) | .890 (22.61) | .719 (18.26) | 1.000 (25.40) | .120 (3.05) | .840 (21.34) | 1.046 (26.57) | | | | |
| 10SL | .375 (9.53) | .297 (7.54) | .140 (3.56) | .125 (3.18) | 2.250 (57.15) | 1.838 (46.69) | .562 (14.27) | .970 (24.64) | .719 (18.26) | 1.000 (25.40) | .120 (3.05) | .900 (22.86) | 1.125 (28.58) | | | | |
| 12S | .375 (9.53) | .297 (7.54) | .140 (3.56) | .140 (3.56) | 2.250 (57.15) | 1.838 (46.69) | .562 (14.27) | .970 (24.64) | .812 (20.62) | 1.094 (27.79) | .120 (3.05) | .900 (22.86) | 1.125 (28.58) | | | | |
| 14S | .375 (9.53) | .422 (10.72) | .195 (4.95) | .140 (3.56) | 2.250 (57.15) | 1.838 (46.69) | .562 (14.27) | 1.150 (29.21) | .906 (23.01) | 1.188 (30.18) | .120 (3.05) | 1.100 (27.94) | 1.343 (34.11) | | | | |
| 16S | .375 (9.53) | .547 (13.89) | .255 (6.48) | .140 (3.56) | 2.250 (57.15) | 1.838 (46.69) | .562 (14.27) | 1.250 (31.75) | .969 (24.61) | 1.281 (32.54) | .120 (3.05) | 1.200 (30.48) | 1.484 (37.69) | | | | |
| 12 | .625 (15.88) | .297 (7.54) | .140 (3.56) | .146 (3.71) | 2.625 (66.68) | 2.181 (55.40) | .750 (19.05) | .970 (24.64) | .812 (20.62) | 1.094 (27.79) | .120 (3.05) | .900 (22.86) | 1.125 (28.58) | | | | |
| 14 | .625 (15.88) | .422 (10.72) | .195 (4.95) | .146 (3.71) | 2.625 (66.68) | 2.181 (55.40) | .750 (19.05) | 1.150 (29.21) | .906 (23.01) | 1.188 (30.18) | .120 (3.05) | 1.100 (27.94) | 1.343 (34.11) | | | | |
| 16 | .625 (15.88) | .547 (13.89) | .255 (6.48) | .146 (3.71) | 2.625 (66.68) | 2.181 (55.40) | .750 (19.05) | 1.250 (31.75) | .969 (24.61) | 1.281 (32.54) | .120 (3.05) | 1.200 (30.48) | 1.484 (37.69) | | | | |
| 18 | .625 (15.88) | .610 (15.49) | .285 (7.24) | .180 (4.57) | 2.688 (68.28) | 2.181 (55.40) | .750 (19.05) | 1.450 (36.83) | 1.062 (26.97) | 1.375 (34.93) | .120 (3.05) | 1.300 (33.02) | 1.609 (40.87) | | | | |
| 20 | .625 (15.88) | .735 (18.67) | .350 (8.89) | .180 (4.57) | 2.750 (69.85) | 2.181 (55.40) | .750 (19.05) | 1.570 (39.88) | 1.156 (29.36) | 1.500 (38.10) | .120 (3.05) | 1.500 (38.10) | 1.890 (48.01) | | | | |
| 22 | .625 (15.88) | .740 (18.80) | .350 (8.89) | .180 (4.57) | 2.750 (69.85) | 2.181 (55.40) | .750 (19.05) | 1.570 (39.88) | 1.250 (31.75) | 1.625 (41.28) | .120 (3.05) | 1.500 (38.10) | 1.890 (48.01) | | | | |
| 24 | .625 (15.88) | .922 (23.42) | .468 (11.89) | .203 (5.16) | 2.969 (75.44) | 2.181 (55.40) | .812 (20.62) | 1.880 (47.75) | 1.375 (34.93) | 1.750 (44.45) | .147 (3.73) | 1.740 (44.20) | 2.170 (55.12) | | | | |
| 28 | .625 (15.88) | .922 (23.42) | .468 (11.89) | .203 (5.16) | 3.031 (76.99) | 2.181 (55.40) | .812 (20.62) | 1.880 (47.75) | 1.562 (39.67) | 2.000 (50.80) | .147 (3.73) | 1.740 (44.20) | 2.170 (55.12) | | | | |
| 32 | .625 (15.88) | 1.235 (31.37) | .664 (15.87) | .203 (5.16) | 3.031 (76.99) | 2.322 (58.98) | .875 (22.23) | 2.205 (56.01) | 1.750 (44.45) | 2.250 (57.15) | .173 (4.39) | 2.075 (52.71) | 2.656 (67.46) | | | | |
| 36 | .625 (15.88) | 1.360 (34.54) | .694 (17.63) | .203 (5.16) | 3.281 (84.34) | 2.322 (58.98) | .875 (22.23) | 2.400 (60.96) | 1.938 (49.23) | 2.500 (63.50) | .173 (4.39) | 2.300 (58.42) | 2.922 (74.22) | | | | |
| 40 | .625 (15.88) | 1.628 (41.35) | .911 (23.14) | .203 (5.16) | 3.560 (89.66)† | 2.427 (61.65)† | .875 (22.23) | 2.840 (72.14) | 2.188 (55.58) | 2.750 (69.85) | .173 (4.39) | 2.688 (68.28) | - | | | | |

† Not to MS specification

| Shell Size | A Thread | Shell Size | A Thread |
|------------|---------------|------------|-----------------|
| 8S | 1/2-28UNEF-2A | 16 | 1-20UNEF-2A |
| 10S | 5/8-24UNEF-2A | 18 | 1-1/8-18UNEF-2A |
| 10SL | 5/8-24UNEF-2A | 20 | 1-1/4-18UNEF-2A |
| 12S | 3/4-20UNEF-2A | 22 | 1-3/8-18UNEF-2A |
| 14S | 7/8-20UNEF-2A | 24 | 1-1/2-18UNEF-2A |
| 16S | 1-20UNEF-2A | 28 | 1-3/4-18UNS-2A |
| 12 | 3/4-20UNEF-2A | 32 | 2-18UNS-2A |
| 14 | 7/8-20UNEF-2A | 36 | 2-1/4-16UN-2A |
| | | 40 | 2-1/2-16UN-2A |

Performance Specifications - Page A-84

Contact, Ceiling Plugs, Assembly Tools - Page A-105

Contact Arrangements - Page A-85 - A-89

Dimensions shown in inches (mm)
Specifications and dimensions subject to change

www.ittcannon.com



Cable Connecting Plug (Receptacle with no mounting flange)

Circular

MS3101E / MS3101F
Integral Cable Clamp

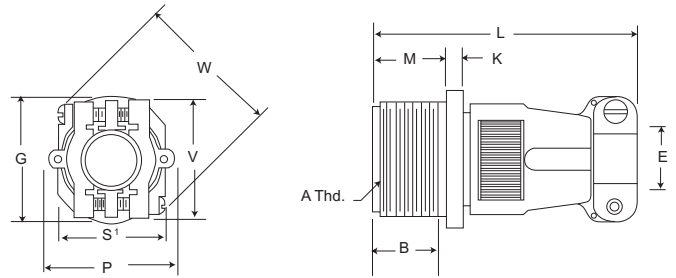


CA3101E / CA3101E

MS3101E cable connecting plugs are used for cable extension requirements, where mounting provisions are unnecessary.

MS3101E receptacle mate with 3106, and 3108 plugs.

Note: MIL-C-5015 has changed the nomenclature of the 3101 from Receptacle to Plug.

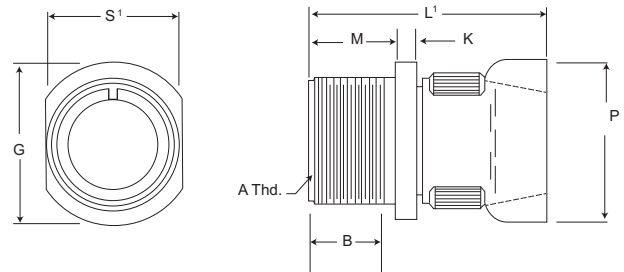


MS3101R



CA3101R

MS3101R cable connecting plug is identical in purpose to the MS3101E. The MS3101R features a shorter light weight endbell and mates with 3106, and 3108 plugs.



| Shell Size | B Min. | E Max. | E Min. | G Max. | K Max. | L Max. | L' Max. | M | | P Max. | S' Max. | V Max. | W Max. |
|------------|--------------|---------------|--------------|---------------|-------------|----------------|----------------|---------------|---------------|---------------|---------------|---------------|--------|
| | | | | | | | | +0.031 (0.79) | -0.000 (0.00) | | | | |
| 8S | .375 (9.53) | .235 (5.97) | .102 (2.59) | .844 (21.44) | .125 (3.18) | 2.250 (57.15) | 1.838 (46.69) | .562 (14.27) | .890 (22.61) | .515 (13.08) | .840 (21.34) | 1.046 (26.57) | |
| 10S | .375 (9.53) | .235 (5.97) | .102 (2.59) | .969 (24.61) | .125 (3.18) | 2.250 (57.15) | 1.838 (46.69) | .562 (14.27) | .890 (22.61) | .640 (16.26) | .840 (21.34) | 1.046 (26.57) | |
| 10SL | .375 (9.53) | .297 (7.54) | .140 (3.56) | 1.062 (26.97) | .125 (3.18) | 2.250 (57.15) | 1.838 (46.69) | .562 (14.27) | .970 (24.64) | .640 (16.26) | .900 (22.86) | 1.125 (28.58) | |
| 12S | .375 (9.53) | .297 (7.54) | .140 (3.56) | 1.062 (26.97) | .140 (3.56) | 2.250 (57.15) | 1.838 (46.69) | .562 (14.27) | .970 (24.64) | .765 (19.43) | .900 (22.86) | 1.125 (28.58) | |
| 14S | .375 (9.53) | .422 (10.72) | .195 (4.95) | 1.156 (29.36) | .140 (3.56) | 2.250 (57.15) | 1.838 (46.69) | .562 (14.27) | 1.150 (29.21) | .890 (22.61) | 1.100 (27.94) | 1.343 (34.11) | |
| 16S | .375 (9.53) | .547 (13.89) | .255 (6.48) | 1.281 (32.54) | .140 (3.56) | 2.250 (57.15) | 1.838 (46.69) | .562 (14.27) | 1.250 (31.75) | 1.015 (25.78) | 1.200 (30.48) | 1.484 (37.69) | |
| 12 | .625 (15.88) | .297 (7.54) | .140 (3.56) | 1.062 (26.97) | .146 (3.71) | 2.625 (66.68) | 2.181 (55.40) | .750 (19.05) | .970 (24.64) | .765 (19.43) | .900 (22.86) | 1.125 (28.58) | |
| 14 | .625 (15.88) | .422 (10.72) | .195 (4.95) | 1.156 (29.36) | .146 (3.71) | 2.625 (66.68) | 2.181 (55.40) | .750 (19.05) | 1.150 (29.21) | .890 (22.61) | 1.100 (27.94) | 1.343 (34.11) | |
| 16 | .625 (15.88) | .547 (13.89) | .255 (6.48) | 1.281 (32.54) | .146 (3.71) | 2.625 (66.68) | 2.181 (55.40) | .750 (19.05) | 1.250 (31.75) | 1.015 (25.78) | 1.200 (30.48) | 1.484 (37.69) | |
| 18 | .625 (15.88) | .610 (15.49) | .285 (7.24) | 1.344 (34.14) | .180 (4.57) | 2.688 (68.28) | 2.181 (55.40) | .750 (19.05) | 1.450 (36.83) | 1.140 (28.96) | 1.300 (33.02) | 1.609 (40.87) | |
| 20 | .625 (15.88) | .735 (18.67) | .350 (8.89) | 1.500 (38.10) | .180 (4.57) | 2.750 (69.85) | 2.181 (55.40) | .750 (19.05) | 1.570 (39.88) | 1.265 (32.13) | 1.500 (38.10) | 1.890 (48.01) | |
| 22 | .625 (15.88) | .740 (18.80) | .350 (8.89) | 1.625 (41.28) | .180 (4.57) | 2.750 (69.85) | 2.181 (55.40) | .750 (19.05) | 1.570 (39.88) | 1.390 (35.31) | 1.500 (38.10) | 1.890 (48.01) | |
| 24 | .625 (15.88) | .922 (23.42) | .468 (11.89) | 1.750 (44.45) | .203 (5.16) | 2.969 (75.44) | 2.181 (55.40) | .812 (20.62) | 1.880 (47.75) | 1.515 (38.48) | 1.740 (44.20) | 2.170 (55.12) | |
| 28 | .625 (15.88) | .922 (23.42) | .468 (11.89) | 2.000 (50.80) | .203 (5.16) | 3.031 (76.99) | 2.181 (55.40) | .812 (20.62) | 1.880 (47.75) | 1.765 (44.83) | 1.740 (44.20) | 2.170 (55.12) | |
| 32 | .625 (15.88) | 1.235 (31.37) | .664 (15.87) | 2.250 (57.15) | .203 (5.16) | 3.031 (76.99) | 2.322 (58.98) | .875 (22.23) | 2.205 (56.01) | 2.015 (51.18) | 2.075 (52.71) | 2.656 (67.46) | |
| 36 | .625 (15.88) | 1.360 (34.54) | .694 (17.63) | 2.500 (63.50) | .203 (5.16) | 3.281 (84.34) | 2.322 (58.98) | .875 (22.23) | 2.400 (60.96) | 2.270 (57.66) | 2.300 (58.42) | 2.922 (74.22) | |
| 40 | .625 (15.88) | 1.628 (41.35) | .911 (23.14) | 2.750 (69.85) | .203 (5.16) | 3.560 (89.66)† | 2.427 (61.65)† | .875 (22.23) | 2.840 (72.14) | 2.427 (61.65) | 2.688 (68.28) | - | |

† Not to MS specification

| Shell Size | A Thread | Shell Size | A Thread |
|------------|---------------|------------|-----------------|
| 8S | 1/2-28UNEF-2A | 16 | 1-20UNEF-2A |
| 10S | 5/8-24UNEF-2A | 18 | 1-1/8-18UNEF-2A |
| 10SL | 5/8-24UNEF-2A | 20 | 1-1/4-18UNEF-2A |
| 12S | 3/4-20UNEF-2A | 22 | 1-3/8-18UNEF-2A |
| 14S | 7/8-20UNEF-2A | 24 | 1-1/2-18UNEF-2A |
| 16S | 1-20UNEF-2A | 28 | 1-3/4-18UNS-2A |
| 12 | 3/4-20UNEF-2A | 32 | 2-18UNS-2A |
| 14 | 7/8-20UNEF-2A | 36 | 2-1/4-16UN-2A |
| | | 40 | 2-1/2-16UN-2A |

Performance Specifications - Page A-84

Contact, Ceiling Plugs, Assembly Tools - Page A-105

Contact Arrangements - Page A-85 - A-89



Dimensions shown in inches (mm)
Specifications and dimensions subject to change

www.ittcannon.com



A

Circular

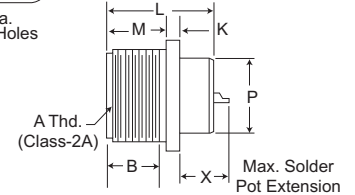
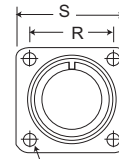
Box Mounting Receptacle

MS3102E / MS3102R

CA3102E / CA3102R



| Shell Size | X DIMENSION | | | | |
|---------------|--------------------------------------|------|------|------|------|
| | Max. Solder Pot Ext. - Pin or Socket | | | | |
| | Contact Size | | | | |
| | 16 | 12 | 8 | 4 | 0 |
| 8S, 10S, 10SL | .534 | - | - | - | - |
| 12S, 14S, 16S | .518 | - | - | - | - |
| 12 | .705 | .705 | - | - | - |
| 14 | .705 | .705 | .767 | - | - |
| 16 | .705 | .705 | .767 | .767 | - |
| 18 | .674 | .674 | .736 | .736 | - |
| 20, 22 | .674 | .674 | .736 | .736 | .971 |
| 24, 28 | .612 | .612 | .674 | .674 | .909 |
| 32, 36 | .549 | .549 | .611 | .611 | .846 |



MS3102E and MS3102R box mounting receptacles are used in junction boxes or as an integral part of equipment. These connectors are identical in construction and will mate with 3106 and 3108 plugs. For new equipment, customers should specify MS3102R.

Straight Plug

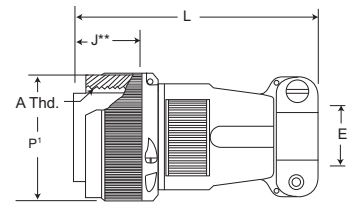
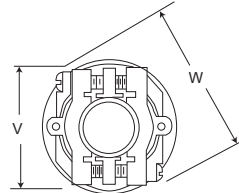
MS3106E / MS3106F

CA3106E / CA3106E

MS3106F straight plugs mate with 3100, 3102 and 3102 receptacles.



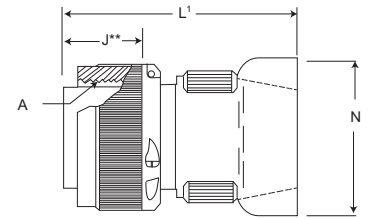
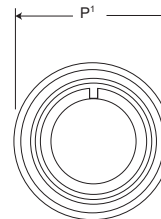
MS3106E is available upon request. For new equipment, customer should specify MS3106F. MS3106E is identical to MS3106F except to O-ring under the coupling nut.



MS3106R

CA3106R

MS3106R straight plug is identical in purpose to the MS3106F. The MS3106R has the shorter endbell. This plug will mate with 3100, 3101, and 3102 receptacles.



| Shell Size | E Max. | E Min. | J** Max. | L Max. | L' Max. | N Max. | P' Max. | V Max. | W Max. |
|------------|---------------|--------------|--------------|----------------|----------------|---------------|----------------|---------------|---------------|
| 8S | .235 (5.97) | .102 (2.59) | .536 (13.61) | 2.250 (57.15) | 1.838 (46.69) | .890 (22.61) | .844 (21.44) | .840 (21.34) | 1.046 (26.57) |
| 10S | .235 (5.97) | .102 (2.59) | .536 (13.61) | 2.250 (57.15) | 1.838 (46.69) | .890 (22.61) | .969 (24.61) | .840 (21.34) | 1.046 (26.57) |
| 10SL | .297 (7.54) | .140 (3.56) | .536 (13.61) | 2.250 (57.15) | 1.838 (46.69) | .970 (24.64) | .969 (24.61) | .900 (22.86) | 1.125 (28.58) |
| 12S | .297 (7.54) | .140 (3.56) | .536 (13.61) | 2.250 (57.15) | 1.838 (46.69) | .970 (24.64) | 1.062 (26.97) | .900 (22.86) | 1.125 (28.58) |
| 14S | .422 (10.72) | .195 (4.95) | .536 (13.61) | 2.250 (57.15) | 1.838 (46.69) | 1.150 (29.21) | 1.156 (29.36) | 1.100 (27.94) | 1.343 (34.11) |
| 16S | .547 (13.89) | .255 (6.48) | .536 (13.61) | 2.250 (57.15) | 1.838 (46.69) | 1.250 (31.75) | 1.250 (31.75) | 1.200 (30.48) | 1.484 (37.69) |
| 12 | .297 (7.54) | .140 (3.56) | .724 (18.39) | 2.625 (66.68) | 2.181 (55.40) | .970 (24.64) | 1.062 (26.97) | .900 (22.86) | 1.125 (28.58) |
| 14 | .422 (10.72) | .195 (4.95) | .724 (18.39) | 2.625 (66.68) | 2.181 (55.40) | 1.150 (29.21) | 1.156 (29.36) | 1.100 (27.94) | 1.343 (34.11) |
| 16 | .547 (13.89) | .255 (6.48) | .724 (18.39) | 2.625 (66.68) | 2.181 (55.40) | 1.250 (31.75) | 1.250 (31.75) | 1.200 (30.48) | 1.484 (37.69) |
| 18 | .610 (15.49) | .285 (7.24) | .724 (18.39) | 2.688 (68.28) | 2.181 (55.40) | 1.450 (36.83) | 1.344 (34.14) | 1.300 (33.02) | 1.609 (40.87) |
| 20 | .735 (18.67) | .350 (8.89) | .724 (18.39) | 2.750 (69.85) | 2.181 (55.40) | 1.570 (39.88) | 1.469 (37.31) | 1.500 (38.10) | 1.890 (48.01) |
| 22 | .740 (18.80) | .350 (8.89) | .724 (18.39) | 2.750 (69.85) | 2.181 (55.40) | 1.570 (39.88) | 1.594 (40.49) | 1.500 (38.10) | 1.890 (48.01) |
| 24 | .922 (23.42) | .468 (11.89) | .724 (18.39) | 2.969 (75.44) | 2.181 (55.40) | 1.880 (47.75) | 1.719 (43.66) | 1.740 (44.20) | 2.170 (55.12) |
| 28 | .922 (23.42) | .468 (11.89) | .724 (18.39) | 3.031 (76.99) | 2.181 (55.40) | 1.880 (47.75) | 1.969 (50.01) | 1.740 (44.20) | 2.170 (55.12) |
| 32 | 1.235 (31.37) | .664 (15.87) | .724 (18.39) | 3.031 (76.99) | 2.322 (58.98) | 2.205 (56.01) | 2.219 (56.36) | 2.075 (52.71) | 2.656 (67.46) |
| 36 | 1.360 (34.54) | .694 (17.63) | .724 (18.39) | 3.281 (84.34) | 2.322 (58.98) | 2.400 (60.96) | 2.469 (62.71) | 2.300 (58.42) | 2.922 (74.22) |
| 40 | 1.628 (41.35) | .911 (23.14) | .724 (18.39) | 3.560 (89.66)† | 2.427 (61.65)† | 2.840 (72.14) | 2.723 (69.16)† | 2.688 (68.28) | - |

† Not to MS specification

Dimensions shown in inches (mm)
Specifications and dimensions subject to change

www.ittcannon.com





A

Circular

Performance Specifications - Page A-84

Contact, Ceiling Plugs, Assembly Tools - Page A-105

Contact Arrangements - Page A-85 – A-89

Straight Plug (continued)

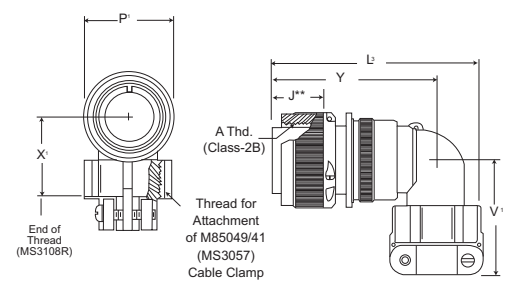
| Shell Size | A Thread | Shell Size | A Thread |
|------------|---------------|------------|-----------------|
| 8S | 1/2-28UNEF-2A | 16 | 1-20UNEF-2A |
| 10S | 5/8-24UNEF-2A | 18 | 1-1/8-18UNEF-2A |
| 10SL | 5/8-24UNEF-2A | 20 | 1-1/4-18UNEF-2A |
| 12S | 3/4-20UNEF-2A | 22 | 1-3/8-18UNEF-2A |
| 14S | 7/8-20UNEF-2A | 24 | 1-1/2-18UNEF-2A |
| 16S | 1-20UNEF-2A | 28 | 1-3/4-18UNS-2A |
| 12 | 3/4-20UNEF-2A | 32 | 2-18UNS-2A |
| 14 | 7/8-20UNEF-2A | 36 | 2-1/4-16UN-2A |
| | | 40 | 2-1/2-16UN-2A |

90° Angle Plug

MS3108E / MS3108R

CA3108E / CA3108R

MS3108R 90° angle plugs with O-ring seal (less cable clamp) and the MS3108E 90° angle plugs (less O-ring seal with cable clamp) are used where there is limited space and where wires must be brought at abrupt angles. These plugs will mate with 3100, 3101 and 3102 receptacles.



| Shell Size | B Min. | J** Max. | K Max. | L Max. | L ³ Max. | M | | P Max. | P ¹ Max. | R ± .005 | S ± .031 | T + .010 - .005 | V ¹ Max. | X ¹ Max. | Y Max. |
|------------|--------------|--------------|-------------|---------------|---------------------|-----------------------------|---------------|----------------|---------------------|---------------|-------------|-----------------|---------------------|---------------------|--------|
| | | | | | | + .031 (0.79) - .000 (0.00) | | | | | | | | | |
| 8S | .375 (9.53) | .536 (13.61) | .125 (3.18) | 1.040 (26.42) | 2.156 (54.76) | .562 (14.27) | .426 (10.86) | .844 (21.44) | .594 (15.09) | .875 (22.23) | .120 (3.05) | 1.281 (30.94) | .811 (20.60) | 1.640 (41.66) | |
| 10S | .375 (9.53) | .536 (13.61) | .125 (3.18) | 1.040 (26.42) | 2.156 (54.76) | .562 (14.27) | .520 (13.21) | .969 (24.61) | .719 (18.26) | 1.000 (25.40) | .120 (3.05) | 1.250 (31.75) | .842 (21.39) | 1.640 (41.66) | |
| 10SL | .375 (9.53) | .536 (13.61) | .125 (3.18) | 1.040 (26.42) | 2.188 (55.58) | .562 (14.27) | .614 (15.60) | .969 (24.61) | .719 (18.26) | 1.000 (25.40) | .120 (3.05) | 1.281 (32.54) | .873 (22.17) | 1.703 (43.26) | |
| 12S | .375 (9.53) | .536 (13.61) | .140 (3.56) | 1.040 (26.42) | 2.188 (55.58) | .562 (14.27) | .614 (15.60) | 1.062 (26.97) | .812 (20.62) | 1.094 (27.79) | .120 (3.05) | 1.281 (32.54) | .873 (22.17) | 1.703 (43.26) | |
| 14S | .375 (9.53) | .536 (13.61) | .140 (3.56) | 1.040 (26.42) | 2.312 (58.72) | .562 (14.27) | .739 (18.77) | 1.156 (29.36) | .906 (23.01) | 1.188 (30.18) | .120 (3.05) | 1.406 (35.71) | .936 (23.77) | 1.765 (44.83) | |
| 16S | .375 (9.53) | .536 (13.61) | .140 (3.56) | 1.040 (26.42) | 2.406 (61.11) | .562 (14.27) | .664 (21.95) | 1.250 (31.75) | .969 (24.61) | 1.281 (32.54) | .120 (3.05) | 1.531 (38.89) | .998 (25.35) | 1.796 (45.62) | |
| 12 | .625 (15.88) | .724 (18.39) | .146 (3.71) | 1.400 (35.56) | 2.531 (64.29) | .750 (19.05) | .614 (15.60) | 1.062 (26.97) | .812 (20.62) | 1.094 (27.79) | .120 (3.05) | 1.281 (32.54) | .873 (22.17) | 2.062 (52.37) | |
| 14 | .625 (15.88) | .724 (18.39) | .146 (3.71) | 1.400 (35.56) | 2.688 (68.28) | .750 (19.05) | .739 (18.77) | 1.156 (29.36) | .906 (23.01) | 1.188 (30.18) | .120 (3.05) | 1.406 (35.71) | .936 (23.77) | 2.125 (53.98) | |
| 16 | .625 (15.88) | .724 (18.39) | .146 (3.71) | 1.400 (35.56) | 2.781 (70.64) | .750 (19.05) | .864 (21.95) | 1.250 (31.75) | .969 (24.61) | 1.281 (32.54) | .120 (3.05) | 1.531 (38.89) | .998 (25.35) | 2.156 (54.76) | |
| 18 | .625 (15.88) | .724 (18.39) | .180 (4.57) | 1.400 (35.56) | 2.844 (72.24) | .750 (19.05) | .989 (25.12) | 1.344 (34.14) | 1.062 (26.97) | 1.375 (34.93) | .120 (3.05) | 1.593 (40.46) | 1.061 (26.95) | 2.250 (57.15) | |
| 20 | .625 (15.88) | .724 (18.39) | .180 (4.57) | 1.400 (35.56) | 3.250 (82.55) | .750 (19.05) | 1.145 (29.08) | 1.469 (37.31) | 1.156 (29.36) | 1.500 (38.10) | .120 (3.05) | 1.656 (42.06) | 1.123 (28.52) | 2.312 (58.72) | |
| 22 | .625 (15.88) | .724 (18.39) | .180 (4.57) | 1.400 (35.56) | 3.250 (82.55) | .750 (19.05) | 1.270 (32.26) | 1.594 (40.49) | 1.250 (31.75) | 1.625 (41.28) | .120 (3.05) | 1.718 (43.64) | 1.186 (30.12) | 2.312 (58.72) | |
| 24 | .625 (15.88) | .724 (18.39) | .203 (5.16) | 1.400 (35.56) | 3.719 (94.46) | .812 (20.62) | 1.395 (35.43) | 1.719 (43.66) | 1.375 (34.93) | 1.750 (44.45) | .147 (3.73) | 1.890 (48.01) | 1.263 (32.08) | 2.531 (64.29) | |
| 28 | .625 (15.88) | .724 (18.39) | .203 (5.16) | 1.400 (35.56) | 3.719 (94.46) | .812 (20.62) | 1.614 (41.00) | 1.969 (50.01) | 1.562 (39.67) | 2.000 (50.80) | .147 (3.73) | 1.968 (49.99) | 1.342 (34.09) | 2.531 (64.29) | |
| 32 | .625 (15.88) | .724 (18.39) | .203 (5.16) | 1.400 (35.56) | 4.188 (106.38) | .875 (22.23) | 1.864 (47.35) | 2.219 (56.36) | 1.750 (44.45) | 2.250 (57.15) | .173 (4.39) | 2.187 (55.55) | 1.561 (39.65) | 2.750 (69.85) | |
| 36 | .625 (15.88) | .724 (18.39) | .203 (5.16) | 1.400 (35.56) | 4.297 (109.14) | .875 (22.23) | 2.051 (52.10) | 2.469 (62.71) | 1.938 (49.23) | 2.500 (63.50) | .173 (4.39) | 2.406 (61.11) | 1.780 (45.21) | 2.875 (73.02) | |
| 40 | .625 (15.88) | .724 (18.39) | .203 (5.16) | 1.400 (35.56) | 7.211 (183.10)† | .875 (22.23) | 2.390 (60.71) | 2.723 (69.16)† | 2.188 (55.58) | 2.750 (69.85) | .173 (4.39) | 5.875 (149.22) | - | 5.690 (144.53) | |

† Not to MS specification

| Shell Size | A Thread | | Shell Size | A Thread | |
|------------|-------------------------|----------------|------------|-------------------------|-----------------|
| | Box Mounting Receptacle | 90° Angle Plug | | Box Mounting Receptacle | 90° Angle Plug |
| 8S | 1/2-28UNEF-2A | 1/2-28UNEF-2B | 16 | 1-20UNEF-2A | 1-20UNEF-2B |
| 10S | 5/8-24UNEF-2A | 5/8-24UNEF-2B | 18 | 1-1/8-18UNEF-2A | 1-1/8-18UNEF-2B |
| 10SL | 5/8-24UNEF-2A | 5/8-24UNEF-2B | 20 | 1-1/4-18UNEF-2A | 1-1/4-18UNEF-2B |
| 12S | 3/4-20UNEF-2A | 3/4-20UNEF-2B | 22 | 1-3/8-18UNEF-2A | 1-3/8-18UNEF-2B |
| 14S | 7/8-20UNEF-2A | 7/8-20UNEF-2B | 24 | 1-1/2-18UNEF-2A | 1-1/2-18UNEF-2B |
| 16S | 1-20UNEF-2A | 1-20UNEF-2B | 28 | 1-3/4-18UNS-2A | 1-3/4-18UNS-2B |
| 12 | 3/4-20UNEF-2A | 3/4-20UNEF-2B | 32 | 2-18UNS-2A | 2-18UNS-2B |
| 14 | 7/8-20UNEF-2A | 7/8-20UNEF-2B | 36 | 2-1/4-16UN-2A | 2-1/4-16UN-2B |
| | | | 40 | 2-1/2-16UN-2A | 2-1/2-16UN-2B |

Performance Specifications - Page A-84

Contact, Ceiling Plugs, Assembly Tools - Page A-105

Contact Arrangements - Page A-85 – A-89



Dimensions shown in inches (mm)
Specifications and dimensions subject to change

www.ittcannon.com



A

Circular

Components

MS3106R
CA3106R
Straight Plug

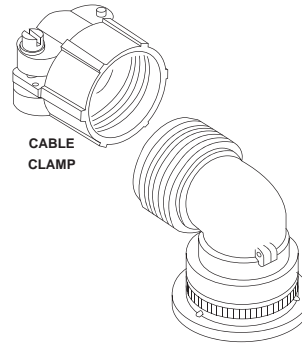
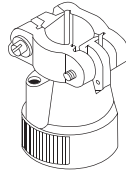
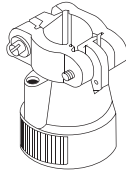
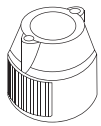
MS3106F
CA06R
Straight Plug

MS3106E*
CA3106E
Straight Plug

MS3108E
CA3108E
90° Angle Plug

MS3108R
CA3108R
90° Angle Plug

Endbell



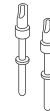
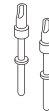
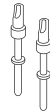
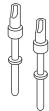
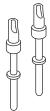
Ferrule



Grommet



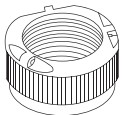
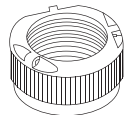
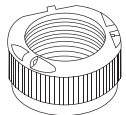
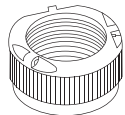
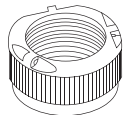
Pin Contacts



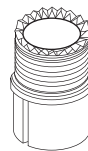
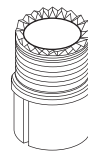
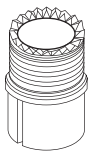
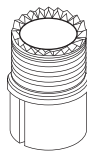
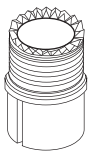
Insulator



Coupling Nut



Barrel



O Ring



Note: Class F is not applicable to MS3108 shell style.

* Class E inactive for new design. Use Class F or R.

Dimensions shown in inches (mm)
Specifications and dimensions subject to change

www.ittcannon.com





A

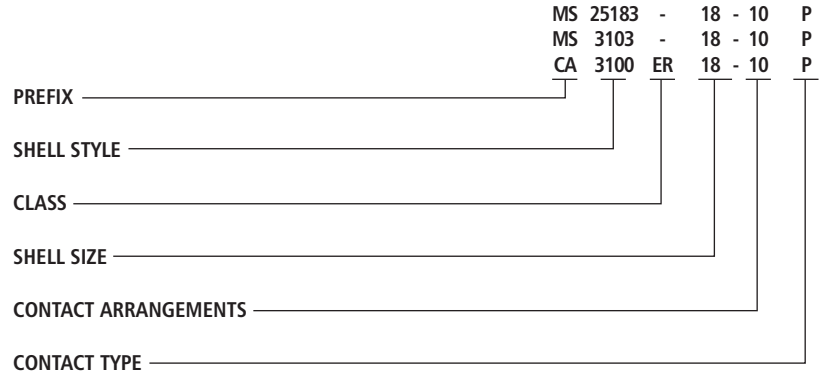
Circular

MS type potting connectors are available with nylon cups. 00 and 06 shell styles with plastic cups and resilient insulators meet the requirements of MS3103 and MS25183. Also available is the 08 plug with resilient insulator and 90° angle nylon potting cup.

ITT Cannon provides for a 1/4" clearance for potting on all contact sizes.



How To Order



PREFIX
CA - ITT Cannon prefix indicating special application or variation of MS

SHELL STYLE
3100 - Wall mounting receptacle (MS3103)
3106 - Straight Plug (MS325183)
3108 - 90° angle plug

CLASS
ER - Resilient insulator, nylon potting cup and thread attachment ring
No class designator for MS types.

SHELL STYLE
Coupling thread diameter figured in sixteenths of an inch

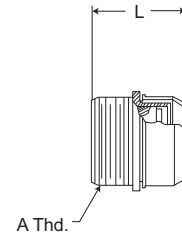
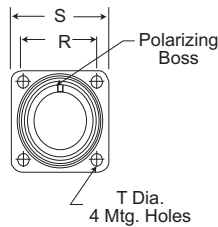
CONTACT ARRANGEMENTS
See pages A-85 – A-89

CONTACT TYPE
P - Pin
S - Socket

Wall Mounting Receptacle

MS3103
Nylon Potting Cup
Threaded Attachment Ring

CA3100ER



The CA3100ER receptacle (MS3103) is supplied with a resilient insulator and nylon potting cup with a threaded attachment ring. This receptacle mates with 3106 and 3108 plugs.

| Shell Size | L Max. | R ± .005 (±0.13) | S Max. | R | | A Thread |
|------------|---------------|---------------------|---------------|----------------|---------------|----------------|
| | | | | + .010 (+0.25) | -.005 (-.031) | |
| 8S | 1.531 (38.89) | .594 (15.09) | .906 (23.01) | .120 (3.05) | | 1/2-28UNEF-2A |
| 10S | 1.531 (38.89) | .719 (18.26) | 1.031 (26.19) | .120 (3.05) | | 5/8-24NEF-2A |
| 10SL | 1.531 (38.89) | .719 (18.26) | 1.031 (26.19) | .120 (3.05) | | 5/8-24NEF-2A |
| 12S | 1.531 (38.89) | .812 (20.62) | 1.125 (28.58) | .120 (3.05) | | 3/4-20UNEF-2A |
| 14S | 1.531 (38.89) | .906 (23.01) | 1.219 (30.96) | .120 (3.05) | | 7/8-20UNEF-2A |
| 16S | 1.531 (38.89) | .969 (24.61) | 1.312 (33.32) | .120 (3.05) | | 1-20UNEF-2A |
| 12 | 1.968 (49.99) | .812 (20.62) | 1.125 (28.58) | .120 (3.05) | | 3/4-20UNEF-2A |
| 14 | 1.968 (49.99) | .906 (23.01) | 1.219 (30.96) | .120 (3.05) | | 3/4-20UNEF-2A |
| 16 | 1.968 (49.99) | .969 (24.61) | 1.312 (33.32) | .120 (3.05) | | 1-20UNEF-2A |
| 18 | 1.968 (49.99) | 1.062 (26.97) | 1.406 (35.71) | .120 (3.05) | | 1-1/8-18NEF-2A |
| 20 | 2.188 (55.58) | 1.156 (29.36) | 1.531 (38.89) | .120 (3.05) | | 1-1/4-18NEF-2A |
| 22 | 2.188 (55.58) | 1.250 (31.75) | 1.656 (42.06) | .120 (3.05) | | 1-3/8-18NEF-2A |
| 24 | 2.188 (55.58) | 1.375 (34.93) | 1.781 (45.24) | .147 (3.73) | | 1-1/2-18NEF-2A |
| 28 | 2.188 (55.58) | 1.562 (39.67) | 2.031 (51.59) | .147 (3.73) | | 1-3/4-18NS-2A |
| 32 | 2.188 (55.58) | 1.750 (44.45) | 2.281 (57.94) | .173 (4.39) | | 2-18NS-2A |
| 36 | 2.188 (55.58) | 1.938 (49.23) | 2.531 (64.29) | .173 (4.39) | | 2-1/4-16UN-2A |

Performance Specifications - Page A-84

Contact, Ceiling Plugs, Assembly Tools - Page A-105

Contact Arrangements - Page A-85 – A-89



Dimensions shown in inches (mm)
Specifications and dimensions subject to change

www.ittcannon.com



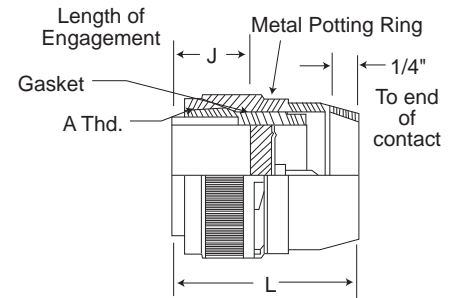
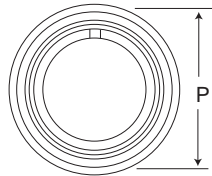
A

Circular

Straight Plug

MS25183
Nylon Potting Cup
Rubber Gasket

CA3106ER

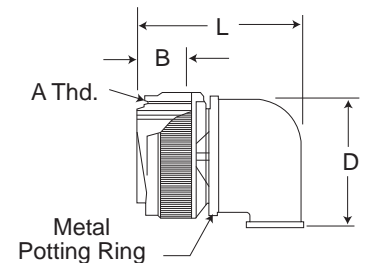
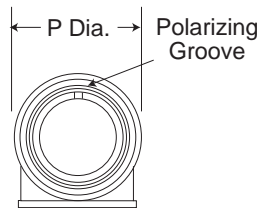


The CA3106ER plug is supplied with resilient insulators, nylon potting cups with threaded attachment rings, and a rubber gasket under the coupling nut. This plug mates with 3100, 3101 and 3102 receptacles.

90° Angle Plug

Nylon Potting Cup
Rubber Gasket

CA3108ER



The CA3108ER is supplied with resilient insulator, 90° nylon potting cup and threaded attachment ring with a rubber gasket under the coupling nut. This plug mates with 3100, 3101 and 3102 receptacles.

| CA3106ER | | | | | CA3108ER | | | | | |
|------------|--------------|---------------|---------------|-----------------|-------------|--------------|-------------------------------|-----------------------------|--------------|-----------------|
| Shell Size | J Max. | L Max. | P Max. | A Thread | B Max. | D Max. | L Max. | | P Max. | A Thread |
| | | | | | | | For Arr. w/#16 & #12 Contacts | For Arr. w/#8 & #4 Contacts | | |
| 8S | .536 (13.61) | 1.562 (39.67) | .844 (21.44) | 1/2-28UNEF-2B | - | - | - | - | - | - |
| 10S | .536 (13.61) | 1.562 (39.67) | .969 (21.44) | 5/8-24UNEF-2B | - | - | - | - | - | - |
| 10SL | .536 (13.61) | 1.562 (39.67) | .969 (21.44) | 5/8-24UNEF-2B | .563(13.61) | 1.040(26.42) | 1.463(37.16) | - | 969(24.61) | 5/8-24UNEF-2B |
| 12S | .536 (13.61) | 1.562 (39.67) | 1.062 (21.44) | 3/4-20UNEF-2B | .563(13.61) | 1.040(26.42) | 1.600(40.64) | - | 1.062(26.97) | 3/4-24UNEF-2B |
| 14S | .536 (13.61) | 1.562 (39.67) | 1.156 (21.44) | 7/8-20UNEF-2B | .563(13.61) | 1.040(26.42) | 1.600(40.64) | 2.300(58.42) | 1.156(29.36) | 7/8-20UNEF-2B |
| 16S | .536 (13.61) | 1.562 (39.67) | 1.250 (21.44) | 1-20UNEF-2B | .563(13.61) | 1.290(32.77) | 1.600(40.64) | 2.550(64.77) | 1.250(31.75) | 1-20UNEF-2B |
| 12 | .724 (18.39) | 2.000 (50.80) | 1.062 (26.97) | 3/4-20UNEF-2B | .724(18.39) | 1.040(26.42) | 1.910(48.51) | - | 1.062(26.97) | 3/4-20UNEF-2B |
| 14 | .724 (18.39) | 2.000 (50.80) | 1.156 (29.36) | 7/8-20UNEF-2B | .724(18.39) | 1.040(26.42) | 1.910(48.51) | 2.610(66.29) | 1.156(29.36) | 7/8-20UNEF-2B |
| 16 | .724 (18.39) | 2.000 (50.80) | 1.250 (31.75) | 1-20UNEF-2B | .724(18.39) | 1.290(32.77) | 1.910(48.51) | 2.850(72.39) | 1.250(31.75) | 1-20UNEF-2B |
| 18 | .724 (18.39) | 2.000 (50.80) | 1.344 (34.14) | 1-1/8-18UNEF-2B | .724(18.39) | 1.290(32.77) | 2.100(53.34) | 2.850(72.39) | 1.344(34.14) | 1-1/8-18UNEF-2B |
| 20 | .724 (18.39) | 2.125 (53.98) | 1.469 (37.31) | 1-1/4-18UNEF-2B | .724(18.39) | 1.540(39.12) | 2.100(53.34) | 2.850(72.39) | 1.469(37.31) | 1-1/4-18UNEF-2B |
| 22 | .724 (18.39) | 2.125 (53.98) | 1.594 (40.49) | 1-3/8-18UNEF-2B | .724(18.39) | 1.540(39.12) | 2.100(53.34) | 2.850(72.39) | 1.594(40.49) | 1-3/8-18UNEF-2B |
| 24 | .724 (18.39) | 2.125 (53.98) | 1.719 (43.66) | 1-1/2-18UNEF-2B | .724(18.39) | 1.790(45.47) | 2.281(57.94) | 2.985(75.82) | 1.719(43.66) | 1-1/2-18UNEF-2B |
| 28 | .724 (18.39) | 2.125 (53.98) | 1.969 (50.01) | 1-3/4-18UNS-2B | .724(18.39) | 2.040(51.82) | 2.485(63.12) | 2.985(75.82) | 1.969(50.01) | 1-3/4-18UNS-2B |
| 32 | .724 (18.39) | 2.180 (55.37) | 1.219 (30.96) | 2-18UNS-2B | .724(18.39) | 2.290(58.17) | 2.485(63.12) | 2.985(75.82) | 1.219(30.96) | 2-18UNS-2B |
| 36 | .724 (18.39) | 2.180 (55.37) | 2.469 (62.71) | 2-1/4-16UN-2B | .724(18.39) | 2.540(64.52) | 2.485(63.12) | 2.985(75.82) | 2.469(62.71) | 2-1/4-16UN-2B |
| 40 | .724 (18.39) | 2.180 (55.37) | 2.723 (69.16) | 2-1/2-16UN-2B | | | | | | |

Performance Specifications - Page A-84

Contact, Ceiling Plugs, Assembly Tools - Page A-105

Contact Arrangements - Page A-85 – A-89

Dimensions shown in inches (mm)
Specifications and dimensions subject to change

www.ittcannon.com





A

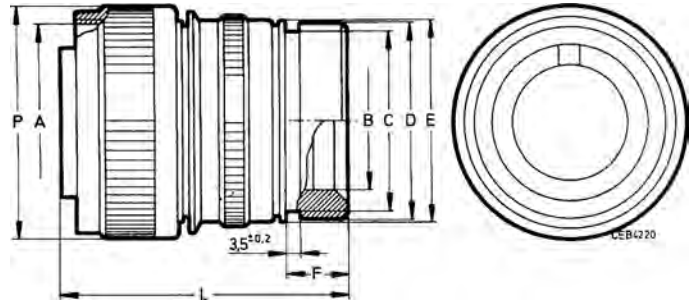
Circular



Straight Plug with Shrink Boot Adapter

CA3106E-DN

CA3106E-DN is a straight plug with endbell for shrink boot adapters. Crimp and solder versions are available (please indicate ...F80 or ...F183). CA3106-DN mate with 3100, 3101 and 3102 shell styles.



| Order reference | A | B | C | D | E | F | L | P |
|--------------------|----------------|------|------|------|------|------|------|------|
| Pin insert* | Thread | min. | max. | ±0.2 | ±0,2 | 0,5 | max. | max. |
| CA3106E10SL-**P-DN | 5/8-24NEF-2B | 7,7 | 13,2 | 15,5 | 17,0 | 11,7 | 11,7 | 50,0 |
| CA3106E12S-**P-DN | 3/4-20UNEF-2B | 7,9 | 13,2 | 15,5 | 17,8 | 11,8 | 58,8 | 25,6 |
| CA3106E14S-**P-DN | 7/8-20UNEF-2B | 10,6 | 17,0 | 19,1 | 19,1 | 11,7 | 50,0 | 28,6 |
| CA3106E16S-**P-DN | 1-20UNEF-2B | 13,5 | 21,9 | 23,9 | 23,9 | 11,5 | 50,0 | 31,8 |
| CA3106E12-**P-DN | 3/4-20UNEF-2B | 7,9 | 13,2 | 15,5 | 17,8 | 11,7 | 50,0 | 25,6 |
| CA3106E14-**P-DN | 7/8-20UNEF-2B | 10,6 | 17,0 | 19,1 | 20,1 | 11,7 | 60,0 | 28,6 |
| CA3106E16-**P-DN | 1-20UNEF-2B | 13,5 | 21,9 | 23,9 | 23,5 | 11,5 | 60,0 | 31,8 |
| CA3106E18-**P-DN | 1-1/8-18NEF-2B | 14,6 | 21,9 | 23,9 | 26,5 | 12,7 | 60,0 | 34,1 |
| CA3106E20-**P-DN | 1-1/4-18NEF-2B | 18,5 | 26,6 | 29,6 | 30,2 | 12,7 | 65,0 | 37,3 |
| CA3106E22-**P-DN | 1-3/8-18NEF-2B | 20,8 | 26,2 | 29,6 | 33,6 | 12,7 | 65,0 | 40,5 |
| CA3106E24-**P-DN | 1-1/2-16NEF-2B | 24,6 | 34,5 | 37,8 | 36,1 | 12,7 | 65,0 | 43,8 |
| CA3106E28-**P-DN | 1-3/4-18NS-2B | 27,0 | 34,5 | 37,8 | 41,4 | 12,7 | 65,0 | 50,0 |
| CA3106E32-**P-DN | 2-18NS-2B | 33,3 | 43,6 | 47,8 | 48,6 | 15,2 | 70,0 | 56,3 |
| CA3106E36-**P-DN | 2-1/4-16UN-2B | 38,5 | 43,6 | 47,8 | 54,8 | 15,2 | 80,0 | 62,7 |

*For socket inserts substitute S for P

**Add contact arrangement number (see pages A-85 – A-89)

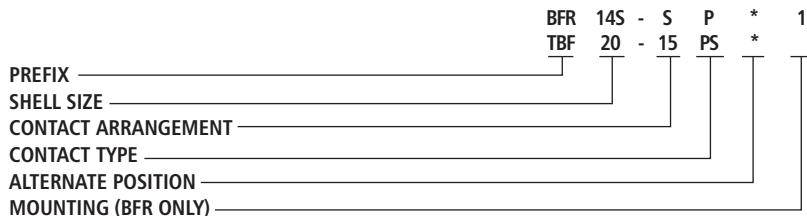


A

Circular

How To Order

TBF and BFR pressurized bulkhead receptacles mate with standard MS type plugs (3106 and 3108) if contact arrangements correspond. Both the BFR and TBF have resilient insulators. The TBF (thru bulkhead fitting) version has a double faced construction allowing mating from both ends. An O-ring is supplied as standard on both the BFR and TBF. Contacts are silver plated copper or brass alloy. Shells are aluminum alloy.



PREFIX
BFR - Bulkhead fittings
TBF - Thru bulkhead fittings

CONTACT TYPE
P - Pin; S - Socket;
PS - pin and socket (TBF only)

SHELL SIZE
Coupling thread diameter figured in sixteenths of an inch.

ALTERNATE POSITION
(Consult factory for available alternate positions.)

CONTACT ARRANGEMENTS
See pages A-85 – A-89

MOUNTING
-1 obligatory code, BFR only

Thru-Bulkhead Receptacle

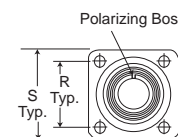
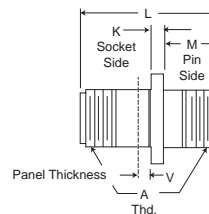
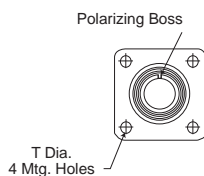
TBF - Resilient Insulator



Pin Insert Ends



Socket Insert Ends



TBF thru-bulkhead fittings have pressurized resilient insulators. Special double-faced pin and socket contact construction permits cable components to be wired and tested in the shop and then to be plugged into the mounted TBF plug to complete the installation. The TBF mates with 3106, 3107 and 3108 plugs.

| Shell Size | K Max. | L Max. | M | | T | | V Max. | A Thread |
|------------|-------------|---------------|---------------|---------------|---------------|---------------|--------------|-----------------|
| | | | + .031 (0.79) | - .000 (0.00) | + .010 (0.25) | - .005 (0.13) | | |
| 8S | .125 (3.18) | 1.482 (37.64) | .562 (14.27) | .594 (15.09) | .875 (22.22) | .120 (3.05) | .325 (8.26) | 1/2-28UNEF-2A |
| 10S | .125 (3.18) | 1.482 (37.64) | .562 (14.27) | .179 (18.26) | 1.000 (25.40) | .120 (3.05) | .325 (8.26) | 5/8-24UNEF-2A |
| 10SL | .125 (3.18) | 1.482 (37.64) | .562 (14.27) | .179 (18.26) | 1.000 (25.40) | .120 (3.05) | .325 (8.26) | 5/8-24UNEF-2A |
| 12S | .140 (3.56) | 1.482 (37.64) | .562 (14.27) | .812 (20.62) | 1.094 (27.79) | .120 (3.05) | .325 (8.26) | 3/4-20UNEF-2A |
| 14S | .140 (3.56) | 1.482 (37.64) | .562 (14.27) | .906 (23.01) | 1.188 (30.18) | .120 (3.05) | .325 (8.26) | 7/8-20UNEF-2A |
| 16S | .140 (3.56) | 1.482 (37.64) | .562 (14.27) | .968 (24.59) | 1.281 (32.54) | .120 (3.05) | .325 (8.26) | 1-20UNEF-2A |
| 12 | .146 (3.71) | 2.030 (51.56) | .750 (19.05) | .812 (20.62) | 1.094 (27.79) | .120 (3.05) | .445 (11.30) | 3/4-20UNEF-2A |
| 14 | .146 (3.71) | 2.030 (51.56) | .750 (19.05) | .906 (23.01) | 1.188 (30.18) | .120 (3.05) | .445 (11.30) | 7/8-20UNEF-2A |
| 16 | .146 (3.71) | 2.030 (51.56) | .750 (19.05) | .968 (24.59) | 1.281 (32.54) | .120 (3.05) | .445 (11.30) | 1-20UNEF-2A |
| 18 | .180 (4.57) | 2.030 (51.56) | .750 (19.05) | 1.062 (26.97) | 1.375 (34.92) | .120 (3.05) | .445 (11.30) | 1-1/8-18UNEF-2A |
| 20 | .180 (4.57) | 2.030 (51.56) | .750 (19.05) | 1.156 (29.36) | 1.500 (38.10) | .120 (3.05) | .445 (11.30) | 1-1/4-18UNEF-2A |
| 22 | .180 (4.57) | 2.030 (51.56) | .750 (19.05) | 1.250 (31.75) | 1.625 (34.28) | .120 (3.05) | .445 (11.30) | 1-3/8-18UNEF-2A |
| 24 | .203 (5.16) | 2.030 (51.56) | .812 (20.62) | 1.375 (34.92) | 1.750 (44.45) | .147 (3.73) | .383 (9.73) | 1-1/2-18UNEF-2A |
| 28 | .203 (5.16) | 2.030 (51.56) | .812 (20.62) | 1.562 (39.67) | 2.000 (50.80) | .147 (3.73) | .383 (9.73) | 1-3/4-18UNS-2A |
| 32 | .203 (5.16) | 2.030 (51.56) | .875 (22.22) | 1.750 (44.45) | 2.250 (57.15) | .173 (4.39) | .320 (8.13) | 2-18UNS-2A |
| 36 | .203 (5.16) | 2.030 (51.56) | .812 (20.62) | 1.938 (49.23) | 2.500 (63.50) | .173 (4.39) | .383 (9.73) | 2-1/4-16UN-2A |
| 40 | .203 (5.16) | 2.030 (51.56) | .875 (22.22) | 2.188 (55.58) | 2.750 (69.85) | .173 (4.39) | .383 (9.73) | |

Performance Specifications - Page A-84

Contacts, Sealing Plugs, Assembly Tools - Page A-105

Contact Arrangements - Page A-85 – A-89

Dimensions shown in inches (mm)
Specifications and dimensions subject to change

www.ittcannon.com



MIL-DTL-5015 Bulkhead Receptacles BFR/TBF

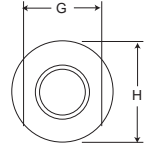
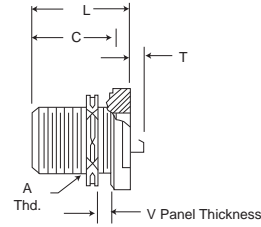
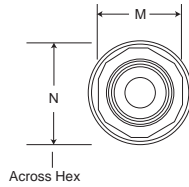


A

Circular

BFR

Pressurized Bulkhead Receptacle



Standard Position
Pin is 3/32" Dia.

TYPE 1

BFR pressurized bulkhead receptacles withstand the air leakage requirements of MIL-C-5015 not to exceed 1 cu. in. of air per hour when subjected to a pressure differential of 30 psi at -55°C. Insulators are resilient material bonded to aluminum shell. Both pin and socket assemblies are available. The BFR will mate with standard MS type 3106 and 3108 plugs.

- Shell Standard
- Insulator Polychloroprene
- Lock Nut Hex with 6 wire holes
- O Ring Neoprene
- Position Pin Standard
- Mounting Figure 1 or 2
- Part No. Example BFR-14S-SP-1

| Shell Size | C Max. | G Max. | H Max. | L Max. | M Max. | N Max. | #16 | T Max. Solder Pot Ext. | | | | V Max. |
|------------|---------------|---------------|---------------|---------------|---------------|---------------|-------------|------------------------|-------------|-------------|-------------|-------------|
| | | | | | | | | #12 | #8 | #4 | #0 | |
| 8S | .853 (21.67) | .895 (22.73) | 1.077 (27.36) | 1.087 (27.61) | .702 (17.83) | .820 (20.83) | .140 (3.56) | - | - | - | - | .250 (6.35) |
| 10S | .853 (21.67) | 1.015 (25.78) | 1.203 (30.56) | 1.087 (27.61) | .822 (20.88) | .960 (24.38) | .140 (3.56) | - | - | - | - | .250 (6.35) |
| 10SL | .853 (21.67) | 1.015 (25.78) | 1.203 (30.56) | 1.087 (27.61) | .822 (20.88) | .960 (24.38) | .140 (3.56) | - | - | - | - | .250 (6.35) |
| 12S | .853 (21.67) | 1.077 (27.36) | 1.327 (33.71) | 1.087 (27.61) | .955 (24.26) | 1.110 (28.19) | .140 (3.56) | - | - | - | - | .250 (6.35) |
| 14S | .853 (21.67) | 1.203 (30.56) | 1.453 (36.91) | 1.087 (27.61) | 1.072 (27.23) | 1.250 (31.75) | .140 (3.56) | - | - | - | - | .375 (9.52) |
| 16S | .853 (21.67) | 1.327 (33.71) | 1.577 (40.06) | 1.087 (27.61) | 1.265 (32.13) | 1.460 (37.08) | .140 (3.56) | - | - | - | - | .375 (9.52) |
| 12 | 1.244 (31.60) | 1.077 (27.36) | 1.327 (33.71) | 1.525 (38.74) | .955 (24.26) | 1.110 (28.19) | .062 (1.57) | .062 (1.57) | - | - | - | .375 (9.52) |
| 14 | 1.244 (31.60) | 1.203 (30.56) | 1.453 (36.91) | 1.525 (38.74) | 1.072 (27.23) | 1.250 (31.75) | .062 (1.57) | .062 (1.57) | .125 (3.18) | - | - | .375 (9.52) |
| 16 | 1.244 (31.60) | 1.327 (33.71) | 1.577 (40.06) | 1.525 (38.74) | 1.265 (32.13) | 1.460 (37.08) | .062 (1.57) | .062 (1.57) | .125 (3.18) | .125 (3.18) | - | .375 (9.52) |
| 18 | 1.244 (31.60) | 1.453 (36.91) | 1.703 (43.26) | 1.525 (38.74) | 1.395 (35.43) | 1.610 (40.89) | .062 (1.57) | .062 (1.57) | .125 (3.18) | .125 (3.18) | - | .375 (9.52) |
| 20 | 1.244 (31.60) | 1.577 (40.06) | 1.827 (46.41) | 1.525 (38.74) | 1.515 (38.48) | 1.750 (44.45) | .062 (1.57) | .062 (1.57) | .125 (3.18) | .125 (3.18) | .359 (9.12) | .375 (9.52) |
| 22 | 1.244 (31.60) | 1.577 (40.06) | 1.953 (49.61) | 1.525 (38.74) | 1.635 (41.53) | 1.900 (48.26) | .062 (1.57) | .062 (1.57) | .125 (3.18) | .125 (3.18) | .359 (9.12) | .375 (9.52) |
| 24 | 1.244 (31.60) | 1.827 (46.41) | 2.077 (52.76) | 1.525 (38.74) | 1.765 (44.83) | 2.030 (51.56) | .062 (1.57) | .062 (1.57) | .125 (3.18) | .125 (3.18) | .359 (9.12) | .375 (9.52) |
| 28 | 1.244 (31.60) | 1.953 (49.61) | 2.327 (59.11) | 1.525 (38.74) | 2.015 (51.18) | 2.330 (59.18) | .062 (1.57) | .062 (1.57) | .125 (3.18) | .125 (3.18) | .359 (9.12) | .375 (9.52) |
| 32 | 1.244 (31.60) | 2.203 (55.96) | 2.577 (65.45) | 1.525 (38.74) | 2.205 (56.01) | 2.550 (64.77) | .062 (1.57) | .062 (1.57) | .125 (3.18) | .125 (3.18) | .359 (9.12) | .375 (9.52) |
| 36 | 1.244 (31.60) | 2.577 (65.46) | 2.827 (71.81) | 1.525 (38.74) | 2.455 (62.36) | 2.840 (72.14) | .062 (1.57) | .062 (1.57) | .125 (3.18) | .125 (3.18) | .359 (9.12) | .312 (7.92) |

| Shell Size | A Thread |
|------------|---------------|
| 8S | 1/2-28UNEF-2A |
| 10S | 5/8-24UNEF-2A |
| 10SL | 5/8-24UNEF-2A |
| 12S | 3/4-20UNEF-2A |
| 14S | 7/8-20UNEF-2A |
| 16S | 1-20UNEF-2A |
| 12 | 3/4-20UNEF-2A |
| 14 | 7/8-20UNEF-2A |

| Shell Size | A Thread |
|------------|-----------------|
| 16 | 1-20UNEF-2A |
| 18 | 1-1/8-18UNEF-2A |
| 20 | 1-1/4-18UNEF-2A |
| 22 | 1-3/8-18UNEF-2A |
| 24 | 1-1/2-18UNEF-2A |
| 28 | 1-3/4-18UNS-2A |
| 32 | 2-18UNS-2A |
| 36 | 2-1/4-16UN-2A |

Performance Specifications - Page A-84

Contact, Ceiling Plugs, Assembly Tools - Page A-105

Contact Arrangements - Page A-85 - A-89

Mounting Dimensions

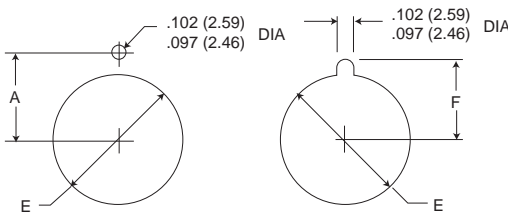


Fig. 1

Fig. 2

| Shell Size | A | E | F |
|------------|--------------|-------------------------------|--------------|
| | ±.005 (0.13) | + .015 (0.38) -.000 (0.00) | ±.005 (0.13) |
| 8S | .323 (8.20) | .500 (12.70) | .373 (9.47) |
| 10S, 10SL | .385 (9.78) | .625 (15.88) | .435 (11.05) |
| 12S, 12 | .448 (11.38) | .750 (19.05) | .498 (12.65) |
| 14S, 14 | .510 (12.95) | .875 (22.22) | .560 (14.22) |
| 16S, 16 | .573 (14.55) | 1.000 (25.40) | .623 (15.82) |
| 18 | .635 (16.13) | 1.125 (28.58) | .685 (17.40) |

| Shell Size | A | E | F |
|------------|---------------|-------------------------------|---------------|
| | ±.005 (0.13) | + .015 (0.38) -.000 (0.00) | ±.005 (0.13) |
| 20 | .698 (17.73) | 1.250 (31.75) | .748 (19.00) |
| 22 | .760 (19.30) | 1.375 (34.92) | .810 (20.57) |
| 24 | .823 (20.90) | 1.500 (38.10) | .873 (22.17) |
| 28 | .948 (24.08) | 1.750 (44.45) | .998 (25.35) |
| 32 | 1.073 (27.25) | 2.000 (50.80) | 1.123 (28.52) |
| 36 | 1.198 (30.43) | 2.250 (57.15) | 1.248 (31.70) |



Dimensions shown in inches (mm)
Specifications and dimensions subject to change

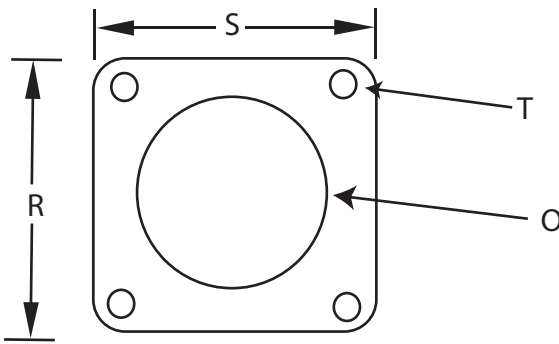
www.ittcannon.com

Panel Cutouts



A

Circular



| DIM TOL | $\pm .005$ | $\pm .031$ | 0 | $\pm .005$ |
|------------|------------|------------|-------|------------|
| Shell Size | R | S | O | T |
| 8S | .594 | .875 | .562 | .120 |
| 10S & 10SL | .719 | 1.000 | .688 | .120 |
| 12 & 12S | .812 | 1.094 | .812 | .120 |
| 14 & 14S | .906 | 1.188 | .938 | .120 |
| 16 & 16S | .969 | 1.281 | 1.062 | .120 |
| 18 | 1.062 | 1.375 | 1.188 | .120 |
| 20 | 1.156 | 1.500 | 1.312 | .120 |
| 22 | 1.250 | 1.625 | 1.438 | .120 |
| 24 | 1.375 | 1.750 | 1.562 | .147 |
| 28 | 1.562 | 2.000 | 1.812 | .147 |
| 32 | 1.750 | 2.250 | 2.062 | .173 |
| 36 | 1.938 | 2.500 | 2.312 | .173 |
| 40 | 2.188 | 2.750 | 2.562 | .173 |

Flange dimensions and mounting holes for 5015 type MS receptacles. Mounting hole diameters do not apply to MS5015 class KT & KS connectors.



Plug Metal Protective Caps

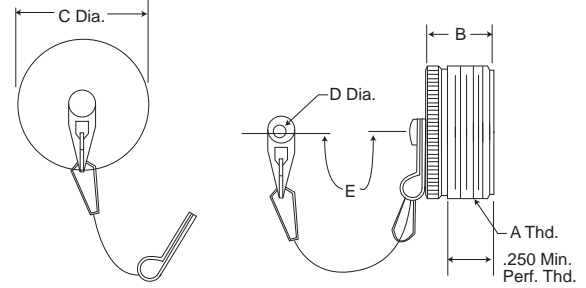
MS25042



CA17530
CA19741

For 06 and 08 Style Plugs

These externally threaded metal dust caps are used to protect the MS3106 and MS3108 plugs. Material is aluminum alloy. They are furnished with sash chain or less sash chain.



Part Number

Olive Drab Chromate Over
Cadmium Finish with Sash Chain

| Black Anodized Finish With Sash Chain | | Olive Drab Chromate Over Cadmium Finish with Sash Chain | | Olive Drab Chromate Over Cadmium Finish Without Sash Chain | | Fits Shell Size | B Max. | C Dia. Max. | E Max. | D Dia. Max. | A Thread |
|---------------------------------------|--------------|---|--|--|------------------|-----------------|---------------|----------------|-------------|-----------------|----------|
| MS | ITT Cannon | Superceded MS Number (Ref) | May Still be Purchased by ITTC Part Number | ITTC Part Number | ITTC Part Number | | | | | | |
| MS25042-8DA | CA17530-8000 | MS25042-8D | CA17530-5100 | CA19741-8 | 8S | .656 (16.66) | .562 (14.27) | 4.500 (114.30) | .166 (4.22) | 1/2-28UNEF-2A | |
| MS25042-10DA | CA17530-8001 | MS25042-10D | CA17530-5101 | CA19741-10 | 10S, 10SL | .656 (16.66) | .687 (17.45) | 4.500 (114.30) | .166 (4.22) | 5/8-24UNEF-2A | |
| MS25042-12DA | CA17530-8002 | MS25042-12D | CA17530-5102 | CA19741-12 | 12, 12S | .844 (21.44) | .812 (20.62) | 5.500 (139.70) | .166 (4.22) | 3/4-20UNEF-2A | |
| MS25042-14DA | CA17530-8003 | MS25042-14D | CA17530-5103 | CA19741-14 | 14, 14S | .844 (21.44) | .937 (23.80) | 5.500 (139.70) | .166 (4.22) | 7/8-20UNEF-2A | |
| MS25042-16DA | CA17530-8004 | MS25042-16D | CA17530-5104 | CA19741-16 | 16, 16S | .844 (21.44) | 1.062 (26.97) | 5.500 (139.70) | .166 (4.22) | 1-20UNEF-2A | |
| MS25042-18DA | CA17530-8005 | MS25042-18D | CA17530-5105 | CA19741-18 | 18 | .844 (21.44) | 1.187 (30.15) | 5.500 (139.70) | .166 (4.22) | 1-1/8-18UNEF-2A | |
| MS25042-20DA | CA17530-8006 | MS25042-20D | CA17530-5106 | CA19741-20 | 20 | .844 (21.44) | 1.312 (33.32) | 5.500 (139.70) | .197 (5.00) | 1-1/4-18UNEF-2A | |
| MS25042-22DA | CA17530-8007 | MS25042-22D | CA17530-5107 | CA19741-22 | 22 | .844 (21.44) | 1.437 (36.50) | 5.500 (139.70) | .197 (5.00) | 1-3/8-18UNEF-2A | |
| MS25042-24DA | CA17530-8008 | MS25042-24D | CA17530-5108 | CA19741-24 | 24 | .844 (21.44) | 1.562 (39.67) | 6.000 (152.40) | .197 (5.00) | 1-1/2-18UNEF-2A | |
| MS25042-28DA | CA17530-8009 | MS25042-28D | CA17530-5109 | CA19741-28 | 28 | .844 (21.44) | 1.812 (46.02) | 8.250 (209.55) | .197 (5.00) | 1-3/4-18UNEF-2A | |
| MS25042-32DA | CA17530-8010 | MS25042-32D | CA17530-5110 | CA19741-32 | 32 | .844 (21.44) | 2.062 (52.37) | 8.250 (209.55) | .228 (5.79) | 2-18UNEF-2A | |
| MS25042-36DA | CA17530-8011 | MS25042-36D | CA17530-5111 | CA19741-36 | 36 | .844 (21.44) | 2.312 (58.72) | 8.250 (209.55) | .228 (5.79) | 2-1/4-16UN-2A | |
| MS25042-40DA | CA17530-8012 | MS25042-40D | CA17530-5112 | CA19741-40 | 40 | .844 (21.44) | 2.562 (65.07) | 8.250 (209.55) | .228 (5.79) | 2-1/2-16UN-2A | |
| MS25042-44DA | CA17530-8013 | MS25042-44D | CA17530-5113 | CA19741-44 | 44 | .844 (21.44) | 2.812 (71.42) | 8.250 (209.55) | .228 (5.79) | 2-3/4-16UN-2A | |
| MS25042-48DA | CA17530-8014 | MS25042-48D | CA17530-5114 | CA19741-48 | 48 | .844 (21.44) | 3.062 (77.77) | 8.250 (209.55) | .228 (5.79) | 3-16UN-2A | |

Plug Metal Protective Caps

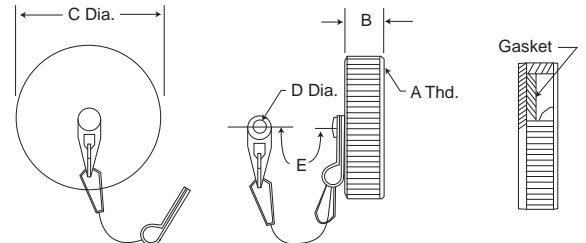
MS25043



CA2209
CA2322

For 00, 01 and 02 Style Receptacles

These internally threaded metal dust caps are used to protect the MS3100, MS3101 and MS3102 receptacles. Material is aluminum alloy. They are furnished with sash chain or less sash chain.



Part Number

Olive Drab Chromate Over
Cadmium Finish with Sash Chain

| Black Anodized Finish With Sash Chain | | Olive Drab Chromate Over Cadmium Finish with Sash Chain | | Olive Drab Chromate Over Cadmium Finish Without Sash Chain | | Fits Shell Size | B Max. | C Dia. Max. | E Max. | D Dia. Max. | A Thread |
|---------------------------------------|-------------|---|--|--|------------------|-----------------|---------------|----------------|-------------|-----------------|----------|
| MS | ITT Cannon | Superceded MS Number (Ref) | May Still be Purchased by ITTC Part Number | ITTC Part Number | ITTC Part Number | | | | | | |
| MS25043-8DA | CA2209-8000 | MS25043-8D | CA2209-5100 | CA2322-1 | 8S | .469 (11.91) | .688 (17.48) | 4.500 (114.30) | .150 (3.81) | 1/2-28UNEF-2B | |
| MS25043-10DA | CA2209-8001 | MS25043-10D | CA2209-5101 | CA2322-2 | 10S, 10SL | .469 (11.91) | .815 (20.70) | 4.500 (114.30) | .150 (3.81) | 5/8-24UNEF-2B | |
| MS25043-12DA | CA2209-8002 | MS25043-12D | CA2209-5102 | CA2322-3 | 12, 12S | .469 (11.91) | 1.000 (25.40) | 5.500 (139.70) | .150 (3.81) | 3/4-20UNEF-2B | |
| MS25043-14DA | CA2209-8003 | MS25043-14D | CA2209-5103 | CA2322-4 | 14, 14S | .469 (11.91) | 1.125 (28.58) | 5.500 (139.70) | .150 (3.81) | 7/8-20UNEF-2B | |
| MS25043-16DA | CA2209-8004 | MS25043-16D | CA2209-5104 | CA2322-5 | 16, 16S | .469 (11.91) | 1.188 (30.18) | 5.500 (139.70) | .150 (3.81) | 1-20UNEF-2B | |
| MS25043-18DA | CA2209-8005 | MS25043-18D | CA2209-5105 | CA2322-6 | 18 | .469 (11.91) | 1.344 (34.14) | 5.500 (139.70) | .150 (3.81) | 1-1/8-18UNEF-2B | |
| MS25043-20DA | CA2209-8006 | MS25043-20D | CA2209-5106 | CA2322-7 | 20 | .469 (11.91) | 1.469 (37.31) | 5.500 (139.70) | .150 (3.81) | 1-1/4-18UNEF-2B | |
| MS25043-22DA | CA2209-8007 | MS25043-22D | CA2209-5107 | CA2322-8 | 22 | .469 (11.91) | 1.594 (40.49) | 5.500 (139.70) | .150 (3.81) | 1-3/8-18UNEF-2B | |
| MS25043-24DA | CA2209-8008 | MS25043-24D | CA2209-5108 | CA2322-9 | 24 | .469 (11.91) | 1.719 (43.66) | 6.000 (152.40) | .181 (4.60) | 1-1/2-18UNEF-2B | |
| MS25043-28DA | CA2209-8009 | MS25043-28D | CA2209-5109 | CA2322-10 | 28 | .531 (13.49) | 1.969 (50.01) | 8.250 (209.55) | .181 (4.60) | 1-3/4-18UNS-2B | |
| MS25043-32DA | CA2209-8010 | MS25043-32D | CA2209-5110 | CA2322-11 | 32 | .531 (13.49) | 2.219 (56.36) | 8.250 (209.55) | .197 (5.00) | 2-18UNS-2B | |
| MS25043-36DA | CA2209-8011 | MS25043-36D | CA2209-5111 | CA2322-12 | 36 | .531 (13.49) | 2.469 (62.71) | 8.250 (209.55) | .197 (5.00) | 2-1/4-16UN-2B | |
| MS25043-40DA | CA2209-8012 | MS25043-40D | CA2209-5112 | CA2322-13 | 40 | .531 (13.49) | 2.719 (69.06) | 8.250 (209.55) | .197 (5.00) | 2-1/2-16UN-2B | |
| MS25043-44DA | CA2209-8013 | MS25043-44D | CA2209-5113 | CA2322-14 | 44 | .531 (13.49) | 2.969 (75.41) | 8.250 (209.55) | .197 (5.00) | 2-3/4-16UN-2B | |
| MS25043-48DA | CA2209-8014 | MS25043-48D | CA2209-5114 | CA2322-15 | 48 | .531 (13.49) | 3.188 (80.98) | 8.250 (209.55) | .197 (5.00) | 3-16UN-2B | |



Dimensions shown in inches (mm)
Specifications and dimensions subject to change

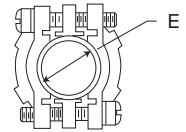
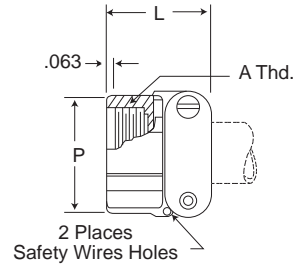
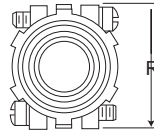


A

Circular

Cable Clamp

M85049-41
With or without bushing



M85049-41 cable clamp is made for plugs and receptacles that have an endbell with external conduit threads. The double clamping action provides a balanced, positive hold on the wires and greatly reduces moisture transmission. Provision is made for safety wiring. This clamp is supplied without bushing; to order bushing, add "with bushing" after part number.

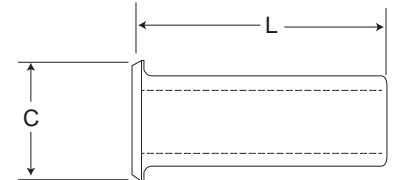
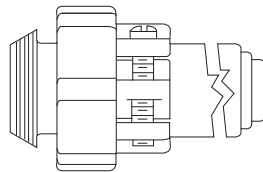
| Part Number* | Superseded Part Number | Fits Shell Size | Accommodates MS Bushings | E Min. | E Max. | L ±.031 (0.79) | P ±0.31 (0.79) | R ±0.31 (0.79) | A Thread |
|---------------|------------------------|-----------------|--------------------------|--------------|---------------|----------------|----------------|----------------|------------------|
| M85049/41-3A | MS3057-3A | 8S-10S | MS3420-3 | .102 (2.59) | .250 (6.35) | .812 (20.62) | .688 (17.48) | .812 (20.62) | 1/2-28UNEF-2B |
| M85049/41-4A | MS3057-4A | 10SL, 12S, 12 | MS3420-4 | .140 (3.56) | .312 (7.92) | .812 (20.62) | .812 (20.62) | .875 (22.22) | 5/8-24UNEF-2B |
| M85049/41-6A | MS3057-6A | 14S, 14 | MS3420-6 | .195 (4.95) | .438 (11.13) | .875 (22.22) | .969 (24.61) | 1.062 (26.97) | 3/4-20UNEF-2B |
| M85049/41-8A | MS3057-8A | 16S, 16 | MS3420-8 | .255 (6.48) | .562 (14.27) | .938 (23.83) | 1.094 (27.79) | 1.156 (29.36) | 7/8-20UNEF-2B |
| M85049/41-10A | MS3057-10A | 18 | MS3420-10 | .285 (7.24) | .625 (15.88) | .938 (23.83) | 1.188 (30.18) | 1.250 (31.75) | 1-20UNEF-2B |
| M85049/41-12A | MS3057-12A | 20, 22 | MS3420-12 | .350 (8.89) | .750 (19.05) | .938 (23.83) | 1.375 (34.92) | 1.496 (37.31) | 1-3/16-18UNEF-2B |
| M85049/41-16A | MS3057-16A | 24, 28 | MS3420-16,12 | .468 (11.89) | .938 (23.83) | 1.031 (26.19) | 1.656 (42.06) | 1.688 (42.88) | 1-7/16-18UNEF-2B |
| M85049/41-20A | MS3057-20A | 32 | MS3420-20,16 | .664 (16.87) | 1.250 (31.75) | 1.094 (27.79) | 2.031 (51.59) | 2.031 (51.59) | 1-3/4-18UNS-2B |
| M85049/41-24A | MS3057-24A | 36 | MS3420-24,20 | .694 (17.63) | 1.375 (34.92) | 1.156 (29.36) | 2.219 (56.36) | 2.281 (57.94) | 2-18UNS-2B |
| M85049/41-28A | MS3057-28A | 40 | MS3420-24,20 | .911 (23.14) | 1.625 (41.28) | 1.688 (42.88) | 2.500 (63.50) | 2.688 (68.28) | 2-1/4-16UN-2B |
| M85049/41-32A | MS3057-32A | 44 | MS3420-32,28,24 | - | 1.875 (47.62) | 1.750 (44.45) | 2.781 (70.64) | 2.938 (74.63) | 2-1/2-16UN-2B |
| M85049/41-40A | MS3057-40A | 48 | MS3420-40,32,28 | - | 2.375 (60.32) | 1.750 (44.45) | 3.281 (83.34) | 3.500 (88.90) | 3-16UN-2B |

*To order cable clamp with bushing, add "with bushing" after part number.

Telescoping Bushing

MS3420/
MS39056(REF)

CA18220



Telescoping bushing with
M85049/41 cable clamp

Telescoping gland bushing (used with M85049/41 cable clamp) keep dirt, oil and moisture out of endbell. Taping or wrapping wires is eliminated since bushing protects wires going through clamp. Combinations of bushings may be used to decrease cable entry diameter to improve sealing.

| MS Part Number | Superseded MS Part Number | ITT Cannon Part Number | Fits Shell Size | C ±0.16 (0.41) | L ±0.31 (0.79) | R ±0.16 (0.41) |
|----------------|---------------------------|------------------------|-----------------|----------------|----------------|----------------|
| MS3420-3 | MS39056-1 | CA18220-3 | 8S-10S | .379 (9.63) | 2.875 (73.02) | .130 (3.30) |
| MS3420-4 | MS39056-2 | CA18220-4 | 10SL, 12S, 12 | .505 (12.83) | 2.750 (69.85) | .200 (5.59) |
| MS3420-6 | MS39056-3 | CA18220-6 | 14S, 14 | .619 (15.72) | 2.625 (66.68) | .312 (7.92) |
| MS3420-8 | MS39056-4 | CA18220-8 | 16S, 16 | .744 (18.90) | 2.500 (63.50) | .437 (11.10) |
| MS3420-10 | MS39056-5 | CA18220-10 | 18 | .869 (22.07) | 2.375 (60.32) | .562 (14.27) |
| MS3420-12 | MS39056-6 | CA18220-12 | 20, 22 | 1.064 (27.03) | 2.250 (57.15) | .625 (15.88) |
| MS3420-16 | MS39056-7 | CA18220-16 | 24, 28 | 1.314 (33.38) | 2.125 (53.98) | .750 (19.05) |
| MS3420-20 | MS39056-8 | CA18220-20 | 32 | 1.596 (40.54) | 2.000 (50.80) | .937 (23.80) |
| MS3420-24 | MS39056-9 | CA18220-24 | 36 | 1.847 (46.91) | 1.875 (47.62) | 1.250 (31.75) |
| MS3420-28 | MS39056-10 | CA18220-28 | 40 | 2.085 (52.96) | 1.750 (44.45) | 1.375 (34.92) |
| MS3420-32 | MS39056-11 | CA18220-32 | 44 | 2.335 (59.31) | 1.625 (41.28) | 1.624 (41.25) |
| MS3420-40 | MS39056-12 | CA18220-40 | 48 | 2.835 (72.01) | 1.500 (38.10) | 1.874 (47.60) |

Dimensions shown in inches (mm)
Specifications and dimensions subject to change

www.ittcannon.com





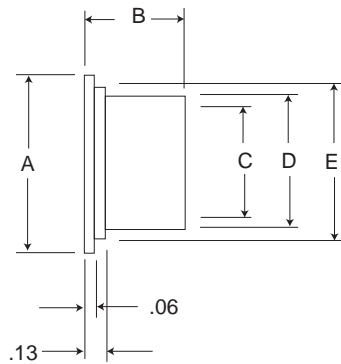
A

Circular

Plastic Protective Caps

025-XXXX-000

Protective dust caps are designed to cover the coupling and conduit ends of MS connectors where there is a possibility of foreign matter accumulating on the interior of the connector or of damage to the threaded parts. Material is red polyethylene. Plastic dust caps can be reused, but are not intended to replace the standard aluminum dust caps shown in preceding pages.



| Part Number | MS3100FR | | MS3102FR | | MS-F (only) Solder Pot End | MS3106/MS3108 FR | | Dimensions | | | | | |
|--------------|--------------|----------------|--------------|----------------|-------------------------------|---------------------|----------------|------------|--------|--------|--------|--------|---------|
| | Coupling End | Solder Pot End | Coupling End | Solder Pot End | | Coupling End | Solder Pot End | A Max. | B Max. | C Max. | D Max. | E Max. | Wt. Lb. |
| 025-0458-000 | | | | 8S | 8S | .469 (11.91) | | .673 | .440 | .430 | .486 | .583 | .0012 |
| 025-0459-000 | 8S | 8S, 10S | 8S | 8S, 10S | | | | .734 | .440 | .490 | .546 | .644 | .0014 |
| 025-0460-000 | 10S, 10SL | 10SL, 12S, 12 | 10S, 10SL | 10SL, 12S, 12 | | | | .848 | .700 | .600 | .656 | .758 | .0022 |
| 025-0462-000 | 12S, 12 | 14S, 14 | 12S, 12 | 14S, 14 | | | | .973 | .700 | .730 | .786 | .883 | .0028 |
| 025-0463-000 | 14S, 14 | 16S, 16 | 14S, 14 | 16S, 16 | | | | 1.098 | .700 | .850 | .908 | 1.008 | .0033 |
| 025-0466-000 | | | | 18 | | | | 1.209 | .700 | .950 | 1.016 | 1.119 | .0042 |
| 025-0467-000 | | | | 20 | | | | 1.396 | .700 | 1.150 | 1.216 | 1.308 | .0054 |
| 025-0468-000 | 20 | | 20 | 22 | | | | 1.500 | .700 | 1.240 | 1.306 | 1.405 | .0060 |
| 025-0469-000 | 22 | | 22 | 24 | | | | 1.625 | .700 | 1.360 | 1.426 | 1.530 | .0067 |
| 025-0470-000 | | | | 28 | | | | 1.870 | .700 | 1.610 | 1.676 | 1.775 | .0087 |
| 025-0471-000 | | | | 32 | | | | 2.120 | .700 | 1.860 | 1.926 | 2.025 | .0103 |
| 025-0472-000 | | | | 36 | | | | 2.370 | .700 | 2.110 | 2.176 | 2.275 | .0141 |
| 025-0473-000 | | | | 40 | | | | 2.501 | .700 | 2.310 | 2.380 | 2.491 | .0164 |
| 025-0474-000 | | | | 44 | | | | 2.872 | .700 | 2.590 | 2.660 | 2.772 | .0186 |
| 025-0475-000 | | | | 48 | | | | 3.122 | .700 | 2.840 | 2.910 | 30.22 | .0222 |
| 025-0477-000 | | | | | | 10S, 10SL | | .802 | .491 | .550 | .616 | .712 | .0017 |
| 025-0478-000 | | | | | | 12S, 12 | | .911 | .571 | .669 | .725 | .821 | .0022 |
| 025-0479-000 | | | | | | 14S, 14 | | 1.036 | .571 | .794 | .850 | .946 | .0027 |
| 025-0480-000 | | | | | | 16S, 16 | | 1.161 | .571 | .919 | .975 | 1.071 | .0033 |
| 025-0484-000 | | | | | | 18 | | 1.290 | .576 | 1.028 | 1.094 | 1.195 | .0044 |
| 025-0486-000 | | | | | | 22 | | 1.540 | .576 | 1.278 | 1.344 | 1.445 | .0058 |
| 025-0487-000 | | | | | | 24 | | 1.665 | .576 | 1.403 | 1.469 | 1.570 | .0066 |
| 025-0488-000 | | | | | | 28 | | 1.907 | .576 | 1.645 | 1.711 | 1.812 | .0084 |
| 025-0489-000 | | | | | | 32 | | 2.157 | .576 | 1.895 | 1.961 | 2.062 | .0102 |
| 025-0490-000 | | | | | | 36 | | 2.412 | .576 | 2.140 | 2.216 | 2.317 | .0132 |
| 025-0491-000 | | | | | | 40 | | 2.672 | .576 | 2.390 | 2.466 | 2.572 | .0163 |
| 025-0492-000 | | | | | | 44 | | 2.922 | .576 | 2.640 | 2.716 | 2.822 | .0186 |
| 025-0493-000 | | | | | | 48 | | 3.172 | .576 | 2.890 | 2.966 | 3.072 | .0213 |
| 025-0498-000 | 16S, 16 | 18 | 16S, 16 | 48 | | | 18 | 1.240 | .700 | .990 | 1.056 | 1.150 | .0044 |
| 025-0499-000 | | 20, 22 | | 36 | | | 22 | 1.427 | .700 | 1.117 | 1.183 | 1.337 | .0055 |
| 025-0500-000 | | 24, 24 | | 40 | | | | 1.677 | .700 | 1.420 | 1.486 | 1.587 | .0072 |
| 025-0501-000 | 28 | 32 | 28 | 44 | | | | 1.985 | .700 | 1.730 | 1.796 | 1.895 | .0095 |
| 025-0502-000 | 32 | 36 | 32 | 32 | | | | 2.245 | .700 | 1.980 | 2.046 | 2.155 | .0114 |
| 025-0503-000 | 36 | 40 | 36 | 24, 28 | | | | 2.495 | .700 | 2.230 | 2.296 | 2.400 | .0134 |
| 025-0504-000 | 40 | 44 | 40 | 20, 22 | | | | 2.742 | .700 | 2.480 | 2.546 | 2.652 | .0186 |
| 025-0505-000 | 48 | | 48 | 18 | | | | 3.257 | .700 | 2.980 | 3.046 | 3.157 | .0233 |
| 025-0507-000 | 18 | | 18 | | 20 | | | 1.365 | .700 | 1.110 | 1.176 | 1.275 | .0050 |
| 025-0510-000 | 24 | | 24 | | | | | 1.740 | .700 | 1.490 | 1.556 | 1.650 | .0077 |
| 025-0511-000 | 44 | 48 | 44 | | | | | 3.007 | .700 | 2.730 | 2.796 | 2.907 | .0220 |
| 025-0608-000 | | | | | 8S | | | .643 | .440 | .400 | .456 | .553 | .0011 |
| 025-0609-000 | | | | | 10SL, 12S, 12 | | | .829 | .700 | .580 | .636 | .739 | .0021 |
| 025-0610-000 | | | | | 14S, 14 | | | .954 | .700 | .710 | .766 | .864 | .0028 |
| 025-0611-000 | | | | | 16S, 16 | | | 1.079 | .700 | .830 | .886 | .989 | .0032 |
| 025-0612-000 | | | | | 28 | | | 1.839 | .700 | 1.570 | 1.626 | 1.744 | .0088 |
| 025-0613-000 | | | | | 32 | | | 2.089 | .700 | 1.820 | 1.876 | 1.994 | .0100 |
| 025-0614-000 | | | | | 36 | | | 2.376 | .700 | 2.010 | 2.066 | 2.231 | .0132 |



A

Circular

F80 Assembly Instructions

ITT Cannon provides a complete line of crimp insertion and extraction tooling to be used with CA-F80 contacts as follows.

| Contact Size | Hand Crimp Tool* | Locator | Power Crimp Tool* | Crimp Head | Locator | Gauge |
|--------------|------------------|---------|-------------------|------------|-----------|---------|
| 16 | M-2252/1-01 | TH-70-1 | CBT-530 | | | |
| 12 | M-2252/1-01 | TP567 | CBT-600/600B | CCH-12-7 | CCHP-12-2 | - |
| 8 | - | - | CBT-600/600B | CCH-8-1 | CCHP-8-1 | CCH-8-1 |
| 4 | - | - | CBT-600/600B | CCH-4-1 | CCHP-4-1 | CCH-4-1 |
| 0 | - | - | CBT-600B | CCH-0-1 | CCHP-0-9 | CCH-0 |

*The M-2252/1-01 is the MIL standard crimp tool for #12 thru #20 contacts and when used with crimp #12, 16 and 20 contacts for the CA-F80.

**The CBT-600 is recommended for crimping of #4 thru #12 contacts. The CBT-600B for #0 thru #8. The appropriate locators and crimp heads are available as shown above.



CBT-600



CBT-520/530

Crimp Tool



Crimping Contacts

1. Check the crimp tool to be sure that the proper crimp head locator is used.
2. Cycle to tool to be sure the indentors are open.
3. Place the contact, mating end first, into the tool.
4. Insert the stripped wire into the hollow end of the contact. Be sure the wire is inserted as far as it will go.
5. Close the tool completely to crimp. Unless the tool is closed completely, the tool will not release the contact.
6. Remove the crimped contact from the tool. Check the inspection hole to verify that the wire is fully inserted.

Insertion/Extraction Tools



Insertion and extraction tools used for these connectors are available for contact sizes 16 thru 0 as shown.

| Contact Size | Insertion Tools | Extraction Tools | Handle Color |
|--------------|-------------------------|---------------------------|--------------|
| 16 | CIT-16 (038895-0000) | CET-16-4 (038888-0004) | Blue |
| 12 | CIT-12 (038896-0000) | CET-12-2 (038890-0002) | Yellow |
| 8 | CIT-8 | CET-8 | Red |
| 4 | CIT-4 | CET-4 | Blue |
| 0 | CIT-0 | CET-0 | Yellow |

Insertion of Contacts

1. Before inserting the contacts, remove the endbell, grommets, and ferrule from the receptacle. Remove the endbell, grommet, ferrule, and coupling nut from the plug. Slide the hardware over the wire bundle in the proper order for reassembly after all the contacts are inserted.
2. To assist insertion of contacts, lubricate insert cavities with isopropyl alcohol. Alcohol will evaporate and will not leave a conductive film. Caution: Never use any lubricant other than isopropyl alcohol. Hold the plug or receptacle body firmly and insert the wired contacts as far as possible by hand. Starting at one side of the insulator, work progressively from contact to contact across the layout. When inserting socket contacts, be sure to provide fixture space below the front face to permit length of guide pins for #16 and #12 contacts to clear insulator face.
3. Place the correct insertion tool on the contact so that the wire runs along the groove in the tool. (Tool tip will butt against the shoulder.)
4. Beginning with a cavity on the outer edge of the plug, apply a slow, even pressure perpendicular to the insulator face until the contact snaps into position. If contacts are not inserted all the way prior to removing insertion tool, do not try to reinsert the insertion tool. Instead, using the extraction tool, push the contact back to the position it was in when the insertion tool was originally placed over the contact for push-in; otherwise the inside of contact cavity may be damaged by reinserting the insertion tool.
5. Inspect the front end of the insulator to assure that the contacts are inserted to the proper depth.

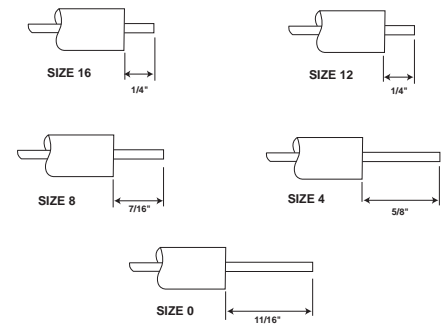
Completion

After all the cavities have been filled, slide the hardware back into position on the barrel. Tighten the endbell until the ferrule and endbell are flush. Compression of the grommet in this manner results in maximum sealing characteristics of the plug.

Extraction of Contacts

1. Select the appropriate tool. (Tool tips are reversible for either pin or socket.) Place the extraction tool over the pin or into the socket.
2. Apply a slow, even pressure to push the contact out of the rear of the insulator.

Recommended Wire Stripping



Contacts

| Contact Size | Contact Part Numbers | |
|--------------|----------------------|--------------|
| | Pin | Socket |
| 16S | 330-0345-016 | 031-0554-161 |
| 16 | 330-0351-016 | 031-0560-161 |
| 12 | 330-0351-012 | 031-0560-121 |
| 8 | 330-0351-008 | 031-0560-081 |
| 4 | 330-0351-004 | 031-0560-041 |
| 0 | 330-0351-000 | 031-0560-001 |

Guide Pins

Guide pins are used to assist insertion of socket contact Sizes #16 and #12. Larger sizes do not require guide pins.

| Contact | Guide Pin |
|---------|--------------|
| #16 | 226-1017-000 |
| #12 | 226-1018-000 |

Wire Hole Fillers

| Wire Size AWG | ITT Cannon Part Number | Color |
|---------------|------------------------|--------|
| 20 | 225-1000-000 | Red |
| 16/16S | 225-0017-000 | Blue |
| 12 | 225-0018-000 | Yellow |
| 8 | 225-0019-000 | White |
| 4 | 225-8502-000 | Green |
| 0 | 225-8503-000 | Black |