

阅读申明

- 1.本站收集的数据手册和产品资料都来自互联网，版权归原作者所有。如读者和版权方有任何异议请及时告之，我们将妥善解决。
- 2.本站提供的中文数据手册是英文数据手册的中文翻译，其目的是协助用户阅读，该译文无法自动跟随原稿更新，同时也可能存在翻译上的不当。建议读者以英文原稿为参考以便获得更精准的信息。
- 3.本站提供的产品资料，来自厂商的技术支持或者使用者的心得体会等，其内容可能存在描述上的差异，建议读者做出适当判断。
- 4.如需与我们联系，请发邮件到marketing@iczoom.com，主题请标有“数据手册”字样。

Read Statement

1. The datasheets and other product information on the site are all from network reference or other public materials, and the copyright belongs to the original author and original published source. If readers and copyright owners have any objections, please contact us and we will deal with it in a timely manner.
2. The Chinese datasheets provided on the website is a Chinese translation of the English datasheets. Its purpose is for reader's learning exchange only and do not involve commercial purposes. The translation cannot be automatically updated with the original manuscript, and there may also be improper translations. Readers are advised to use the English manuscript as a reference for more accurate information.
3. All product information provided on the website refer to solutions from manufacturers' technical support or users the contents may have differences in description, and readers are advised to take the original article as the standard.
4. If you have any questions, please contact us at marketing@iczoom.com and mark the subject with "Datasheets" .

Metal Shell Circular Connectors

HS Series



Introduction

- The HS series is generally called “metal connector”, and is the most widely used standard multi-pin circular connector.
- Being sturdy and simple in construction, the HS connectors are stable mechanically and electrically and are employed by NTT and set manufacturers as standard parts.

Material

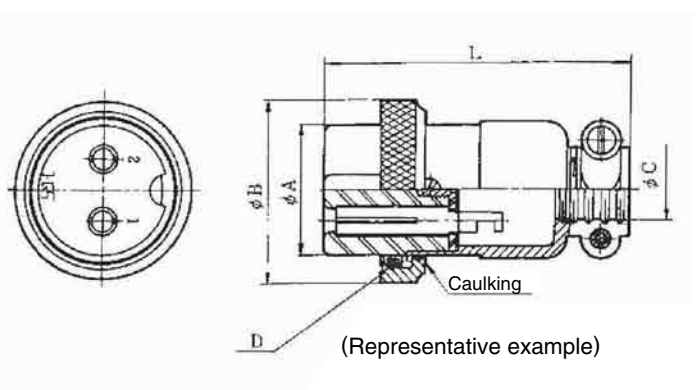
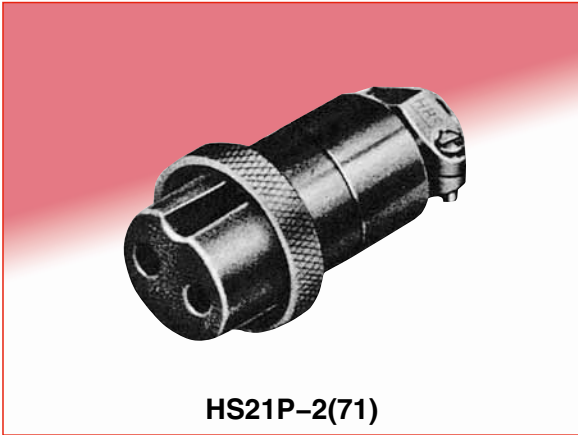
| Part | Material | Finish |
|-----------------|--------------------------|---------------|
| Shell | Copper compound metal | Nickel plated |
| Insulator | Synthetic resin | ————— |
| Male contacts | Brass | Nickel plated |
| Female contacts | Brass or phosphor bronze | |

Ordering information

HS 21 P A - 2 A
① ② ③ ④ ⑤ ⑥

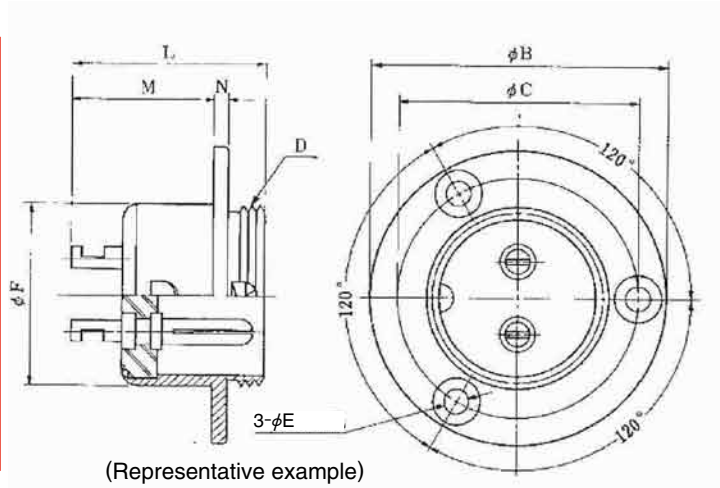
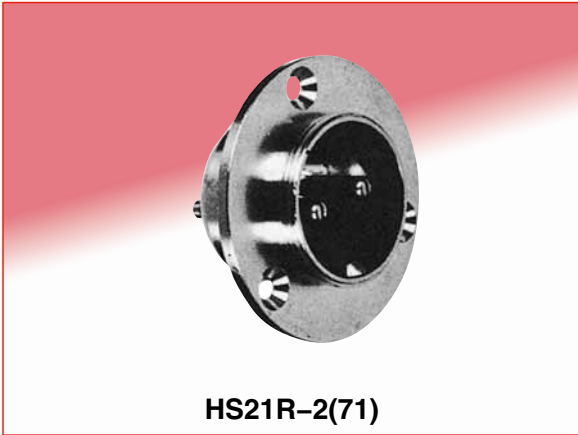
| |
|---|
| ① Model name: HS stands for HIROSE STANDARD. |
| ② Shell size: The shell size is expressed as the outside diameter of the plug fitting section (insulator) with seven types: 12, 14, 16, 21, 25, 28 and 35. |
| ③ Shell type: The shell is classified into the following types. P : Plug R : Receptacle J : Jack RC : Receptacle cap |
| ④ Shell model change mark: Each time the shell undergoes a model change, it is marked as A, B or C. |
| ⑤ Number of contacts |
| ⑥ Contact arrangement change mark: When the contact fitting section or contact arrangement undergoes a change, it is marked as A, B, C....after the number of contacts. |

■ Plug



| HRS No. | Part No. | φA | φB | φC | D | L |
|---------------|---------------|------|------|-----|---------|------|
| 101-0002-0 71 | HS12P-2(71) | 12 | 18 | 7 | M15.5×1 | 38 |
| 101-0013-7 71 | HS14P-2(71) | 13.5 | 21.5 | 8.5 | M19×1 | 43 |
| 101-0030-6 71 | HS16P-2(71) | 15.5 | | | | |
| 101-0031-9 71 | HS16P-3(71) | | | | | |
| 101-0034-7 71 | HS16P-4(71) | | | | | |
| 101-0275-3 71 | HS16P-5(71) | 21 | 28 | 10 | M25×1 | 50 |
| 101-0053-1 71 | HS21P-2(71) | | | | | |
| 101-0060-7 71 | HS21P-3(71) | | | | | |
| 101-0066-3 71 | HS21P-4(71) | | | | | |
| 101-0669-1 71 | HS21P-5(71) | | | | | |
| 101-0074-1 71 | HS21P-6(71) | | | | | |
| 101-0075-4 71 | HS21P-7(71) | | | | | |
| 101-0076-7 71 | HS21P-8(71) | | | | | |
| 101-0369-5 71 | HS21P-10(71) | 25 | 32 | 16 | M29×1 | 49 |
| 101-0115-7 71 | HS25P-2(71) | | | | | |
| 101-0117-2 71 | HS25P-3(71) | | | | | |
| 101-0122-2 71 | HS25P-6(71) | | | | | |
| 101-0128-9 71 | HS25P-8(71) | | | | | |
| 101-0129-1 71 | HS25P-10(71) | 28 | 38 | 16 | M34×1 | 64.5 |
| 101-0154-9 71 | HS28P-4(71) | | | | | |
| 101-0158-0 71 | HS28P-8(71) | | | | | |
| 101-0187-8 71 | HS35PB-16(71) | 35 | 46 | 19 | M41×1 | 71.5 |
| 101-0189-3 71 | HS35PB-20(71) | | | | | |

■ Receptacle



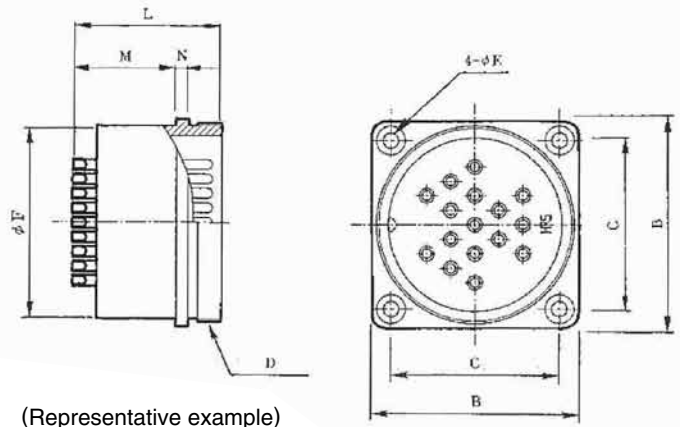
| HRS No. | Part No. | ϕB | ϕC | D | ϕE | ϕF | L | M | N |
|---------------|--------------|----------|----------|---------|----------|----------|------|------|-----|
| 101-0007-4 71 | HS12R-2(71) | 23 | 19 | M15.5x1 | 2.1* | 14 | 22.5 | 16 | 1.5 |
| 101-0016-5 71 | HS14R-2(71) | | | | | 16.5 | | | |
| 101-0040-0 71 | HS16R-2(71) | | | | | 19 | | | |
| 101-0041-2 71 | HS16R-3(71) | 32 | 25.5 | M19x1 | 3.2 | 19 | 23 | 19.5 | 2 |
| 101-0042-5 71 | HS16R-4(71) | | | | | | | | |
| 101-0448-0 71 | HS16R-5(71) | | | | | | | | |
| 101-0084-5 71 | HS21R-2(71) | | | | | | | | |
| 101-0089-9 71 | HS21R-3(71) | | | | | | | | |
| 101-0091-0 71 | HS21R-4(71) | | | | | | | | |
| 101-0093-6 71 | HS21R-5(71) | 41 | 33 | M25x1 | 25 | 26.5 | 17.5 | 19.5 | 2 |
| 101-0095-1 71 | HS21R-6(71) | | | | | | | | |
| 101-0096-4 71 | HS21R-7(71) | | | | | | | | |
| 101-0097-7 71 | HS21R-8(71) | | | | | | | | |
| 101-0370-4 71 | HS21R-10(71) | | | | | | | | |
| 101-0130-0 71 | HS25R-2(71) | 46 | 37 | M29x1 | 29 | 26.5 | 19.5 | 19.5 | 2 |
| 101-0131-3 71 | HS25R-3(71) | | | | | | | | |
| 101-0135-4 71 | HS25R-6(71) | | | | | | | | |
| 101-0137-0 71 | HS25R-8(71) | | | | | | | | |
| 101-0138-2 71 | HS25R-10(71) | | | | | | | | |
| 101-0163-0 71 | HS28R-4(71) | 51 | 43 | M34x1 | 32 | 19 | 19 | 19 | 2 |
| 101-0166-8 71 | HS28R-8(71) | | | | | | | | |

Note: 1.6φ flat head screw is recommended for mounting.

■ Receptacle



HS35RA-16(71)



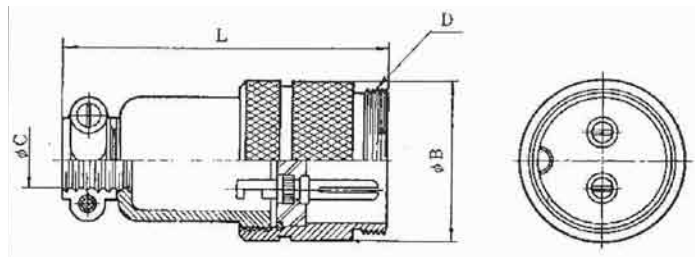
(Representative example)

| HRS No. | Part No. | B | C | D | φE | φF | L | M | N |
|---------------|---------------|----|----|-------|-----|----|----|------|-----|
| 101-0200-4 71 | HS35RA-16(71) | 43 | 35 | M41×1 | 3.2 | 40 | 31 | 21.5 | 2.5 |
| 101-0201-7 71 | HS35RA-20(71) | | | | | | | | |

■ Jack



HS21J-2(71)



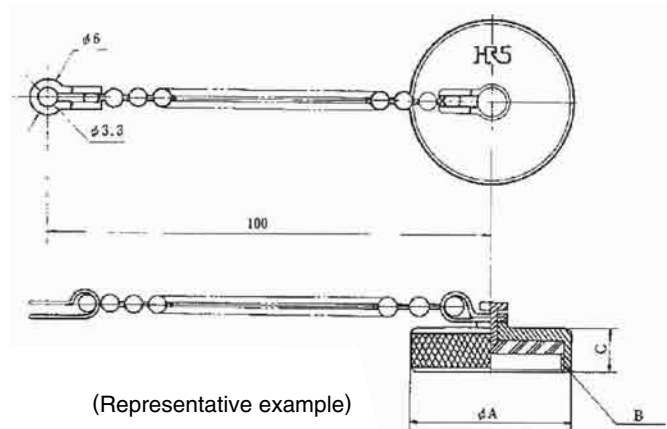
(Representative example)

| HRS No. | Part No. | φB | φC | D | L |
|---------------|-------------|------|-----|---------|------|
| 101-0010-9 71 | HS12J-2(71) | 18 | 7 | M15.5×1 | 44.5 |
| 101-0047-9 71 | HS16J-2(71) | 21.5 | 8.5 | M19×1 | 50 |
| 101-0048-1 71 | HS16J-3(71) | | | | |
| 101-0049-4 71 | HS16J-4(71) | | | | |
| 101-0416-3 71 | HS16J-5(71) | 28 | 10 | M25×1 | 57 |
| 101-0104-0 71 | HS21J-2(71) | | | | |
| 101-0107-9 71 | HS21J-5(71) | | | | |

■ Cap for Receptacle



HS21RC(72)




(Representative example)


| HRS No. | Part No. | φA | B | C |
|---------------|------------|------|---------|---|
| 101-0011-1 72 | HS12RC(72) | 18 | M15.5×1 | 7 |
| 101-0027-1 72 | HS14RC(72) | 21.5 | M19×1 | |
| 101-0109-4 72 | HS21RC(72) | 28 | M25×1 | |



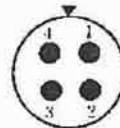

| HRS No. | Part No. | φA | B | C |
|---------------|------------|----|-------|---|
| 101-0148-6 72 | HS25RC(72) | 32 | M29×1 | 7 |
| 101-0174-6 72 | HS28RC(72) | 38 | M34×1 | |
| 101-0207-3 72 | HS35RC(72) | 46 | M41×1 | |

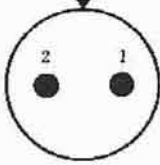
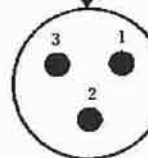
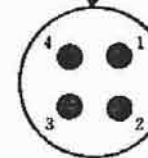
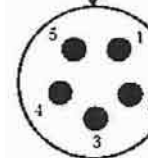
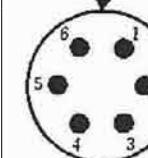
Note: Part No. HS14RC is possible to use as cap of size 16.

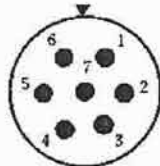
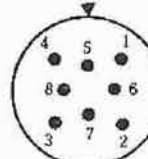
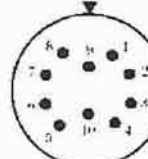
◆ Terminal Arrangement

| | |
|-----------------------|---|
| Shell size |  |
| 12 | |
| No. of contacts | 2 |
| Withstanding voltage | AC 1000V a minute |
| Current rating | 7A |
| Insulation resistance | 1000 MΩ MIN. |
| Contact resistance | 5 mΩ MAX. |
| Solder cup dia. | φ1.5 |

| | |
|-----------------------|--|
| Shell size |  |
| 14 | |
| No. of contacts | 2 |
| Withstanding voltage | AC 1000V a minute |
| Current rating | 7A |
| Insulation resistance | 1000 MΩ MIN. |
| Contact resistance | 5 mΩ MAX. |
| Solder cup dia. | φ1.5 |

| | | | | |
|-----------------------|---|---|---|--|
| Shell size |  |  |  |  |
| 16 | | | | |
| No. of contacts | 2 | 3 | 4 | 5 |
| Withstanding voltage | AC 1000V a minute | | | |
| Current rating | 7A | | | |
| Insulation resistance | 1000 MΩ MIN. | | | |
| Contact resistance | 5 mΩ MAX. | | | |
| Solder cup dia. | φ1.8 | | | φ1.5 |

| | | | | | |
|-----------------------|---|---|---|--|---|
| Shell size |  |  |  |  |  |
| 21 | | | | | |
| No. of contacts | 2 | 3 | 4 | 5 | 6 |
| Withstanding voltage | AC 1000V a minute | | | AC 500V a minute | AC 1000V a minute |
| Current rating | 10A | | | | 7A |
| Insulation resistance | 1000 MΩ MIN. | | | | |
| Contact resistance | 5 mΩ MAX. | | | | |
| Solder cup dia. | φ2.0 | | | | φ1.5 |

| | | | |
|-----------------------|---|---|---|
| Shell size |  |  |  |
| 21 | | | |
| No. of contacts | 7 | 8 | 10 |
| Withstanding voltage | AC 1000V a minute | | |
| Current rating | 7A | 4A | 3A |
| Insulation resistance | 1000 MΩ MIN. | | |
| Contact resistance | 5 mΩ MAX. | | |
| Solder cup dia. | φ1.5 | φ1.2 | φ1.5 |

| | | | | |
|-----------------------|-------------------|---|---|---|
| Shell size | | | | |
| No. of contacts | 2 | 3 | 6 | 8 |
| Withstanding voltage | AC 1000V a minute | | | |
| Current rating | 10A | | | |
| Insulation resistance | 1000 MΩ MIN. | | | |
| Contact resistance | 5 mΩ MAX. | | | |
| Solder cup dia. | φ2.0 | | | |

| | | | | |
|-----------------------|-------------------|-----------------------|------------------------|------|
| Shell size | | Shell size | | |
| No. of contacts | 10 | No. of contacts | 4 | 8 |
| Withstanding voltage | AC 1000V a minute | Withstanding voltage | AC 1000V a minute | |
| Current rating | 4A | Current rating | 7A | 10A |
| Insulation resistance | 1000 MΩ MIN. | Insulation resistance | 1000 MΩ MIN. | |
| Contact resistance | 5 mΩ MAX. | Contact resistance | 5 mΩ MAX. | |
| Solder cup dia. | φ1.2 | Solder cup dia. | φ1.8(Receptacle: φ1.5) | φ2.0 |

| | | |
|-----------------------|-------------------|----|
| Shell size | | |
| No. of contacts | 16 | 20 |
| Withstanding voltage | AC 1000V a minute | |
| Current rating | 4A | |
| Insulation resistance | 1000 MΩ MIN. | |
| Contact resistance | 5 mΩ MAX. | |
| Solder cup dia. | φ1.2 | |

Note:

1. Contact arrangements are shown at the fitting section of Plug.
2. Insulation resistance is measured at DC 500V.
3. Contact resistance is measured at DC 1A.
4. Withstanding voltage is shown as test voltage, so that the preferable value for daily operation is about one-third of each figure.



HIROSE ELECTRIC CO.,LTD.

2-6-3,Nakagawa Chuoh,Tsuzuki-Ku,Yokohama-Shi 224-8540,JAPAN
 TEL: +81-45-620-3526 Fax: +81-45-591-3726
<http://www.hirose.com>
<http://www.hirose-connectors.com>