

阅读申明

- 1.本站收集的数据手册和产品资料都来自互联网，版权归原作者所有。如读者和版权方有任何异议请及时告之，我们将妥善解决。
- 2.本站提供的中文数据手册是英文数据手册的中文翻译，其目的是协助用户阅读，该译文无法自动跟随原稿更新，同时也可能存在翻译上的不当。建议读者以英文原稿为参考以便获得更精准的信息。
- 3.本站提供的产品资料，来自厂商的技术支持或者使用者的心得体会等，其内容可能存在描述上的差异，建议读者做出适当判断。
- 4.如需与我们联系，请发邮件到marketing@iczoom.com，主题请标有“数据手册”字样。

Read Statement

1. The datasheets and other product information on the site are all from network reference or other public materials, and the copyright belongs to the original author and original published source. If readers and copyright owners have any objections, please contact us and we will deal with it in a timely manner.
2. The Chinese datasheets provided on the website is a Chinese translation of the English datasheets. Its purpose is for reader's learning exchange only and do not involve commercial purposes. The translation cannot be automatically updated with the original manuscript, and there may also be improper translations. Readers are advised to use the English manuscript as a reference for more accurate information.
3. All product information provided on the website refer to solutions from manufacturers' technical support or users the contents may have differences in description, and readers are advised to take the original article as the standard.
4. If you have any questions, please contact us at marketing@iczoom.com and mark the subject with "Datasheets" .

EM Series

Waterproof Bayonet Lock Connector for Power Supply

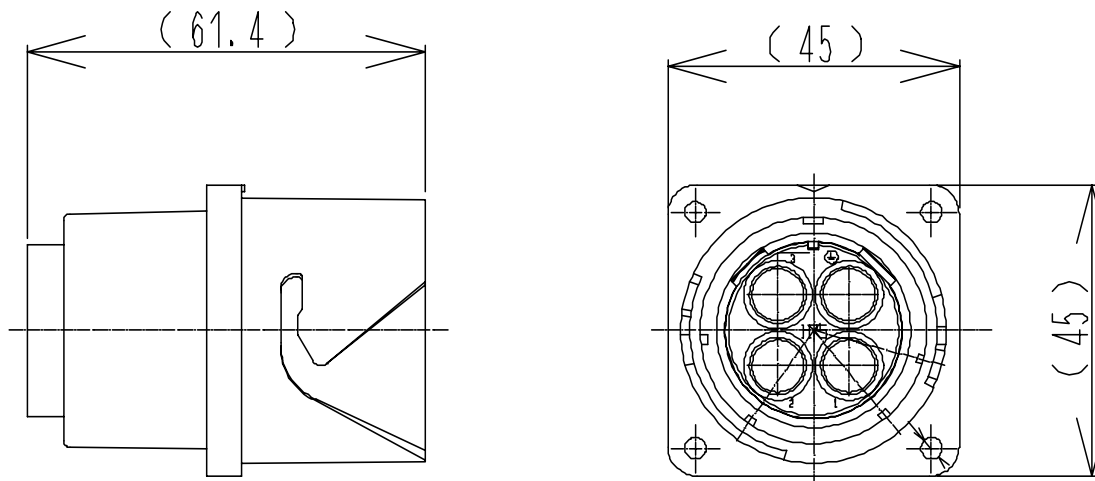


◆ Features

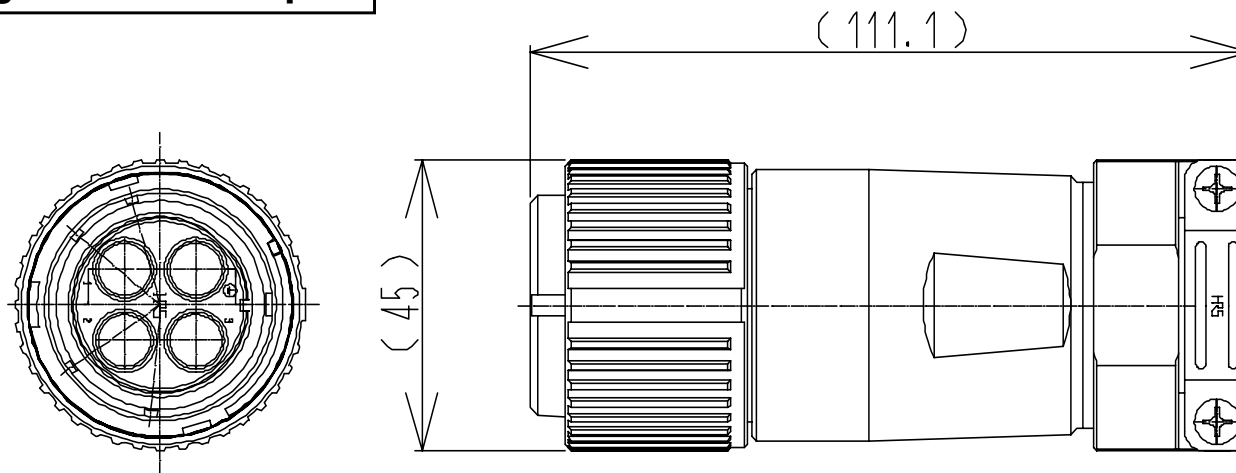
1. High current 4 pos. connector (Three-phase power source + ground)
2. Rated current: 50 A per contact (Refer to the derating curve on page 3)
3. Applicable cable conductor size: 8 mm²
4. Easy crimp termination with standard tool
5. Quick and secure bayonet lock
6. Waterproof structure in mated condition [IP67]
7. Sequential ground contact
8. RoHS compliant

Dimensions (EM35)

Receptacle



Plug + Cable Clamp



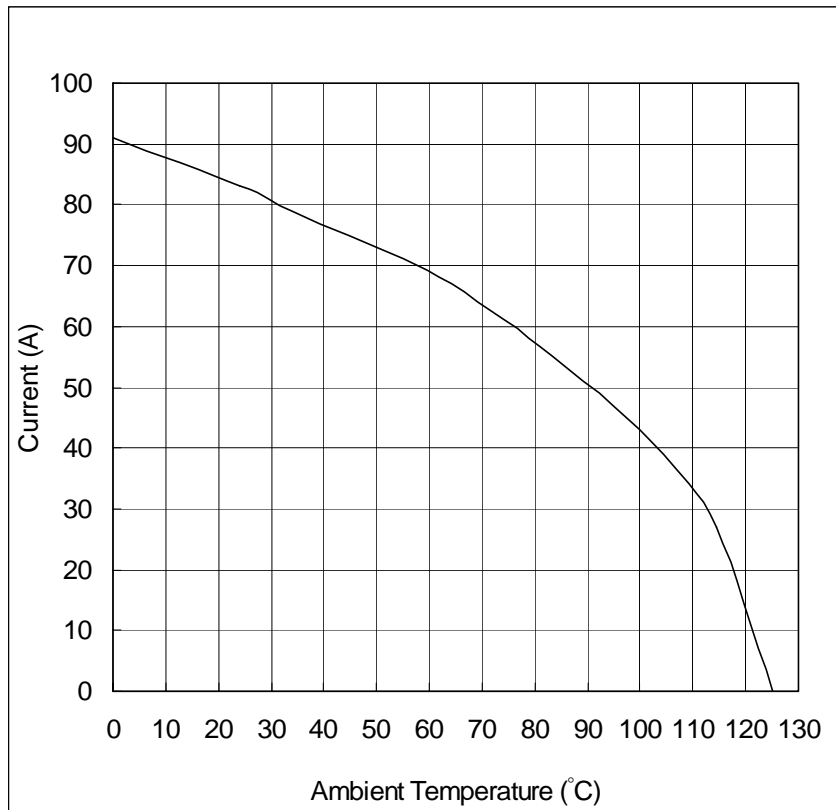
NOTE: All the dimensions in millimeters

Specifications herein are subject to change without notice.
Contact Hirose for latest specifications, drawings, or availabilities.

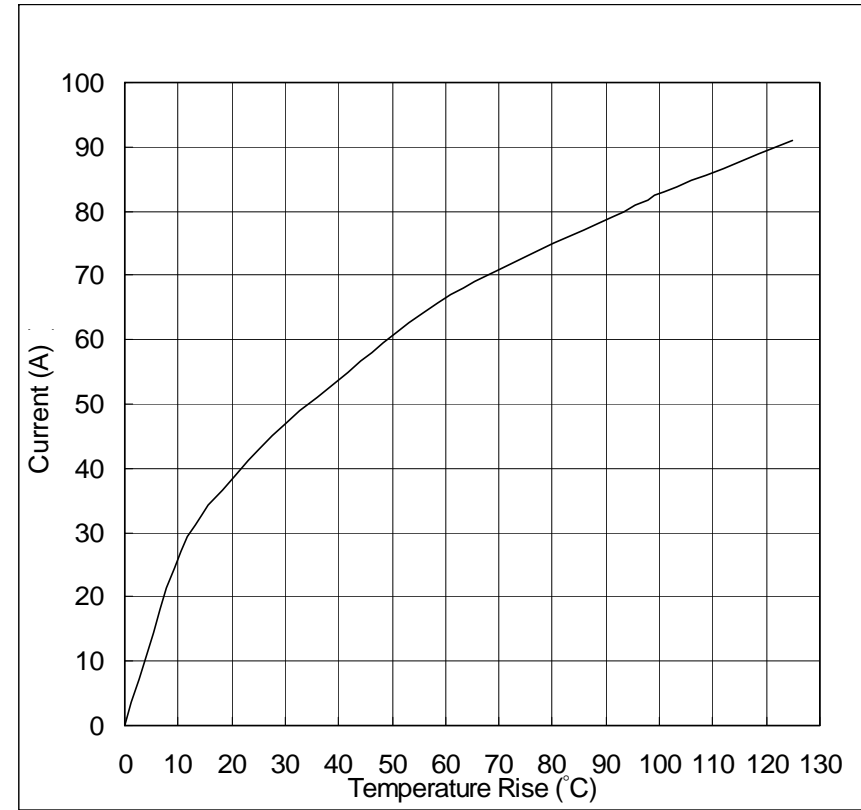
Issued: Jan. 16, 2010

High Current Capability

[Derating Curve (Basic Curve)]



[Temperature Rise Curve]



Measuring Method: Serially connect 3 contacts except for the grounding contact with 8 mm² wire. Plug is sealed to provide water tightness.

Easy Crimp Termination

◆ Crimp termination

Saves time comparing to solder termination, taking long to carry soldering heat to thick wire.

◆ Standard crimp tool is applicable.

JIS C 9711: Wire termination tool for interior wiring

Recommended Part No.: P-75 manufactured by Hozan Tool Industrial Co., Ltd.

AK15A manufactured by Lobtex Co., Ltd.

NH1 manufactured by Nichifu Co., Ltd.

◆ Easy termination procedure

1. Strip the wire jacket



2. Insert the wire to the contact



3. Crimp them by the tool

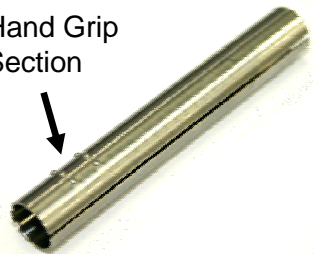


No special tool is required.



◆ Contact removal tool

Hand Grip Section



1. Insert the tool into contact cavity



2. Pull the cable from the mating face



3. Removed

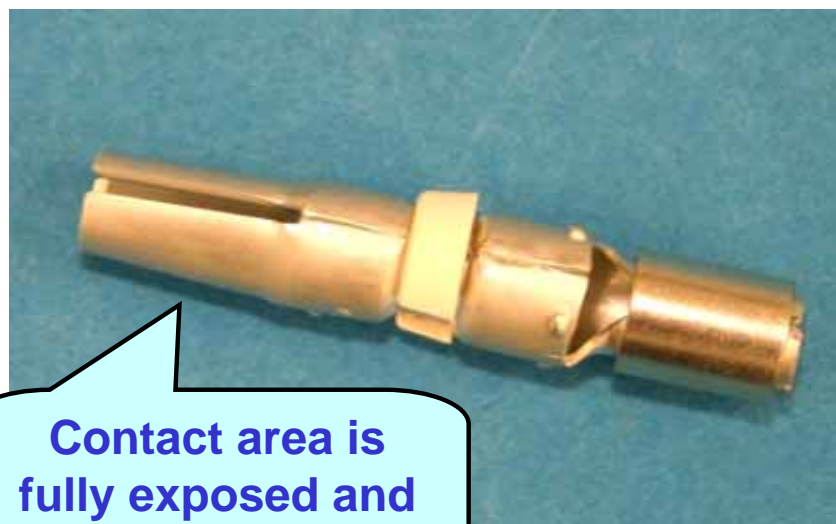


Simple and quick crimp termination by standard JIS tool

Protected Female Contact

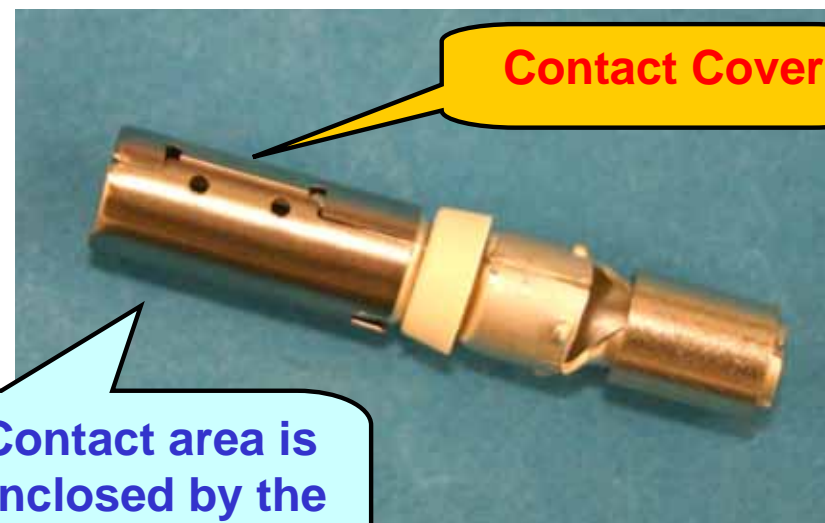
- ◆ Female contact is protected by the cover.

Without Contact Cover



Contact area is fully exposed and could be damaged.

With Contact Cover

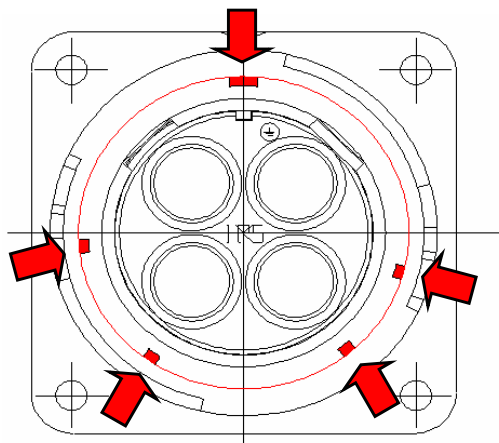


Contact area is enclosed by the cover.

Decreased damage of female contact during cable assembly and delivery, improving workability.

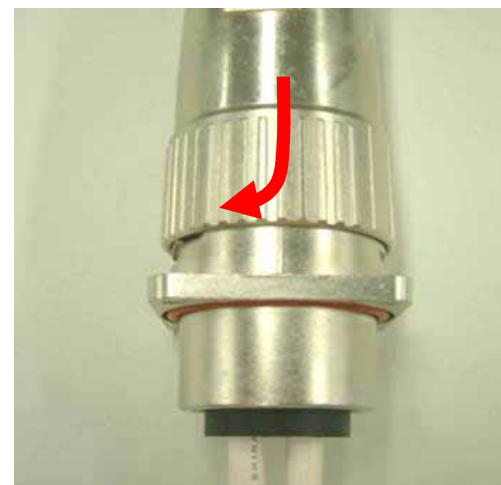
User-Friendly & Reliable Mating Operation

5-Keing Interface



- Reliable mating positioning
- Stable mating against vibration

Bayonet Lock



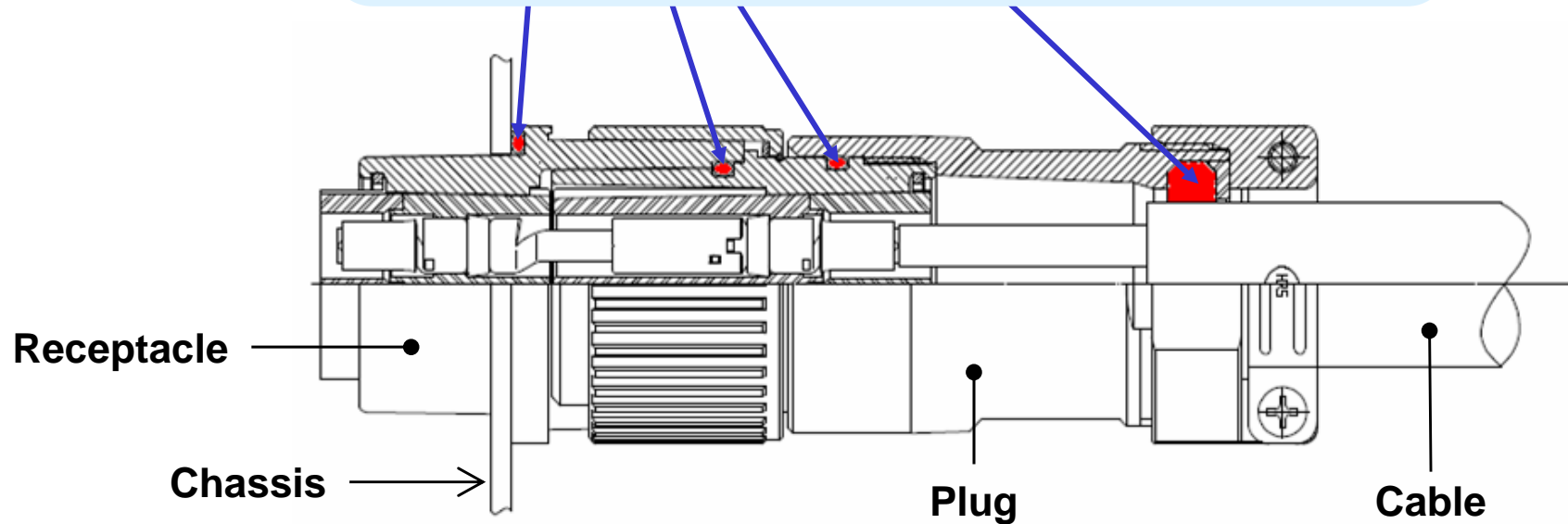
- Quick lock (One-touch lock)
- Clear tactile click
- No screw loosening as often occurred to terminal block.

Smooth and reliable connector mating.

Waterproof Structure in Mated Condition [IP67]

Gasket

Gasket is provided at each connected point, preventing water intrusion to inside the connector.



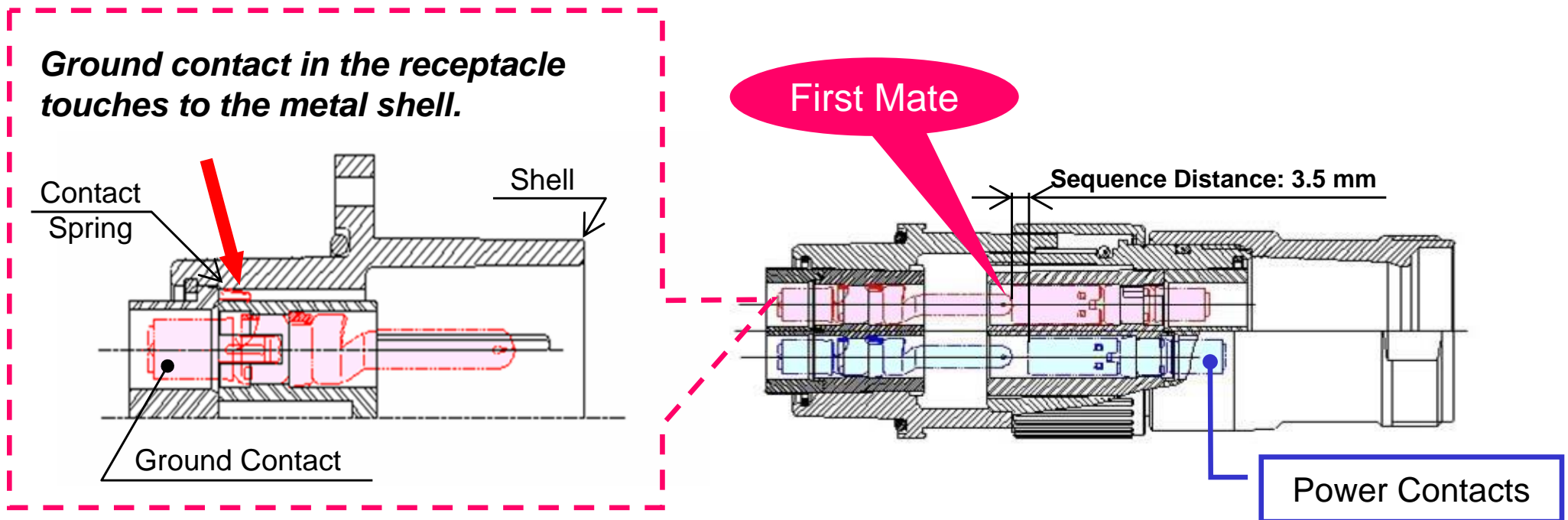
■ IP67 Water Resistance

No water intrusion, while submerged in 1.8 m water for 48 hours in mated condition.

Hirose's considerable experience in waterproof circular connector delivered high water-resistant performance.

First Mate Ground Contact

- ◆ Contact spring installed in the receptacle connects the ground contact and the metal shell for panel grounding. At mating, the ground contact is connected prior to the 3 power contacts (Sequence structure).



Grounding to panel chassis is available
→ User-friendly structure!!

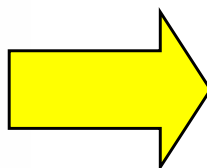
Varieties

Type	Part No.	No. of Pos.	Male / Female	Remarks
Plug	EM35WBP-4SC	4	Female	-
	EM35WBP-4PC	4	Male	-
Receptacle	EM35WBR-4PC	4	Male	-
	EM35WBR-4SC	4	Female	-
Code Clamp	EM35WCC-23	-	-	Applicable Cable Dia.: $\phi 23 \pm 0.5$
Crimp Contact	EM-SC-133	-	Female	Applicable Wire Conductor Size: 8 mm ²
	EM-PC-133	-	Male	
Tool for Contact Removal	EM-8-TP	-	-	Unisex

Application Examples

Power Supply Equipment for Semiconductor Manufacturing Machine, Generator and Fuel Battery.

Terminal Block



Connector



Switching terminal block to the connector reduces wiring procedure and maintenance time, and also contributes to stable quality, eliminating screw loosening problem.

→ Increases customer satisfaction!

Specifications

■ Material and Finish

Components	Material	Remarks
Outer Shell	Aluminum Alloy	Nickel Plated
Insulator	PBT Resin	UL94V-0
Contact	Copper Alloy	Tin Plated Over Nickel Under Plating
Gasket	Silicon Rubber	-

■ Performance Characteristics

Rated Current	50 Amps (Refer to derating curve to see the relationship with operation temperature.)
Rated Voltage	AC 250 V, DC 250 V
Operation Temperature	- 40 °C to + 125 °C
Contact Resistance	1 mΩ max. at DC 1 Amp
Insulation Resistance	5000 MΩ min. at DC 500 V
Withstanding Voltage	AC 2210 V for 1 minute
Mechanical Operation	500 cycles
Water Resistance	IP67 compliant (in mated condition)