

阅读申明

- 1.本站收集的数据手册和产品资料都来自互联网，版权归原作者所有。如读者和版权方有任何异议请及时告之，我们将妥善解决。
- 2.本站提供的中文数据手册是英文数据手册的中文翻译，其目的是协助用户阅读，该译文无法自动跟随原稿更新，同时也可能存在翻译上的不当。建议读者以英文原稿为参考以便获得更精准的信息。
- 3.本站提供的产品资料，来自厂商的技术支持或者使用者的心得体会等，其内容可能存在描述上的差异，建议读者做出适当判断。
- 4.如需与我们联系，请发邮件到marketing@iczoom.com，主题请标有“数据手册”字样。

Read Statement

1. The datasheets and other product information on the site are all from network reference or other public materials, and the copyright belongs to the original author and original published source. If readers and copyright owners have any objections, please contact us and we will deal with it in a timely manner.
2. The Chinese datasheets provided on the website is a Chinese translation of the English datasheets. Its purpose is for reader's learning exchange only and do not involve commercial purposes. The translation cannot be automatically updated with the original manuscript, and there may also be improper translations. Readers are advised to use the English manuscript as a reference for more accurate information.
3. All product information provided on the website refer to solutions from manufacturers' technical support or users the contents may have differences in description, and readers are advised to take the original article as the standard.
4. If you have any questions, please contact us at marketing@iczoom.com and mark the subject with "Datasheets" .

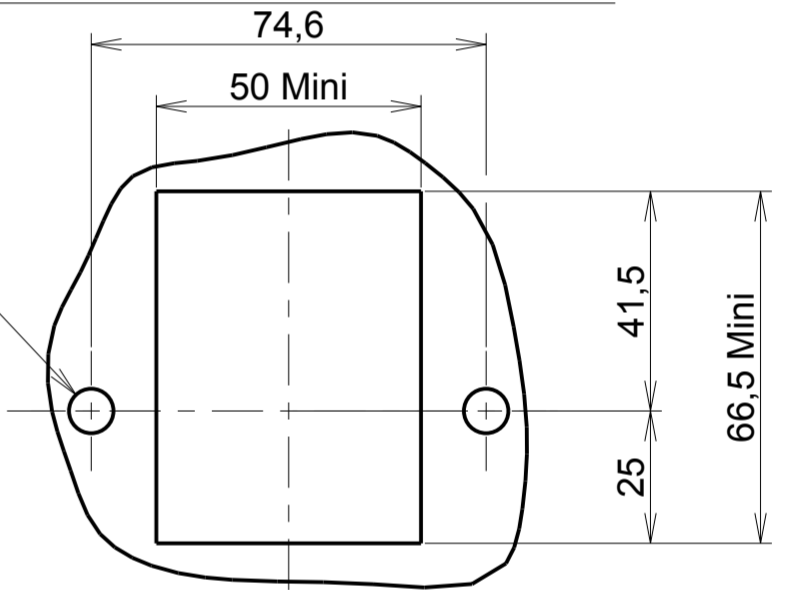
9:0:RL

MATERIAL :
 -Body :Thermoplastic black PA GF + PBT GF30
 -Mating seal (cap) : Silicone
 -Mating seal (connector): fluorocarbon
 -O'ring : NBR
 -Shaft and spring : stainless steel

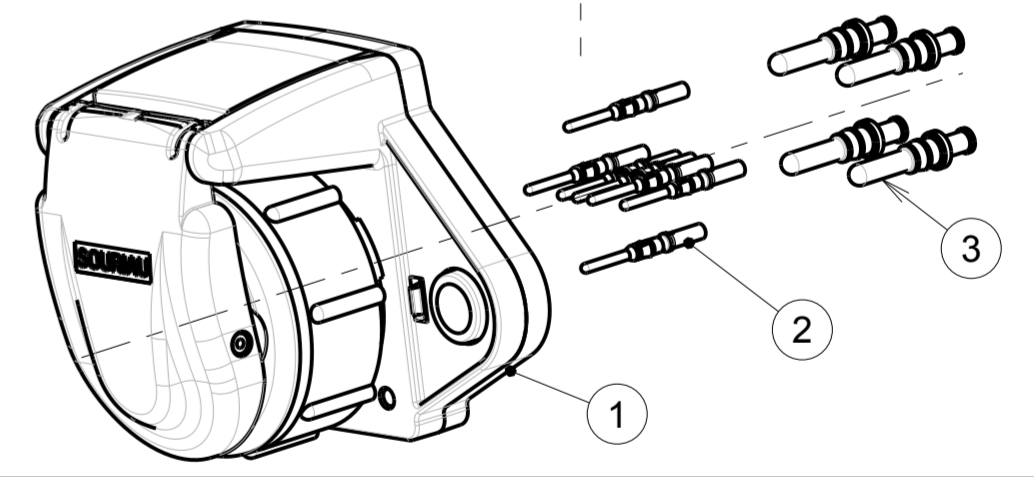
PERFORMANCE CHARACTERISTICS:
 -Operating temperature : -30° up to +85°
 -Test potential: 800 V
 -Insulation resistance : 5 Gohms under 500V
 -Operating voltage : 28V (for #8) and 24V (for #16)
 -Rated current : 26A (for #8) et 13A (for #16)
 -Contact resistance : <5 mohms by contact (for #8) and <6 mohms (for #16)
 -Durability:100 matings and unmatings
 -This cap is a water and dust protected version.
 -Level sealing : IP69K (cap locked or mated connector only)
 -Salt spray : 500H

NOTES :
 -Contact are delivered separately
 -The cap is defined according to EN 16330 and Compliance Matrix N°13113
 -The cap can be assembled with the backshell : WME10010A

PANEL CUT OUT FOR INFORMATION (FOR REAR MOUNTING)
 Panel thickness Maxi :3 mm

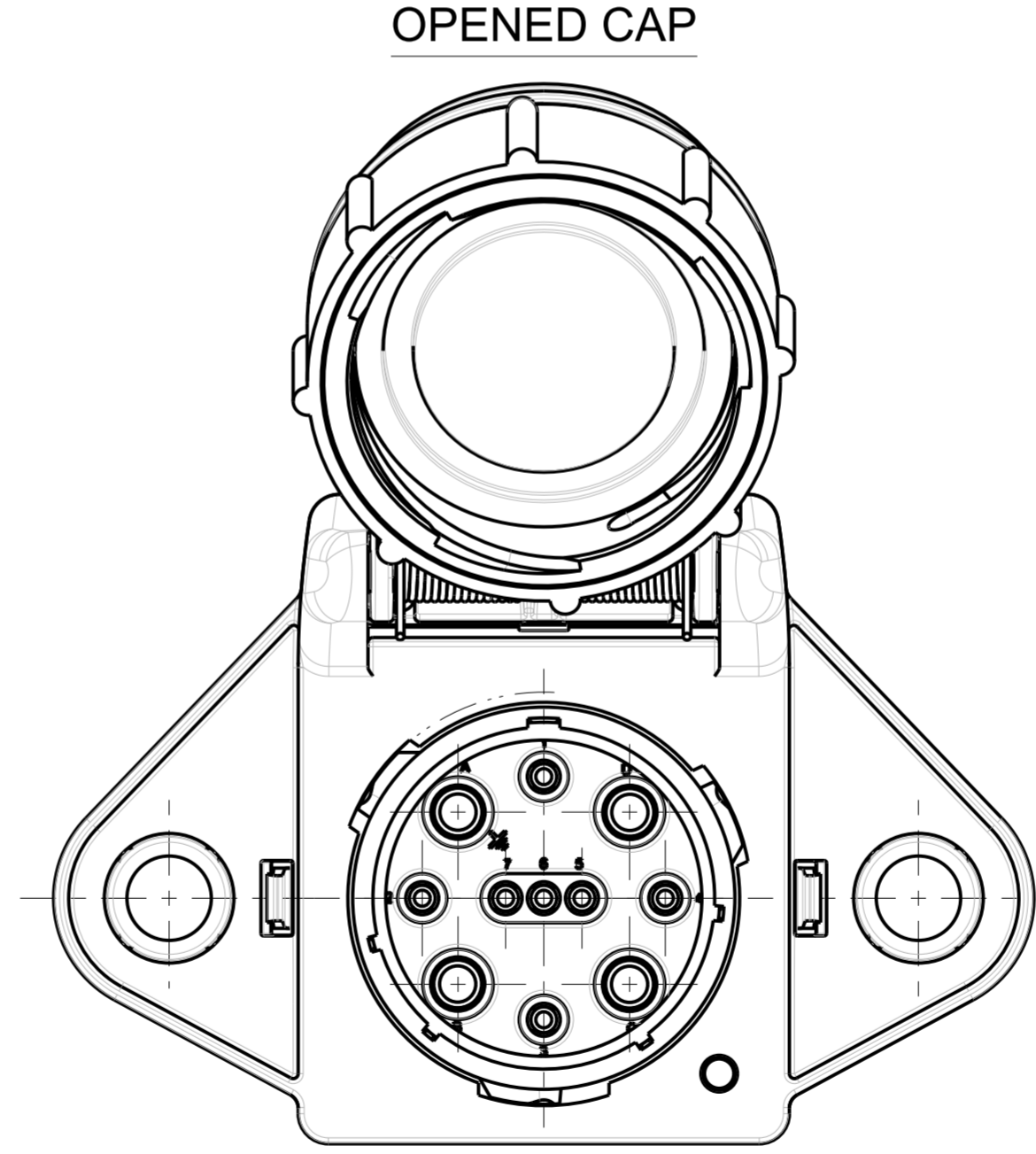
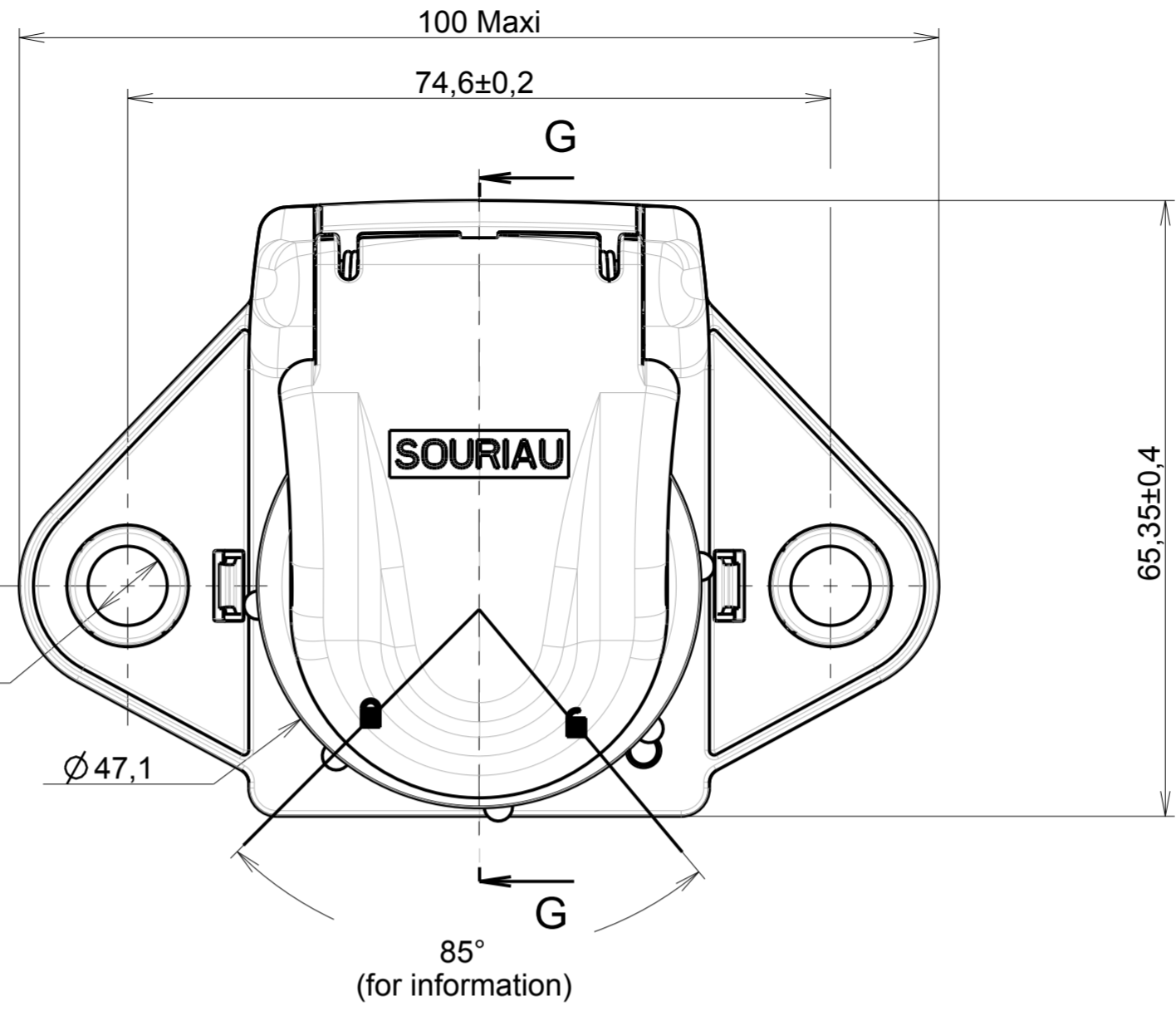


2 Holes $\varnothing 8,4$
 for screw M8
 tightening torque :
 4.5Nm Mini / 5.5Nm Maxi

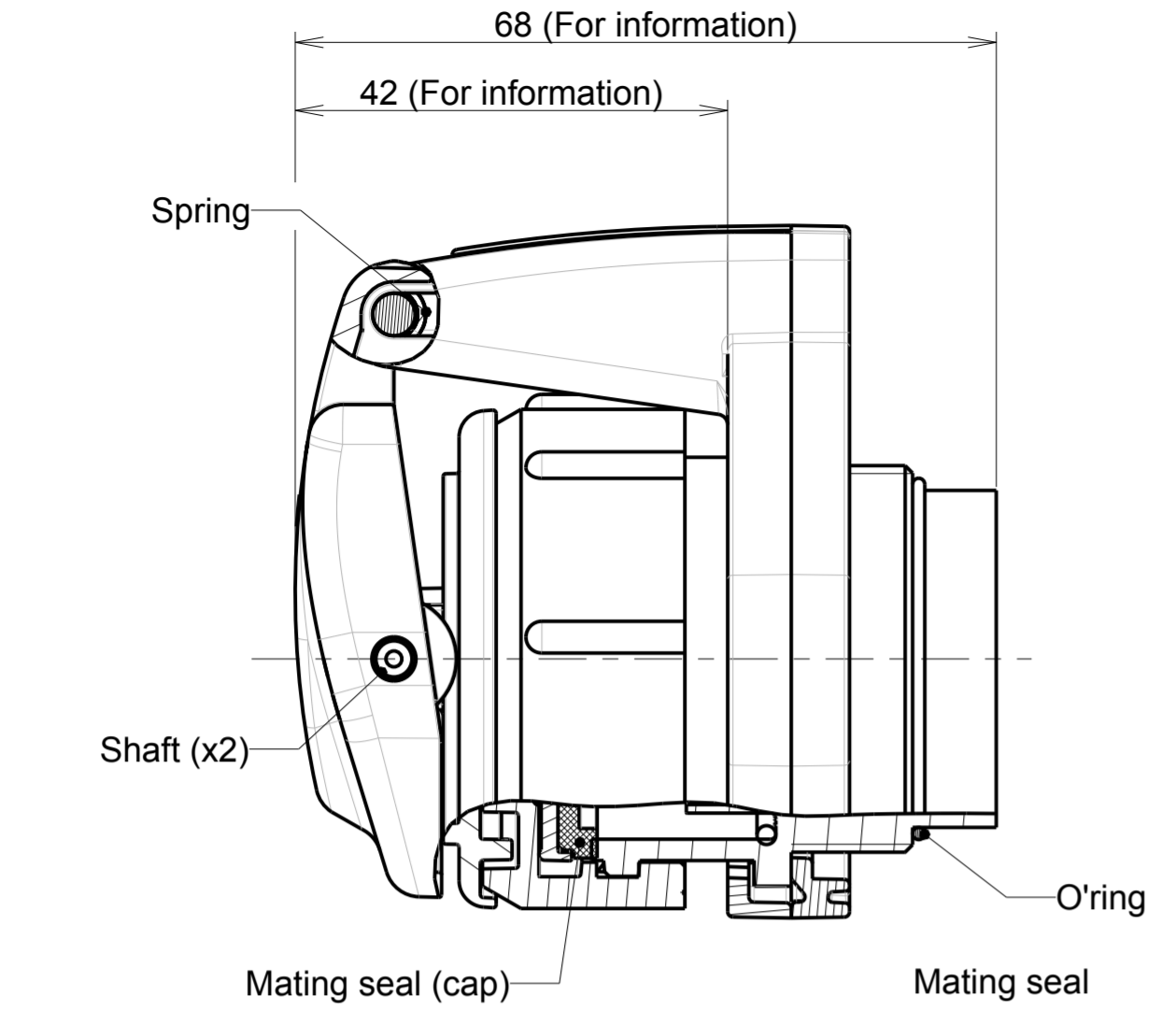


P/N : WME10007A

g	23/07/14	Update drawing with tightening torque for the panel screw		23017TPR
ISS	DATE	Latest modification - by: J.FEURPRIER		MOD N°
Designed by: J.FEURPRIER		Date: 08/06/12	CUSTOMER DRAWING	
TITLE		CAPS FOR RECEPTACLE SIZE 24		
		UTP CONNECTOR		
Scale	1/1	General linear Tolerances: ± 0.2	NPRDS / PROJECT IC131707A	
SOURIAU		WWW.SOURIAU.COM		This document is the property of SOURIAU. It must not be reproduced or communicated without permission.
FORMAT	A2	SOURIAU DRG N° WME1-0007A-C01		SHEET 1 / 1

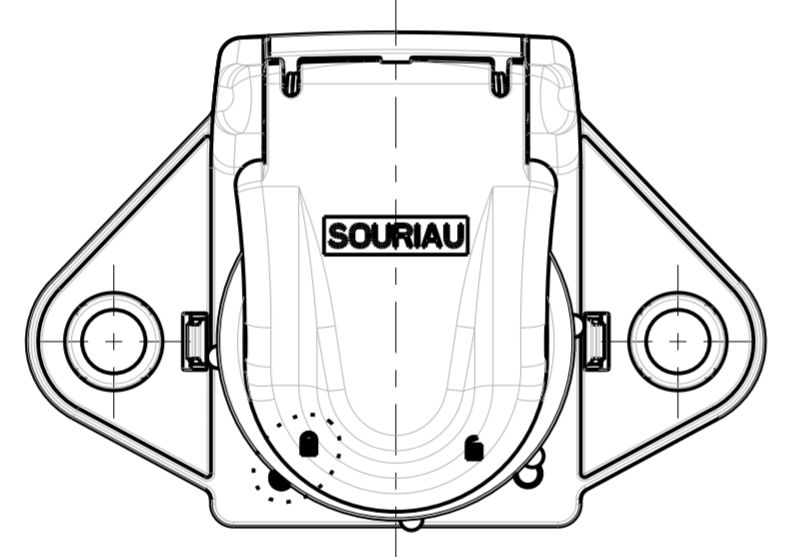
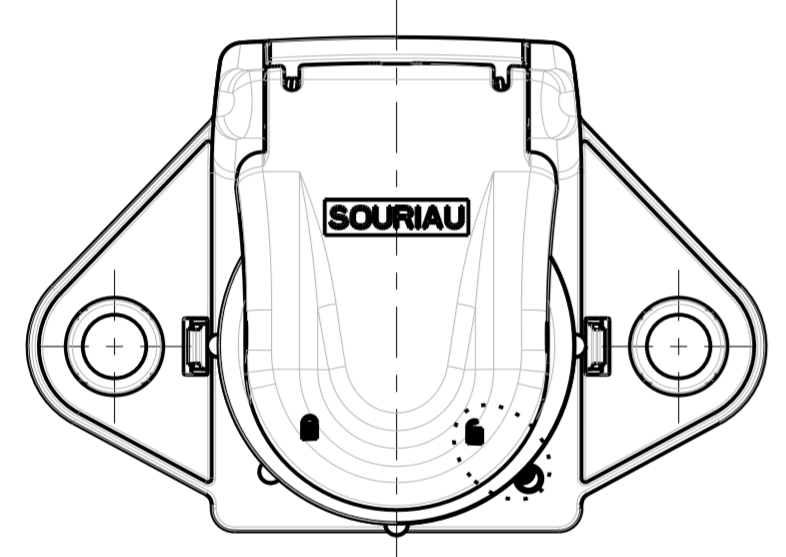


REP	P/N	DESCRIPTION	COMMENTS	QTY
1	WME10007A	Locking cap size 24	Included Receptacle WME10003A	1
2	RM16M23K	PIN #16	Delivered separately	7
3	82913603A	PIN #8	Delivered separately	4



UNLOCKED POSITION

LOCKED POSITION (IP69k)



ASSEMBLY DIMENSION (for information only)

