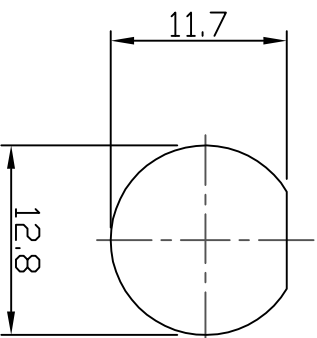
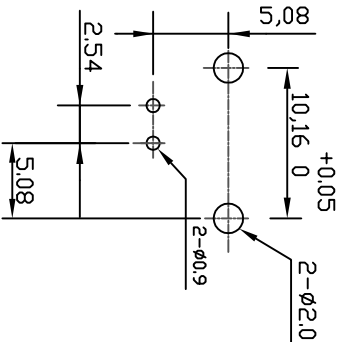
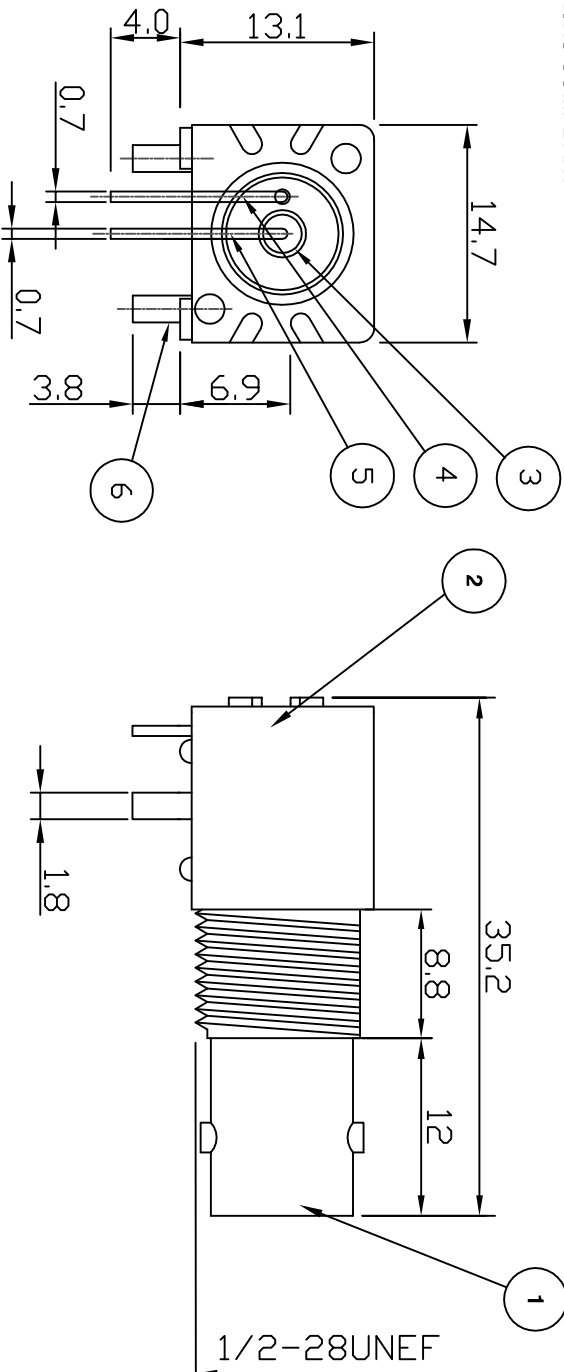


## 阅读申明

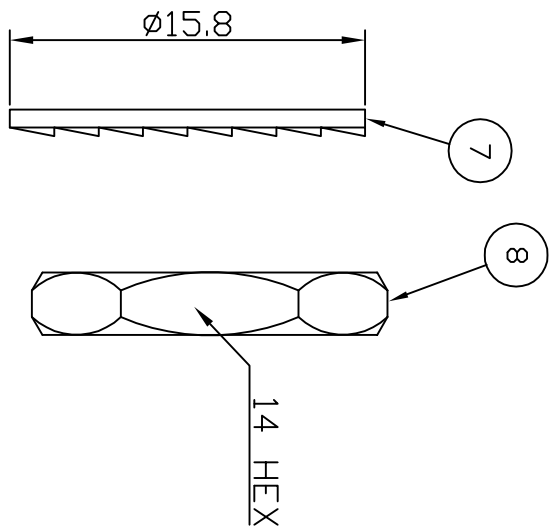
- 1.本站收集的数据手册和产品资料都来自互联网，版权归原作者所有。如读者和版权方有任何异议请及时告之，我们将妥善解决。
- 2.本站提供的中文数据手册是英文数据手册的中文翻译，其目的是协助用户阅读，该译文无法自动跟随原稿更新，同时也可能存在翻译上的不当。建议读者以英文原稿为参考以便获得更精准的信息。
- 3.本站提供的产品资料，来自厂商的技术支持或者使用者的心得体会等，其内容可能存在描述上的差异，建议读者做出适当判断。
- 4.如需与我们联系，请发邮件到marketing@iczoom.com，主题请标有“数据手册”字样。

## Read Statement

1. The datasheets and other product information on the site are all from network reference or other public materials, and the copyright belongs to the original author and original published source. If readers and copyright owners have any objections, please contact us and we will deal with it in a timely manner.
2. The Chinese datasheets provided on the website is a Chinese translation of the English datasheets. Its purpose is for reader's learning exchange only and do not involve commercial purposes. The translation cannot be automatically updated with the original manuscript, and there may also be improper translations. Readers are advised to use the English manuscript as a reference for more accurate information.
3. All product information provided on the website refer to solutions from manufacturers' technical support or users the contents may have differences in description, and readers are advised to take the original article as the standard.
4. If you have any questions, please contact us at marketing@iczoom.com and mark the subject with "Datasheets" .



RECOMMENDED  
PANEL CUTOUT



RECOMMENDED PCB  
LAYOUT

**Electrical Characteristics**

Nominal Impedance: 50 ohms  
 Frequency Range: DC to 4 GHz  
 VSWR: 2:1 maximum  
 Operating Voltage (rms): 500 V maximum at sea level  
 Dielectric Withstand Voltage (rms): 1500 V maximum at sea level  
 Center Contact Resistance: 3 milliohms maximum  
 Outer Contact Resistance: 2 milliohms maximum  
 Insulation Resistance: 5000 megohms minimum  
**Mechanical Characteristics**  
 Mating Cycles: 500 cycles minimum

**Environmental Characteristics**

Temperature Range: -40 °C to +85 °C

| PART | DESCRIPTION                                    |
|------|--|
| 1    | Shell<br>Zinc Alloy, nickel plated             |
| 2    | Body<br>P.B.T. UL94V-0 (White)                 |
| 3    | Dielectric<br>Polypropylene                    |
| 4    | Ground Terminal<br>Brass, tin plated           |
| 5    | Socket Contact<br>Phosphor Bronze, gold plated |
| 6    | Mount Post<br>Brass, tin plated > 5 Microns    |
| 7    | Lock Washer<br>Iron, nickel plated             |
| 8    | Hex Nut<br>Brass, nickel plated                |

| Posts and contact dimension change | JC    | 11  | 09 July 15 |
|------------------------------------|-------|-----|------------|
| ECN 2015-005                       | JC    | 10  | 28 May 15  |
| Text Change                        | JC    | 9   | 24 Jan 13  |
| PCB Mounting Dimensions Corrected  | LB    | 8   | 21 Jan 09  |
| Complete Update                    | KA    | 7   | 13 Mar 08  |
| Updated Address                    | KA    | 6   | 22 Feb 08  |
| CAD Issue                          | SN    | 5   | 05 Feb 02  |
| Added UL Numbers                   | AT    | 4   | 01 June 99 |
| DESCRIPTION OF REVISION            | APPVD | ISS | DATE       |

TITLE:

**BNC R/A PCB Mount Jack  
(low profile)**

PART NUMBER:

**VB1211**

SCALE: Not To Scale

DIMENSIONS: mm

TOLERANCES:

± 0.2mm unless  
otherwise stated

DRAWN BY:

S Nash

CHECKED BY:

S Nash

APPROVED BY:

M Nielsen

DATE:

05 Feb 02

11 Bilton Road,  
Chelmsford Essex,  
CM1 2UP, UK.  
Tel: +44 (0) 1245 359515  
Fax: +44 (0) 1245 359338

