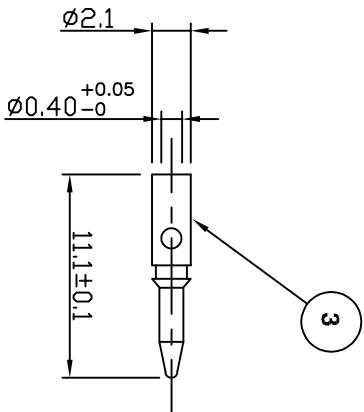
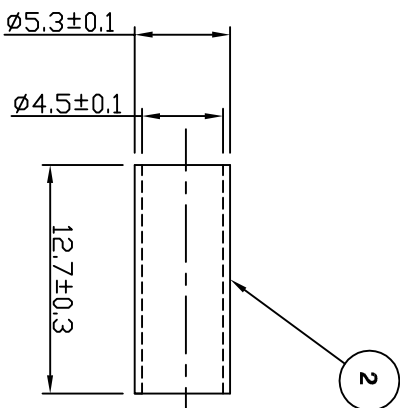
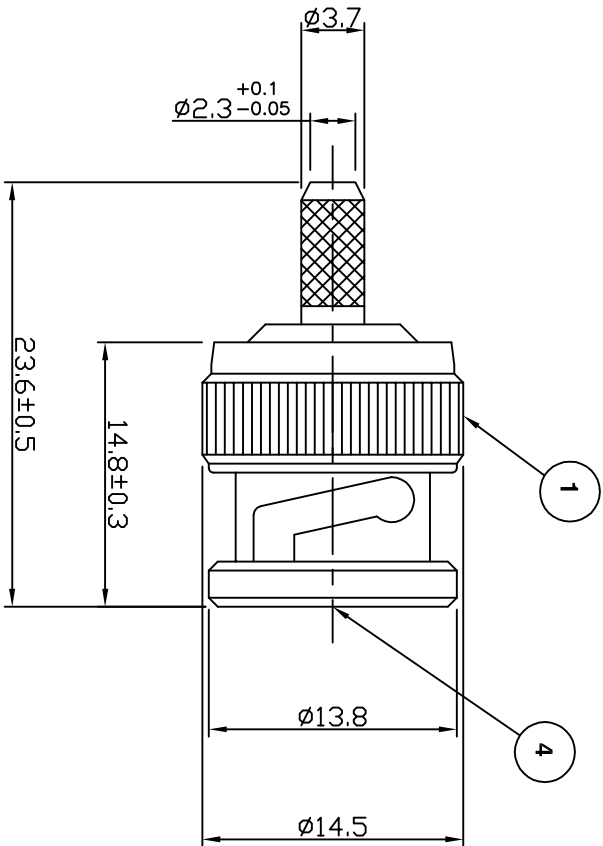


阅读申明

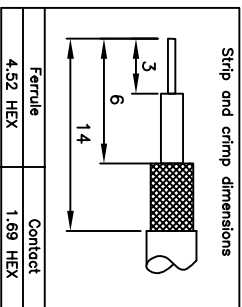
- 1.本站收集的数据手册和产品资料都来自互联网，版权归原作者所有。如读者和版权方有任何异议请及时告之，我们将妥善解决。
- 2.本站提供的中文数据手册是英文数据手册的中文翻译，其目的是协助用户阅读，该译文无法自动跟随原稿更新，同时也可能存在翻译上的不当。建议读者以英文原稿为参考以便获得更精准的信息。
- 3.本站提供的产品资料，来自厂商的技术支持或者使用者的心得体会等，其内容可能存在描述上的差异，建议读者做出适当判断。
- 4.如需与我们联系，请发邮件到marketing@iczoom.com，主题请标有“数据手册”字样。

Read Statement

1. The datasheets and other product information on the site are all from network reference or other public materials, and the copyright belongs to the original author and original published source. If readers and copyright owners have any objections, please contact us and we will deal with it in a timely manner.
2. The Chinese datasheets provided on the website is a Chinese translation of the English datasheets. Its purpose is for reader's learning exchange only and do not involve commercial purposes. The translation cannot be automatically updated with the original manuscript, and there may also be improper translations. Readers are advised to use the English manuscript as a reference for more accurate information.
3. All product information provided on the website refer to solutions from manufacturers' technical support or users the contents may have differences in description, and readers are advised to take the original article as the standard.
4. If you have any questions, please contact us at marketing@iczoom.com and mark the subject with "Datasheets" .



For stripping and assembly instructions see Drawing Number: VAIB1101



PART	DESCRIPTION	LB	SN	DATE
1	Body			
2	Ferrule			
3	Contact			
4	Dielectric			

DESCRIPTION OF REVISION	APPVD	ISS	DATE
Strip And Crimp Dims Added			26 Aug 09
CAD Issue			18 Jan 02
Pin hole size changed			21 Jan 98
First Issue			04 March 96

Electrical Characteristics

Nominal Impedance: 75 ohms
 Frequency Range: DC to 1 GHz
 VSWR: 1.35:1 maximum
 Insertion Loss: 0.1 dB at 1 GHz
 Operating Voltage (rms): 500 V maximum at sea level
 Dielectric Withstand Voltage (rms): 1500 V maximum at sea level
 Contact Resistance: 1.5 milliohms maximum
 Insulation Resistance: 5000 megohms minimum

Mechanical Characteristics

Mating Cycles: 500 cycles minimum
 Interface Dimensions: Conform to MIL-C-39012

Environmental Characteristics

Temperature Range: -65 °C to +165 °C



Connectivity Solutions
 7-13 Russel Way,
 Widford Industrial Estate,
 Chelmsford, Essex,
 CM1 3AA, UK.
 Tel: +44 (0) 1245 369515
 Fax: +44 (0) 1245 358938

SCALE: Not To Scale	DRAWN BY: S Nash
DIMENSIONS: mm	CHECKED BY: P Couzens
TOLERANCES: ± 0.2mm unless otherwise stated	APPROVED BY: P Couzens
	DATE: 18 Jan 02

TITLE: BNC Crimp Plug for RG179, RG187, BT3002, TZC75024, and PSF1/7M	PART NUMBER: VB10-2062
	PAGE: 1 of 1