

阅读申明

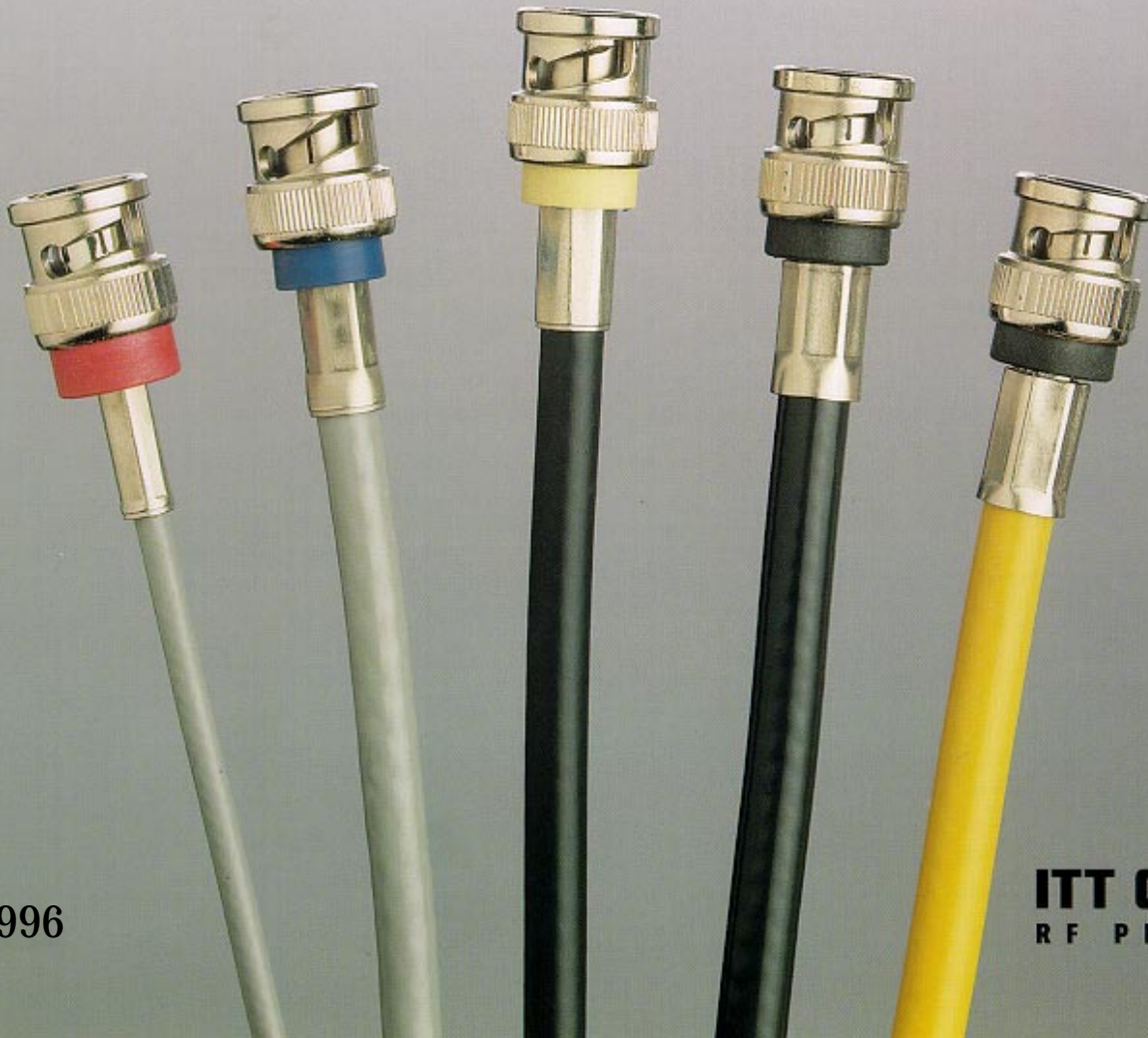
- 1.本站收集的数据手册和产品资料都来自互联网，版权归原作者所有。如读者和版权方有任何异议请及时告之，我们将妥善解决。
- 2.本站提供的中文数据手册是英文数据手册的中文翻译，其目的是协助用户阅读，该译文无法自动跟随原稿更新，同时也可能存在翻译上的不当。建议读者以英文原稿为参考以便获得更精准的信息。
- 3.本站提供的产品资料，来自厂商的技术支持或者使用者的心得体会等，其内容可能存在描述上的差异，建议读者做出适当判断。
- 4.如需与我们联系，请发邮件到marketing@iczoom.com，主题请标有“数据手册”字样。

Read Statement

1. The datasheets and other product information on the site are all from network reference or other public materials, and the copyright belongs to the original author and original published source. If readers and copyright owners have any objections, please contact us and we will deal with it in a timely manner.
2. The Chinese datasheets provided on the website is a Chinese translation of the English datasheets. Its purpose is for reader's learning exchange only and do not involve commercial purposes. The translation cannot be automatically updated with the original manuscript, and there may also be improper translations. Readers are advised to use the English manuscript as a reference for more accurate information.
3. All product information provided on the website refer to solutions from manufacturers' technical support or users the contents may have differences in description, and readers are advised to take the original article as the standard.
4. If you have any questions, please contact us at marketing@iczoom.com and mark the subject with "Datasheets" .

QT™ BNC 75 OHM

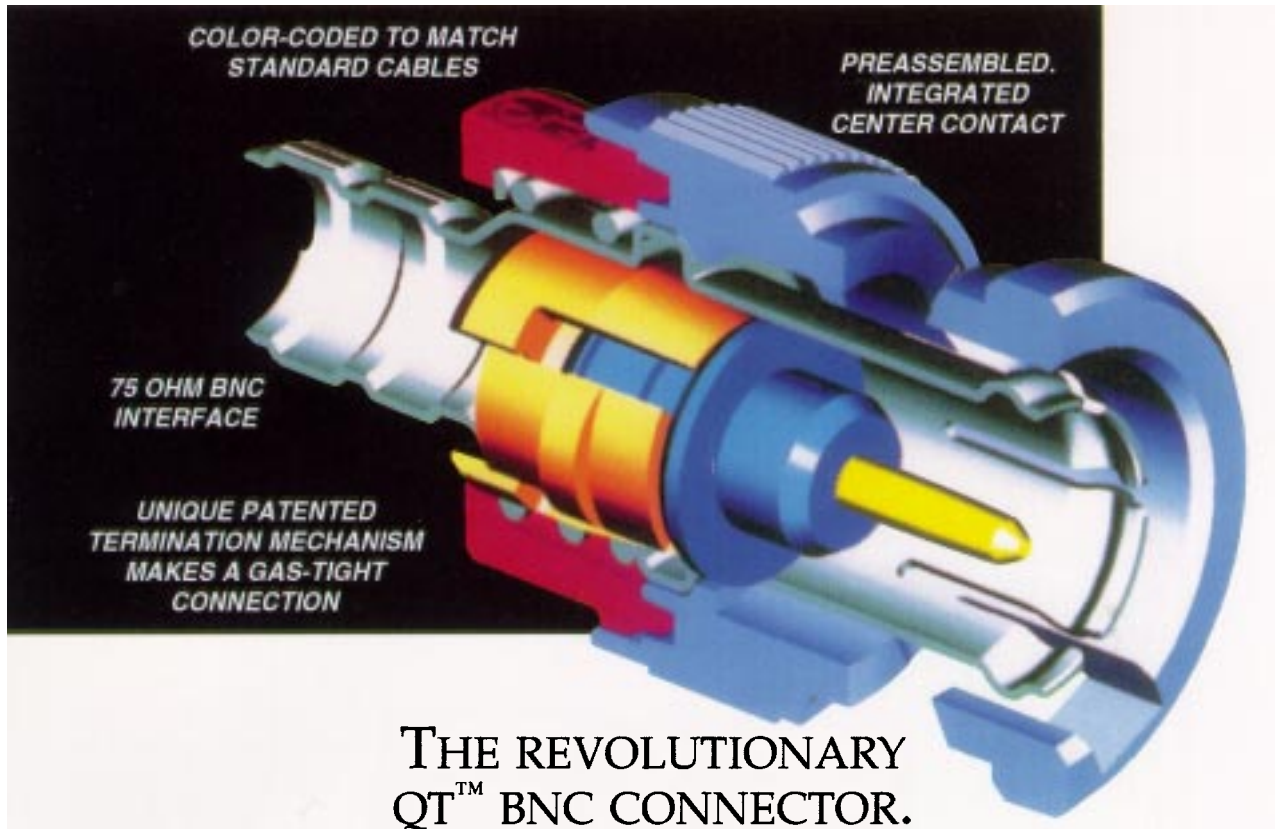
COAXIAL CONNECTORS



1996

ITT Cannon
RF PRODUCTS

0-2 GHZ IN TEN SECONDS, FLAT.



THE REVOLUTIONARY QT™ BNC CONNECTOR. IT'S ABOUT TIME.

BECAUSE TIME IS MONEY.

Thanks to a unique integrated center contact design, the problems associated with handling the separate center contacts are eliminated. The patented QT (Quick Termination) BNC provides you with a 50-75% time savings, through the simple two-step termination method.

But that's not the half of it. These industry-standard 75Ω BNC connectors meet the rigorous specifications of the telecommunications and broadcast industries and are color-coded to easily identify all the popularly sized solid center conductor coax cables.

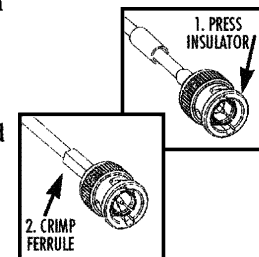
It's a perfect fit for telephony, broadcast, data communications and other applications. And standard industry rear ferrule crimp tools can be utilized or our optional single-action QT termination tool (pushes insulator, crimps ferrule) is available, to make connections in no time flat.

Don't wait another second to find out more.

Call us at 800-532-3750 or at 860-223-2700.

Or fax us at 860-225-2781.

After all, time is... well, you know.



ITT Cannon manufactures the highest quality products available in the marketplace; however these products are intended to be used in accordance with the specifications in this publication. Any use or application that deviates from stated operating specifications is not recommended and may be unsafe. No information and data contained in this publication shall be construed to create any liability on the part of ITT Cannon. Any new issue of this publication shall automatically invalidate and supersede any and all previous issues. **A limited warranty applies to ITT Cannon products. Except for obligations assumed by ITT Cannon under this warranty, ITT Cannon shall not be liable for any loss, damage, cost of repairs, incidental or consequential damages of any kind, whether or not based on express or implied warranty, contract, negligence, or strict liability arising in connection with the design, manufacture, sale, use, or repair of the products.** Product availability, prices and delivery dates are exclusively subject to our respective order confirmation form; the same applies to orders based on development samples delivered. This publication is not to be construed as an offer. It is intended merely as an invitation to make an offer. By this publication, ITT Cannon does not assume responsibility or any liability for any patent infringements or other rights of third parties which may result from its use. Reprinting this publication is generally permitted, indicating the source. However, ITT Cannon's prior consent must be obtained in all cases.

Introduction

This totally new termination technique provides a high pressure, gas tight center conductor joint of exceptional mechanical integrity, without crimping or having to solder the center contact. This connector can be terminated onto cable in less than 20 seconds, significantly reducing installation costs.

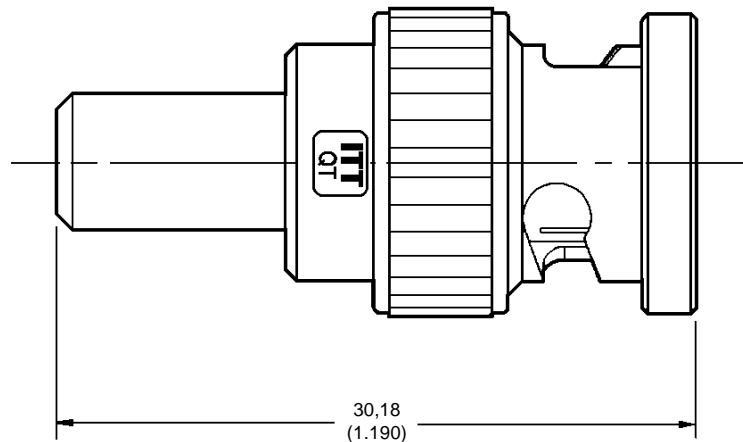
The 75 Ω BNC connector is designed to meet or exceed the requirements of digital telecommunications and digital video broadcast applications up to 2 GHz.

To obtain additional technical information, pricing and delivery, please call ITT Cannon RF Products at 1-800 532-3750 or 860-223-2700



Features

- ◆ Gas tight center conductor joint
- ◆ Color coded rear cap for easy identification of cable types
- ◆ Fast assembly application
- two piece design with one crimping operation terminating inner and outer conductors
- ◆ Knurled rear post for improved cable retention
- ◆ Low VSWR/Insertion loss
- ◆ Gold plated center contacts exceeding the corrosion requirements of MIL-C-39012 specification
- ◆ Optional colored strain relief boot



Specification

ELECTRICAL

Impedance	75 Ω nominal
Frequency Range	DC to 2.0 GHz
Voltage Rating	At sea level = 500 V rms.
Insulation Resistance	5000 MΩ minimum
Contact Resistance	Outer contact = 2.0 mΩ initial. 4.0 mΩ post environmental Braid to body = 1.0 mΩ maximum
Termination Resistance (QT centre contact)	3 mΩ maximum (excluding pole resistance)
Voltage Standing Wave Ratio (VSWR)	DC - 1 GHz: 1.2 maximum. 1 - 2 GHz: 1.3 maximum
Contact Current Rating	1.5 A dc maximum
Insertion Loss	0.2 dB maximum @ 2 GHz
RF Leakage	-60 dB typical up to 2 GHz
Dielectric Withstanding Voltage (DWV)	1500 Vrms @ sea level
Corona Level	375 Vrms minimum @ 21 km (70k feet)

MECHANICAL

Insertion Force	22.3 N (5 lbs) maximum
Coupling Mechanism Retention	445 N (100 lbs.) minimum
Contact/Insulator Retention	22.3 N (5 lbs.) minimum axial force
Materials	Body: Phosphor bronze. Contact: Beryllium copper. Insulators: Polymers rated to UL94VO
Finish/Plating	Ferrule: Annealed copper alloy. Center contact: Gold plated. Other metal parts nickel plated.

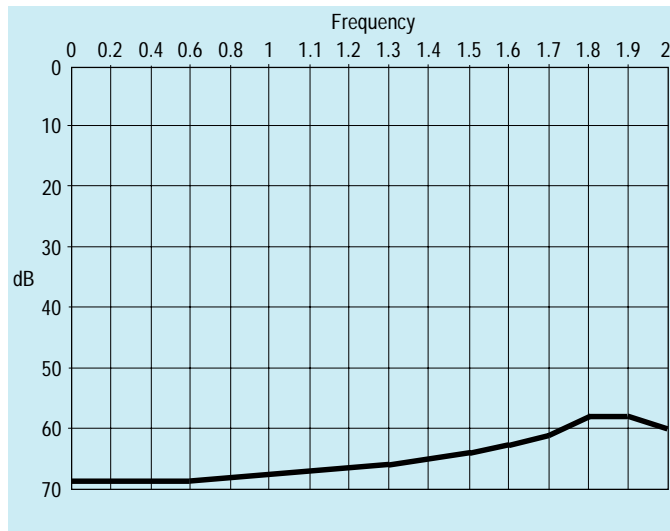
ENVIRONMENTAL

Temperature Rating	-40°C to 85°C
Vibration	(a) Frequency range from 10 Hz to 500 Hz. (b) Displacement: 0.75 (.029) (c) Acceleration: 98 m/S ² (d) Duration: 6 hours
Shock	490 m/S ² for 11 ms
Bump	4000 total at 390 m/S ²

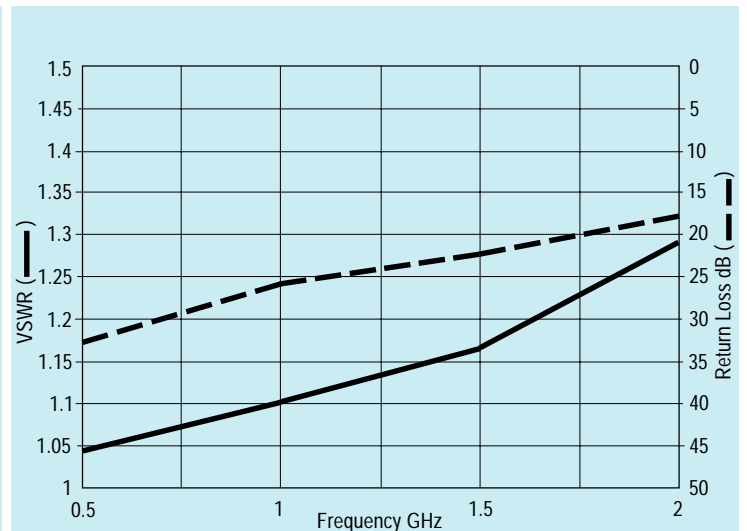
GENERAL

Connector Durability	200 matings minimum		
Cable Retention	Cable	Axial Force	Torque
	M17/29-RG59/U	133 N (30 lbs.) minimum	0.9 Nm (8.0 in. lbs.)
	ATT 734	133 N (30 lbs.) minimum	0.9 Nm (8.0 in. lbs.)
	ATT 735A	45 N (10 lbs.) minimum	0.45 Nm (4.0 in. lbs.)
	Belden 1694A	133 N (30 lbs.) minimum	0.9 Nm (8.0 in. lbs.)

Typical RF Leakage



Typical Frequency Response



To obtain a copy of the Qualification Test Report please call ITT Cannon RF Products at 1-800 532-3750 or 860-223-2700 (US), +44 (0) 1256 311516 (UK)

Connector/Tooling Ordering Guide

Straight Cable Plug Part Number (Single Pack)*	Cable Type	Crimp Hex. (Die Size)	Center Conductor Diameter	Combined Assembly/ Crimp Tool Part Number	Die Only Part Number	Calibration/Gaging Kit Part Number
W58-124-9059910	ATT 735A	4,22 (.166)	0,40 ± 0,005 (.015 ± .0002)	050-000-0030030	050-000-0030032	050-000-0030033
W58-124-9019910*	ATT 735A	4,52 (.178)	0,40 ± 0,005 (.015 ± .0002)	050-000-0030020	050-000-0030022	050-000-0030023
W58-124-9029910	ATT 734	6,48 (.255)	0,79 ± 0,008 (.031 ± .0003)	050-000-0030040	050-000-0030042	050-000-0030043
W58-124-9069910*	ATT 734	6,48 (.255)	0,79 ± 0,008 (.031 ± .0003)	050-000-0030050	050-000-0030042	050-000-0030043
W58-124-9039910	M17/29-RG59/U	6,48 (.255)	0,57 ± 0,028 (.022 ± .001)	050-000-0030040	050-000-0030042	050-000-0030043
W58-124-9049910	Belden 1694A	7,62 (.300)	1,02 ± 0,010 (.040 ± .0004)	050-000-0030010	050-000-0030012	050-000-0030013

* In accordance with KS23558

* To obtain connectors supplied in bulk pack (quantity 100) change last digit of part number to 6.

Connector Manufacturers Cross Reference

ITT Cannon	Kings	AMP	Amphenol	Trompeter	Canare	ADC	Gilbert	Berg
W58-124-9059910	2025-44-9	1-413589-0	31-70072	UPL220-735A	None	BNC-735	NS-5722-5	28P374-6
W58-124-9029910	2025-76-9	413589-7	7008-1000	UPL220-734	None	BNC-734	GBNC-62P145	28P374-5
W58-124-9039910	2025-36-9	221185-2	31-70008	UPL220-RG59	BCP-C4B	BNC-59	GBNC-62P145	28P374-1
W58-124-9049910	2025-79-9	221185-1	31-71064*	UPL220-020	BCP-C5B	BNC-1694	GA-BNC-6-8AHS-342L	None

* Amphenol also uses 31-71000-RFX-1 and 31-70000

Strain Relief Boots

If the connector application is such that the connector will experience extreme side loads (i.e. 90° bends of cable), ITT Cannon recommends the use of the optional strain relief boot.

The boot will transfer side loads exerted by the cable to the coupling nut, avoiding high stresses and interface movement. The boot also creates a more rugged connector for floor wiring applications and minimises dust ingress.

The boot also comes in various colors to aid in application identification.

Boot Part Number	Color
33532-47-00	Black
33532-47-01	Brown
33532-47-02	Red
33532-47-03	Orange
33532-47-04	Yellow
33532-47-05	Green
33532-47-06	Blue
33532-47-07	Violet
33532-47-08	Gray
33532-47-09	White

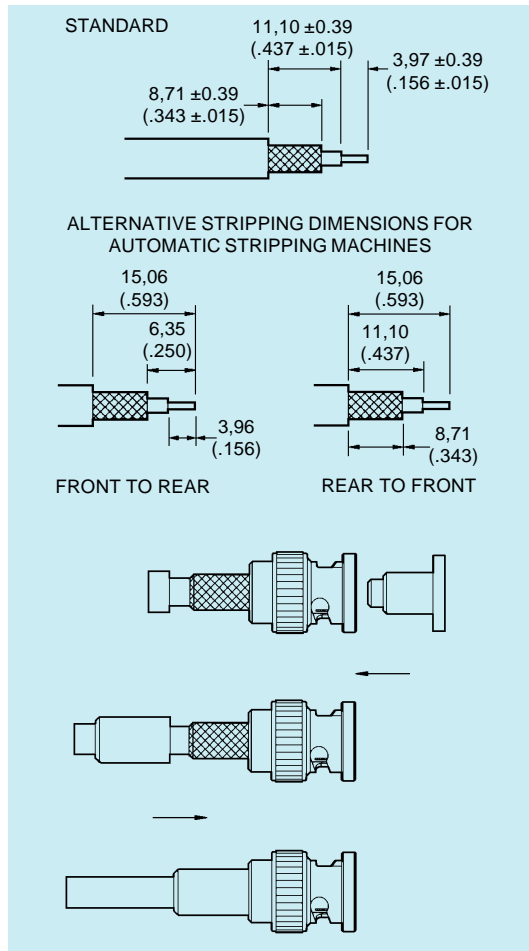
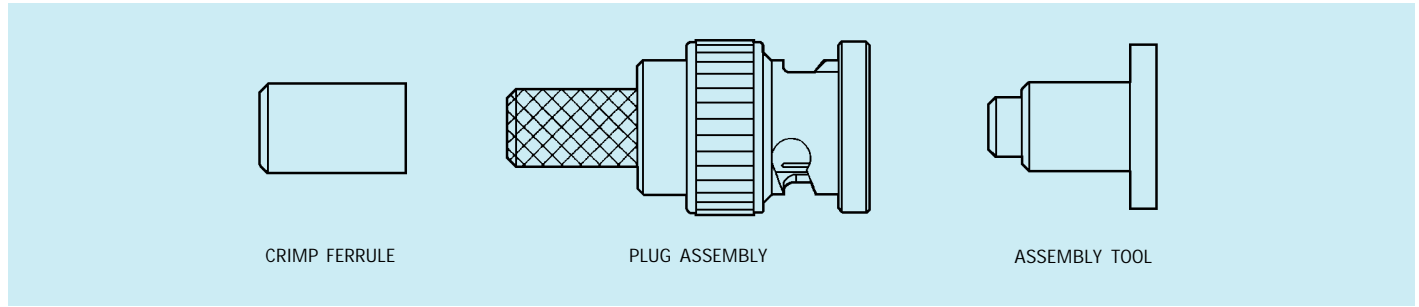


NOTE

These boots are suitable for use with Cable Types ATT 734, Belden 1694A and M17/29-RG59/U only.

BBAI-1243

QT™ 75Ω BNC Plug for Braided Cable



1. Prepare cable using a suitable stripping tool to the dimensions shown, being careful not to damage the braid, dielectric, foil or inner conductor.

NOTE: Do not attempt to mate unterminated connectors.

2. ENSURE THAT THE INNER CONDUCTOR IS STRAIGHT.
After removal of the assembly tool from the crimp barrel (if fitted), slide crimp ferrule over the cable sheath. Fit the plug assembly onto the cable so that the crimp barrel slides between the dielectric/foil and the braid (gently twisting and rocking the plug assembly to spread the braid will help). Care must be taken to ensure that no strands of braid are trapped under the body. The cable must be inserted until the dielectric can be felt butting against the rear insulator.
3. Supporting the cable and plug assembly in one hand, press the front insulator fully home using the plastic assembly tool provided. A light pull on the cable will confirm the captivation of the center conductor. (This step can be eliminated if the ITT Cannon QT Crimp Tool is being used).
4. Slide the ferrule over braid until it butts up to the back of the connector. Crimp in position using an ITT Cannon Crimp Tool and suitable die set (See table).

Alternative method, using combined assembly/crimp tool

Load the connector assembly into the combined assembly/crimp tool (see table) making sure that the center pin is aligned with the hole in the dielectric bushing and the ferrule aligned in the die. Close tool handles until ratchet releases. Allow tool handles to return to the open position and remove crimped connector assembly.



Cable Type	Cap Color	Die Size	Die Part Number	Combined Assembly/ Crimp Tool Part Number
ATT 735A	Red	4,22 (.166)	050-000-0030032	050-000-0030030
ATT 735A †	Red	4,52 (.178)	050-000-0030022	050-000-0030020
ATT 734	Blue	6,48 (.255)	050-000-0030042	050-000-0030040
ATT 734 †	Blue	6,48 (.255)	050-000-0030042	050-000-0030050
M17/29-RG59/U	Yellow	6,48 (.255)	050-000-0030042	050-000-0030040
Belden 1694A	Black	7,62 (.300)	050-000-0030012	050-000-0030010

† In accordance with KS23558

Product Safety Information

THIS NOTE MUST BE READ IN CONJUNCTION WITH THE PRODUCT DATA SHEET/CATALOG.

FAILURE TO OBSERVE THE ADVICE IN THIS INFORMATION SHEET AND THE OPERATING CONDITIONS SPECIFIED IN THE PRODUCT DATA SHEET/CATALOG COULD RESULT IN HAZARDOUS SITUATIONS.

1 MATERIAL CONTENT AND PHYSICAL FORM

Electrical connectors do not usually contain hazardous materials. They contain conducting and non-conducting materials and can be divided into two groups.

a) Printed circuit types and low cost audio types which employ all plastic insulators and casings.

b) Rugged, Fire Barrier and High Reliability types with metal casings and either natural rubber, synthetic rubber, plastic or glass insulating materials. Contact materials vary with type of connector and also application and are usually manufactured from either: Copper, copper alloys, nickel, alumel, chromel or steel. In special applications, other alloys may be specified.

2 FIRE CHARACTERISTICS AND ELECTRIC SHOCK HAZARD

There is no fire hazard when the connector is correctly wired and used within the specified parameters. Incorrect wiring or assembly of the connector or careless use of metal tools or conductive fluids, or transit damage to any of the component parts may cause electric shock or burns. Live circuits must not be broken by separating mated connectors as this may cause arcing, ionisation and burning.

Heat dissipation is greater at maximum resistance in a circuit. Hot spots may occur when resistance is raised locally by damage, e.g. cracked or deformed contacts, broken strands of wire. Local overheating may also result from the use of the incorrect application tools or from poor quality soldering or slack screw terminals. Overheating may occur if the ratings in the product Data Sheet/Catalog are exceeded and can cause breakdown of insulation and hence electric shock.

If heating is allowed to continue it intensifies by further increasing the local resistance through loss of temper of spring contacts, formation of oxide film on contacts and wires and leakage currents through carbonisation of insulation and tracking paths. Fire can then result in the presence of combustible materials and this may release noxious fumes. Overheating may not be visually apparent. Burns may result from touching overheated components.

3 HANDLING

Care must be taken to avoid damage to any component parts of electrical connectors during installation and use. Although there are normally no sharp edges, care must be taken when handling certain components to avoid injury to fingers.

Electrical connectors may be damaged in transit to the customers, and damage may result in creation of hazards. Products should therefore be examined prior to installation/use and rejected if found to be damaged.

4 DISPOSAL

Incineration of certain materials may release noxious or even toxic fumes.

5 APPLICATION

Connectors with exposed contacts should not be selected for use on the current supply side of an electrical circuit, because an electric shock could result from touching exposed contacts on an unmated connector.

Voltages in excess of 30 V ac. or 42.5 V dc are potentially hazardous and care should be taken to ensure that such voltages cannot be transmitted in any way to exposed metal parts of the connector body. The connector and wiring should be checked, before making live, to have no damage to metal parts or insulators, no solder blobs, loose strands, conducting lubricants, swarf, or any other undesired conducting particles. Circuit resistance and continuity check should be made to make certain that there are no high resistance joints or spurious conducting paths. Always use the correct application tools as specified in the Data Sheet/Catalog.

Do not permit untrained personnel to wire, assemble or tamper with connectors. For operation voltage please see appropriate national regulations.

IMPORTANT GENERAL INFORMATION

(i) Air and creepage paths/Operating voltage

The admissible operating voltages depend on the individual applications and the valid national and other applicable safety regulations.

For this reason the air and creepage path data are only reference values. Observe reduction of air and creepage paths due to PC board and/or harnessing.

(ii) Temperature

All information given are temperature limits. The operation temperature depends on the individual application.

(iii) Other important information

ITT Cannon continuously endeavours to improve their products. Therefore, ITT Cannon products may deviate from the description, technical data and shape as shown in this catalog and data sheets.

(iv) Harnessing and Assembly Instructions

If applicable, our special harnessing and/or assembly instruction has to be adhered to. This is provided on request.

ITT Cannon Worldwide Facilities

Austria:

Afrikanergasse 3
1020 Vienna
FAX: 43.1.2160948 PH: 43.1.2160947

Benelux:

Rue Col. Bourg Str. 105A
1140 Brussels, Belgium
FAX: 32.2.7269201 PH: 32.2.7267594

China:

No. 24, Block 2
Taohuawu New District
Zhenjiang, Jiangsu
P.R.C.
FAX: 86.511.442.8616 PH: 86.511.443.3399

Denmark:

Park Allé 287 A
2605 Brøndby
FAX: 45.43.43.58.58 PH: 45.43.45.52.88

Finland:

Sarkatie 2
01720 Vantaa
FAX: 358 07003 9188 PH: 358 07003 9180

France:

2, Ave des Sablons Bouillants,
77109 Meaux Cedex
FAX: 33.1.64.33.16.82 PH: 33.1.64 33 48 05

Germany:

Postfach 11 20
71365 Weinstadt(letters)
Cannonstrasse 1
71384 Weinstadt (parcels)
FAX: 49.7151.699.217 PH: 49.7151.699.0

Hong Kong:

906 New World Office Building
West Wing, 20 Salisbury Road
Tsim Sha Tsui, Kowloon
FAX: 852.2732.2919 PH: 852.2732.2720

Israel:

Aro-Tech
14 Hamashot St, POB 44 47
75143 Rishon Lezion
FAX: 972.3.951.31.01 PH: 972.3.951.30.99

Italy:

Via Panzeri 10
20123 Milano
FAX: 39.2.8372036 PH: 39.2.581801

Japan:

5362-1, 5-chome
Hibarigaoka, Zama-shi
Kanagawa-ken, 228
FAX: 81.462.57.1680 PH: 81.462.57.2010

Korea:

620 Changkang Bldg.
#22, Dohwa-dong, Mapo-ku
Seoul
FAX: 82.2.717.7330 PH: 82.2.702.7111

Norway:

Frank El-Mek A/S
Postboks 42, Smestad
0309 Oslo
FAX: 47.22.50.32.05 PH: 47.22.50.70.20

Spain:

Edificio Italia 1a planta
Parque Empresarial San Fernando
San Fernando de Henares
28831 Madrid
FAX: 34.1.656.16.79 PH: 34.1.656.03.11
FAX: 34.1.656.15.83

Switzerland:

Herzogenmühle 18
8304 Wallisellen PH: 41.1.830.3888
FAX: 41.1.830.3104 PH: 41.1.830.3613

United Kingdom:

Jays Close, Viabes Estate
Basingstoke, Hants, RG22 4BW
FAX: 44.1256.323356 PH: 44.1256.311200

United States:

585 East Main Street
New Britain, CT06051 PH: 1.800.532.3750
FAX: 1.860.225.2781 PH: 1.860.223.2700

Internet:

<http://www.ittcannon.com>
