

## 阅读申明

- 1.本站收集的数据手册和产品资料都来自互联网，版权归原作者所有。如读者和版权方有任何异议请及时告之，我们将妥善解决。
- 2.本站提供的中文数据手册是英文数据手册的中文翻译，其目的是协助用户阅读，该译文无法自动跟随原稿更新，同时也可能存在翻译上的不当。建议读者以英文原稿为参考以便获得更精准的信息。
- 3.本站提供的产品资料，来自厂商的技术支持或者使用者的心得体会等，其内容可能存在描述上的差异，建议读者做出适当判断。
- 4.如需与我们联系，请发邮件到marketing@iczoom.com，主题请标有“数据手册”字样。

## Read Statement

1. The datasheets and other product information on the site are all from network reference or other public materials, and the copyright belongs to the original author and original published source. If readers and copyright owners have any objections, please contact us and we will deal with it in a timely manner.
2. The Chinese datasheets provided on the website is a Chinese translation of the English datasheets. Its purpose is for reader's learning exchange only and do not involve commercial purposes. The translation cannot be automatically updated with the original manuscript, and there may also be improper translations. Readers are advised to use the English manuscript as a reference for more accurate information.
3. All product information provided on the website refer to solutions from manufacturers' technical support or users the contents may have differences in description, and readers are advised to take the original article as the standard.
4. If you have any questions, please contact us at marketing@iczoom.com and mark the subject with "Datasheets" .

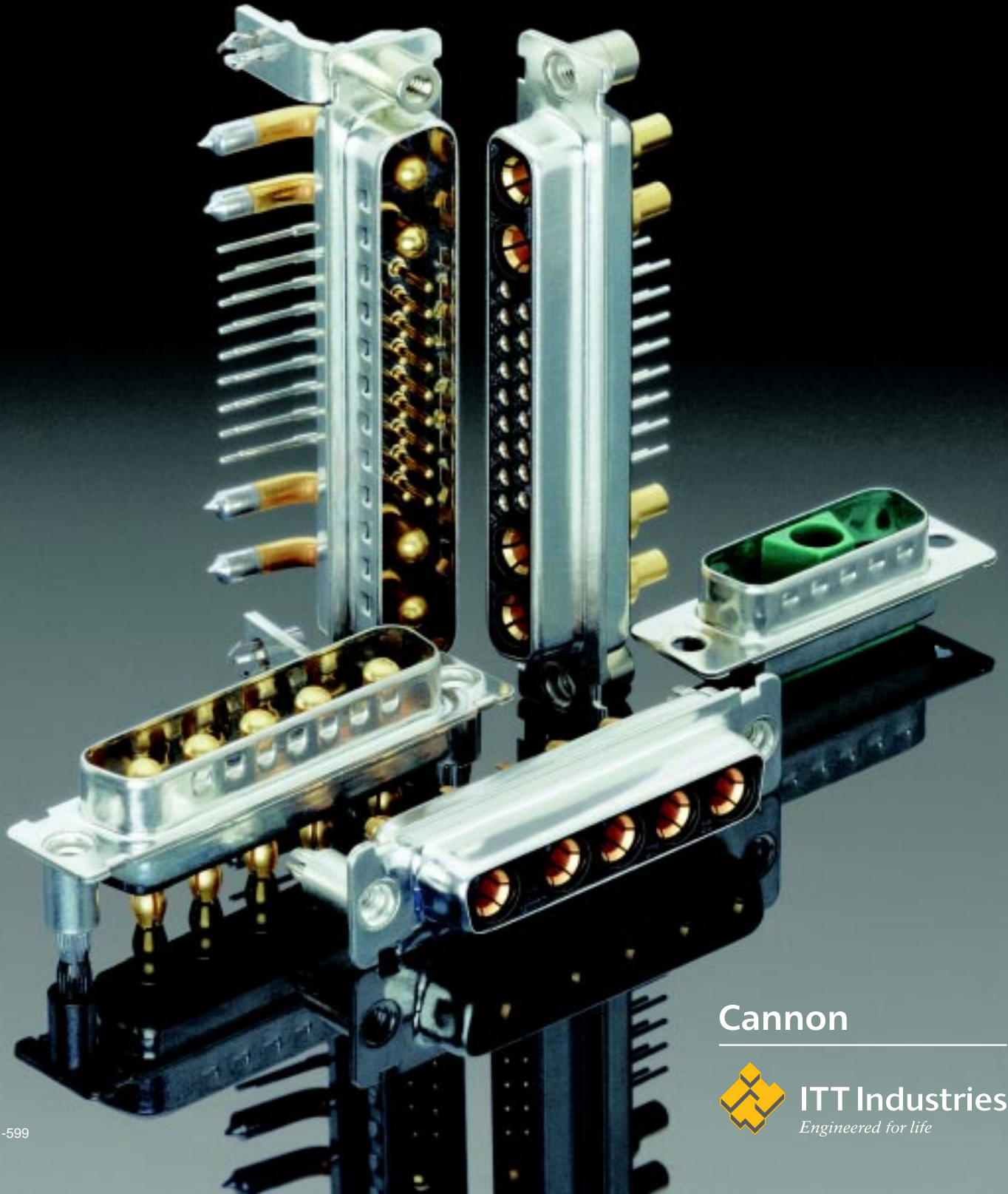


---

# COMBO D<sup>®</sup>

---

C O N N E C T O R S



## Contents

Combo D* Introduction .....	3
<b>Combo D* PCB Connectors with Coaxial Contacts</b>	
– 90°, European footprint (sizes DE – DC), with metal bracket .....	4
– 90°, European footprint (sizes DE – DC), with plastic bracket .....	6
– 90°, European footprint (sizes DE – DC), with plastic bracket and grounding bracket .....	8
– Straight, European solder pins (sizes DE – DC) .....	10
– Straight, European solder pins (size DD) .....	12
<b>Combo D* PCB Connectors with High Power Contacts 40 A</b>	
– 90°, European footprint (sizes DE – DC), with metal bracket .....	14
– 90°, European footprint (size DD), with metal bracket .....	16
– 90°, European footprint (sizes DE – DC), with plastic bracket .....	18
– 90°, European footprint (size DD), with plastic bracket .....	20
– 90°, European footprint (sizes DE – DC), with plastic bracket and grounding bracket .....	22
– 90°, European footprint (size DD), with plastic bracket and grounding bracket .....	24
– Straight, European solder pins (sizes DE – DC) .....	26
– Straight, European solder pins (size DD) .....	28
– Straight, with Pressfit termination (size DA – DC) .....	30
<b>Combo D* Connectors with empty Contact Cavities Size 8</b>	
– 90°, European footprint (sizes DE – DC) .....	32
– Straight, European solder pins (sizes DE – DC) .....	34
– Solder cup (sizes DE – DD) .....	36
– Crimp connectors, without contacts (sizes DA – DD) .....	40
– Crimp contacts size 20 .....	42
– – Loose contacts size 8 .....	44
<b>Contact Arrangements</b> .....	52
<b>PCB Holes Pattern</b> .....	54
<b>Mounting Methods</b> .....	86
<b>Tooling</b> .....	88
<b>Product Safety Information</b> .....	91

Combo D\* Subminiature connectors offer the advantages of an industry standard shield I/O interconnect, with the flexibility of a customized special, designed for any application.

This connector system is ideal for applications that require optimization of space while improving overall shielding. Combo D\* accomplishes this by combining multiple interconnection types into one fully shielded product, decreasing the number of I/O interfaces and reducing the possibility of EMI/RFI leakage.

By continually investing in engineering and manufacturing technology, Cannon has improved the performance and features of this popular product. This catalogue contains our latest efforts to meet the global requirements of the commercial electronics industry with a flexible, reliable and cost effective connector solution.

### Applications

- Video Coaxial Transmissions (75 Ω)
- RF- and Telecom Transmissions (50 Ω)
- Power Interconnects (up to 40 A)

### Features

- European Footprints
- Preinstalled 75/50 Ω Coaxial or High Power contacts (One Part Number only)
- Vertical Standoffs and 90° Brackets
- Straight and 90° Solder Pins
- For PC Boards up to 3,2 mm thickness
- PC Boards Variants with Pushfit or Post (M3 or 4-40)



### Technical Data

Temperature	-55/125° C		
Signal contacts	Current rating	7,5 A	
	Contact resistance	55 mV / 7,5 A test current	
	DWV	1250 VAC / sea level	
Coaxial contacts	Current rating	5 A	
	DWV	1000 VAC / sea level	
	Impedance	75 or 50 Ω	
	VSWR	> 1,3 + 0,03 F (F to 500 MHz)	
	Coaxial insertion loss	0,3 dB / 500 MHz	
High Power contacts	Current rating	to 40 A	
	DWV	1000 VAC / sea level	
HV contacts	Current rating	5 A	
	DWV	2800 V / sea level	

### Material and Finishes

Shell	Steel, tinned
Insulator	Thermoplast, black, UL94V-0
Pin contacts	Copper alloy, gold over nickel
Socket contacts	Copper alloy, gold over nickel, tin on balance
Standoff	German silver
Metal bracket	Steel
Clinch nut	German silver
Pushfit	German silver / steel (please consult factory)

Coaxial, High Power and HV contacts:

Contact	Copper alloy, gold over nickel
Retaining ring	Copper alloy, nickel
Insulator (coax only)	Teflon
Insulator (HV only)	Thermoplast

Coaxial 90° – European footprint, sizes DE – DC, with metal bracket

75 Ohm part numbers with metal bracket and captive nut M3

75 Ohm part numbers with metal bracket with bushing dia. 3,05

75 Ohm part numbers with metal bracket with post M3

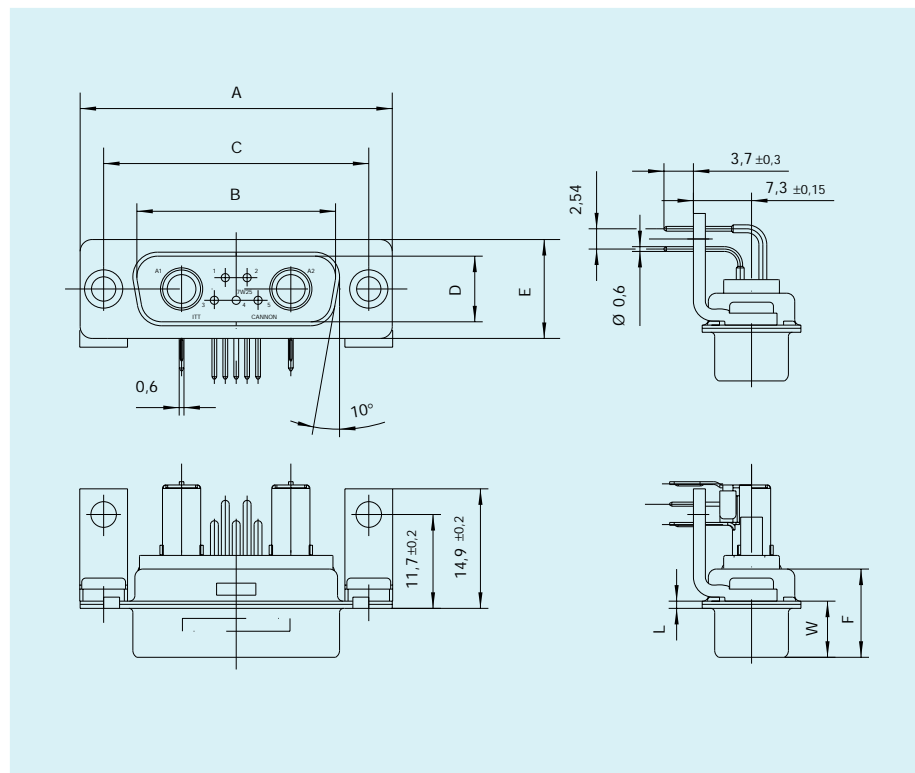
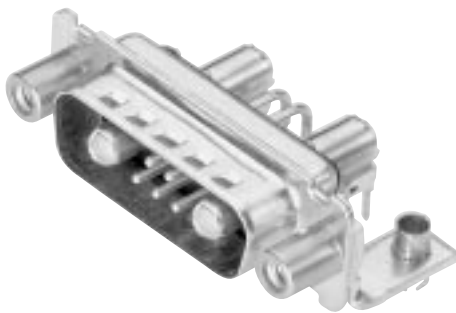
Shell size	Layout	P/N without pushfit	P/N with pushfit	P/N without pushfit	P/N with pushfit	P/N without pushfit	P/N with pushfit
DE	5W1	DEM-5C1P-1A9N-A191-K87	DEM-5C1P-1A9N-A191-K87-146	DEM-5C1P-1AFN-A191-K87	DEM-5C1P-1AFN-A191-K87-146	DEM-5C1P-1AHN-A191-K87	DEM-5C1P-1AHN-A191-K87-146
DA	7W2	DAM-7C2P-1A9N-A191-K87	DAM-7C2P-1A9N-A191-K87-146	DAM-7C2P-1AFN-A191-K87	DAM-7C2P-1AFN-A191-K87-146	DAM-7C2P-1AHN-A191-K87	DAM-7C2P-1AHN-A191-K87-146
DA	11W1	DAM-11C1P-1A9N-A191-K87	DAM-11C1P-1A9N-A191-K87-146	DAM-11C1P-1AFN-A191-K87	DAM-11C1P-1AFN-A191-K87-146	DAM-11C1P-1AHN-A191-K87	DAM-11C1P-1AHN-A191-K87-146
DA	3W3	DAM-3C3P-1A9N-A191-K87	DAM-3C3P-1A9N-A191-K87-146	DAM-3C3P-1AFN-A191-K87	DAM-3C3P-1AFN-A191-K87-146	DAM-3C3P-1AHN-A191-K87	DAM-3C3P-1AHN-A191-K87-146
DA	3WK3	DAM-3CK3P-1A9N-A191-K87	DAM-3CK3P-1A9N-A191-K87-146	DAM-3CK3P-1AFN-A191-K87	DAM-3CK3P-1AFN-A191-K87-146	DAM-3CK3P-1AHN-A191-K87	DAM-3CK3P-1AHN-A191-K87-146
DB	5W5	DBM-5C5P-1A9N-A191-K87	DBM-5C5P-1A9N-A191-K87-146	DBM-5C5P-1AFN-A191-K87	DBM-5C5P-1AFN-A191-K87-146	DBM-5C5P-1AHN-A191-K87	DBM-5C5P-1AHN-A191-K87-146
DB	9W4	DBM-9C4P-1A9N-A191-K87	DBM-9C4P-1A9N-A191-K87-146	DBM-9C4P-1AFN-A191-K87	DBM-9C4P-1AFN-A191-K87-146	DBM-9C4P-1AHN-A191-K87	DBM-9C4P-1AHN-A191-K87-146
DB	13W3	DBM-13C3P-1A9N-A191-K87	DBM-13C3P-1A9N-A191-K87-146	DBM-13C3P-1AFN-A191-K87	DBM-13C3P-1AFN-A191-K87-146	DBM-13C3P-1AHN-A191-K87	DBM-13C3P-1AHN-A191-K87-146
DB	17W2	DBM-17C2P-1A9N-A191-K87	DBM-17C2P-1A9N-A191-K87-146	DBM-17C2P-1AFN-A191-K87	DBM-17C2P-1AFN-A191-K87-146	DBM-17C2P-1AHN-A191-K87	DBM-17C2P-1AHN-A191-K87-146
DB	21W1	DBM-21C1P-1A9N-A191-K87	DBM-21C1P-1A9N-A191-K87-146	DBM-21C1P-1AFN-A191-K87	DBM-21C1P-1AFN-A191-K87-146	DBM-21C1P-1AHN-A191-K87	DBM-21C1P-1AHN-A191-K87-146
DC	8W8	DCM-8C8P-1A9N-A191-K87	DCM-8C8P-1A9N-A191-K87-146	DCM-8C8P-1AFN-A191-K87	DCM-8C8P-1AFN-A191-K87-146	DCM-8C8P-1AHN-A191-K87	DCM-8C8P-1AHN-A191-K87-146
DC	13W6	DCM-13C6P-1A9N-A191-K87	DCM-13C6P-1A9N-A191-K87-146	DCM-13C6P-1AFN-A191-K87	DCM-13C6P-1AFN-A191-K87-146	DCM-13C6P-1AHN-A191-K87	DCM-13C6P-1AHN-A191-K87-146
DC	17W5	DCM-17C5P-1A9N-A191-K87	DCM-17C5P-1A9N-A191-K87-146	DCM-17C5P-1AFN-A191-K87	DCM-17C5P-1AFN-A191-K87-146	DCM-17C5P-1AHN-A191-K87	DCM-17C5P-1AHN-A191-K87-146
DC	21WA4	DCM-21CA4P-1A9N-A191-K87	DCM-21CA4P-1A9N-A191-K87-146	DCM-21CA4P-1AFN-A191-K87	DCM-21CA4P-1AFN-A191-K87-146	DCM-21CA4P-1AHN-A191-K87	DCM-21CA4P-1AHN-A191-K87-146
DC	25W3	DCM-25C3P-1A9N-A191-K87	DCM-25C3P-1A9N-A191-K87-146	DCM-25C3P-1AFN-A191-K87	DCM-25C3P-1AFN-A191-K87-146	DCM-25C3P-1AHN-A191-K87	DCM-25C3P-1AHN-A191-K87-146
DC	27W2	DCM-27C2P-1A9N-A191-K87	DCM-27C2P-1A9N-A191-K87-146	DCM-27C2P-1AFN-A191-K87	DCM-27C2P-1AFN-A191-K87-146	DCM-27C2P-1AHN-A191-K87	DCM-27C2P-1AHN-A191-K87-146

For performance class 1 replace A191 with A190.  
For performance class 3 delete A191.

For 50 ohm coaxial replace C with X, Example:  
DCM-13C6P-1AFN-A191-K87-146 becomes  
DCM-13X6P-1AFN-A191-K87-146.

For pushfit 90° pcb hole diameter 3,2 mm replace 146 with 162. For captive nut 4-40UNC replace 1A9N with 1A7N and 1AHN with 1A8N.

Pin



- For contact cavity arrangements, see page 52.
- For pcb hole pattern, see page 54 – 56.
- For mounting methods, see page 86 – 87.
- For panel cut-outs, see our D Subminiature catalogue.
- For contact arrangements in shell size DD please refer to our D Subminiature catalogue.

Dimensions

Shell size	A ± 0,38	B ± 0,13	C ± 0,13	D ± 0,13	E ± 0,13	F ± 0,25	L + 0,2	W ± 0,4
DE	30,8	16,9	25	8,35	12,55	10,7	0,8	6,7
DA	39,15	25,25	33,3	8,35	12,55	10,7	0,8	6,7
DB	53,05	38,95	47,05	8,35	12,55	10,8	0,9	6,8
DC	69,3	55,4	63,5	8,35	12,55	10,8	0,9	6,8

Coaxial 90° – European footprint, sizes DE – DC, with metal bracket

75 Ohm part numbers with metal bracket and captive nut M3

75 Ohm part numbers with metal bracket with bushing dia. 3,05

75 Ohm part numbers with metal bracket with post M3

Shell Layout size	P/N without pushfit	P/N with pushfit	P/N without pushfit	P/N with pushfit	P/N without pushfit	P/N with pushfit
DE 5W1	DEM-5C1S-1A9N-A191-A197	DEM-5C1S-1A9N-A191-A197-146	DEM-5C1S-1AFN-A191-A197	DEM-5C1S-1AFN-A191-A197-146	DEM-5C1S-1AHN-A191-A197	DEM-5C1S-1AHN-A191-A197-146
DA 7W2	DAM-7C2S-1A9N-A191-A197	DAM-7C2S-1A9N-A191-A197-146	DAM-7C2S-1AFN-A191-A197	DAM-7C2S-1AFN-A191-A197-146	DAM-7C2S-1AHN-A191-A197	DAM-7C2S-1AHN-A191-A197-146
DA 11W1	DAM-11C1S-1A9N-A191-A197	DAM-11C1S-1A9N-A191-A197-146	DAM-11C1S-1AFN-A191-A197	DAM-11C1S-1AFN-A191-A197-146	DAM-11C1S-1AHN-A191-A197	DAM-11C1S-1AHN-A191-A197-146
DA 3W3	DAM-3C3S-1A9N-A191-A197	DAM-3C3S-1A9N-A191-A197-146	DAM-3C3S-1AFN-A191-A197	DAM-3C3S-1AFN-A191-A197-146	DAM-3C3S-1AHN-A191-A197	DAM-3C3S-1AHN-A191-A197-146
DA 3WK3	DAM-3CK3S-1A9N-A191-A197	DAM-3CK3S-1A9N-A191-A197-146	DAM-3CK3S-1AFN-A191-A197	DAM-3CK3S-1AFN-A191-A197-146	DAM-3CK3S-1AHN-A191-A197	DAM-3CK3S-1AHN-A191-A197-146
DB 5W5	DBM-5C5S-1A9N-A191-A197	DBM-5C5S-1A9N-A191-A197-146	DBM-5C5S-1AFN-A191-A197	DBM-5C5S-1AFN-A191-A197-146	DBM-5C5S-1AHN-A191-A197	DBM-5C5S-1AHN-A191-A197-146
DB 9W4	DBM-9C4S-1A9N-A191-A197	DBM-9C4S-1A9N-A191-A197-146	DBM-9C4S-1AFN-A191-A197	DBM-9C4S-1AFN-A191-A197-146	DBM-9C4S-1AHN-A191-A197	DBM-9C4S-1AHN-A191-A197-146
DB 13W3	DBM-13C3S-1A9N-A191-A197	DBM-13C3S-1A9N-A191-A197-146	DBM-13C3S-1AFN-A191-A197	DBM-13C3S-1AFN-A191-A197-146	DBM-13C3S-1AHN-A191-A197	DBM-13C3S-1AHN-A191-A197-146
DB 17W2	DBM-17C2S-1A9N-A191-A197	DBM-17C2S-1A9N-A191-A197-146	DBM-17C2S-1AFN-A191-A197	DBM-17C2S-1AFN-A191-A197-146	DBM-17C2S-1AHN-A191-A197	DBM-17C2S-1AHN-A191-A197-146
DB 21W1	DBM-21C1S-1A9N-A191-A197	DBM-21C1S-1A9N-A191-A197-146	DBM-21C1S-1AFN-A191-A197	DBM-21C1S-1AFN-A191-A197-146	DBM-21C1S-1AHN-A191-A197	DBM-21C1S-1AHN-A191-A197-146
DC 8W8	DCM-8C8S-1A9N-A191-A197	DCM-8C8S-1A9N-A191-A197-146	DCM-8C8S-1AFN-A191-A197	DCM-8C8S-1AFN-A191-A197-146	DCM-8C8S-1AHN-A191-A197	DCM-8C8S-1AHN-A191-A197-146
DC 13W6	DCM-13C6S-1A9N-A191-A197	DCM-13C6S-1A9N-A191-A197-146	DCM-13C6S-1AFN-A191-A197	DCM-13C6S-1AFN-A191-A197-146	DCM-13C6S-1AHN-A191-A197	DCM-13C6S-1AHN-A191-A197-146
DC 17W5	DCM-17C5S-1A9N-A191-A197	DCM-17C5S-1A9N-A191-A197-146	DCM-17C5S-1AFN-A191-A197	DCM-17C5S-1AFN-A191-A197-146	DCM-17C5S-1AHN-A191-A197	DCM-17C5S-1AHN-A191-A197-146
DC 21WA4	DCM-21CA4S-1A9N-A191-A197	DCM-21CA4S-1A9N-A191-A197-146	DCM-21CA4S-1AFN-A191-A197	DCM-21CA4S-1AFN-A191-A197-146	DCM-21CA4S-1AHN-A191-A197	DCM-21CA4S-1AHN-A191-A197-146
DC 25W3	DCM-25C3S-1A9N-A191-A197	DCM-25C3S-1A9N-A191-A197-146	DCM-25C3S-1AFN-A191-A197	DCM-25C3S-1AFN-A191-A197-146	DCM-25C3S-1AHN-A191-A197	DCM-25C3S-1AHN-A191-A197-146
DC 27W2	DCM-27C2S-1A9N-A191-A197	DCM-27C2S-1A9N-A191-A197-146	DCM-27C2S-1AFN-A191-A197	DCM-27C2S-1AFN-A191-A197-146	DCM-27C2S-1AHN-A191-A197	DCM-27C2S-1AHN-A191-A197-146

For performance class 1 replace A191 with A190.  
For performance class 3 delete A191.

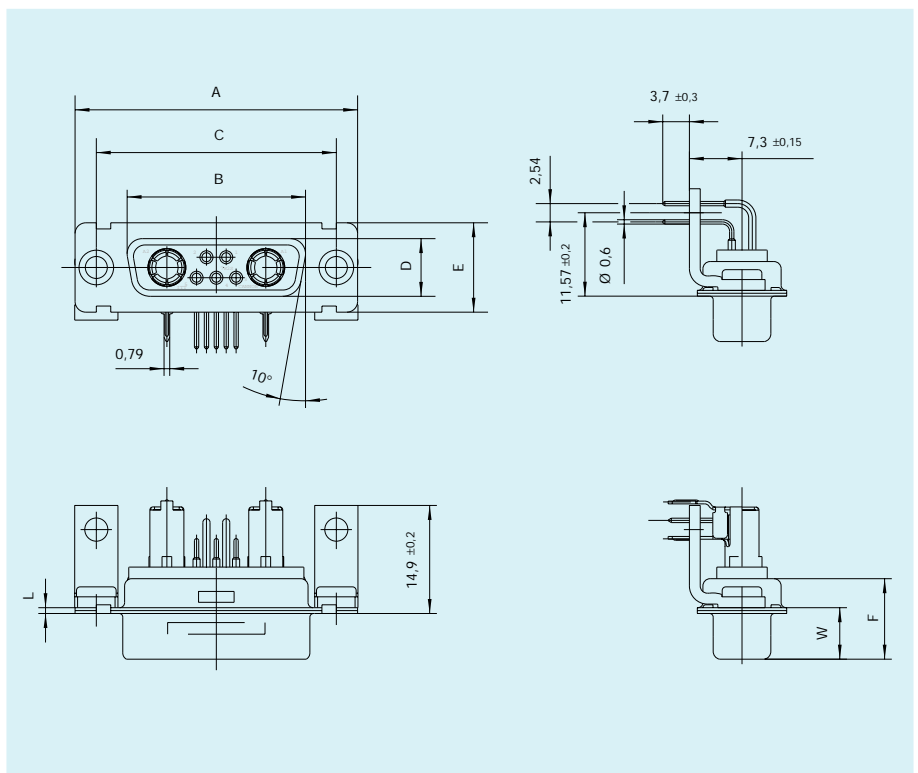
For 50 ohm coaxial replace C with X, Example:  
DCM-13C6P-1AFN-A191-K87-146 becomes  
DCM-13X6P-1AFN-A191-K87-146.

For pushfit 90° pcb hole diameter 3,2 mm replace 146 with 162. For captive nut 4-40UNC replace 1A9N with 1A7N and 1AHN with 1A8N.

Socket



- For contact cavity arrangements, see page 53.
- For pcb hole pattern, see page 57 – 59.
- For mounting methods, see page 86 – 87.
- For panel cut-outs, see our D Subminiature catalogue.
- For contact arrangements in shell size DD please refer to our D Subminiature catalogue.



Dimensions

Shell size	A ±0,38	B ±0,13	C ±0,13	D ±0,13	E ±0,13	F ±0,25	L +0,2	W ±0,4
DE	30,8	16,35	25	7,9	12,55	10,9	0,8	6,95
DA	39,15	24,65	33,3	7,9	12,55	10,9	0,8	6,95
DB	53,05	38,4	47,05	7,9	12,55	10,9	0,8	6,95
DC	69,3	54,85	63,5	7,9	12,55	10,9	0,8	6,95

Coaxial 90° – European footprint, sizes DE – DC, with plastic bracket

75 Ohm part numbers with plastic bracket and captive nut M3

75 Ohm part numbers with plastic bracket with bushing dia. 3,05

75 Ohm part numbers with plastic bracket with post M3

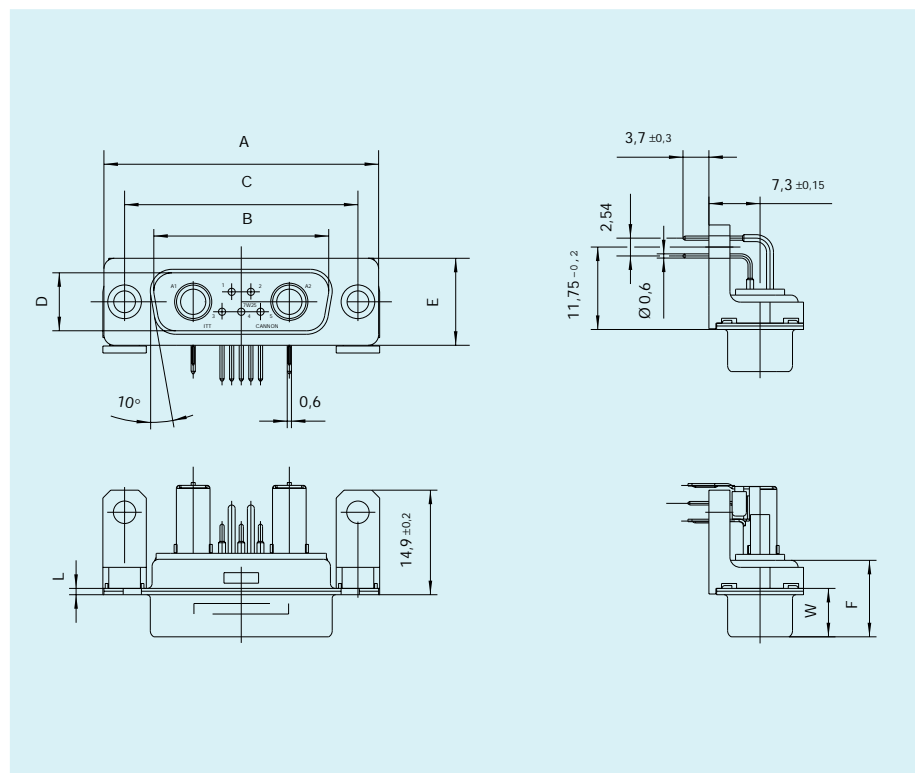
Shell size	Layout	P/N without pushfit	P/N with pushfit	P/N without pushfit	P/N with pushfit	P/N without pushfit	P/N with pushfit
DE	5W1	DEM-5C1P-1ATN-A191-K87	DEM-5C1P-1ATN-A191-K87-146	DEM-5C1P-1A5N-A191-K87	DEM-5C1P-1A5N-A191-K87-146	DEM-5C1P-1APN-A191-K87	DEM-5C1P-1APN-A191-K87-146
DA	7W2	DAM-7C2P-1ATN-A191-K87	DAM-7C2P-1ATN-A191-K87-146	DAM-7C2P-1A5N-A191-K87	DAM-7C2P-1A5N-A191-K87-146	DAM-7C2P-1APN-A191-K87	DAM-7C2P-1APN-A191-K87-146
DA	11W1	DAM-11C1P-1ATN-A191-K87	DAM-11C1P-1ATN-A191-K87-146	DAM-11C1P-1A5N-A191-K87	DAM-11C1P-1A5N-A191-K87-146	DAM-11C1P-1APN-A191-K87	DAM-11C1P-1APN-A191-K87-146
DA	3W3	DAM-3C3P-1ATN-A191-K87	DAM-3C3P-1ATN-A191-K87-146	DAM-3C3P-1A5N-A191-K87	DAM-3C3P-1A5N-A191-K87-146	DAM-3C3P-1APN-A191-K87	DAM-3C3P-1APN-A191-K87-146
DA	3WK3	DAM-3CK3P-1ATN-A191-K87	DAM-3CK3P-1ATN-A191-K87-146	DAM-3CK3P-1A5N-A191-K87	DAM-3CK3P-1A5N-A191-K87-146	DAM-3CK3P-1APN-A191-K87	DAM-3CK3P-1APN-A191-K87-146
DB	5W5	DBM-5C5P-1ATN-A191-K87	DBM-5C5P-1ATN-A191-K87-146	DBM-5C5P-1A5N-A191-K87	DBM-5C5P-1A5N-A191-K87-146	DBM-5C5P-1APN-A191-K87	DBM-5C5P-1APN-A191-K87-146
DB	9W4	DBM-9C4P-1ATN-A191-K87	DBM-9C4P-1ATN-A191-K87-146	DBM-9C4P-1A5N-A191-K87	DBM-9C4P-1A5N-A191-K87-146	DBM-9C4P-1APN-A191-K87	DBM-9C4P-1APN-A191-K87-146
DB	13W3	DBM-13C3P-1ATN-A191-K87	DBM-13C3P-1ATN-A191-K87-146	DBM-13C3P-1A5N-A191-K87	DBM-13C3P-1A5N-A191-K87-146	DBM-13C3P-1APN-A191-K87	DBM-13C3P-1APN-A191-K87-146
DB	17W2	DBM-17C2P-1ATN-A191-K87	DBM-17C2P-1ATN-A191-K87-146	DBM-17C2P-1A5N-A191-K87	DBM-17C2P-1A5N-A191-K87-146	DBM-17C2P-1APN-A191-K87	DBM-17C2P-1APN-A191-K87-146
DB	21W1	DBM-21C1P-1ATN-A191-K87	DBM-21C1P-1ATN-A191-K87-146	DBM-21C1P-1A5N-A191-K87	DBM-21C1P-1A5N-A191-K87-146	DBM-21C1P-1APN-A191-K87	DBM-21C1P-1APN-A191-K87-146
DC	8W8	DCM-8C8P-1ATN-A191-K87	DCM-8C8P-1ATN-A191-K87-146	DCM-8C8P-1A5N-A191-K87	DCM-8C8P-1A5N-A191-K87-146	DCM-8C8P-1APN-A191-K87	DCM-8C8P-1APN-A191-K87-146
DC	13W6	DCM-13C6P-1ATN-A191-K87	DCM-13C6P-1ATN-A191-K87-146	DCM-13C6P-1A5N-A191-K87	DCM-13C6P-1A5N-A191-K87-146	DCM-13C6P-1APN-A191-K87	DCM-13C6P-1APN-A191-K87-146
DC	17W5	DCM-17C5P-1ATN-A191-K87	DCM-17C5P-1ATN-A191-K87-146	DCM-17C5P-1A5N-A191-K87	DCM-17C5P-1A5N-A191-K87-146	DCM-17C5P-1APN-A191-K87	DCM-17C5P-1APN-A191-K87-146
DC	21WA4	DCM-21CA4P-1ATN-A191-K87	DCM-21CA4P-1ATN-A191-K87-146	DCM-21CA4P-1A5N-A191-K87	DCM-21CA4P-1A5N-A191-K87-146	DCM-21CA4P-1APN-A191-K87	DCM-21CA4P-1APN-A191-K87-146
DC	25W3	DCM-25C3P-1ATN-A191-K87	DCM-25C3P-1ATN-A191-K87-146	DCM-25C3P-1A5N-A191-K87	DCM-25C3P-1A5N-A191-K87-146	DCM-25C3P-1APN-A191-K87	DCM-25C3P-1APN-A191-K87-146
DC	27W2	DCM-27C2P-1ATN-A191-K87	DCM-27C2P-1ATN-A191-K87-146	DCM-27C2P-1A5N-A191-K87	DCM-27C2P-1A5N-A191-K87-146	DCM-27C2P-1APN-A191-K87	DCM-27C2P-1APN-A191-K87-146

For performance class 1 replace A191 with A190.  
For performance class 3 delete A191.

For 50 ohm coaxial replace C with X, Example:  
DCM-13C6P-1AFN-A191-K87-146 becomes  
DCM-13X6P-1AFN-A191-K87-146.

For pushfit 90° pcb hole diameter 3,2 mm replace 146 with 162. For captive nut 4-40UNC replace 1A9N with 1A7N and 1AHN with 1A8N.

Pin



- For contact cavity arrangements, see page 52.
- For pcb hole pattern, see page 54 – 56.
- For mounting methods, see page 86 – 87.
- For panel cut-outs, see our D Subminiature catalogue.
- For contact arrangements in shell size DD please refer to our D Subminiature catalogue.

Dimensions

Shell size	A ± 0,38	B ± 0,13	C ± 0,13	D ± 0,13	E ± 0,13	F ± 0,25	L + 0,2	W ± 0,4
DE	30,8	16,9	25	8,35	12,55	10,7	0,8	6,7
DA	39,15	25,25	33,3	8,35	12,55	10,7	0,8	6,7
DB	53,05	38,95	47,05	8,35	12,55	10,8	0,9	6,8
DC	69,3	55,4	63,5	8,35	12,55	10,8	0,9	6,8

Coaxial 90° – European footprint, sizes DE – DC, with plastic bracket

75 Ohm part numbers with plastic bracket and capive nut M3

75 Ohm part numbers with plastic bracket with bushing dia. 3,05

75 Ohm part numbers with plastic bracket with post M3

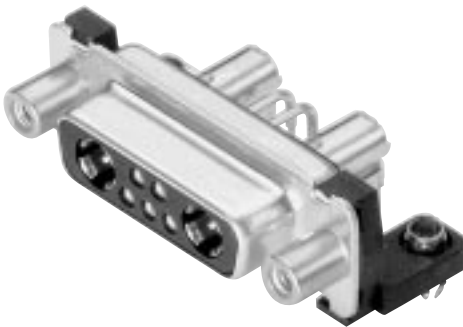
Shell size	Layout	P/N without pushfit	P/N with pushfit	P/N without pushfit	P/N with pushfit	P/N without pushfit	P/N with pushfit
DE	5W1	DEM-5C1S-1ATN-A191-A197	DEM-5C1S-1ATN-A191-A197-146	DEM-5C1S-1A5N-A191-A197	DEM-5C1S-1A5N-A191-A197-146	DEM-5C1S-1APN-A191-A197	DEM-5C1S-1APN-A191-A197-146
DA	7W2	DAM-7C2S-1ATN-A191-A197	DAM-7C2S-1ATN-A191-A197-146	DAM-7C2S-1A5N-A191-A197	DAM-7C2S-1A5N-A191-A197-146	DAM-7C2S-1APN-A191-A197	DAM-7C2S-1APN-A191-A197-146
DA	11W1	DAM-11C1S-1ATN-A191-A197	DAM-11C1S-1ATN-A191-A197-146	DAM-11C1S-1A5N-A191-A197	DAM-11C1S-1A5N-A191-A197-146	DAM-11C1S-1APN-A191-A197	DAM-11C1S-1APN-A191-A197-146
DA	3W3	DAM-3C3S-1ATN-A191-A197	DAM-3C3S-1ATN-A191-A197-146	DAM-3C3S-1A5N-A191-A197	DAM-3C3S-1A5N-A191-A197-146	DAM-3C3S-1APN-A191-A197	DAM-3C3S-1APN-A191-A197-146
DA	3WK3	DAM-3CK3S-1ATN-A191-A197	DAM-3CK3S-1ATN-A191-A197-146	DAM-3CK3S-1A5N-A191-A197	DAM-3CK3S-1A5N-A191-A197-146	DAM-3CK3S-1APN-A191-A197	DAM-3CK3S-1APN-A191-A197-146
DB	5W5	DBM-5C5S-1ATN-A191-A197	DBM-5C5S-1ATN-A191-A197-146	DBM-5C5S-1A5N-A191-A197	DBM-5C5S-1A5N-A191-A197-146	DBM-5C5S-1APN-A191-A197	DBM-5C5S-1APN-A191-A197-146
DB	9W4	DBM-9C4S-1ATN-A191-A197	DBM-9C4S-1ATN-A191-A197-146	DBM-9C4S-1A5N-A191-A197	DBM-9C4S-1A5N-A191-A197-146	DBM-9C4S-1APN-A191-A197	DBM-9C4S-1APN-A191-A197-146
DB	13W3	DBM-13C3S-1ATN-A191-A197	DBM-13C3S-1ATN-A191-A197-146	DBM-13C3S-1A5N-A191-A197	DBM-13C3S-1A5N-A191-A197-146	DBM-13C3S-1APN-A191-A197	DBM-13C3S-1APN-A191-A197-146
DB	17W2	DBM-17C2S-1ATN-A191-A197	DBM-17C2S-1ATN-A191-A197-146	DBM-17C2S-1A5N-A191-A197	DBM-17C2S-1A5N-A191-A197-146	DBM-17C2S-1APN-A191-A197	DBM-17C2S-1APN-A191-A197-146
DB	21W1	DBM-21C1S-1ATN-A191-A197	DBM-21C1S-1ATN-A191-A197-146	DBM-21C1S-1A5N-A191-A197	DBM-21C1S-1A5N-A191-A197-146	DBM-21C1S-1APN-A191-A197	DBM-21C1S-1APN-A191-A197-146
DC	8W8	DCM-8C8S-1ATN-A191-A197	DCM-8C8S-1ATN-A191-A197-146	DCM-8C8S-1A5N-A191-A197	DCM-8C8S-1A5N-A191-A197-146	DCM-8C8S-1APN-A191-A197	DCM-8C8S-1APN-A191-A197-146
DC	13W6	DCM-13C6S-1ATN-A191-A197	DCM-13C6S-1ATN-A191-A197-146	DCM-13C6S-1A5N-A191-A197	DCM-13C6S-1A5N-A191-A197-146	DCM-13C6S-1APN-A191-A197	DCM-13C6S-1APN-A191-A197-146
DC	17W5	DCM-17C5S-1ATN-A191-A197	DCM-17C5S-1ATN-A191-A197-146	DCM-17C5S-1A5N-A191-A197	DCM-17C5S-1A5N-A191-A197-146	DCM-17C5S-1APN-A191-A197	DCM-17C5S-1APN-A191-A197-146
DC	21WA4	DCM-21CA4S-1ATN-A191-A197	DCM-21CA4S-1ATN-A191-A197-146	DCM-21CA4S-1A5N-A191-A197	DCM-21CA4S-1A5N-A191-A197-146	DCM-21CA4S-1APN-A191-A197	DCM-21CA4S-1APN-A191-A197-146
DC	25W3	DCM-25C3S-1ATN-A191-A197	DCM-25C3S-1ATN-A191-A197-146	DCM-25C3S-1A5N-A191-A197	DCM-25C3S-1A5N-A191-A197-146	DCM-25C3S-1APN-A191-A197	DCM-25C3S-1APN-A191-A197-146
DC	27W2	DCM-27C2S-1ATN-A191-A197	DCM-27C2S-1ATN-A191-A197-146	DCM-27C2S-1A5N-A191-A197	DCM-27C2S-1A5N-A191-A197-146	DCM-27C2S-1APN-A191-A197	DCM-27C2S-1APN-A191-A197-146

For performance class 1 replace A191 with A190.  
For performance class 3 delete A191.

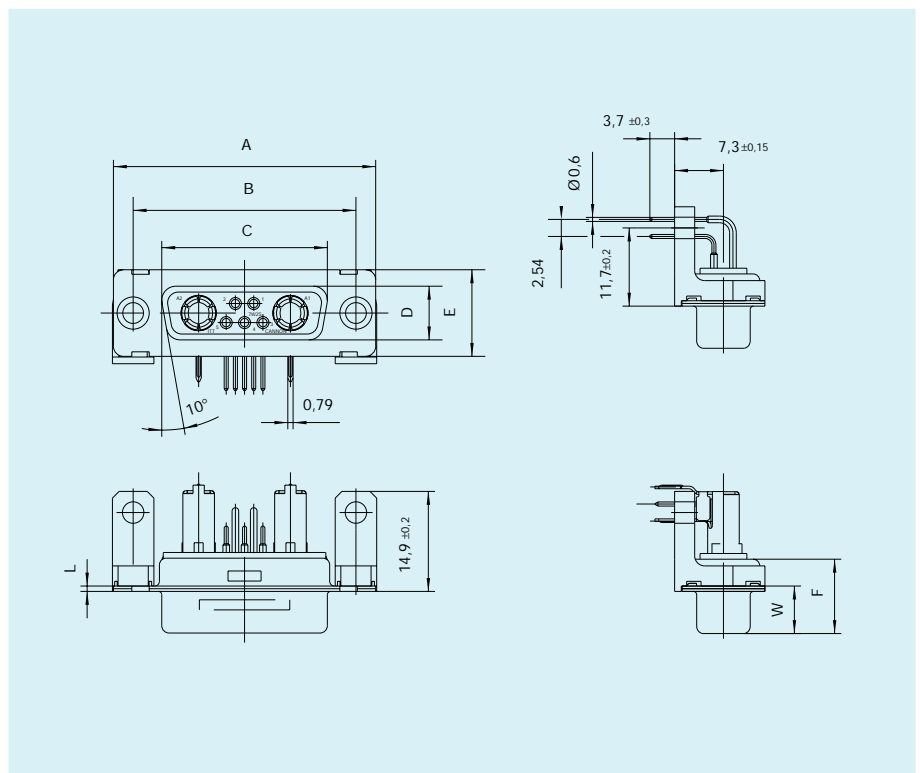
For 50 ohm coaxial replace C with X, Example:  
DCM-13C6P-1AFN-A191-K87-146 becomes  
DCM-13X6P-1AFN-A191-K87-146.

For pushfit 90° pcb hole diameter 3,2 mm replace 146 with 162. For captive nut 4-40UNC replace 1A9N with 1A7N and 1AHN with 1A8N.

Socket



- For contact cavity arrangements, see page 53.
- For pcb hole pattern, see page 57 – 59.
- For mounting methods, see page 86 – 87.
- For panel cut-outs, see our D Subminiature catalogue.
- For contact arrangements in shell size DD please refer to our D Subminiature catalogue.



Dimensions

Shell size	A	B	C	D	E	F	L	W
	±0,38	±0,13	±0,13	±0,13	±0,13	±0,25	+0,2	±0,4
DE	30,8	16,35	25	7,9	12,55	10,9	0,8	6,95
DA	39,15	24,65	33,3	7,9	12,55	10,9	0,8	6,95
DB	53,05	38,4	47,05	7,9	12,55	10,9	0,8	6,95
DC	69,3	54,85	63,5	7,9	12,55	10,9	0,8	6,95



Coaxial 90° – European footprint, sizes DE – DC, with plastic bracket and grounding bracket

75 Ohm part numbers with plastic bracket with grounding bracket and captive nut M3

75 Ohm part numbers with plastic bracket with grounding bracket with bushing dia. 3,05

75 Ohm part numbers with plastic bracket with grounding bracket with post M3

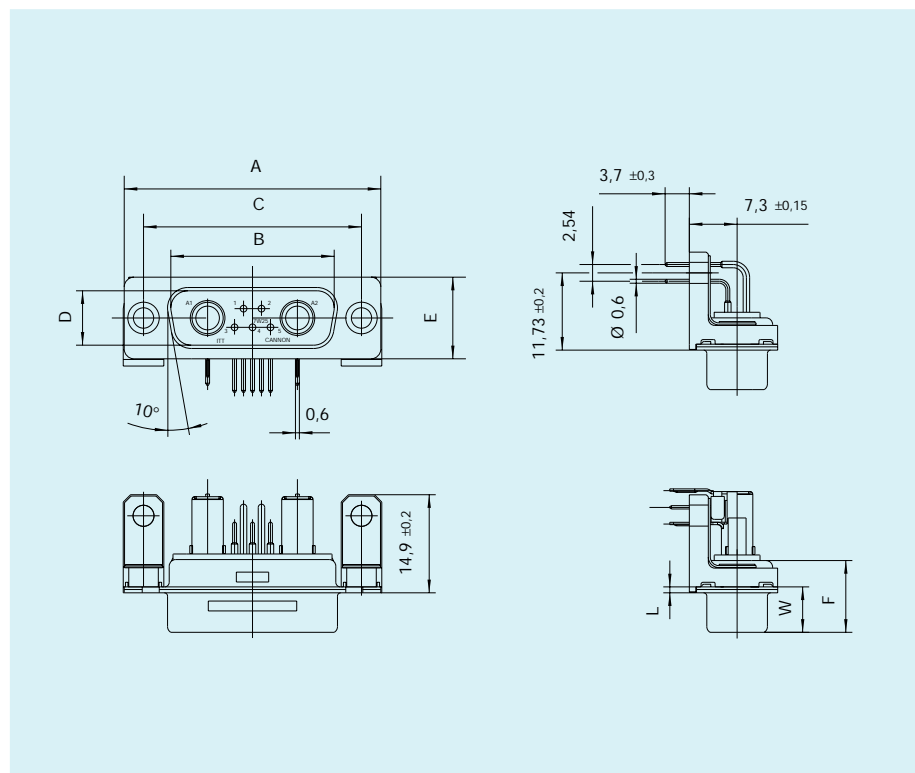
Shell size	Layout	P/N without pushfit	P/N with pushfit	P/N without pushfit	P/N with pushfit	P/N without pushfit	P/N with pushfit
DE	5W1	DEM-5C1P-1AVN-A191-K87	DEM-5C1P-1AVN-A191-K87-146	DEM-5C1P-1ADN-A191-K87	DEM-5C1P-1ADN-A191-K87-146	DEM-5C1P-1AGN-A191-K87	DEM-5C1P-1AGN-A191-K87-146
DA	7W2	DAM-7C2P-1AVN-A191-K87	DAM-7C2P-1AVN-A191-K87-146	DAM-7C2P-1ADN-A191-K87	DAM-7C2P-1ADN-A191-K87-146	DAM-7C2P-1AGN-A191-K87	DAM-7C2P-1AGN-A191-K87-146
DA	11W1	DAM-11C1P-1AVN-A191-K87	DAM-11C1P-1AVN-A191-K87-146	DAM-11C1P-1ADN-A191-K87	DAM-11C1P-1ADN-A191-K87-146	DAM-11C1P-1AGN-A191-K87	DAM-11C1P-1AGN-A191-K87-146
DA	3W3	DAM-3C3P-1AVN-A191-K87	DAM-3C3P-1AVN-A191-K87-146	DAM-3C3P-1ADN-A191-K87	DAM-3C3P-1ADN-A191-K87-146	DAM-3C3P-1AGN-A191-K87	DAM-3C3P-1AGN-A191-K87-146
DA	3WK3	DAM-3CK3P-1AVN-A191-K87	DAM-3CK3P-1AVN-A191-K87-146	DAM-3CK3P-1ADN-A191-K87	DAM-3CK3P-1ADN-A191-K87-146	DAM-3CK3P-1AGN-A191-K87	DAM-3CK3P-1AGN-A191-K87-146
DB	5W5	DBM-5C5P-1AVN-A191-K87	DBM-5C5P-1AVN-A191-K87-146	DBM-5C5P-1ADN-A191-K87	DBM-5C5P-1ADN-A191-K87-146	DBM-5C5P-1AGN-A191-K87	DBM-5C5P-1AGN-A191-K87-146
DB	9W4	DBM-9C4P-1AVN-A191-K87	DBM-9C4P-1AVN-A191-K87-146	DBM-9C4P-1ADN-A191-K87	DBM-9C4P-1ADN-A191-K87-146	DBM-9C4P-1AGN-A191-K87	DBM-9C4P-1AGN-A191-K87-146
DB	13W3	DBM-13C3P-1AVN-A191-K87	DBM-13C3P-1AVN-A191-K87-146	DBM-13C3P-1ADN-A191-K87	DBM-13C3P-1ADN-A191-K87-146	DBM-13C3P-1AGN-A191-K87	DBM-13C3P-1AGN-A191-K87-146
DB	17W2	DBM-17C2P-1AVN-A191-K87	DBM-17C2P-1AVN-A191-K87-146	DBM-17C2P-1ADN-A191-K87	DBM-17C2P-1ADN-A191-K87-146	DBM-17C2P-1AGN-A191-K87	DBM-17C2P-1AGN-A191-K87-146
DB	21W1	DBM-21C1P-1AVN-A191-K87	DBM-21C1P-1AVN-A191-K87-146	DBM-21C1P-1ADN-A191-K87	DBM-21C1P-1ADN-A191-K87-146	DBM-21C1P-1AGN-A191-K87	DBM-21C1P-1AGN-A191-K87-146
DC	8W8	DCM-8C8P-1AVN-A191-K87	DCM-8C8P-1AVN-A191-K87-146	DCM-8C8P-1ADN-A191-K87	DCM-8C8P-1ADN-A191-K87-146	DCM-8C8P-1AGN-A191-K87	DCM-8C8P-1AGN-A191-K87-146
DC	13W6	DCM-13C6P-1AVN-A191-K87	DCM-13C6P-1AVN-A191-K87-146	DCM-13C6P-1ADN-A191-K87	DCM-13C6P-1ADN-A191-K87-146	DCM-13C6P-1AGN-A191-K87	DCM-13C6P-1AGN-A191-K87-146
DC	17W5	DCM-17C5P-1AVN-A191-K87	DCM-17C5P-1AVN-A191-K87-146	DCM-17C5P-1ADN-A191-K87	DCM-17C5P-1ADN-A191-K87-146	DCM-17C5P-1AGN-A191-K87	DCM-17C5P-1AGN-A191-K87-146
DC	21WA4	DCM-21CA4P-1AVN-A191-K87	DCM-21CA4P-1AVN-A191-K87-146	DCM-21CA4P-1ADN-A191-K87	DCM-21CA4P-1ADN-A191-K87-146	DCM-21CA4P-1AGN-A191-K87	DCM-21CA4P-1AGN-A191-K87-146
DC	25W3	DCM-25C3P-1AVN-A191-K87	DCM-25C3P-1AVN-A191-K87-146	DCM-25C3P-1ADN-A191-K87	DCM-25C3P-1ADN-A191-K87-146	DCM-25C3P-1AGN-A191-K87	DCM-25C3P-1AGN-A191-K87-146
DC	27W2	DCM-27C2P-1AVN-A191-K87	DCM-27C2P-1AVN-A191-K87-146	DCM-27C2P-1ADN-A191-K87	DCM-27C2P-1ADN-A191-K87-146	DCM-27C2P-1AGN-A191-K87	DCM-27C2P-1AGN-A191-K87-146

For performance class 1 replace A191 with A190.  
For performance class 3 delete A191.

For 50 ohm coaxial replace C with X, Example:  
DCM-13C6P-1AFN-A191-K87-146 becomes  
DCM-13X6P-1AFN-A191-K87-146.

For pushfit 90° pcb hole diameter 3,2 mm replace 146 with 162. For captive nut 4-40UNC replace 1A9N with 1A7N and 1AHN with 1A8N.

Pin



- For contact cavity arrangements, see page 52.
- For pcb hole pattern, see page 54 – 56.
- For mounting methods, see page 86 – 87.
- For panel cut-outs, see our D Subminiature catalogue.
- For contact arrangements in shell size DD please refer to our D Subminiature catalogue.

Dimensions

Shell size	A ±0,38	B ±0,13	C ±0,13	D ±0,13	E ±0,13	F ±0,25	L +0,2	W ±0,4
DE	30,8	16,9	25	8,35	12,55	10,7	0,8	6,7
DA	39,15	25,25	33,3	8,35	12,55	10,7	0,8	6,7
DB	53,05	38,95	47,05	8,35	12,55	10,8	0,9	6,8
DC	69,3	55,4	63,5	8,35	12,55	10,8	0,9	6,8

Coaxial 90° – European footprint, sizes DE – DC, with plastic bracket and grounding bracket

75 Ohm part numbers with plastic bracket with grounding bracket and captive nut M3

75 Ohm part numbers with plastic bracket with grounding bracket with bushing dia. 3,05

75 Ohm part numbers with plastic bracket with grounding bracket with post M3

Shell Layout size		P/N without pushfit	P/N with pushfit	P/N without pushfit	P/N with pushfit	P/N without pushfit	P/N with pushfit
DE	5W1	DEM-5C1S-1AVN-A191-A197	DEM-5C1S-1AVN-A191-A197-146	DEM-5C1S-1ADN-A191-A197	DEM-5C1S-1ADN-A191-A197-146	DEM-5C1S-1AGN-A191-A197	DEM-5C1S-1AGN-A191-A197-146
DA	7W2	DAM-7C2S-1AVN-A191-A197	DAM-7C2S-1AVN-A191-A197-146	DAM-7C2S-1ADN-A191-A197	DAM-7C2S-1ADN-A191-A197-146	DAM-7C2S-1AGN-A191-A197	DAM-7C2S-1AGN-A191-A197-146
DA	11W1	DAM-11C1S-1AVN-A191-A197	DAM-11C1S-1AVN-A191-A197-146	DAM-11C1S-1ADN-A191-A197	DAM-11C1S-1ADN-A191-A197-146	DAM-11C1S-1AGN-A191-A197	DAM-11C1S-1AGN-A191-A197-146
DA	3W3	DAM-3C3S-1AVN-A191-A197	DAM-3C3S-1AVN-A191-A197-146	DAM-3C3S-1ADN-A191-A197	DAM-3C3S-1ADN-A191-A197-146	DAM-3C3S-1AGN-A191-A197	DAM-3C3S-1AGN-A191-A197-146
DA	3WK3	DAM-3CK3S-1AVN-A191-A197	DAM-3CK3S-1AVN-A191-A197-146	DAM-3CK3S-1ADN-A191-A197	DAM-3CK3S-1ADN-A191-A197-146	DAM-3CK3S-1AGN-A191-A197	DAM-3CK3S-1AGN-A191-A197-146
DB	5W5	DBM-5C5S-1AVN-A191-A197	DBM-5C5S-1AVN-A191-A197-146	DBM-5C5S-1ADN-A191-A197	DBM-5C5S-1ADN-A191-A197-146	DBM-5C5S-1AGN-A191-A197	DBM-5C5S-1AGN-A191-A197-146
DB	9W4	DBM-9C4S-1AVN-A191-A197	DBM-9C4S-1AVN-A191-A197-146	DBM-9C4S-1ADN-A191-A197	DBM-9C4S-1ADN-A191-A197-146	DBM-9C4S-1AGN-A191-A197	DBM-9C4S-1AGN-A191-A197-146
DB	13W3	DBM-13C3S-1AVN-A191-A197	DBM-13C3S-1AVN-A191-A197-146	DBM-13C3S-1ADN-A191-A197	DBM-13C3S-1ADN-A191-A197-146	DBM-13C3S-1AGN-A191-A197	DBM-13C3S-1AGN-A191-A197-146
DB	17W2	DBM-17C2S-1AVN-A191-A197	DBM-17C2S-1AVN-A191-A197-146	DBM-17C2S-1ADN-A191-A197	DBM-17C2S-1ADN-A191-A197-146	DBM-17C2S-1AGN-A191-A197	DBM-17C2S-1AGN-A191-A197-146
DB	21W1	DBM-21C1S-1AVN-A191-A197	DBM-21C1S-1AVN-A191-A197-146	DBM-21C1S-1ADN-A191-A197	DBM-21C1S-1ADN-A191-A197-146	DBM-21C1S-1AGN-A191-A197	DBM-21C1S-1AGN-A191-A197-146
DC	8W8	DCM-8C8S-1AVN-A191-A197	DCM-8C8S-1AVN-A191-A197-146	DCM-8C8S-1ADN-A191-A197	DCM-8C8S-1ADN-A191-A197-146	DCM-8C8S-1AGN-A191-A197	DCM-8C8S-1AGN-A191-A197-146
DC	13W6	DCM-13C6S-1AVN-A191-A197	DCM-13C6S-1AVN-A191-A197-146	DCM-13C6S-1ADN-A191-A197	DCM-13C6S-1ADN-A191-A197-146	DCM-13C6S-1AGN-A191-A197	DCM-13C6S-1AGN-A191-A197-146
DC	17W5	DCM-17C5S-1AVN-A191-A197	DCM-17C5S-1AVN-A191-A197-146	DCM-17C5S-1ADN-A191-A197	DCM-17C5S-1ADN-A191-A197-146	DCM-17C5S-1AGN-A191-A197	DCM-17C5S-1AGN-A191-A197-146
DC	21WA4	DCM-21CA4S-1AVN-A191-A197	DCM-21CA4S-1AVN-A191-A197-146	DCM-21CA4S-1ADN-A191-A197	DCM-21CA4S-1ADN-A191-A197-146	DCM-21CA4S-1AGN-A191-A197	DCM-21CA4S-1AGN-A191-A197-146
DC	25W3	DCM-25C3S-1AVN-A191-A197	DCM-25C3S-1AVN-A191-A197-146	DCM-25C3S-1ADN-A191-A197	DCM-25C3S-1ADN-A191-A197-146	DCM-25C3S-1AGN-A191-A197	DCM-25C3S-1AGN-A191-A197-146
DC	27W2	DCM-27C2S-1AVN-A191-A197	DCM-27C2S-1AVN-A191-A197-146	DCM-27C2S-1ADN-A191-A197	DCM-27C2S-1ADN-A191-A197-146	DCM-27C2S-1AGN-A191-A197	DCM-27C2S-1AGN-A191-A197-146

For performance class 1 replace A191 with A190.  
For performance class 3 delete A191.

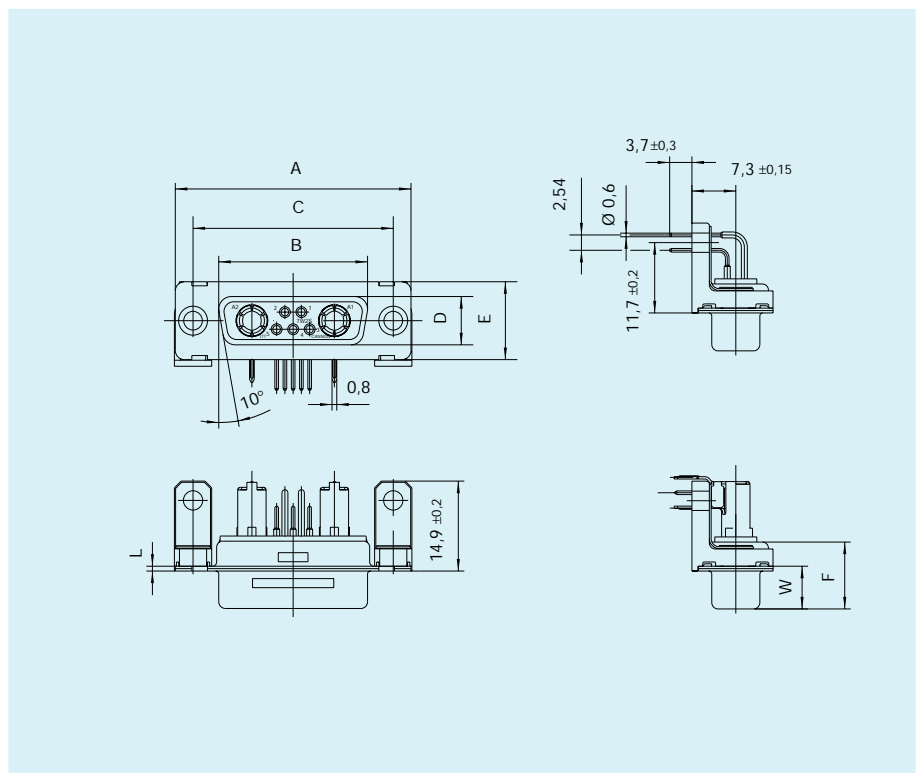
For 50 ohm coaxial replace C with X, Example:  
DCM-13C6P-1AFN-A191-K87-146 becomes  
DCM-13X6P-1AFN-A191-K87-146.

For pushfit 90° pcb hole diameter 3,2 mm replace 146 with 162. For captive nut 4-40UNC replace 1A9N with 1A7N and 1AHN with 1A8N.

Socket



- For contact cavity arrangements, see page 53.
- For pcb hole pattern, see page 57 – 59.
- For mounting methods, see page 86 – 87.
- For panel cut-outs, see our D Subminiature catalogue.
- For contact arrangements in shell size DD please refer to our D Subminiature catalogue.



Dimensions

Shell size	A ± 0,38	B ± 0,13	C ± 0,13	D ± 0,13	E ± 0,13	F ± 0,25	L + 0,2	W ± 0,4
DE	30,8	16,35	25	7,9	12,55	10,9	0,8	6,95
DA	39,15	24,65	33,3	7,9	12,55	10,9	0,8	6,95
DB	53,05	38,4	47,05	7,9	12,55	10,9	0,8	6,95
DC	69,3	54,85	63,5	7,9	12,55	10,9	0,8	6,95

Coaxial straight – European solder pins, sizes DE – DC

75 Ohm part numbers with straight contacts

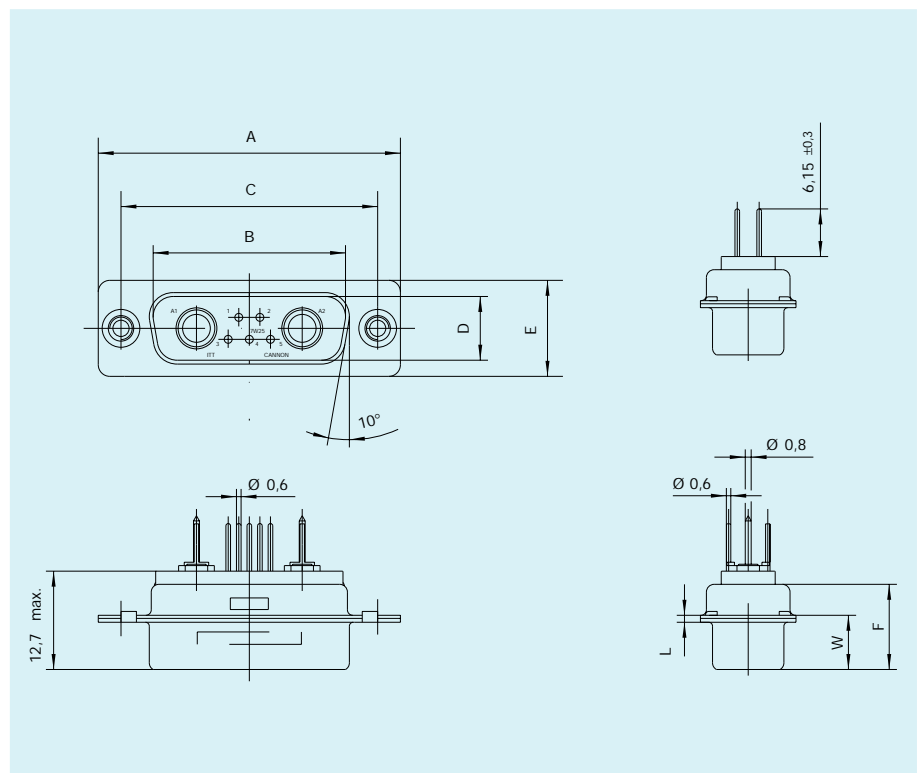
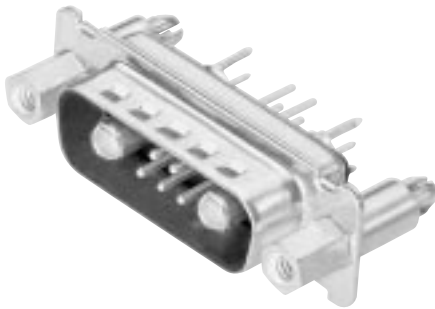
Shell size	Layout	with standoff M3	with standoff M3 with pushfit	standoff, M3 post and pushfit	with M3 clinch nut	with through hole 3,05 mm
DE	5W1	DEMT-5C1P-OL4-A191-K87	DEMQ-5C1P-OL4-A191-K87	DEMU-5C1P-OL4-A191-K87	DEMX-5C1P-OL4-A191-K87	DEM-5C1P-OL4-A191-K87
DA	7W2	DAMT-7C2P-OL4-A191-K87	DAMQ-7C2P-OL4-A191-K87	DAMU-7C2P-OL4-A191-K87	DAMX-7C2P-OL4-A191-K87	DAM-7C2P-OL4-A191-K87
DA	11W1	DAMT-11C1P-OL4-A191-K87	DAMQ-11C1P-OL4-A191-K87	DAMU-11C1P-OL4-A191-K87	DAMX-11C1P-OL4-A191-K87	DAM-11C1P-OL4-A191-K87
DA	3W3	DAMT-3C3P-OL4-A191-K87	DAMQ-3C3P-OL4-A191-K87	DAMU-3C3P-OL4-A191-K87	DAMX-3C3P-OL4-A191-K87	DAM-3C3P-OL4-A191-K87
DA	3WK3	DAMT-3CK3P-OL4-A191-K87	DAMQ-3CK3P-OL4-A191-K87	DAMU-3CK3P-OL4-A191-K87	DAMX-3CK3P-OL4-A191-K87	DAM-3CK3P-OL4-A191-K87
DB	5W5	DBMT-5C5P-OL4-A191-K87	DBMQ-5C5P-OL4-A191-K87	DBMU-5C5P-OL4-A191-K87	DBMX-5C5P-OL4-A191-K87	DBM-5C5P-OL4-A191-K87
DB	9W4	DBMT-9C4P-OL4-A191-K87	DBMQ-9C4P-OL4-A191-K87	DBMU-9C4P-OL4-A191-K87	DBMX-9C4P-OL4-A191-K87	DBM-9C4P-OL4-A191-K87
DB	13W3	DBMT-13C3P-OL4-A191-K87	DBMQ-13C3P-OL4-A191-K87	DBMU-13C3P-OL4-A191-K87	DBMX-13C3P-OL4-A191-K87	DBM-13C3P-OL4-A191-K87
DB	17W2	DBMT-17C2P-OL4-A191-K87	DBMQ-17C2P-OL4-A191-K87	DBMU-17C2P-OL4-A191-K87	DBMX-17C2P-OL4-A191-K87	DBM-17C2P-OL4-A191-K87
DB	21W1	DBMT-21C1P-OL4-A191-K87	DBMQ-21C1P-OL4-A191-K87	DBMU-21C1P-OL4-A191-K87	DBMX-21C1P-OL4-A191-K87	DBM-21C1P-OL4-A191-K87
DC	8W8	DCMT-8C8P-OL4-A191-K87	DCMQ-8C8P-OL4-A191-K87	DCMU-8C8P-OL4-A191-K87	DCMX-8C8P-OL4-A191-K87	DCM-8C8P-OL4-A191-K87
DC	13W6	DCMT-13C6P-OL4-A191-K87	DCMQ-13C6P-OL4-A191-K87	DCMU-13C6P-OL4-A191-K87	DCMX-13C6P-OL4-A191-K87	DCM-13C6P-OL4-A191-K87
DC	17W5	DCMT-17C5P-OL4-A191-K87	DCMQ-17C5P-OL4-A191-K87	DCMU-17C5P-OL4-A191-K87	DCMX-17C5P-OL4-A191-K87	DCM-17C5P-OL4-A191-K87
DC	21WA4	DCMT-21CA4P-OL4-A191-K87	DCMQ-21CA4P-OL4-A191-K87	DCMU-21CA4P-OL4-A191-K87	DCMX-21CA4P-OL4-A191-K87	DCM-21CA4P-OL4-A191-K87
DC	25W3	DCMT-25C3P-OL4-A191-K87	DCMQ-25C3P-OL4-A191-K87	DCMU-25C3P-OL4-A191-K87	DCMX-25C3P-OL4-A191-K87	DCM-25C3P-OL4-A191-K87
DC	27W2	DCMT-27C2P-OL4-A191-K87	DCMQ-27C2P-OL4-A191-K87	DCMU-27C2P-OL4-A191-K87	DCMX-27C2P-OL4-A191-K87	DCM-27C2P-OL4-A191-K87

For performance class 1 replace A191 with A190.  
For performance class 3 delete A191.

For 50 ohm coaxial replace C with X, Example:  
DCM-13C6P-1AFN-A191-K87-146 becomes  
DCM-13X6P-1AFN-A191-K87-146.

For pushfit 90° pcb hole diameter 3,2 mm replace 146  
with 162. For captive nut 4-40UNC replace 1A9N with  
1A7N and 1AHN with 1A8N.

Pin



- For contact cavity arrangements, see page 52.
- For pcb hole pattern, see page 60 – 63.
- For mounting methods, see page 86 – 87.
- For panel cut-outs, see our D Subminiature catalogue.

Dimensions

Shell size	A ± 0,38	B ± 0,13	C ± 0,13	D ± 0,13	E ± 0,13	F ± 0,25	L + 0,2	W ± 0,4
DE	30,8	16,9	25	8,35	12,55	10,7	0,8	6,7
DA	39,15	25,25	33,3	8,35	12,55	10,7	0,8	6,7
DB	53,05	38,95	47,05	8,35	12,55	10,8	0,9	6,8
DC	69,3	55,4	63,5	8,35	12,55	10,8	0,9	6,8

Coaxial straight – European solder pins, sizes DE – DC

75 Ohm part numbers with straight contacts

Shell size	Layout	with standoff M3	with standoff M3 with pushfit	standoff, M3 post and pushfit	with M3 clinch nut	with through hole 3,05 mm
DE	5W1	DEMT-5C1S-OL4-A191-A197	DEMQ-5C1S-OL4-A191-A197	DEMU-5C1S-OL4-A191-A197	DEMX-5C1S-OL4-A191-A197	DEM-5C1S-OL4-A191-A197
DA	7W2	DAMT-7C2S-OL4-A191-A197	DAMQ-7C2S-OL4-A191-A197	DAMU-7C2S-OL4-A191-A197	DAMX-7C2S-OL4-A191-A197	DAM-7C2S-OL4-A191-A197
DA	11W1	DAMT-11C1S-OL4-A191-A197	DAMQ-11C1S-OL4-A191-A197	DAMU-11C1S-OL4-A191-A197	DAMX-11C1S-OL4-A191-A197	DAM-11C1S-OL4-A191-A197
DA	3W3	DAMT-3C3S-OL4-A191-A197	DAMQ-3C3S-OL4-A191-A197	DAMU-3C3S-OL4-A191-A197	DAMX-3C3S-OL4-A191-A197	DAM-3C3S-OL4-A191-A197
DA	3WK3	DAMT-3CK3S-OL4-A191-A197	DAMQ-3CK3S-OL4-A191-A197	DAMU-3CK3S-OL4-A191-A197	DAMX-3CK3S-OL4-A191-A197	DAM-3CK3S-OL4-A191-A197
DB	5W5	DBMT-5C5S-OL4-A191-A197	DBMQ-5C5S-OL4-A191-A197	DBMU-5C5S-OL4-A191-A197	DBMX-5C5S-OL4-A191-A197	DBM-5C5S-OL4-A191-A197
DB	9W4	DBMT-9C4S-OL4-A191-A197	DBMQ-9C4S-OL4-A191-A197	DBMU-9C4S-OL4-A191-A197	DBMX-9C4S-OL4-A191-A197	DBM-9C4S-OL4-A191-A197
DB	13W3	DBMT-13C3S-OL4-A191-A197	DBMQ-13C3S-OL4-A191-A197	DBMU-13C3S-OL4-A191-A197	DBMX-13C3S-OL4-A191-A197	DBM-13C3S-OL4-A191-A197
DB	17W2	DBMT-17C2S-OL4-A191-A197	DBMQ-17C2S-OL4-A191-A197	DBMU-17C2S-OL4-A191-A197	DBMX-17C2S-OL4-A191-A197	DBM-17C2S-OL4-A191-A197
DB	21W1	DBMT-21C1S-OL4-A191-A197	DBMQ-21C1S-OL4-A191-A197	DBMU-21C1S-OL4-A191-A197	DBMX-21C1S-OL4-A191-A197	DBM-21C1S-OL4-A191-A197
DC	8W8	DCMT-8C8S-OL4-A191-A197	DCMQ-8C8S-OL4-A191-A197	DCMU-8C8S-OL4-A191-A197	DCMX-8C8S-OL4-A191-A197	DCM-8C8S-OL4-A191-A197
DC	13W6	DCMT-13C6S-OL4-A191-A197	DCMQ-13C6S-OL4-A191-A197	DCMU-13C6S-OL4-A191-A197	DCMX-13C6S-OL4-A191-A197	DCM-13C6S-OL4-A191-A197
DC	17W5	DCMT-17C5S-OL4-A191-A197	DCMQ-17C5S-OL4-A191-A197	DCMU-17C5S-OL4-A191-A197	DCMX-17C5S-OL4-A191-A197	DCM-17C5S-OL4-A191-A197
DC	21WA4	DCMT-21CA4S-OL4-A191-A197	DCMQ-21CA4S-OL4-A191-A197	DCMU-21CA4S-OL4-A191-A197	DCMX-21CA4S-OL4-A191-A197	DCM-21CA4S-OL4-A191-A197
DC	25W3	DCMT-25C3S-OL4-A191-A197	DCMQ-25C3S-OL4-A191-A197	DCMU-25C3S-OL4-A191-A197	DCMX-25C3S-OL4-A191-A197	DCM-25C3S-OL4-A191-A197
DC	27W2	DCMT-27C2S-OL4-A191-A197	DCMQ-27C2S-OL4-A191-A197	DCMU-27C2S-OL4-A191-A197	DCMX-27C2S-OL4-A191-A197	DCM-27C2S-OL4-A191-A197

For performance class 1 replace A191 with A190.  
For performance class 3 delete A191.

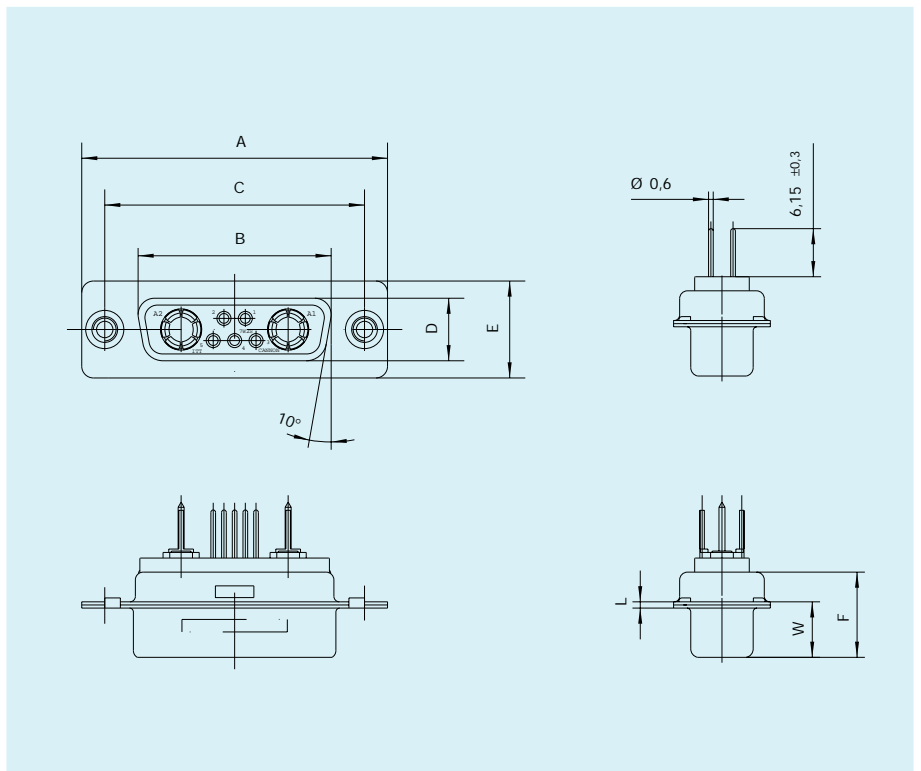
For 50 ohm coaxial replace C with X, Example:  
DCM-13C6P-1AFN-A191-K87-146 becomes  
DCM-13X6P-1AFN-A191-K87-146.

For pushfit 90° pcb hole diameter 3,2 mm replace 146  
with 162. For captive nut 4-40UNC replace 1A9N with  
1A7N and 1AHN with 1A8N.

Socket



- For contact cavity arrangements, see page 53.
- For pcb hole pattern, see page 64 – 67.
- For mounting methods, see page 86 – 87.
- For panel cut-outs, see our D Subminiature catalogue.



Dimensions

Shell size	A	B	C	D	E	F	L	W
	± 0,38	± 0,13	± 0,13	± 0,13	± 0,13	± 0,25	+ 0,2	± 0,4
DE	30,8	16,35	25	7,9	12,55	10,9	0,8	6,95
DA	39,15	24,65	33,3	7,9	12,55	10,9	0,8	6,95
DB	53,05	38,4	47,05	7,9	12,55	10,9	0,8	6,95
DC	69,3	54,85	63,5	7,9	12,55	10,9	0,8	6,95

Coaxial straight – European solder pins, size DD

75 Ohm part numbers with straight contacts

Shell size	Layout	with standoff M3	with standoff M3 with pushfit	standoff, M3 post and pushfit	with M3 clinch nut	with through hole 3,05 mm
DD	24W7	DDMT-24C7P-OL4-A191-K87	DDMQ-24C7P-OL4-A191-K87	DDMU-24C7P-OL4-A191-K87	DDMX-24C7P-OL4-A191-K87	DDM-24C7P-OL4-A191-K87
DD	36W4	DDMT-36C4P-OL4-A191-K87	DDMQ-36C4P-OL4-A191-K87	DDMU-36C4P-OL4-A191-K87	DDMX-36C4P-OL4-A191-K87	DDM-36C4P-OL4-A191-K87
DD	43W2	DDMT-43C2P-OL4-A191-K87	DDMQ-43C2P-OL4-A191-K87	DDMU-43C2P-OL4-A191-K87	DDMX-43C2P-OL4-A191-K87	DDM-43C2P-OL4-A191-K87
DD	47W1	DDMT-47C1P-OL4-A191-K87	DDMQ-47C1P-OL4-A191-K87	DDMU-47C1P-OL4-A191-K87	DDMX-47C1P-OL4-A191-K87	DDM-47C1P-OL4-A191-K87

For performance class 1 replace A191 with A190.  
 For performance class 3 delete A191.  
 For 50 ohm coaxial replace C with X.

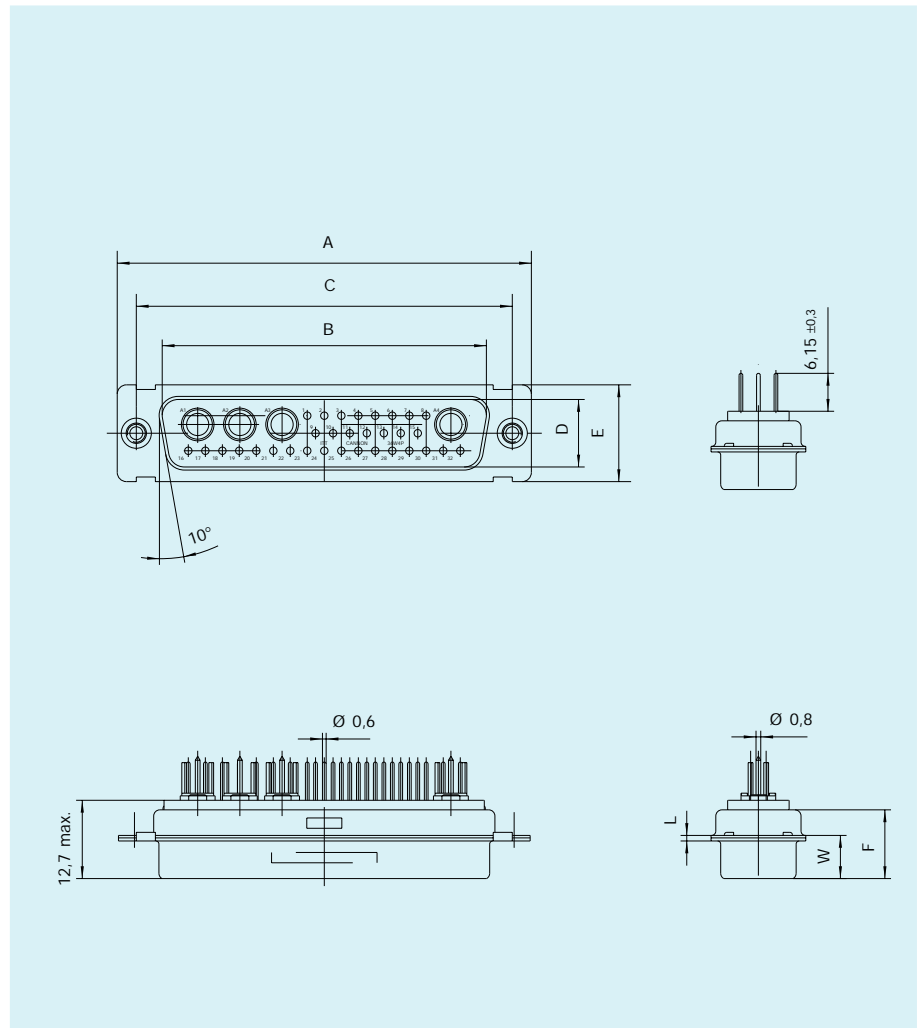
For standoff 4-40 UNC thread replace T with V.  
 For standoff, 4-40 UNC thread post and pushfit replace U with N.

For 4-40 UNC thread standoff with pushfit replace Q with Z.  
 For captive nut 4-40 UNC replace X with E.

Pin



- For contact cavity arrangements, see page 52.
- For pcb hole pattern, see page 60 – 63.
- For mounting methods, see page 86 – 87.
- For panel cut-outs, see our D Subminiature catalogue.



Dimensions

Shell size	A	B	C	D	E	F	L	W
DD	±0,38	±0,13	±0,13	±0,13	±0,13	±0,25	+0,2	±0,4
DD	66,95	52,8	61,1	11,1	15,4	10,8	0,9	6,85

## Coaxial straight – European solder pins, sizes DD

### 75 Ohm part numbers with straight contacts

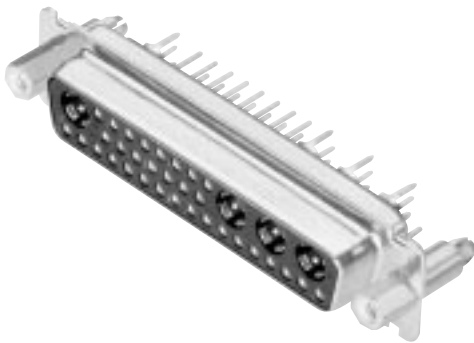
Shell size	Layout	with standoff M3	with standoff M3 with pushfit	standoff, M3 post and pushfit	with M3 clinch nut	with through hole 3,05 mm
DD	24W7	DDMT-24C7S-OL4-A191-A197	DDMQ-24C7S-OL4-A191-A197	DDMU-24C7S-OL4-A191-A197	DDMX-24C7S-OL4-A191-A197	DDM-24C7S-OL4-A191-A197
DD	36W4	DDMT-36C4S-OL4-A191-A197	DDMQ-36C4S-OL4-A191-A197	DDMU-36C4S-OL4-A191-A197	DDMX-36C4S-OL4-A191-A197	DDM-36C4S-OL4-A191-A197
DD	43W2	DDMT-43C2S-OL4-A191-A197	DDMQ-43C2S-OL4-A191-A197	DDMU-43C2S-OL4-A191-A197	DDMX-43C2S-OL4-A191-A197	DDM-43C2S-OL4-A191-A197
DD	47W1	DDMT-47C1S-OL4-A191-A197	DDMQ-47C1S-OL4-A191-A197	DDMU-47C1S-OL4-A191-A197	DDMX-47C1S-OL4-A191-A197	DDM-47C1S-OL4-A191-A197

For performance class 1 replace A191 with A190.  
 For performance class 3 delete A191.  
 For 50 ohm coaxial replace C with X.

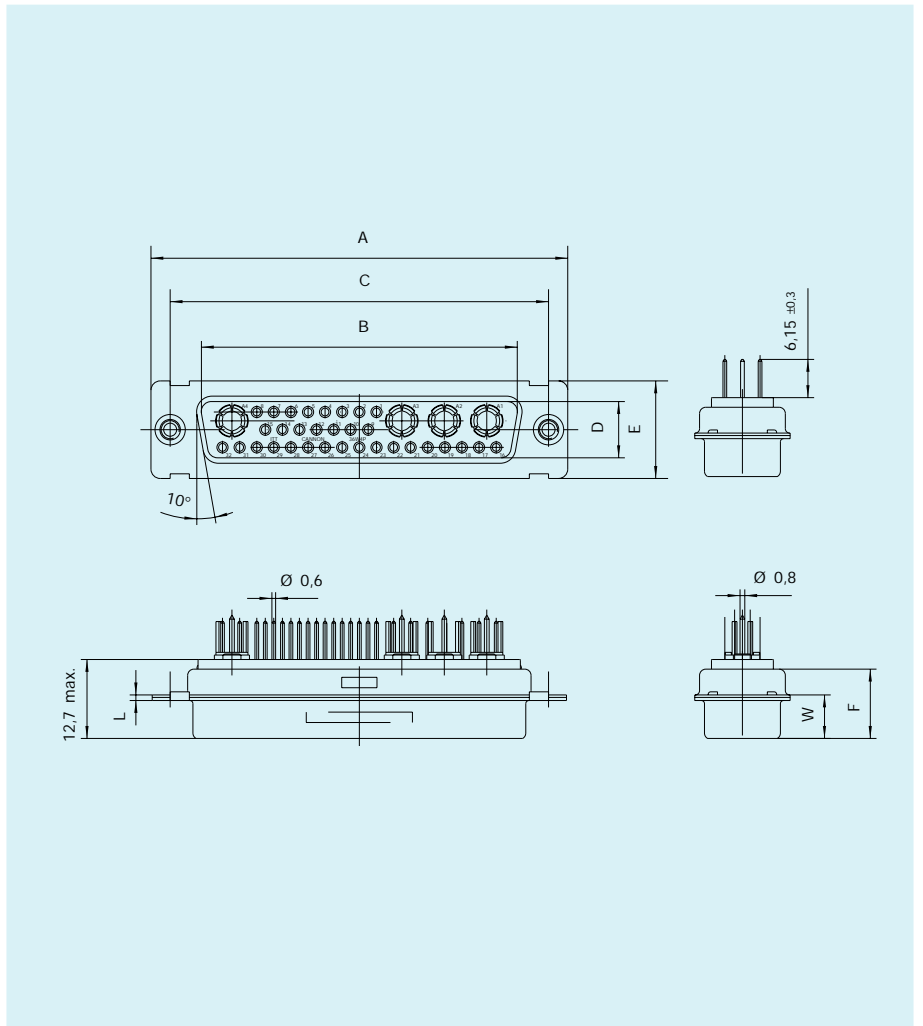
For standoff 4-40 UNC thread replace T with V.  
 For standoff, 4-40 UNC thread post and pushfit replace U with N.

For 4-40 UNC thread standoff with pushfit replace Q with Z.  
 For captive nut 4-40 UNC replace X with E.

### Socket



- For contact cavity arrangements, see page 53.
- For pcb hole pattern, see page 64 – 67.
- For mounting methods, see page 86 – 87.
- For panel cut-outs, see our D Subminiature catalogue.



### Dimensions

Shell size	A	B	C	D	E	F	L	W
	±0,38	±0,13	±0,13	±0,13	±0,13	±0,25	+0,2	±0,4
DD	66,95	52,4	61,1	10,75	15,4	10,9	0,8	6,95

40 A High power 90° – European footprint, sizes DE – DC, with metal bracket

Part numbers with metal bracket and captive nut M3

Part numbers with metal bracket with bushing dia. 3,05

Part numbers with metal bracket with post M3

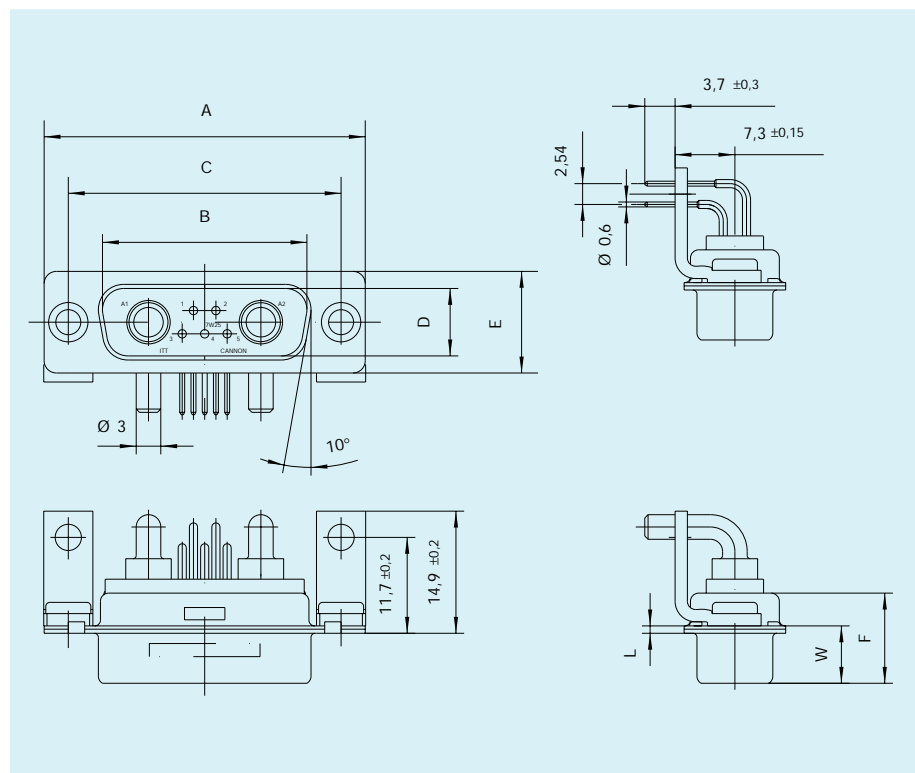
Shell size	Layout	P/N without pushfit	P/N with pushfit	P/N without pushfit	P/N with pushfit	P/N without pushfit	P/N with pushfit
DE	5W1	DEM-5P1P-1A9N-A191-K87	DEM-5P1P-1A9N-A191-K87-146	DEM-5P1P-1AFN-A191-K87	DEM-5P1P-1AFN-A191-K87-146	DEM-5P1P-1AHN-A191-K87	DEM-5P1P-1AHN-A191-K87-146
DA	7W2	DAM-7P2P-1A9N-A191-K87	DAM-7P2P-1A9N-A191-K87-146	DAM-7P2P-1AFN-A191-K87	DAM-7P2P-1AFN-A191-K87-146	DAM-7P2P-1AHN-A191-K87	DAM-7P2P-1AHN-A191-K87-146
DA	11W1	DAM-11P1P-1A9N-A191-K87	DAM-11P1P-1A9N-A191-K87-146	DAM-11P1P-1AFN-A191-K87	DAM-11P1P-1AFN-A191-K87-146	DAM-11P1P-1AHN-A191-K87	DAM-11P1P-1AHN-A191-K87-146
DA	3W3	DAM-3P3P-1A9N-A191-K87	DAM-3P3P-1A9N-A191-K87-146	DAM-3P3P-1AFN-A191-K87	DAM-3P3P-1AFN-A191-K87-146	DAM-3P3P-1AHN-A191-K87	DAM-3P3P-1AHN-A191-K87-146
DA	3WK3	DAM-3PK3P-1A9N-A191-K87	DAM-3PK3P-1A9N-A191-K87-146	DAM-3PK3P-1AFN-A191-K87	DAM-3PK3P-1AFN-A191-K87-146	DAM-3PK3P-1AHN-A191-K87	DAM-3PK3P-1AHN-A191-K87-146
DB	5W5	DBM-5P5P-1A9N-A191-K87	DBM-5P5P-1A9N-A191-K87-146	DBM-5P5P-1AFN-A191-K87	DBM-5P5P-1AFN-A191-K87-146	DBM-5P5P-1AHN-A191-K87	DBM-5P5P-1AHN-A191-K87-146
DB	9W4	DBM-9P4P-1A9N-A191-K87	DBM-9P4P-1A9N-A191-K87-146	DBM-9P4P-1AFN-A191-K87	DBM-9P4P-1AFN-A191-K87-146	DBM-9P4P-1AHN-A191-K87	DBM-9P4P-1AHN-A191-K87-146
DB	13W3	DBM-13P3P-1A9N-A191-K87	DBM-13P3P-1A9N-A191-K87-146	DBM-13P3P-1AFN-A191-K87	DBM-13P3P-1AFN-A191-K87-146	DBM-13P3P-1AHN-A191-K87	DBM-13P3P-1AHN-A191-K87-146
DB	17W2	DBM-17P2P-1A9N-A191-K87	DBM-17P2P-1A9N-A191-K87-146	DBM-17P2P-1AFN-A191-K87	DBM-17P2P-1AFN-A191-K87-146	DBM-17P2P-1AHN-A191-K87	DBM-17P2P-1AHN-A191-K87-146
DB	21W1	DBM-21P1P-1A9N-A191-K87	DBM-21P1P-1A9N-A191-K87-146	DBM-21P1P-1AFN-A191-K87	DBM-21P1P-1AFN-A191-K87-146	DBM-21P1P-1AHN-A191-K87	DBM-21P1P-1AHN-A191-K87-146
DC	8W8	DCM-8P8P-1A9N-A191-K87	DCM-8P8P-1A9N-A191-K87-146	DCM-8P8P-1AFN-A191-K87	DCM-8P8P-1AFN-A191-K87-146	DCM-8P8P-1AHN-A191-K87	DCM-8P8P-1AHN-A191-K87-146
DC	13W6	DCM-13P6P-1A9N-A191-K87	DCM-13P6P-1A9N-A191-K87-146	DCM-13P6P-1AFN-A191-K87	DCM-13P6P-1AFN-A191-K87-146	DCM-13P6P-1AHN-A191-K87	DCM-13P6P-1AHN-A191-K87-146
DC	17W5	DCM-17P5P-1A9N-A191-K87	DCM-17P5P-1A9N-A191-K87-146	DCM-17P5P-1AFN-A191-K87	DCM-17P5P-1AFN-A191-K87-146	DCM-17P5P-1AHN-A191-K87	DCM-17P5P-1AHN-A191-K87-146
DC	21WA4	DCM-21PA4P-1A9N-A191-K87	DCM-21PA4P-1A9N-A191-K87-146	DCM-21PA4P-1AFN-A191-K87	DCM-21PA4P-1AFN-A191-K87-146	DCM-21PA4P-1AHN-A191-K87	DCM-21PA4P-1AHN-A191-K87-146
DC	25W3	DCM-25P3P-1A9N-A191-K87	DCM-25P3P-1A9N-A191-K87-146	DCM-25P3P-1AFN-A191-K87	DCM-25P3P-1AFN-A191-K87-146	DCM-25P3P-1AHN-A191-K87	DCM-25P3P-1AHN-A191-K87-146
DC	27W2	DCM-27P2P-1A9N-A191-K87	DCM-27P2P-1A9N-A191-K87-146	DCM-27P2P-1AFN-A191-K87	DCM-27P2P-1AFN-A191-K87-146	DCM-27P2P-1AHN-A191-K87	DCM-27P2P-1AHN-A191-K87-146

For performance class 1 replace A191 with A190.  
For performance class 3 delete A191.

For captive nut 4-40 UNC thread replace 1A9N with 1A7N and 1AHN with 1A8N.

For pushfit 90° pcb hole diameter 3,2 mm replace 146 with 162.

Pin



- For contact cavity arrangements, see page 52.
- For pcb hole pattern, see page 68 – 71.
- For mounting methods, see page 86 – 87.
- For panel cut-outs, see our D Subminiature catalogue.

Dimensions

Shell size	A ± 0,38	B ± 0,13	C ± 0,13	D ± 0,13	E ± 0,13	F ± 0,25	L + 0,2	W ± 0,4
DE	30,8	16,9	25	8,35	12,55	10,7	0,8	6,7
DA	39,15	25,25	33,3	8,35	12,55	10,7	0,8	6,7
DB	53,05	38,95	47,05	8,35	12,55	10,8	0,9	6,8
DC	69,3	55,4	63,5	8,35	12,55	10,8	0,9	6,8

40 A High power 90° – European footprint, sizes DE – DC, with metal bracket

Part numbers with metal bracket and captive nut M3

Part numbers with metal bracket with dia. 3,05

Part numbers with metal bracket with post M3

Shell size	Layout	P/N without pushfit	P/N with pushfit	P/N without pushfit	P/N with pushfit	P/N without pushfit	P/N with pushfit
DE	5W1	DEM-5P1S-1A9N-A191-A197	DEM-5P1S-1A9N-A191-A197-146	DEM-5P1S-1AFN-A191-A197	DEM-5P1S-1AFN-A191-A197-146	DEM-5P1S-1AHN-A191-A197	DEM-5P1S-1AHN-A191-A197-146
DA	7W2	DAM-7P2S-1A9N-A191-A197	DAM-7P2S-1A9N-A191-A197-146	DAM-7P2S-1AFN-A191-A197	DAM-7P2S-1AFN-A191-A197-146	DAM-7P2S-1AHN-A191-A197	DAM-7P2S-1AHN-A191-A197-146
DA	11W1	DAM-11P1S-1A9N-A191-A197	DAM-11P1S-1A9N-A191-A197-146	DAM-11P1S-1AFN-A191-A197	DAM-11P1S-1AFN-A191-A197-146	DAM-11P1S-1AHN-A191-A197	DAM-11P1S-1AHN-A191-A197-146
DA	3W3	DAM-3P3S-1A9N-A191-A197	DAM-3P3S-1A9N-A191-A197-146	DAM-3P3S-1AFN-A191-A197	DAM-3P3S-1AFN-A191-A197-146	DAM-3P3S-1AHN-A191-A197	DAM-3P3S-1AHN-A191-A197-146
DA	3WK3	DAM-3PK3S-1A9N-A191-A197	DAM-3PK3S-1A9N-A191-A197-146	DAM-3PK3S-1AFN-A191-A197	DAM-3PK3S-1AFN-A191-A197-146	DAM-3PK3S-1AHN-A191-A197	DAM-3PK3S-1AHN-A191-A197-146
DB	5W5	DBM-5P5S-1A9N-A191-A197	DBM-5P5S-1A9N-A191-A197-146	DBM-5P5S-1AFN-A191-A197	DBM-5P5S-1AFN-A191-A197-146	DBM-5P5S-1AHN-A191-A197	DBM-5P5S-1AHN-A191-A197-146
DB	9W4	DBM-9P4S-1A9N-A191-A197	DBM-9P4S-1A9N-A191-A197-146	DBM-9P4S-1AFN-A191-A197	DBM-9P4S-1AFN-A191-A197-146	DBM-9P4S-1AHN-A191-A197	DBM-9P4S-1AHN-A191-A197-146
DB	13W3	DBM-13P3S-1A9N-A191-A197	DBM-13P3S-1A9N-A191-A197-146	DBM-13P3S-1AFN-A191-A197	DBM-13P3S-1AFN-A191-A197-146	DBM-13P3S-1AHN-A191-A197	DBM-13P3S-1AHN-A191-A197-146
DB	17W2	DBM-17P2S-1A9N-A191-A197	DBM-17P2S-1A9N-A191-A197-146	DBM-17P2S-1AFN-A191-A197	DBM-17P2S-1AFN-A191-A197-146	DBM-17P2S-1AHN-A191-A197	DBM-17P2S-1AHN-A191-A197-146
DB	21W1	DBM-21P1S-1A9N-A191-A197	DBM-21P1S-1A9N-A191-A197-146	DBM-21P1S-1AFN-A191-A197	DBM-21P1S-1AFN-A191-A197-146	DBM-21P1S-1AHN-A191-A197	DBM-21P1S-1AHN-A191-A197-146
DC	8W8	DCM-8P8S-1A9N-A191-A197	DCM-8P8S-1A9N-A191-A197-146	DCM-8P8S-1AFN-A191-A197	DCM-8P8S-1AFN-A191-A197-146	DCM-8P8S-1AHN-A191-A197	DCM-8P8S-1AHN-A191-A197-146
DC	13W6	DCM-13P6S-1A9N-A191-A197	DCM-13P6S-1A9N-A191-A197-146	DCM-13P6S-1AFN-A191-A197	DCM-13P6S-1AFN-A191-A197-146	DCM-13P6S-1AHN-A191-A197	DCM-13P6S-1AHN-A191-A197-146
DC	17W5	DCM-17P5S-1A9N-A191-A197	DCM-17P5S-1A9N-A191-A197-146	DCM-17P5S-1AFN-A191-A197	DCM-17P5S-1AFN-A191-A197-146	DCM-17P5S-1AHN-A191-A197	DCM-17P5S-1AHN-A191-A197-146
DC	21WA4	DCM-21PA4S-1A9N-A191-A197	DCM-21PA4S-1A9N-A191-A197-146	DCM-21PA4S-1AFN-A191-A197	DCM-21PA4S-1AFN-A191-A197-146	DCM-21PA4S-1AHN-A191-A197	DCM-21PA4S-1AHN-A191-A197-146
DC	25W3	DCM-25P3S-1A9N-A191-A197	DCM-25P3S-1A9N-A191-A197-146	DCM-25P3S-1AFN-A191-A197	DCM-25P3S-1AFN-A191-A197-146	DCM-25P3S-1AHN-A191-A197	DCM-25P3S-1AHN-A191-A197-146
DC	27W2	DCM-27P2S-1A9N-A191-A197	DCM-27P2S-1A9N-A191-A197-146	DCM-27P2S-1AFN-A191-A197	DCM-27P2S-1AFN-A191-A197-146	DCM-27P2S-1AHN-A191-A197	DCM-27P2S-1AHN-A191-A197-146

For performance class 1 replace A191 with A190.  
For performance class 3 delete A191.

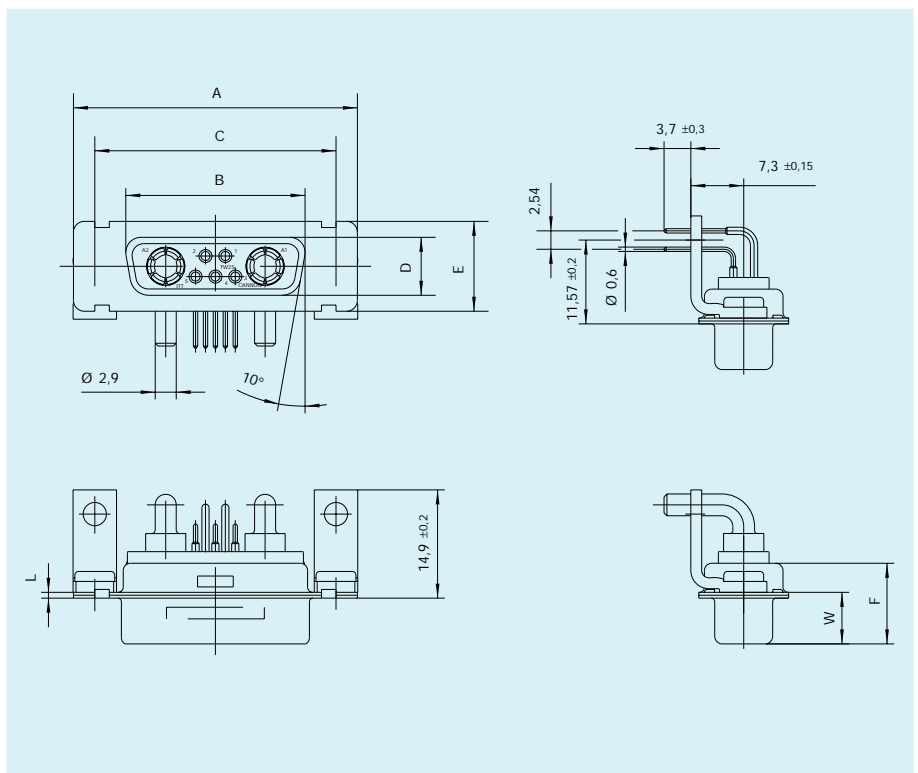
For captive nut 4-40 UNC thread replace 1A9N with 1A7N and 1AHN with 1A8N.

For pushfit 90° pcb hole diameter 3,2 mm replace 146 with 162.

Socket



- For contact cavity arrangements, see page 53.
- For pcb hole pattern, see page 72 – 75.
- For mounting methods, see page 86 – 87.
- For panel cut-outs, see our D Subminiature catalogue.



Dimensions

Shell size	A	B	C	D	E	F	L	W
	±0,38	±0,13	±0,13	±0,13	±0,13	±0,25	+0,2	±0,4
DE	30,8	16,35	25	7,9	12,55	10,9	0,8	6,95
DA	39,15	24,65	33,3	7,9	12,55	10,9	0,8	6,95
DB	53,05	38,4	47,05	7,9	12,55	10,9	0,8	6,95
DC	69,3	54,85	63,5	7,9	12,55	10,9	0,8	6,95



## 40 A High power 90° – European footprint, size DD, with metal bracket

Part numbers with metal bracket and captive nut M3

Part numbers with metal bracket with bushing diam. 3,05

Part numbers with metal bracket with post M3

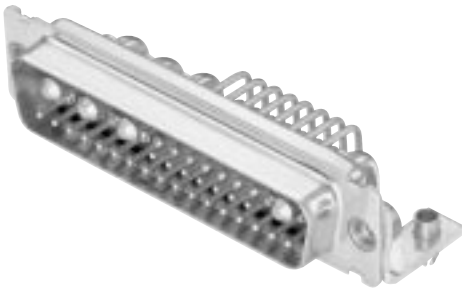
Shell size	Layout	P/N without pushfit	P/N with pushfit	P/N without pushfit	P/N with pushfit	P/N without pushfit	P/N with pushfit
DD	24W7	DDM-24P7P-1A9N-A191-K87	DDM-24P7P-1A9N-A191-K87-146	DDM-24P7P-1AFN-A191-K87	DDM-24P7P-1AFN-A191-K87-146	DDM-24P7P-1AHN-A191-K87	DDM-24P7P-1AHN-A191-K87-146
DD	36W4	DDM-36P4P-1A9N-A191-K87	DDM-36P4P-1A9N-A191-K87-146	DDM-36P4P-1AFN-A191-K87	DDM-36P4P-1AFN-A191-K87-146	DDM-36P4P-1AHN-A191-K87	DDM-36P4P-1AHN-A191-K87-146
DD	43W2	DDM-43P2P-1A9N-A191-K87	DDM-43P2P-1A9N-A191-K87-146	DDM-43P2P-1AFN-A191-K87	DDM-43P2P-1AFN-A191-K87-146	DDM-43P2P-1AHN-A191-K87	DDM-43P2P-1AHN-A191-K87-146
DD	47W1	DDM-47P1P-1A9N-A191-K87	DDM-47P1P-1A9N-A191-K87-146	DDM-47P1P-1AFN-A191-K87	DDM-47P1P-1AFN-A191-K87-146	DDM-47P1P-1AHN-A191-K87	DDM-47P1P-1AHN-A191-K87-146

For performance class 1 replace A191 with A190.  
For performance class 3 delete A191.

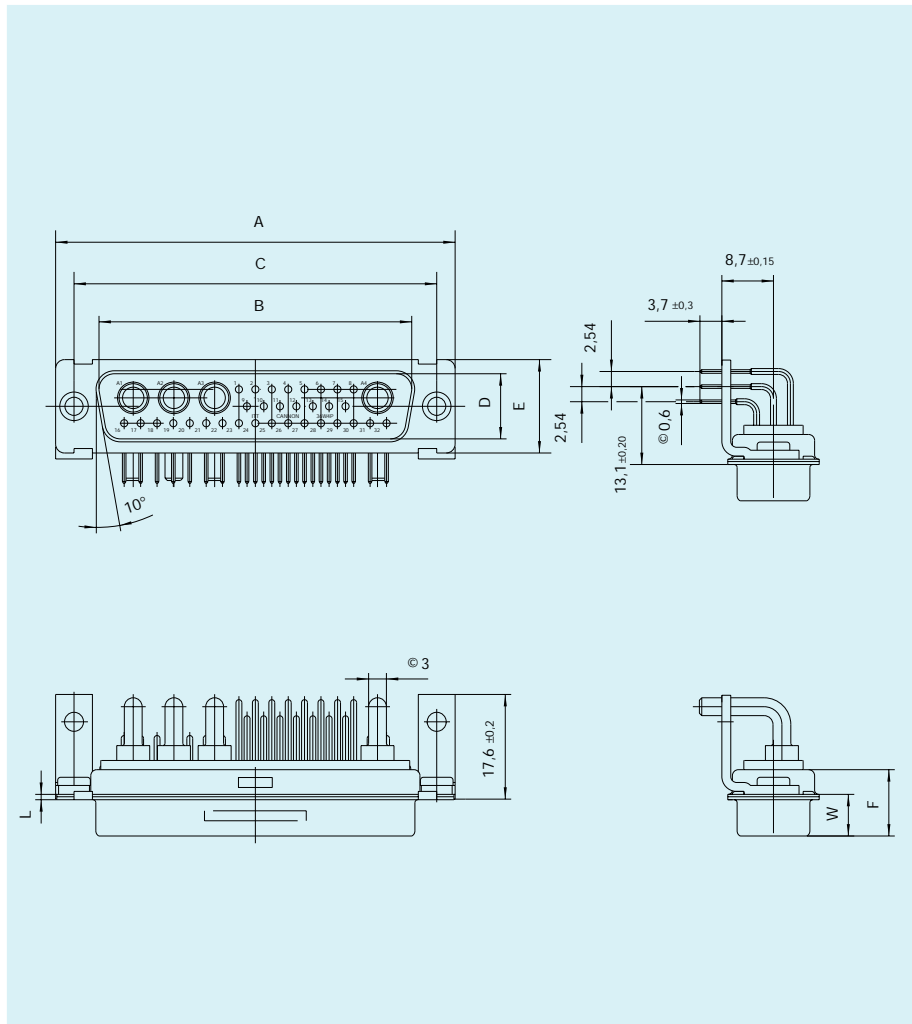
For captive nut 4-40 UNC thread replace 1A9N with 1A7N and 1AHN with 1A8N.

For pushfit 90° pcb hole diameter 3,2 mm replace 146 with 162.

### Pin



- For contact cavity arrangements, see page 52.
- For pcb hole pattern, see page 68 – 71.
- For mounting methods, see page 86 – 87.
- For panel cut-outs, see our D Subminiature catalogue.



### Dimensions

Shell size	A	B	C	D	E	F	L	W
DD	±0,38	±0,13	±0,13	±0,13	±0,13	±0,25	+0,2	±0,4
DD	66,95	52,8	61,1	11,1	15,4	10,8	0,9	6,85

## 40 A High power 90° – European footprint, size DD, with metal bracket

Part numbers with metal bracket and captive nut M3

Part numbers with metal bracket with bushing diam. 3,05

Part numbers with metal bracket with post M3

Shell size	Layout	P/N without pushfit	P/N with pushfit	P/N without pushfit	P/N with pushfit	P/N without pushfit	P/N with pushfit
DD	24W7	DDM-24P7S-1A9N-A191-A197	DDM-24P7S-1A9N-A191-A197-146	DDM-24P7S-1AFN-A191-A197	DDM-24P7S-1AFN-A191-A197-146	DDM-24P7S-1AHN-A191-A197	DDM-24P7S-1AHN-A191-A197-146
DD	36W4	DDM-36P4S-1A9N-A191-A197	DDM-36P4S-1A9N-A191-A197-146	DDM-36P4S-1AFN-A191-A197	DDM-36P4S-1AFN-A191-A197-146	DDM-36P4S-1AHN-A191-A197	DDM-36P4S-1AHN-A191-A197-146
DD	43W2	DDM-43P2S-1A9N-A191-A197	DDM-43P2S-1A9N-A191-A197-146	DDM-43P2S-1AFN-A191-A197	DDM-43P2S-1AFN-A191-A197-146	DDM-43P2S-1AHN-A191-A197	DDM-43P2S-1AHN-A191-A197-146
DD	47W1	DDM-47P1S-1A9N-A191-A197	DDM-47P1S-1A9N-A191-A197-146	DDM-47P1S-1AFN-A191-A197	DDM-47P1S-1AFN-A191-A197-146	DDM-47P1S-1AHN-A191-A197	DDM-47P1S-1AHN-A191-A197-146

For performance class 1 replace A191 with A190.  
For performance class 3 delete A191.

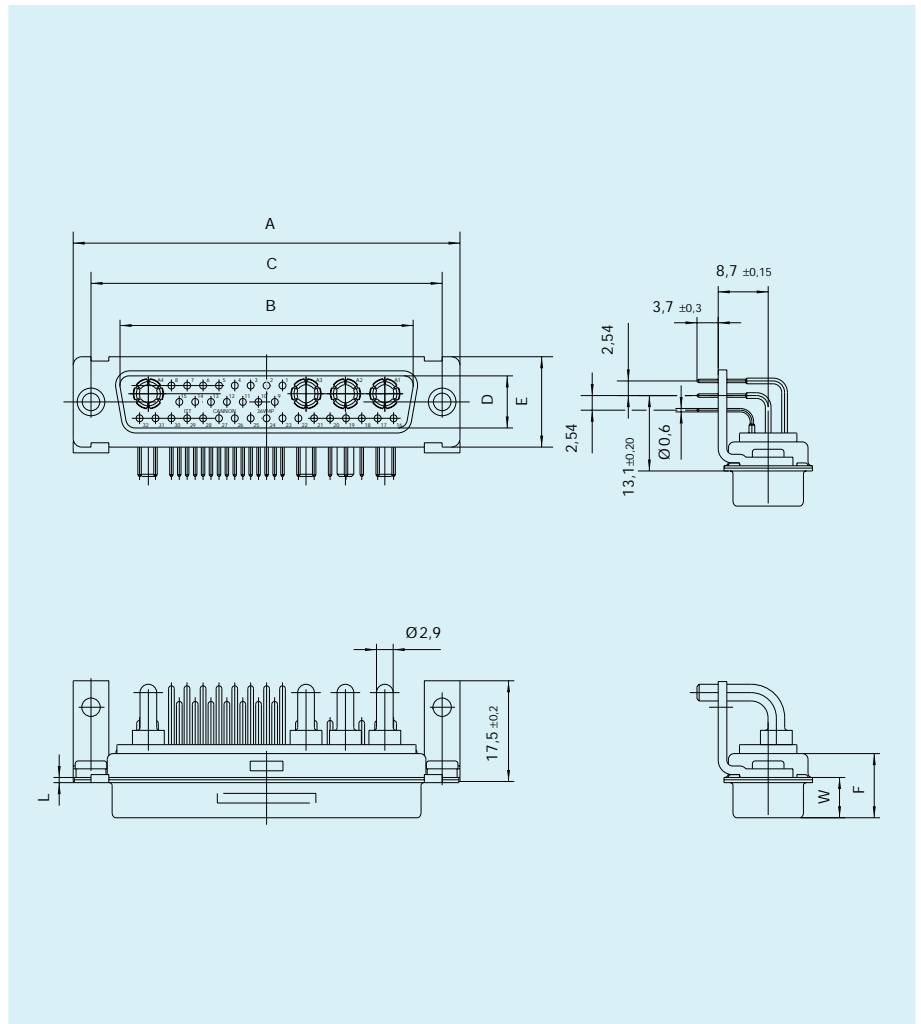
For captive nut 4-40 UNC thread replace 1A9N with 1A7N and 1AHN with 1A8N.

For pushfit 90° pcb hole diameter 3,2 mm replace 146 with 162.

### Socket



- For contact cavity arrangements, see page 53.
- For pcb hole pattern, see page 72 – 75.
- For mounting methods, see page 86 – 87.
- For panel cut-outs, see our D Subminiature catalogue.



### Dimensions

Shell size	A	B	C	D	E	F	L	W
	±0,38	±0,13	±0,13	±0,13	±0,13	±0,25	+0,2	±0,4
DD	66,95	52,4	61,1	10,75	15,4	10,9	0,8	6,95

40 A High power 90° – European footprint, sizes DE – DC, with plastic bracket

Part numbers with plastic bracket and captive nut M3

Part numbers with plastic bracket with bushing diam. 3,05

Part numbers with plastic bracket with post M3

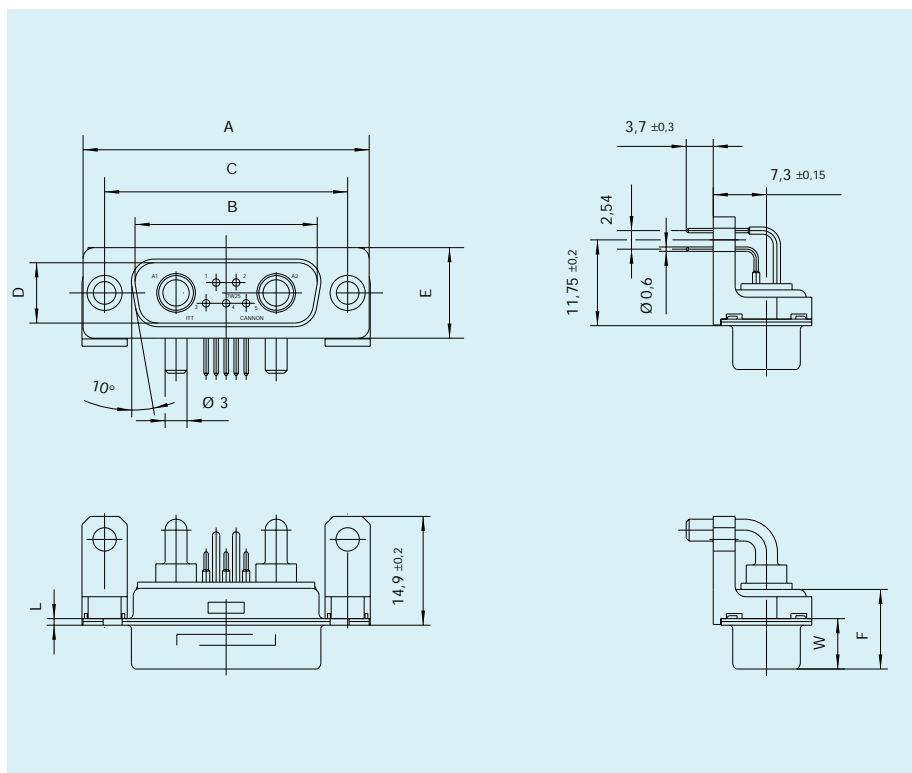
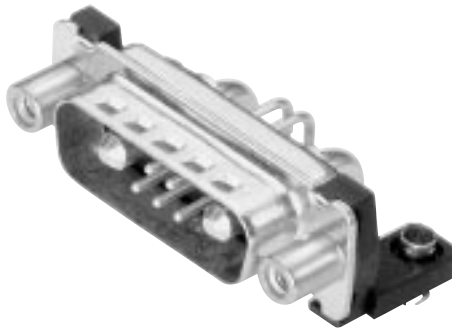
Shell size	Layout	P/N without pushfit	P/N with pushfit	P/N without pushfit	P/N with pushfit	P/N without pushfit	P/N with pushfit
DE	5W1	DEM-5P1P-1ATN-A191-K87	DEM-5P1P-1ATN-A191-K87-146	DEM-5P1P-1A5N-A191-K87	DEM-5P1P-1A5N-A191-K87-146	DEM-5P1P-1APN-A191-K87	DEM-5P1P-1APN-A191-K87-146
DA	7W2	DAM-7P2P-1ATN-A191-K87	DAM-7P2P-1ATN-A191-K87-146	DAM-7P2P-1A5N-A191-K87	DAM-7P2P-1A5N-A191-K87-146	DAM-7P2P-1APN-A191-K87	DAM-7P2P-1APN-A191-K87-146
DA	11W1	DAM-11P1P-1ATN-A191-K87	DAM-11P1P-1ATN-A191-K87-146	DAM-11P1P-1A5N-A191-K87	DAM-11P1P-1A5N-A191-K87-146	DAM-11P1P-1APN-A191-K87	DAM-11P1P-1APN-A191-K87-146
DA	3W3	DAM-3P3P-1ATN-A191-K87	DAM-3P3P-1ATN-A191-K87-146	DAM-3P3P-1A5N-A191-K87	DAM-3P3P-1A5N-A191-K87-146	DAM-3P3P-1APN-A191-K87	DAM-3P3P-1APN-A191-K87-146
DA	3WK3	DAM-3PK3P-1ATN-A191-K87	DAM-3PK3P-1ATN-A191-K87-146	DAM-3PK3P-1A5N-A191-K87	DAM-3PK3P-1A5N-A191-K87-146	DAM-3PK3P-1APN-A191-K87	DAM-3PK3P-1APN-A191-K87-146
DB	5W5	DBM-5P5P-1ATN-A191-K87	DBM-5P5P-1ATN-A191-K87-146	DBM-5P5P-1A5N-A191-K87	DBM-5P5P-1A5N-A191-K87-146	DBM-5P5P-1APN-A191-K87	DBM-5P5P-1APN-A191-K87-146
DB	9W4	DBM-9P4P-1ATN-A191-K87	DBM-9P4P-1ATN-A191-K87-146	DBM-9P4P-1A5N-A191-K87	DBM-9P4P-1A5N-A191-K87-146	DBM-9P4P-1APN-A191-K87	DBM-9P4P-1APN-A191-K87-146
DB	13W3	DBM-13P3P-1ATN-A191-K87	DBM-13P3P-1ATN-A191-K87-146	DBM-13P3P-1A5N-A191-K87	DBM-13P3P-1A5N-A191-K87-146	DBM-13P3P-1APN-A191-K87	DBM-13P3P-1APN-A191-K87-146
DB	17W2	DBM-17P2P-1ATN-A191-K87	DBM-17P2P-1ATN-A191-K87-146	DBM-17P2P-1A5N-A191-K87	DBM-17P2P-1A5N-A191-K87-146	DBM-17P2P-1APN-A191-K87	DBM-17P2P-1APN-A191-K87-146
DB	21W1	DBM-21P1P-1ATN-A191-K87	DBM-21P1P-1ATN-A191-K87-146	DBM-21P1P-1A5N-A191-K87	DBM-21P1P-1A5N-A191-K87-146	DBM-21P1P-1APN-A191-K87	DBM-21P1P-1APN-A191-K87-146
DC	8W8	DCM-8P8P-1ATN-A191-K87	DCM-8P8P-1ATN-A191-K87-146	DCM-8P8P-1A5N-A191-K87	DCM-8P8P-1A5N-A191-K87-146	DCM-8P8P-1APN-A191-K87	DCM-8P8P-1APN-A191-K87-146
DC	13W6	DCM-13P6P-1ATN-A191-K87	DCM-13P6P-1ATN-A191-K87-146	DCM-13P6P-1A5N-A191-K87	DCM-13P6P-1A5N-A191-K87-146	DCM-13P6P-1APN-A191-K87	DCM-13P6P-1APN-A191-K87-146
DC	17W5	DCM-17P5P-1ATN-A191-K87	DCM-17P5P-1ATN-A191-K87-146	DCM-17P5P-1A5N-A191-K87	DCM-17P5P-1A5N-A191-K87-146	DCM-17P5P-1APN-A191-K87	DCM-17P5P-1APN-A191-K87-146
DC	21WA4	DCM-21PA4P-1ATN-A191-K87	DCM-21PA4P-1ATN-A191-K87-146	DCM-21PA4P-1A5N-A191-K87	DCM-21PA4P-1A5N-A191-K87-146	DCM-21PA4P-1APN-A191-K87	DCM-21PA4P-1APN-A191-K87-146
DC	25W3	DCM-25P3P-1ATN-A191-K87	DCM-25P3P-1ATN-A191-K87-146	DCM-25P3P-1A5N-A191-K87	DCM-25P3P-1A5N-A191-K87-146	DCM-25P3P-1APN-A191-K87	DCM-25P3P-1APN-A191-K87-146
DC	27W2	DCM-27P2P-1ATN-A191-K87	DCM-27P2P-1ATN-A191-K87-146	DCM-27P2P-1A5N-A191-K87	DCM-27P2P-1A5N-A191-K87-146	DCM-27P2P-1APN-A191-K87	DCM-27P2P-1APN-A191-K87-146

For performance class 1 replace A191 with A190.  
For performance class 3 delete A191.

For pushfit 90° hole diameter 3,2 mm replace 146 with 162.

For captive nut 4-40 UNC replace 1ATN with 1AUN and 1APN with 1A6N.

Pin



- For contact cavity arrangements, see page 52.
- For pcb hole pattern, see page 68 – 71.
- For mounting methods, see page 86 – 87.
- For panel cut-outs, see our D Subminiature catalogue.

Dimensions

Shell size	A ± 0,38	B ± 0,13	C ± 0,13	D ± 0,13	E ± 0,13	F ± 0,25	L + 0,2	W ± 0,4
DE	30,8	16,9	25	8,35	12,55	10,7	0,8	6,7
DA	39,15	25,25	33,3	8,35	12,55	10,7	0,8	6,7
DB	53,05	38,95	47,05	8,35	12,55	10,8	0,9	6,8
DC	69,3	55,4	63,5	8,35	12,55	10,8	0,9	6,8

40 A High power 90° – European footprint, sizes DE – DC, with plastic bracket

Part numbers with plastic bracket and captive nut M3

Part numbers with plastic bracket with bushing diam. 3,05

Part numbers with plastic bracket with post M3

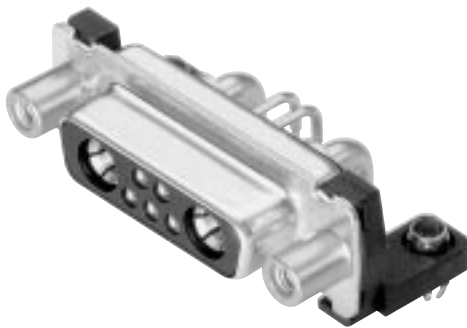
Shell size	Layout	P/N without pushfit	P/N with pushfit	P/N without pushfit	P/N with pushfit	P/N without pushfit	P/N with pushfit
DE	5W1	DEM-5P1S-1ATN-A191-A197	DEM-5P1S-1ATN-A191-A197-146	DEM-5P1S-1A5N-A191-A197	DEM-5P1S-1A5N-A191-A197-146	DEM-5P1S-1APN-A191-A197	DEM-5P1S-1APN-A191-A197-146
DA	7W2	DAM-7P2S-1ATN-A191-A197	DAM-7P2S-1ATN-A191-A197-146	DAM-7P2S-1A5N-A191-A197	DAM-7P2S-1A5N-A191-A197-146	DAM-7P2S-1APN-A191-A197	DAM-7P2S-1APN-A191-A197-146
DA	11W1	DAM-11P1S-1ATN-A191-A197	DAM-11P1S-1ATN-A191-A197-146	DAM-11P1S-1A5N-A191-A197	DAM-11P1S-1A5N-A191-A197-146	DAM-11P1S-1APN-A191-A197	DAM-11P1S-1APN-A191-A197-146
DA	3W3	DAM-3P3S-1ATN-A191-A197	DAM-3P3S-1ATN-A191-A197-146	DAM-3P3S-1A5N-A191-A197	DAM-3P3S-1A5N-A191-A197-146	DAM-3P3S-1APN-A191-A197	DAM-3P3S-1APN-A191-A197-146
DA	3WK3	DAM-3PK3S-1ATN-A191-A197	DAM-3PK3S-1ATN-A191-A197-146	DAM-3PK3S-1A5N-A191-A197	DAM-3PK3S-1A5N-A191-A197-146	DAM-3PK3S-1APN-A191-A197	DAM-3PK3S-1APN-A191-A197-146
DB	5W5	DBM-5P5S-1ATN-A191-A197	DBM-5P5S-1ATN-A191-A197-146	DBM-5P5S-1A5N-A191-A197	DBM-5P5S-1A5N-A191-A197-146	DBM-5P5S-1APN-A191-A197	DBM-5P5S-1APN-A191-A197-146
DB	9W4	DBM-9P4S-1ATN-A191-A197	DBM-9P4S-1ATN-A191-A197-146	DBM-9P4S-1A5N-A191-A197	DBM-9P4S-1A5N-A191-A197-146	DBM-9P4S-1APN-A191-A197	DBM-9P4S-1APN-A191-A197-146
DB	13W3	DBM-13P3S-1ATN-A191-A197	DBM-13P3S-1ATN-A191-A197-146	DBM-13P3S-1A5N-A191-A197	DBM-13P3S-1A5N-A191-A197-146	DBM-13P3S-1APN-A191-A197	DBM-13P3S-1APN-A191-A197-146
DB	17W2	DBM-17P2S-1ATN-A191-A197	DBM-17P2S-1ATN-A191-A197-146	DBM-17P2S-1A5N-A191-A197	DBM-17P2S-1A5N-A191-A197-146	DBM-17P2S-1APN-A191-A197	DBM-17P2S-1APN-A191-A197-146
DB	21W1	DBM-21P1S-1ATN-A191-A197	DBM-21P1S-1ATN-A191-A197-146	DBM-21P1S-1A5N-A191-A197	DBM-21P1S-1A5N-A191-A197-146	DBM-21P1S-1APN-A191-A197	DBM-21P1S-1APN-A191-A197-146
DC	8W8	DCM-8P8S-1ATN-A191-A197	DCM-8P8S-1ATN-A191-A197-146	DCM-8P8S-1A5N-A191-A197	DCM-8P8S-1A5N-A191-A197-146	DCM-8P8S-1APN-A191-A197	DCM-8P8S-1APN-A191-A197-146
DC	13W6	DCM-13P6S-1ATN-A191-A197	DCM-13P6S-1ATN-A191-A197-146	DCM-13P6S-1A5N-A191-A197	DCM-13P6S-1A5N-A191-A197-146	DCM-13P6S-1APN-A191-A197	DCM-13P6S-1APN-A191-A197-146
DC	17W5	DCM-17P5S-1ATN-A191-A197	DCM-17P5S-1ATN-A191-A197-146	DCM-17P5S-1A5N-A191-A197	DCM-17P5S-1A5N-A191-A197-146	DCM-17P5S-1APN-A191-A197	DCM-17P5S-1APN-A191-A197-146
DC	21WA4	DCM-21PA4S-1ATN-A191-A197	DCM-21PA4S-1ATN-A191-A197-146	DCM-21PA4S-1A5N-A191-A197	DCM-21PA4S-1A5N-A191-A197-146	DCM-21PA4S-1APN-A191-A197	DCM-21PA4S-1APN-A191-A197-146
DC	25W3	DCM-25P3S-1ATN-A191-A197	DCM-25P3S-1ATN-A191-A197-146	DCM-25P3S-1A5N-A191-A197	DCM-25P3S-1A5N-A191-A197-146	DCM-25P3S-1APN-A191-A197	DCM-25P3S-1APN-A191-A197-146
DC	27W2	DCM-27P2S-1ATN-A191-A197	DCM-27P2S-1ATN-A191-A197-146	DCM-27P2S-1A5N-A191-A197	DCM-27P2S-1A5N-A191-A197-146	DCM-27P2S-1APN-A191-A197	DCM-27P2S-1APN-A191-A197-146

For performance class 1 replace A191 with A190.  
For performance class 3 delete A191.

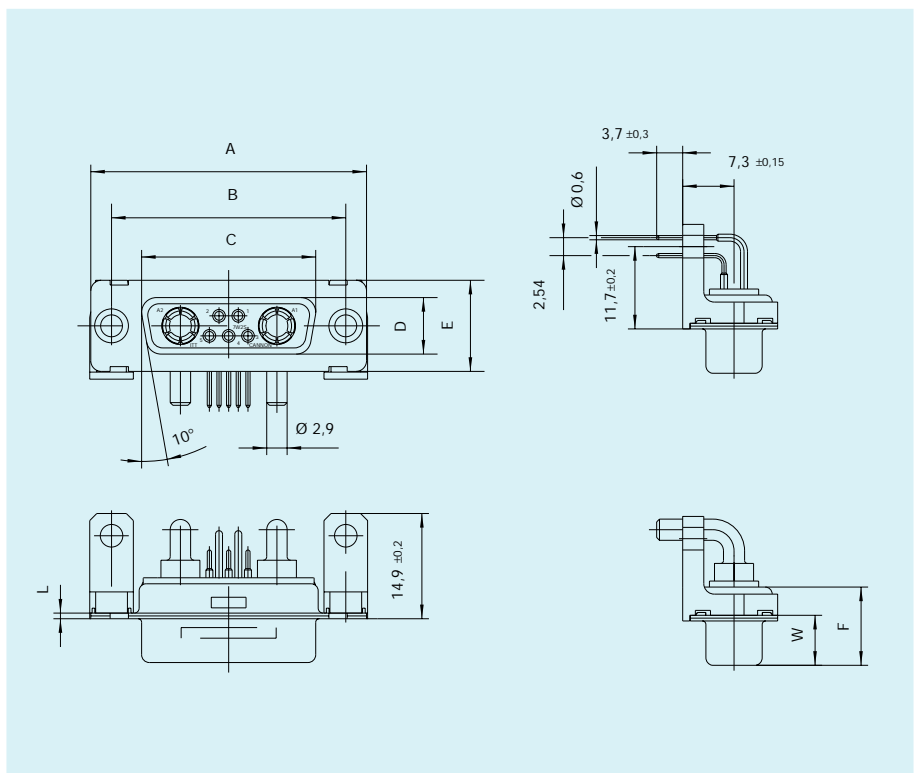
For pushfit 90° hole diameter 3,2 mm replace 146 with 162.

For captive nut 4-40 UNC replace 1ATN with 1AUN and 1APN with 1A6N.

Socket



- For contact cavity arrangements, see page 53.
- For pcb hole pattern, see page 72 – 75.
- For mounting methods, see page 86 – 87.
- For panel cut-outs, see our D Subminiature catalogue.



Dimensions

Shell size	A	B	C	D	E	F	L	W
	±0,38	±0,13	±0,13	±0,13	±0,13	±0,25	+0,2	±0,4
DE	30,8	16,35	25	7,9	12,55	10,9	0,8	6,95
DA	39,15	24,65	33,3	7,9	12,55	10,9	0,8	6,95
DB	53,05	38,4	47,05	7,9	12,55	10,9	0,8	6,95
DC	69,3	54,85	63,5	7,9	12,55	10,9	0,8	6,95

## 40 A High power 90° – European footprint, size DD, with plastic bracket

### Part numbers with plastic bracket and captive nut M3

### Part numbers with plastic bracket with bushing diam. 3,05

### Part numbers with plastic bracket with post M3

Shell size	Layout	P/N without pushfit	P/N with pushfit	P/N without pushfit	P/N with pushfit	P/N without pushfit	P/N with pushfit
DD	24W7	DDM-24P7P-1ATN-A191-K87	DDM-24P7P-1ATN-A191-K87-146	DDM-24P7P-1A5N-A191-K87	DDM-24P7P-1A5N-A191-K87-146	DDM-24P7P-1APN-A191-K87	DDM-24P7P-1APN-A191-K87-146
DD	36W4	DDM-36P4P-1ATN-A191-K87	DDM-36P4P-1ATN-A191-K87-146	DDM-36P4P-1A5N-A191-K87	DDM-36P4P-1A5N-A191-K87-146	DDM-36P4P-1APN-A191-K87	DDM-36P4P-1APN-A191-K87-146
DD	43W2	DDM-43P2P-1ATN-A191-K87	DDM-43P2P-1ATN-A191-K87-146	DDM-43P2P-1A5N-A191-K87	DDM-43P2P-1A5N-A191-K87-146	DDM-43P2P-1APN-A191-K87	DDM-43P2P-1APN-A191-K87-146
DD	47W1	DDM-47P1P-1ATN-A191-K87	DDM-47P1P-1ATN-A191-K87-146	DDM-47P1P-1A5N-A191-K87	DDM-47P1P-1A5N-A191-K87-146	DDM-47P1P-1APN-A191-K87	DDM-47P1P-1APN-A191-K87-146

For performance class 1 replace A191 with A190.  
For performance class 3 delete A191.

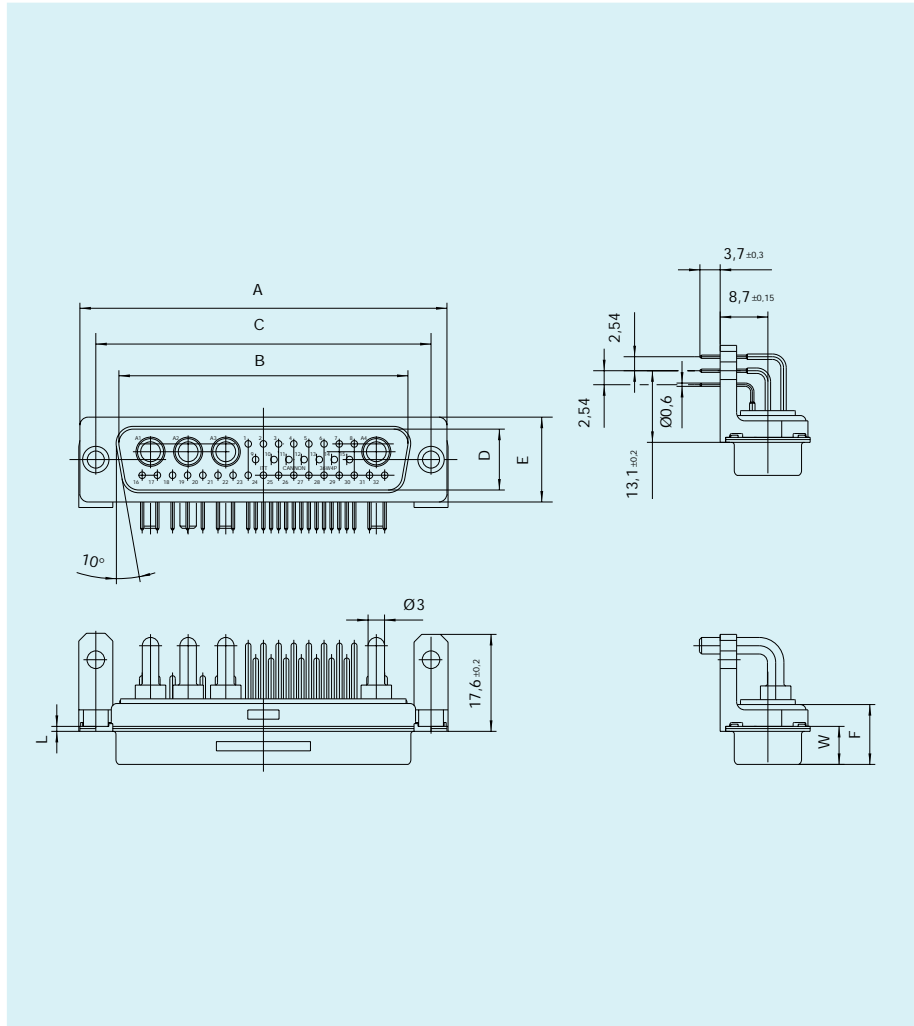
For pushfit 90° hole diameter 3,2 mm replace 146 with 162.

For captive nut 4-40 UNC replace 1ATN with 1AUN and 1APN with 1A6N.

### Pin



- For contact cavity arrangements, see page 52.
- For pcb hole pattern, see page 68 – 71.
- For mounting methods, see page 86 – 87.
- For panel cut-outs, see our D Subminiature catalogue.



### Dimensions

Shell size	A	B	C	D	E	F	L	W
DD	±0,38	±0,13	±0,13	±0,13	±0,13	±0,25	+ 0,2	±0,4
DD	66,95	52,8	61,1	11,1	15,4	10,8	0,9	6,85

## 40 A High power 90° – European footprint, size DD, with plastic bracket

Part numbers with plastic bracket and captive nut M3

Part numbers with plastic bracket with bushing diam. 3,05

Part numbers with plastic bracket with post M3

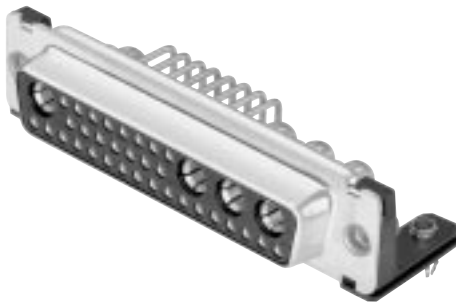
Shell size	Layout	P/N without pushfit	P/N with pushfit	P/N without pushfit	P/N with pushfit	P/N without pushfit	P/N with pushfit
DD	24W7	DDM-24P7S-1ATN-A191-A197	DDM-24P7S-1ATN-A191-A197-146	DDM-24P7S-1A5N-A191-A197	DDM-24P7S-1A5N-A191-A197-146	DDM-24P7S-1APN-A191-A197	DDM-24P7S-1APN-A191-A197-146
DD	36W4	DDM-36P4S-1ATN-A191-A197	DDM-36P4S-1ATN-A191-A197-146	DDM-36P4S-1A5N-A191-A197	DDM-36P4S-1A5N-A191-A197-146	DDM-36P4S-1APN-A191-A197	DDM-36P4S-1APN-A191-A197-146
DD	43W2	DDM-43P2S-1ATN-A191-A197	DDM-43P2S-1ATN-A191-A197-146	DDM-43P2S-1A5N-A191-A197	DDM-43P2S-1A5N-A191-A197-146	DDM-43P2S-1APN-A191-A197	DDM-43P2S-1APN-A191-A197-146
DD	47W1	DDM-47P1S-1ATN-A191-A197	DDM-47P1S-1ATN-A191-A197-146	DDM-47P1S-1A5N-A191-A197	DDM-47P1S-1A5N-A191-A197-146	DDM-47P1S-1APN-A191-A197	DDM-47P1S-1APN-A191-A197-146

For performance class 1 replace A191 with A190.  
For performance class 3 delete A191.

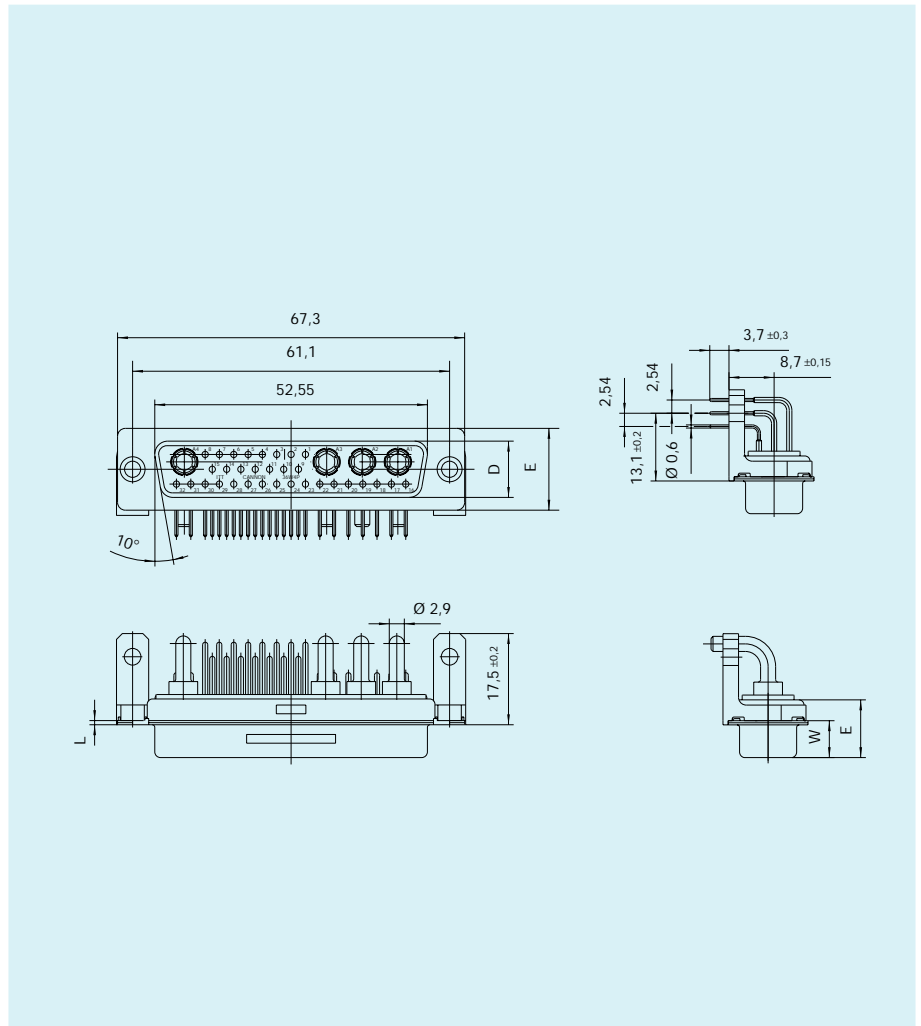
For pushfit 90° hole diameter 3,2 mm replace 146 with 162.

For captive nut 4-40 UNC replace 1ATN with 1AUN and 1APN with 1A6N.

### Socket



- For contact cavity arrangements, see page 53.
- For pcb hole pattern, see page 72 – 75.
- For mounting methods, see page 86 – 87.
- For panel cut-outs, see our D Subminiature catalogue.



### Dimensions

Shell size	A	B	C	D	E	F	L	W
	±0,38	±0,13	±0,13	±0,13	±0,13	±0,25	+0,2	±0,4
DD	66,95	52,4	61,1	10,75	15,4	10,9	0,8	6,95

40 A High power 90° – European footprint, sizes DE – DC, with plastic bracket and grounding bracket

Part numbers with plastic bracket with grounding bracket and captive nut M3

Part numbers with plastic bracket with grounding bracket with bushing diam. 3,05

Part numbers with plastic bracket with grounding bracket with post M3

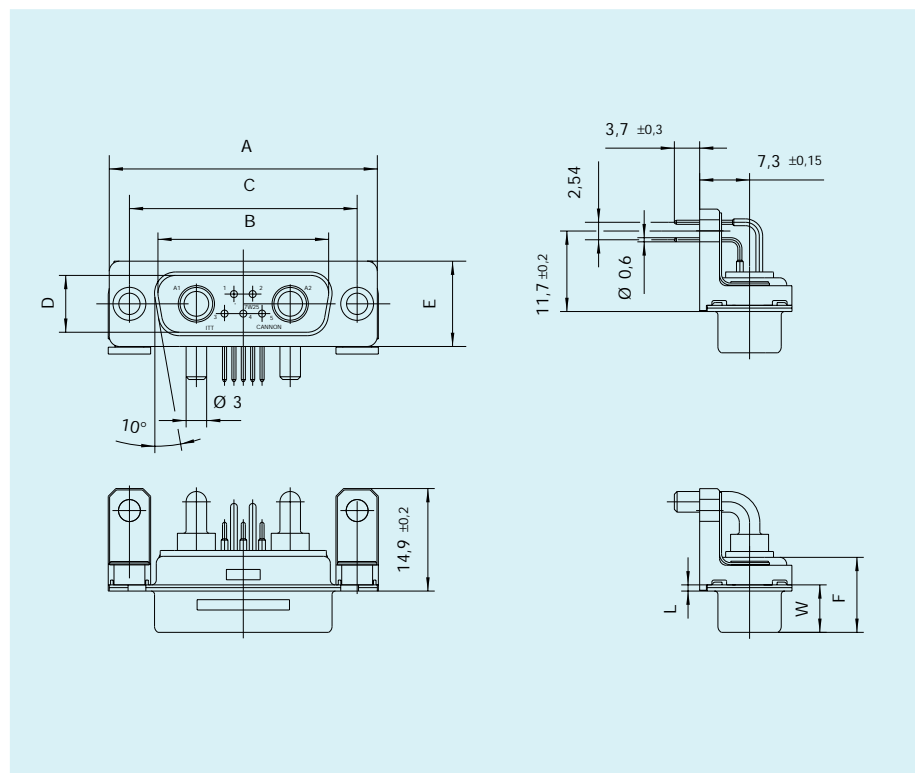
Shell size	Layout	P/N without pushfit	P/N with pushfit	P/N without pushfit	P/N with pushfit	P/N without pushfit	P/N with pushfit
DE	5W1	DEM-5P1P-1AVN-A191-K87	DEM-5P1P-1AVN-A191-K87-146	DEM-5P1P-1ADN-A191-K87	DEM-5P1P-1ADN-A191-K87-146	DEM-5P1P-1AGN-A191-K87	DEM-5P1P-1AGN-A191-K87-146
DA	7W2	DAM-7P2P-1AVN-A191-K87	DAM-7P2P-1AVN-A191-K87-146	DAM-7P2P-1ADN-A191-K87	DAM-7P2P-1ADN-A191-K87-146	DAM-7P2P-1AGN-A191-K87	DAM-7P2P-1AGN-A191-K87-146
DA	11W1	DAM-11P1P-1AVN-A191-K87	DAM-11P1P-1AVN-A191-K87-146	DAM-11P1P-1ADN-A191-K87	DAM-11P1P-1ADN-A191-K87-146	DAM-11P1P-1AGN-A191-K87	DAM-11P1P-1AGN-A191-K87-146
DA	3W3	DAM-3P3P-1AVN-A191-K87	DAM-3P3P-1AVN-A191-K87-146	DAM-3P3P-1ADN-A191-K87	DAM-3P3P-1ADN-A191-K87-146	DAM-3P3P-1AGN-A191-K87	DAM-3P3P-1AGN-A191-K87-146
DA	3WK3	DAM-3PK3P-1AVN-A191-K87	DAM-3PK3P-1AVN-A191-K87-146	DAM-3PK3P-1ADN-A191-K87	DAM-3PK3P-1ADN-A191-K87-146	DAM-3PK3P-1AGN-A191-K87	DAM-3PK3P-1AGN-A191-K87-146
DB	5W5	DBM-5P5P-1AVN-A191-K87	DBM-5P5P-1AVN-A191-K87-146	DBM-5P5P-1ADN-A191-K87	DBM-5P5P-1ADN-A191-K87-146	DBM-5P5P-1AGN-A191-K87	DBM-5P5P-1AGN-A191-K87-146
DB	9W4	DBM-9P4P-1AVN-A191-K87	DBM-9P4P-1AVN-A191-K87-146	DBM-9P4P-1ADN-A191-K87	DBM-9P4P-1ADN-A191-K87-146	DBM-9P4P-1AGN-A191-K87	DBM-9P4P-1AGN-A191-K87-146
DB	13W3	DBM-13P3P-1AVN-A191-K87	DBM-13P3P-1AVN-A191-K87-146	DBM-13P3P-1ADN-A191-K87	DBM-13P3P-1ADN-A191-K87-146	DBM-13P3P-1AGN-A191-K87	DBM-13P3P-1AGN-A191-K87-146
DB	17W2	DBM-17P2P-1AVN-A191-K87	DBM-17P2P-1AVN-A191-K87-146	DBM-17P2P-1ADN-A191-K87	DBM-17P2P-1ADN-A191-K87-146	DBM-17P2P-1AGN-A191-K87	DBM-17P2P-1AGN-A191-K87-146
DB	21W1	DBM-21P1P-1AVN-A191-K87	DBM-21P1P-1AVN-A191-K87-146	DBM-21P1P-1ADN-A191-K87	DBM-21P1P-1ADN-A191-K87-146	DBM-21P1P-1AGN-A191-K87	DBM-21P1P-1AGN-A191-K87-146
DC	8W8	DCM-8P8P-1AVN-A191-K87	DCM-8P8P-1AVN-A191-K87-146	DCM-8P8P-1ADN-A191-K87	DCM-8P8P-1ADN-A191-K87-146	DCM-8P8P-1AGN-A191-K87	DCM-8P8P-1AGN-A191-K87-146
DC	13W6	DCM-13P6P-1AVN-A191-K87	DCM-13P6P-1AVN-A191-K87-146	DCM-13P6P-1ADN-A191-K87	DCM-13P6P-1ADN-A191-K87-146	DCM-13P6P-1AGN-A191-K87	DCM-13P6P-1AGN-A191-K87-146
DC	17W5	DCM-17P5P-1AVN-A191-K87	DCM-17P5P-1AVN-A191-K87-146	DCM-17P5P-1ADN-A191-K87	DCM-17P5P-1ADN-A191-K87-146	DCM-17P5P-1AGN-A191-K87	DCM-17P5P-1AGN-A191-K87-146
DC	21WA4	DCM-21PA4P-1AVN-A191-K87	DCM-21PA4P-1AVN-A191-K87-146	DCM-21PA4P-1ADN-A191-K87	DCM-21PA4P-1ADN-A191-K87-146	DCM-21PA4P-1AGN-A191-K87	DCM-21PA4P-1AGN-A191-K87-146
DC	25W3	DCM-25P3P-1AVN-A191-K87	DCM-25P3P-1AVN-A191-K87-146	DCM-25P3P-1ADN-A191-K87	DCM-25P3P-1ADN-A191-K87-146	DCM-25P3P-1AGN-A191-K87	DCM-25P3P-1AGN-A191-K87-146
DC	27W2	DCM-27P2P-1AVN-A191-K87	DCM-27P2P-1AVN-A191-K87-146	DCM-27P2P-1ADN-A191-K87	DCM-27P2P-1ADN-A191-K87-146	DCM-27P2P-1AGN-A191-K87	DCM-27P2P-1AGN-A191-K87-146

For performance class 1 replace A191 with A190.  
For performance class 3 delete A191.

For post 4-40 UNC thread replace 1AVN with 1AWN and 1AGN with 1AJN.

For pushfit 90° hole diameter 3,2 mm replace 146 with 162.

## Pin



- For contact cavity arrangements, see page 52.
- For pcb hole pattern, see page 68 – 71.
- For mounting methods, see page 86 – 87.
- For panel cut-outs, see our D Subminiature catalogue.

## Dimensions

Shell size	A ± 0,38	B ± 0,13	C ± 0,13	D ± 0,13	E ± 0,13	F ± 0,25	L + 0,2	W ± 0,4
DE	30,8	16,9	25	8,35	12,55	10,7	0,8	6,7
DA	39,15	25,25	33,3	8,35	12,55	10,7	0,8	6,7
DB	53,05	38,95	47,05	8,35	12,55	10,8	0,9	6,8
DC	69,3	55,4	63,5	8,35	12,55	10,8	0,9	6,8

40 A High power 90° – European footprint, sizes DE – DC, with plastic bracket and grounding bracket

Part numbers with plastic bracket with grounding bracket and captive nut M3

Part numbers with plastic bracket with grounding bracket with bushing diam. 3,05

Part numbers with plastic bracket with grounding bracket with post M3

Shell size	Layout	P/N without pushfit	P/N with pushfit	P/N without pushfit	P/N with pushfit	P/N without pushfit	P/N with pushfit
DE	5W1	DEM-5P1S-1AVN-A191-A197	DEM-5P1S-1AVN-A191-A197-146	DEM-5P1S-1ADN-A191-A197	DEM-5P1S-1ADN-A191-A197-146	DEM-5P1S-1AGN-A191-A197	DEM-5P1S-1AGN-A191-A197-146
DA	7W2	DAM-7P2S-1AVN-A191-A197	DAM-7P2S-1AVN-A191-A197-146	DAM-7P2S-1ADN-A191-A197	DAM-7P2S-1ADN-A191-A197-146	DAM-7P2S-1AGN-A191-A197	DAM-7P2S-1AGN-A191-A197-146
DA	11W1	DAM-11P1S-1AVN-A191-A197	DAM-11P1S-1AVN-A191-A197-146	DAM-11P1S-1ADN-A191-A197	DAM-11P1S-1ADN-A191-A197-146	DAM-11P1S-1AGN-A191-A197	DAM-11P1S-1AGN-A191-A197-146
DA	3W3	DAM-3P3S-1AVN-A191-A197	DAM-3P3S-1AVN-A191-A197-146	DAM-3P3S-1ADN-A191-A197	DAM-3P3S-1ADN-A191-A197-146	DAM-3P3S-1AGN-A191-A197	DAM-3P3S-1AGN-A191-A197-146
DA	3WK3	DAM-3PK3S-1AVN-A191-A197	DAM-3PK3S-1AVN-A191-A197-146	DAM-3PK3S-1ADN-A191-A197	DAM-3PK3S-1ADN-A191-A197-146	DAM-3PK3S-1AGN-A191-A197	DAM-3PK3S-1AGN-A191-A197-146
DB	5W5	DBM-5P5S-1AVN-A191-A197	DBM-5P5S-1AVN-A191-A197-146	DBM-5P5S-1ADN-A191-A197	DBM-5P5S-1ADN-A191-A197-146	DBM-5P5S-1AGN-A191-A197	DBM-5P5S-1AGN-A191-A197-146
DB	9W4	DBM-9P4S-1AVN-A191-A197	DBM-9P4S-1AVN-A191-A197-146	DBM-9P4S-1ADN-A191-A197	DBM-9P4S-1ADN-A191-A197-146	DBM-9P4S-1AGN-A191-A197	DBM-9P4S-1AGN-A191-A197-146
DB	13W3	DBM-13P3S-1AVN-A191-A197	DBM-13P3S-1AVN-A191-A197-146	DBM-13P3S-1ADN-A191-A197	DBM-13P3S-1ADN-A191-A197-146	DBM-13P3S-1AGN-A191-A197	DBM-13P3S-1AGN-A191-A197-146
DB	17W2	DBM-17P2S-1AVN-A191-A197	DBM-17P2S-1AVN-A191-A197-146	DBM-17P2S-1ADN-A191-A197	DBM-17P2S-1ADN-A191-A197-146	DBM-17P2S-1AGN-A191-A197	DBM-17P2S-1AGN-A191-A197-146
DB	21W1	DBM-21P1S-1AVN-A191-A197	DBM-21P1S-1AVN-A191-A197-146	DBM-21P1S-1ADN-A191-A197	DBM-21P1S-1ADN-A191-A197-146	DBM-21P1S-1AGN-A191-A197	DBM-21P1S-1AGN-A191-A197-146
DC	8W8	DCM-8P8S-1AVN-A191-A197	DCM-8P8S-1AVN-A191-A197-146	DCM-8P8S-1ADN-A191-A197	DCM-8P8S-1ADN-A191-A197-146	DCM-8P8S-1AGN-A191-A197	DCM-8P8S-1AGN-A191-A197-146
DC	13W6	DCM-13P6S-1AVN-A191-A197	DCM-13P6S-1AVN-A191-A197-146	DCM-13P6S-1ADN-A191-A197	DCM-13P6S-1ADN-A191-A197-146	DCM-13P6S-1AGN-A191-A197	DCM-13P6S-1AGN-A191-A197-146
DC	17W5	DCM-17P5S-1AVN-A191-A197	DCM-17P5S-1AVN-A191-A197-146	DCM-17P5S-1ADN-A191-A197	DCM-17P5S-1ADN-A191-A197-146	DCM-17P5S-1AGN-A191-A197	DCM-17P5S-1AGN-A191-A197-146
DC	21W4	DCM-21PA4S-1AVN-A191-A197	DCM-21PA4S-1AVN-A191-A197-146	DCM-21PA4S-1ADN-A191-A197	DCM-21PA4S-1ADN-A191-A197-146	DCM-21PA4S-1AGN-A191-A197	DCM-21PA4S-1AGN-A191-A197-146
DC	25W3	DCM-25P3S-1AVN-A191-A197	DCM-25P3S-1AVN-A191-A197-146	DCM-25P3S-1ADN-A191-A197	DCM-25P3S-1ADN-A191-A197-146	DCM-25P3S-1AGN-A191-A197	DCM-25P3S-1AGN-A191-A197-146
DC	27W2	DCM-27P2S-1AVN-A191-A197	DCM-27P2S-1AVN-A191-A197-146	DCM-27P2S-1ADN-A191-A197	DCM-27P2S-1ADN-A191-A197-146	DCM-27P2S-1AGN-A191-A197	DCM-27P2S-1AGN-A191-A197-146

For performance class 1 replace A191 with A190.  
For performance class 3 delete A191.

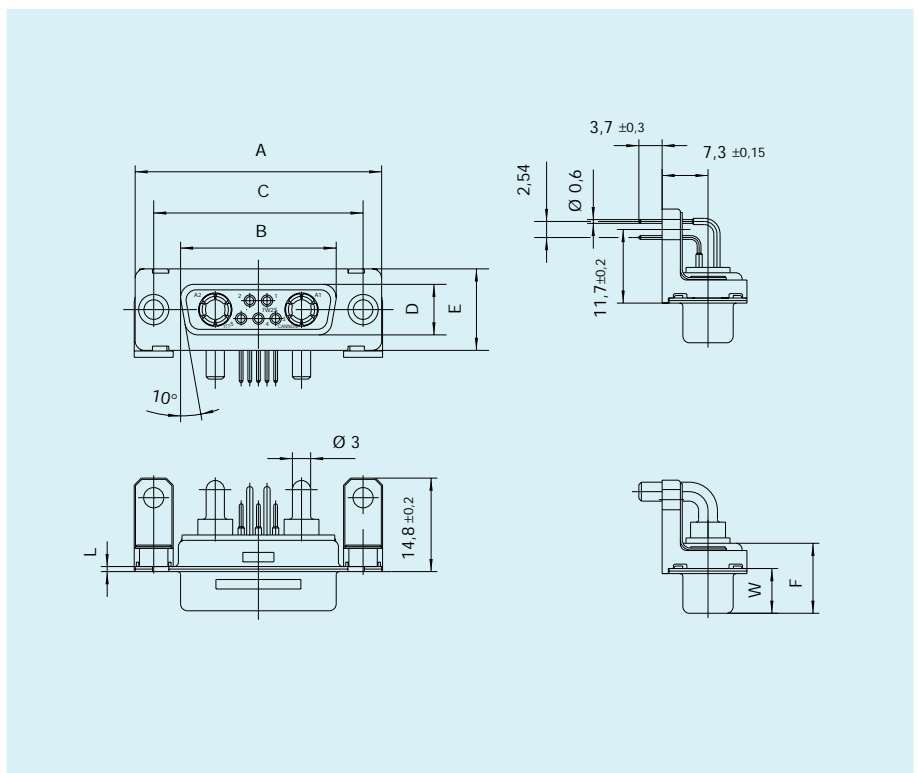
For post 4-40 UNC thread replace 1AVN with 1AWN and 1AGN with 1AJN.

For pushfit 90° hole diameter 3,2 mm replace 146 with 162.

Socket



- For contact cavity arrangements, see page 53.
- For pcb hole pattern, see page 72 – 75.
- For mounting methods, see page 86 – 87.
- For panel cut-outs, see our D Subminiature catalogue.



Dimensions

Shell size	A	B	C	D	E	F	L	W
	± 0,38	± 0,13	± 0,13	± 0,13	± 0,13	± 0,25	+ 0,2	± 0,4
DE	30,8	16,35	25	7,9	12,55	10,9	0,8	6,95
DA	39,15	24,65	33,3	7,9	12,55	10,9	0,8	6,95
DB	53,05	38,4	47,05	7,9	12,55	10,9	0,8	6,95
DC	69,3	54,85	63,5	7,9	12,55	10,9	0,8	6,95



## 40 A High power 90° – European footprint, size DD, with plastic bracket and grounding bracket

Part numbers with plastic bracket with grounding bracket and captive nut M3

Part numbers with plastic bracket with grounding bracket with bushing diam. 3,05

Part numbers with plastic bracket with grounding bracket with post M3

Shell size	Layout	P/N without pushfit	P/N with pushfit	P/N without pushfit	P/N with pushfit	P/N without pushfit	P/N with pushfit
DD	24W7	DDM-24P7P-1AVN-A191-K87	DDM-24P7P-1AVN-A191-K87-146	DDM-24P7P-1ADN-A191-K87	DDM-24P7P-1ADN-A191-K87-146	DDM-24P7P-1AGN-A191-K87	DDM-24P7P-1AGN-A191-K87-146
DD	36W4	DDM-36P4P-1AVN-A191-K87	DDM-36P4P-1AVN-A191-K87-146	DDM-36P4P-1ADN-A191-K87	DDM-36P4P-1ADN-A191-K87-146	DDM-36P4P-1AGN-A191-K87	DDM-36P4P-1AGN-A191-K87-146
DD	43W2	DDM-43P2P-1AVN-A191-K87	DDM-43P2P-1AVN-A191-K87-146	DDM-43P2P-1ADN-A191-K87	DDM-43P2P-1ADN-A191-K87-146	DDM-43P2P-1AGN-A191-K87	DDM-43P2P-1AGN-A191-K87-146
DD	47W1	DDM-47P1P-1AVN-A191-K87	DDM-47P1P-1AVN-A191-K87-146	DDM-47P1P-1ADN-A191-K87	DDM-47P1P-1ADN-A191-K87-146	DDM-47P1P-1AGN-A191-K87	DDM-47P1P-1AGN-A191-K87-146

For performance class 1 replace A191 with A190.  
For performance class 3 delete A191.

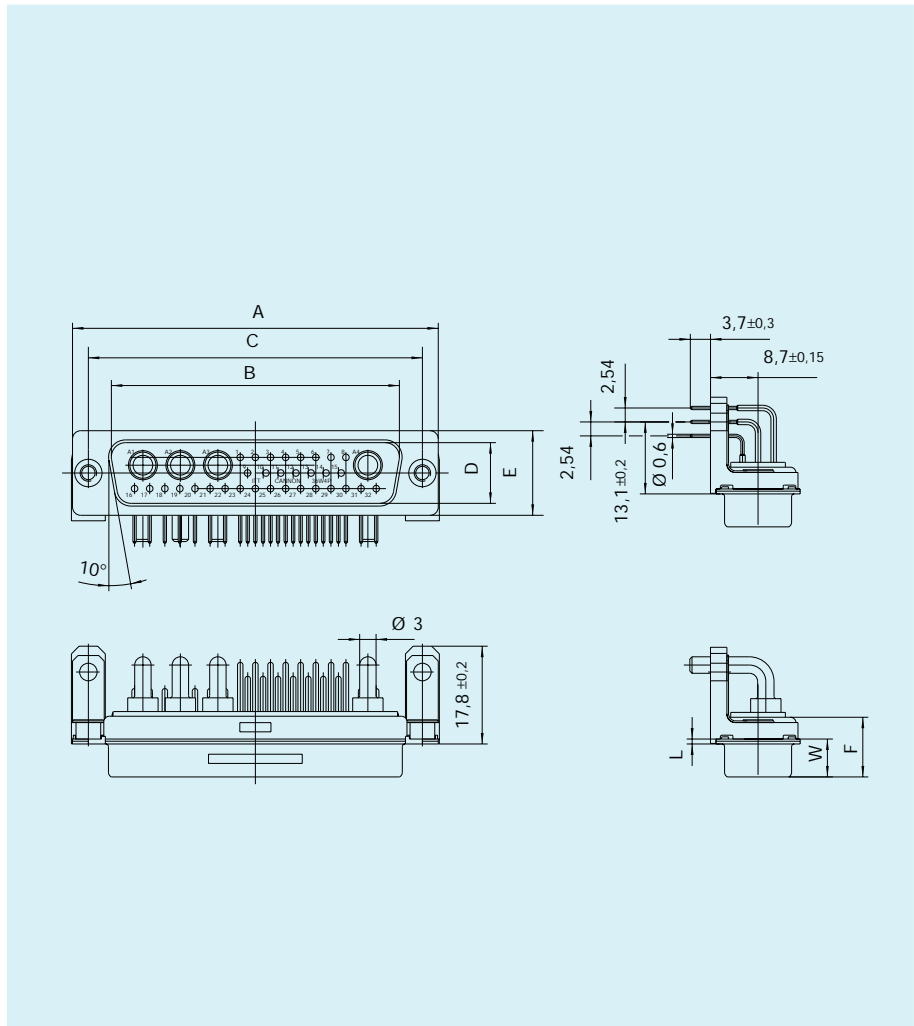
For post 4-40 UNC thread replace 1AVN with 1AWN and 1AGN with 1AJN.

For pushfit 90° hole diameter 3,2 mm replace 146 with 162.

### Pin



- For contact cavity arrangements, see page 52.
- For pcb hole pattern, see page 68 – 71.
- For mounting methods, see page 86 – 87.
- For panel cut-outs, see our D Subminiature catalogue.



### Dimensions

Shell size	A	B	C	D	E	F	L	W
	±0,38	±0,13	±0,13	±0,13	±0,13	±0,25	+0,2	±0,4
DD	66,95	52,8	61,1	11,1	15,4	10,8	0,9	6,85

## 40 A High power 90° – European footprint, size DD, with plastic bracket and grounding bracket

### Part numbers with plastic bracket with grounding bracket and captive nut M3

### Part numbers with plastic bracket with grounding bracket with bushing diam. 3,05

### Part numbers with plastic bracket with grounding bracket with post M3

Shell size	Layout	P/N without pushfit	P/N with pushfit	P/N without pushfit	P/N with pushfit	P/N without pushfit	P/N with pushfit
DD	24W7	DDM-24P7S-1AVN-A191-A197	DDM-24P7S-1AVN-A191-A197-146	DDM-24P7S-1ADN-A191-A197	DDM-24P7S-1ADN-A191-A197-146	DDM-24P7S-1AGN-A191-A197	DDM-24P7S-1AGN-A191-A197-146
DD	36W4	DDM-36P4S-1AVN-A191-A197	DDM-36P4S-1AVN-A191-A197-146	DDM-36P4S-1ADN-A191-A197	DDM-36P4S-1ADN-A191-A197-146	DDM-36P4S-1AGN-A191-A197	DDM-36P4S-1AGN-A191-A197-146
DD	43W2	DDM-43P2S-1AVN-A191-A197	DDM-43P2S-1AVN-A191-A197-146	DDM-43P2S-1ADN-A191-A197	DDM-43P2S-1ADN-A191-A197-146	DDM-43P2S-1AGN-A191-A197	DDM-43P2S-1AGN-A191-A197-146
DD	47W1	DDM-47P1S-1AVN-A191-A197	DDM-47P1S-1AVN-A191-A197-146	DDM-47P1S-1ADN-A191-A197	DDM-47P1S-1ADN-A191-A197-146	DDM-47P1S-1AGN-A191-A197	DDM-47P1S-1AGN-A191-A197-146

For performance class 1 replace A191 with A190.  
For performance class 3 delete A191.

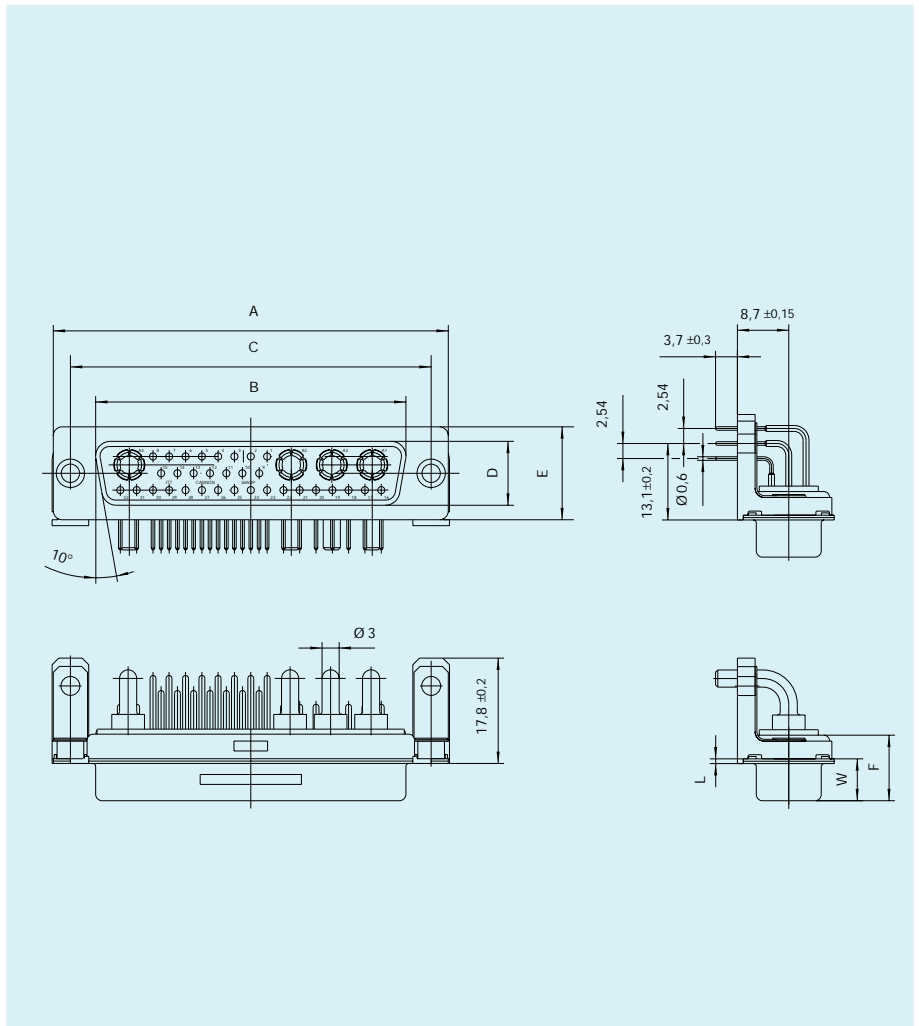
For post 4-40 UNC thread replace 1AVN with 1AWN and 1AGN with 1AJN.

For pushfit 90° hole diameter 3,2 mm replace 146 with 162.

### Socket



- For contact cavity arrangements, see page 53.
- For pcb hole pattern, see page 72 – 75.
- For mounting methods, see page 86 – 87.
- For panel cut-outs, see our D Subminiature catalogue.



### Dimensions

Shell size	A	B	C	D	E	F	L	W
	±0,38	±0,13	±0,13	±0,13	±0,13	±0,25	+0,2	±0,4
DD	66,95	52,4	61,1	10,75	15,4	10,9	0,8	6,95

40 A High power straight – European solder pins, sizes DE – DC

Part numbers with straight contacts

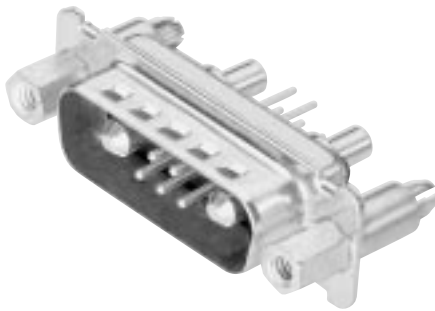
Shell size	Layout	with standoff M3	with standoff M3 with pushfit	standoff, M3 post and pushfit	with M3 clinch nut	with through hole 3,05 mm
DE	5W1	DEMT-5H1P-OL4-A191-K87	DEMQ-5H1P-OL4-A191-K87	DEMU-5H1P-OL4-A191-K87	DEMX-5H1P-OL4-A191-K87	DEM-5H1P-OL4-A191-K87
DA	7W2	DAMT-7H2P-OL4-A191-K87	DAMQ-7H2P-OL4-A191-K87	DAMU-7H2P-OL4-A191-K87	DAMX-7H2P-OL4-A191-K87	DAM-7H2P-OL4-A191-K87
DA	11W1	DAMT-11H1P-OL4-A191-K87	DAMQ-11H1P-OL4-A191-K87	DAMU-11H1P-OL4-A191-K87	DAMX-11H1P-OL4-A191-K87	DAM-11H1P-OL4-A191-K87
DA	3W3	DAMT-3H3P-OL4-A191-K87	DAMQ-3H3P-OL4-A191-K87	DAMU-3H3P-OL4-A191-K87	DAMX-3H3P-OL4-A191-K87	DAM-3H3P-OL4-A191-K87
DA	3WK3	DAMT-3HK3P-OL4-A191-K87	DAMQ-3HK3P-OL4-A191-K87	DAMU-3HK3P-OL4-A191-K87	DAMX-3HK3P-OL4-A191-K87	DAM-3HK3P-OL4-A191-K87
DB	5W5	DBMT-5H5P-OL4-A191-K87	DBMQ-5H5P-OL4-A191-K87	DBMU-5H5P-OL4-A191-K87	DBMX-5H5P-OL4-A191-K87	DBM-5H5P-OL4-A191-K87
DB	9W4	DBMT-9H4P-OL4-A191-K87	DBMQ-9H4P-OL4-A191-K87	DBMU-9H4P-OL4-A191-K87	DBMX-9H4P-OL4-A191-K87	DBM-9H4P-OL4-A191-K87
DB	13W3	DBMT-13H3P-OL4-A191-K87	DBMQ-13H3P-OL4-A191-K87	DBMU-13H3P-OL4-A191-K87	DBMX-13H3P-OL4-A191-K87	DBM-13H3P-OL4-A191-K87
DB	17W2	DBMT-17H2P-OL4-A191-K87	DBMQ-17H2P-OL4-A191-K87	DBMU-17H2P-OL4-A191-K87	DBMX-17H2P-OL4-A191-K87	DBM-17H2P-OL4-A191-K87
DB	21W1	DBMT-21H1P-OL4-A191-K87	DBMQ-21H1P-OL4-A191-K87	DBMU-21H1P-OL4-A191-K87	DBMX-21H1P-OL4-A191-K87	DBM-21H1P-OL4-A191-K87
DC	8W8	DCMT-8H8P-OL4-A191-K87	DCMQ-8H8P-OL4-A191-K87	DCMU-8H8P-OL4-A191-K87	DCMX-8H8P-OL4-A191-K87	DCM-8H8P-OL4-A191-K87
DC	13W6	DCMT-13H6P-OL4-A191-K87	DCMQ-13H6P-OL4-A191-K87	DCMU-13H6P-OL4-A191-K87	DCMX-13H6P-OL4-A191-K87	DCM-13H6P-OL4-A191-K87
DC	17W5	DCMT-17H5P-OL4-A191-K87	DCMQ-17H5P-OL4-A191-K87	DCMU-17H5P-OL4-A191-K87	DCMX-17H5P-OL4-A191-K87	DCM-17H5P-OL4-A191-K87
DC	21WA4	DCMT-21HA4P-OL4-A191-K87	DCMQ-21HA4P-OL4-A191-K87	DCMU-21HA4P-OL4-A191-K87	DCMX-21HA4P-OL4-A191-K87	DCM-21HA4P-OL4-A191-K87
DC	25W3	DCMT-25H3P-OL4-A191-K87	DCMQ-25H3P-OL4-A191-K87	DCMU-25H3P-OL4-A191-K87	DCMX-25H3P-OL4-A191-K87	DCM-25H3P-OL4-A191-K87
DC	27W2	DCMT-27H2P-OL4-A191-K87	DCMQ-27H2P-OL4-A191-K87	DCMU-27H2P-OL4-A191-K87	DCMX-27H2P-OL4-A191-K87	DCM-27H2P-OL4-A191-K87

For performance class 1 replace A191 with A190.  
For performance class 3 delete A191.

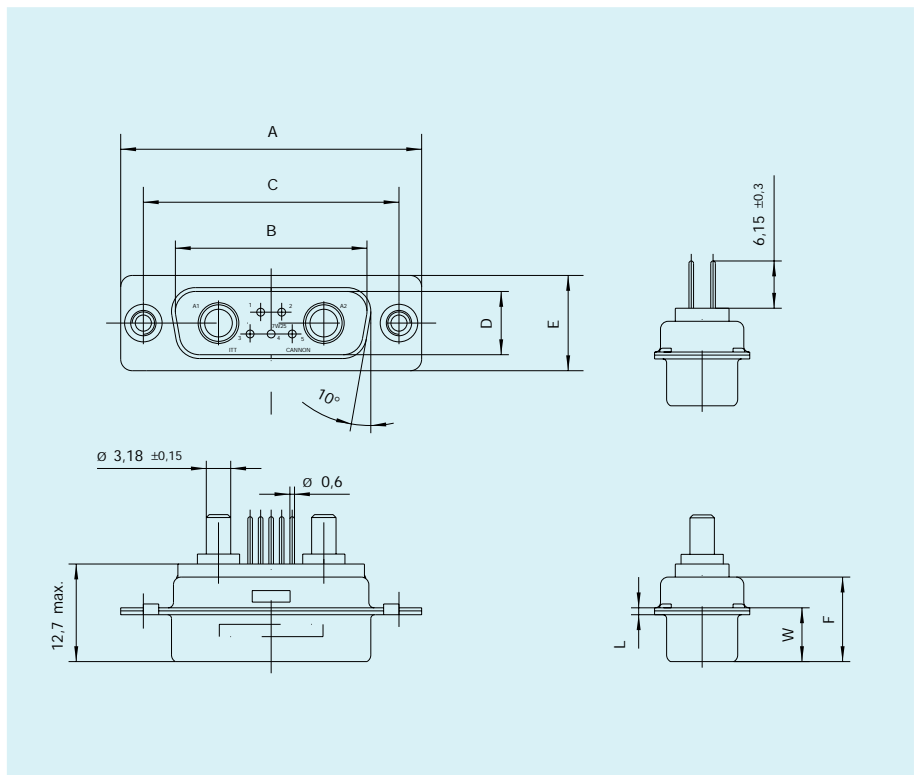
For standoff 4-40 UNC thread replace T with V.  
For standoff, 4-40 UNC thread post and pushfit replace U with N.

For 4-40 UNC thread standoff with pushfit replace Q with Z.  
For captive nut 4-40 UNC replace X with E.

Pin



- For contact cavity arrangements, see page 52.
- For pcb hole pattern, see page 68 – 71.
- For mounting methods, see page 86 – 87.
- For panel cut-outs, see our D Subminiature catalogue.



Dimensions

Shell size	A ± 0,38	B ± 0,13	C ± 0,13	D ± 0,13	E ± 0,13	F ± 0,25	L + 0,2	W ± 0,4
DE	30,8	16,9	25	8,35	12,55	10,7	0,8	6,7
DA	39,15	25,25	33,3	8,35	12,55	10,7	0,8	6,7
DB	53,05	38,95	47,05	8,35	12,55	10,8	0,9	6,8
DC	69,3	55,4	63,5	8,35	12,55	10,8	0,9	6,8

40 A High power straight – European solder pins, sizes DE – DC

Part numbers with straight contacts

Shell size	Layout	with standoff M3	with standoff M3 with pushfit	standoff, M3 post and pushfit	with M3 clinch nut	with through hole 3,05 mm
DE	5W1	DEMT-5H1S-OL4-A191-A197	DEMQ-5H1S-OL4-A191-A197	DEMU-5H1S-OL4-A191-A197	DEMX-5H1S-OL4-A191-A197	DEM-5H1S-OL4-A191-A197
DA	7W2	DAMT-7H2S-OL4-A191-A197	DAMQ-7H2S-OL4-A191-A197	DAMU-7H2S-OL4-A191-A197	DAMX-7H2S-OL4-A191-A197	DAM-7H2S-OL4-A191-A197
DA	11W1	DAMT-11H1S-OL4-A191-A197	DAMQ-11H1S-OL4-A191-A197	DAMU-11H1S-OL4-A191-A197	DAMX-11H1S-OL4-A191-A197	DAM-11H1S-OL4-A191-A197
DA	3W3	DAMT-3H3S-OL4-A191-A197	DAMQ-3H3S-OL4-A191-A197	DAMU-3H3S-OL4-A191-A197	DAMX-3H3S-OL4-A191-A197	DAM-3H3S-OL4-A191-A197
DA	3WK3	DAMT-3HK3S-OL4-A191-A197	DAMQ-3HK3S-OL4-A191-A197	DAMU-3HK3S-OL4-A191-A197	DAMX-3HK3S-OL4-A191-A197	DAM-3HK3S-OL4-A191-A197
DB	5W5	DBMT-5H5S-OL4-A191-A197	DBMQ-5H5S-OL4-A191-A197	DBMU-5H5S-OL4-A191-A197	DBMX-5H5S-OL4-A191-A197	DBM-5H5S-OL4-A191-A197
DB	9W4	DBMT-9H4S-OL4-A191-A197	DBMQ-9H4S-OL4-A191-A197	DBMU-9H4S-OL4-A191-A197	DBMX-9H4S-OL4-A191-A197	DBM-9H4S-OL4-A191-A197
DB	13W3	DBMT-13H3S-OL4-A191-A197	DBMQ-13H3S-OL4-A191-A197	DBMU-13H3S-OL4-A191-A197	DBMX-13H3S-OL4-A191-A197	DBM-13H3S-OL4-A191-A197
DB	17W2	DBMT-17H2S-OL4-A191-A197	DBMQ-17H2S-OL4-A191-A197	DBMU-17H2S-OL4-A191-A197	DBMX-17H2S-OL4-A191-A197	DBM-17H2S-OL4-A191-A197
DB	21W1	DBMT-21H1S-OL4-A191-A197	DBMQ-21H1S-OL4-A191-A197	DBMU-21H1S-OL4-A191-A197	DBMX-21H1S-OL4-A191-A197	DBM-21H1S-OL4-A191-A197
DC	8W8	DCMT-8H8S-OL4-A191-A197	DCMQ-8H8S-OL4-A191-A197	DCMU-8H8S-OL4-A191-A197	DCMX-8H8S-OL4-A191-A197	DCM-8H8S-OL4-A191-A197
DC	13W6	DCMT-13H6S-OL4-A191-A197	DCMQ-13H6S-OL4-A191-A197	DCMU-13H6S-OL4-A191-A197	DCMX-13H6S-OL4-A191-A197	DCM-13H6S-OL4-A191-A197
DC	17W5	DCMT-17H5S-OL4-A191-A197	DCMQ-17H5S-OL4-A191-A197	DCMU-17H5S-OL4-A191-A197	DCMX-17H5S-OL4-A191-A197	DCM-17H5S-OL4-A191-A197
DC	21WA4	DCMT-21HA4S-OL4-A191-A197	DCMQ-21HA4S-OL4-A191-A197	DCMU-21HA4S-OL4-A191-A197	DCMX-21HA4S-OL4-A191-A197	DCM-21HA4S-OL4-A191-A197
DC	25W3	DCMT-25H3S-OL4-A191-A197	DCMQ-25H3S-OL4-A191-A197	DCMU-25H3S-OL4-A191-A197	DCMX-25H3S-OL4-A191-A197	DCM-25H3S-OL4-A191-A197
DC	27W2	DCMT-27H2S-OL4-A191-A197	DCMQ-27H2S-OL4-A191-A197	DCMU-27H2S-OL4-A191-A197	DCMX-27H2S-OL4-A191-A197	DCM-27H2S-OL4-A191-A197

For performance class 1 replace A191 with A190.  
For performance class 3 delete A191.

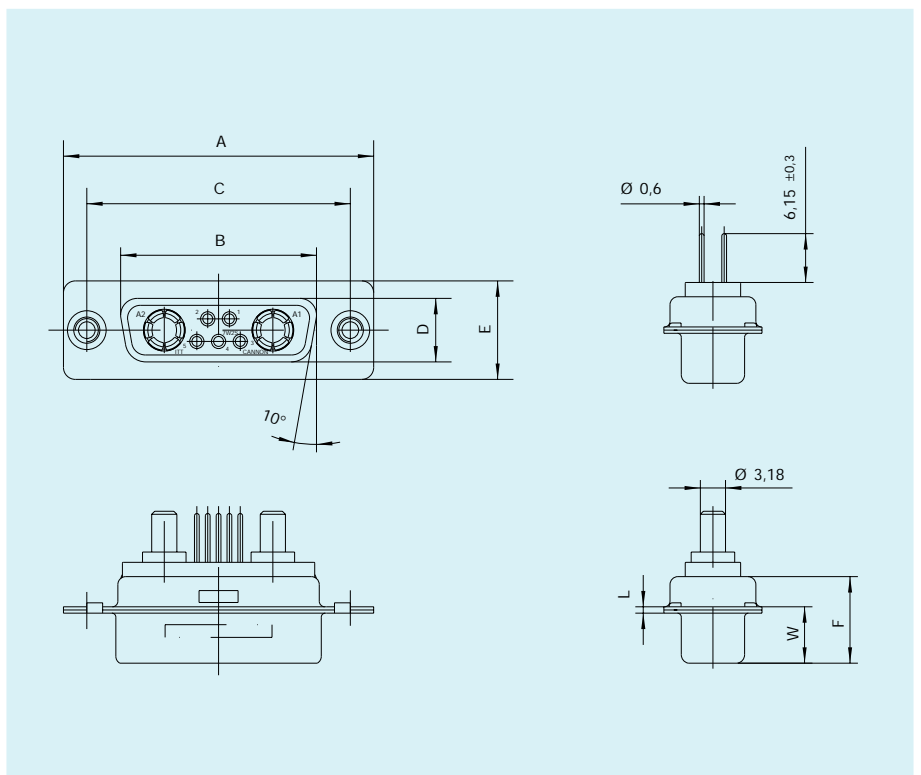
For standoff 4-40 UNC thread replace T with V.  
For standoff, 4-40 UNC thread post and pushfit replace U with N.

For 4-40 UNC thread standoff with pushfit replace Q with Z.  
For captive nut 4-40 UNC replace X with E.

Socket



- For contact cavity arrangements, see page 53.
- For pcb hole pattern, see page 72 – 75.
- For mounting methods, see page 86 – 87.
- For panel cut-outs, see our D Subminiature catalogue.



Dimensions

Shell size	A	B	C	D	E	F	L	W
	± 0,38	± 0,13	± 0,13	± 0,13	± 0,13	± 0,25	+ 0,2	± 0,4
DE	30,8	16,35	25	7,9	12,55	10,9	0,8	6,95
DA	39,15	24,65	33,3	7,9	12,55	10,9	0,8	6,95
DB	53,05	38,4	47,05	7,9	12,55	10,9	0,8	6,95
DC	69,3	54,85	63,5	7,9	12,55	10,9	0,8	6,95

40 A High power straight – European solder pins, size DD

Part numbers with straight contacts

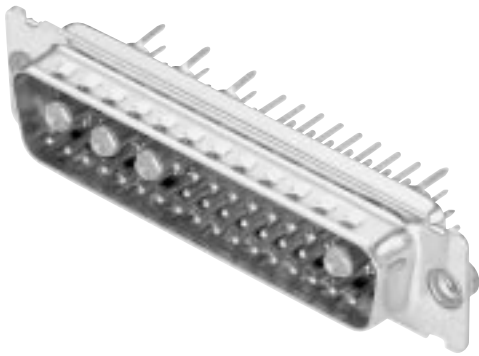
Shell size	Layout	with standoff M3	with standoff M3 with pushfit	standoff, M3 post and pushfit	with M3 clinch nut	with through hole 3,05 mm
DD	24W7	DDMT-24H7P-OL4-A191-K87	DDMQ-24H7P-OL4-A191-K87	DDMU-24H7P-OL4-A191-K87	DDMX-24H7P-OL4-A191-K87	DDM-24H7P-OL4-A191-K87
DD	36W4	DDMT-36H4P-OL4-A191-K87	DDMQ-36H4P-OL4-A191-K87	DDMU-36H4P-OL4-A191-K87	DDMX-36H4P-OL4-A191-K87	DDM-36H4P-OL4-A191-K87
DD	43W2	DDMT-43H2P-OL4-A191-K87	DDMQ-43H2P-OL4-A191-K87	DDMU-43H2P-OL4-A191-K87	DDMX-43H2P-OL4-A191-K87	DDM-43H2P-OL4-A191-K87
DD	47W1	DDMT-47H1P-OL4-A191-K87	DDMQ-47H1P-OL4-A191-K87	DDMU-47H1P-OL4-A191-K87	DDMX-47H1P-OL4-A191-K87	DDM-47H1P-OL4-A191-K87

For performance class 1 replace A191 with A190.  
For performance class 3 delete A191.

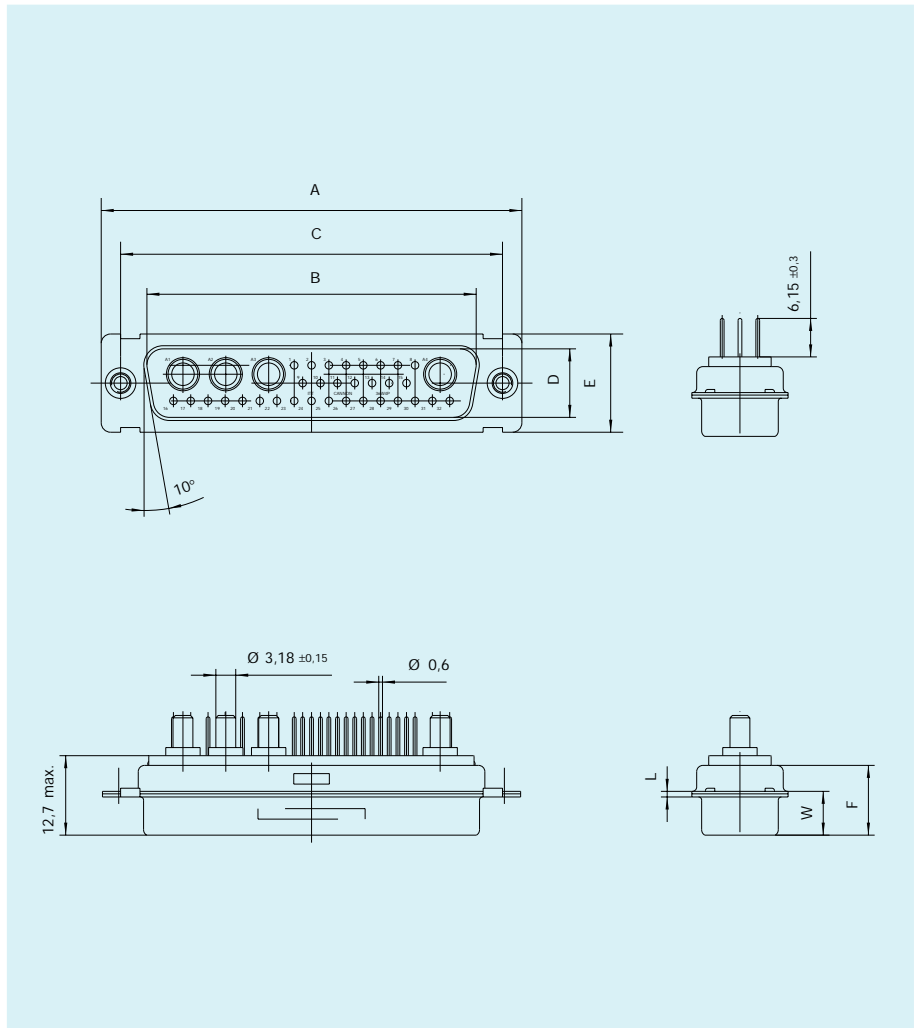
For standoff 4-40 UNC thread replace T with V.  
For standoff, 4-40 UNC thread post and pushfit replace U with N.

For 4-40 UNC thread standoff with pushfit replace Q with Z.  
For captive nut 4-40 UNC replace X with E.

Pin



- For contact cavity arrangements, see page 52.
- For pcb hole pattern, see page 68 – 71.
- For mounting methods, see page 86 – 87.
- For panel cut-outs, see our D Subminiature catalogue.



Dimensions

Shell size	A	B	C	D	E	F	L	W
	± 0,38	± 0,13	± 0,13	± 0,13	± 0,13	± 0,25	+ 0,2	± 0,4
DD	66,95	52,8	61,1	11,1	15,4	10,8	0,9	6,85

## 40 A High power straight – European solder pins, size DD

### Part numbers with straight contacts

Shell size	Layout	with standoff M3	with standoff M3 with pushfit	standoff, M3 post and pushfit	with M3 clinch nut	with through hole 3,05 mm
DD	24W7	DDMT-24H7S-OL4-A191-A197	DDMQ-24H7S-OL4-A191-A197	DDMU-24H7S-OL4-A191-A197	DDMX-24H7S-OL4-A191-A197	DDM-24H7S-OL4-A191-A197
DD	36W4	DDMT-36H4S-OL4-A191-A197	DDMQ-36H4S-OL4-A191-A197	DDMU-36H4S-OL4-A191-A197	DDMX-36H4S-OL4-A191-A197	DDM-36H4S-OL4-A191-A197
DD	43W2	DDMT-43H2S-OL4-A191-A197	DDMQ-43H2S-OL4-A191-A197	DDMU-43H2S-OL4-A191-A197	DDMX-43H2S-OL4-A191-A197	DDM-43H2S-OL4-A191-A197
DD	47W1	DDMT-47H1S-OL4-A191-A197	DDMQ-47H1S-OL4-A191-A197	DDMU-47H1S-OL4-A191-A197	DDMX-47H1S-OL4-A191-A197	DDM-47H1S-OL4-A191-A197

For performance class 1 replace A191 with A190.  
For performance class 3 delete A191.

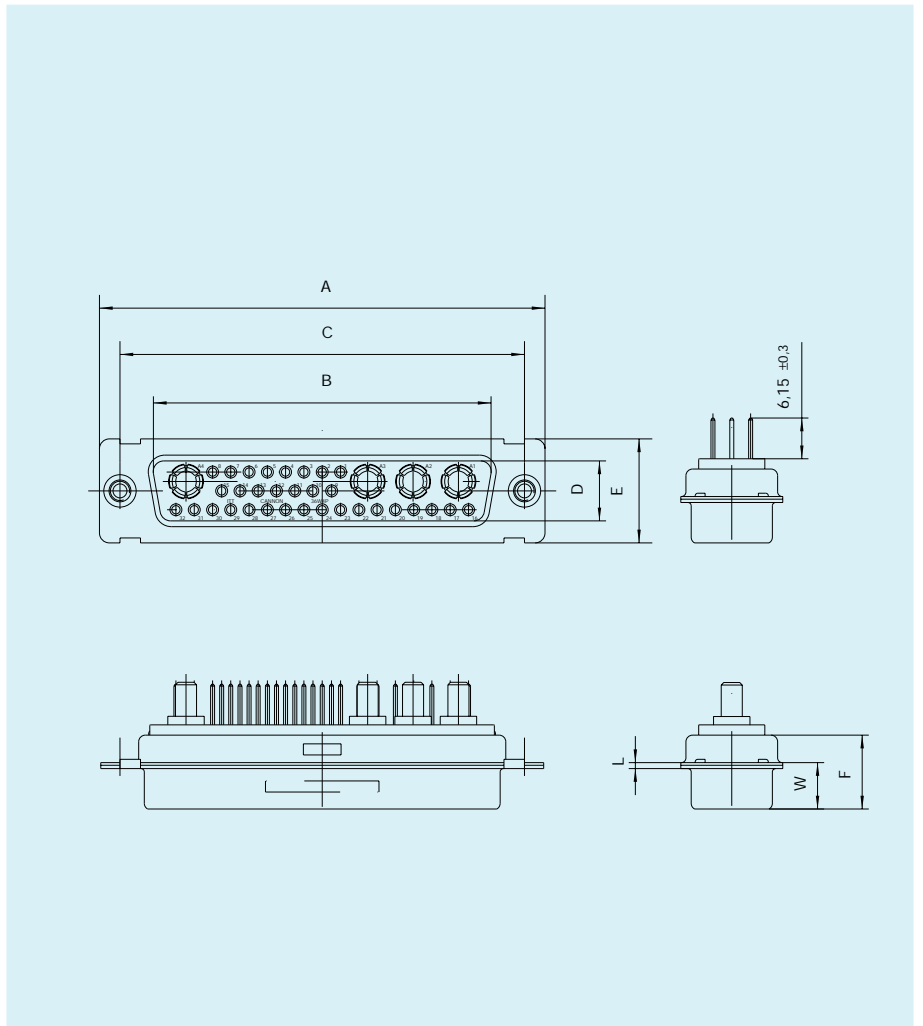
For standoff 4-40 UNC thread replace T with V.  
For standoff, 4-40 UNC thread post and pushfit replace U with N.

For 4-40 UNC thread standoff with pushfit replace Q with Z.  
For captive nut 4-40 UNC replace X with E.

### Socket



- For contact cavity arrangements, see page 53.
- For pcb hole pattern, see page 72 – 75.
- For mounting methods, see page 86 – 87.
- For panel cut-outs, see our D Subminiature catalogue.



### Dimensions

Shell size	A	B	C	D	E	F	L	W
	±0,38	±0,13	±0,13	±0,13	±0,13	±0,25	+0,2	±0,4
DD	66,95	52,4	61,1	10,75	15,4	10,9	0,8	6,95

## 40 A High Power, Pressfit Termination

### Pin



- For contact cavity arrangements, see page 52.
- For pcb hole pattern, see page 84.
- For mounting methods, see page 86 – 87.
- For panel cut-outs, see our D Subminiature catalogue.
- For press in tooling see page 90.

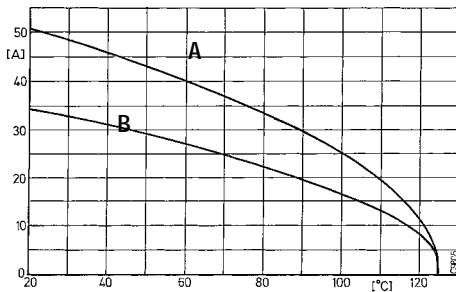
### Electrical Data

Insulation resistance  
 $\approx 1 \times 10^{10} \text{ W} / 100 \text{ V}$

Contact resistance  
 1 mW

Dielectric Withstanding Voltage  
 1000 VAC (sea level)

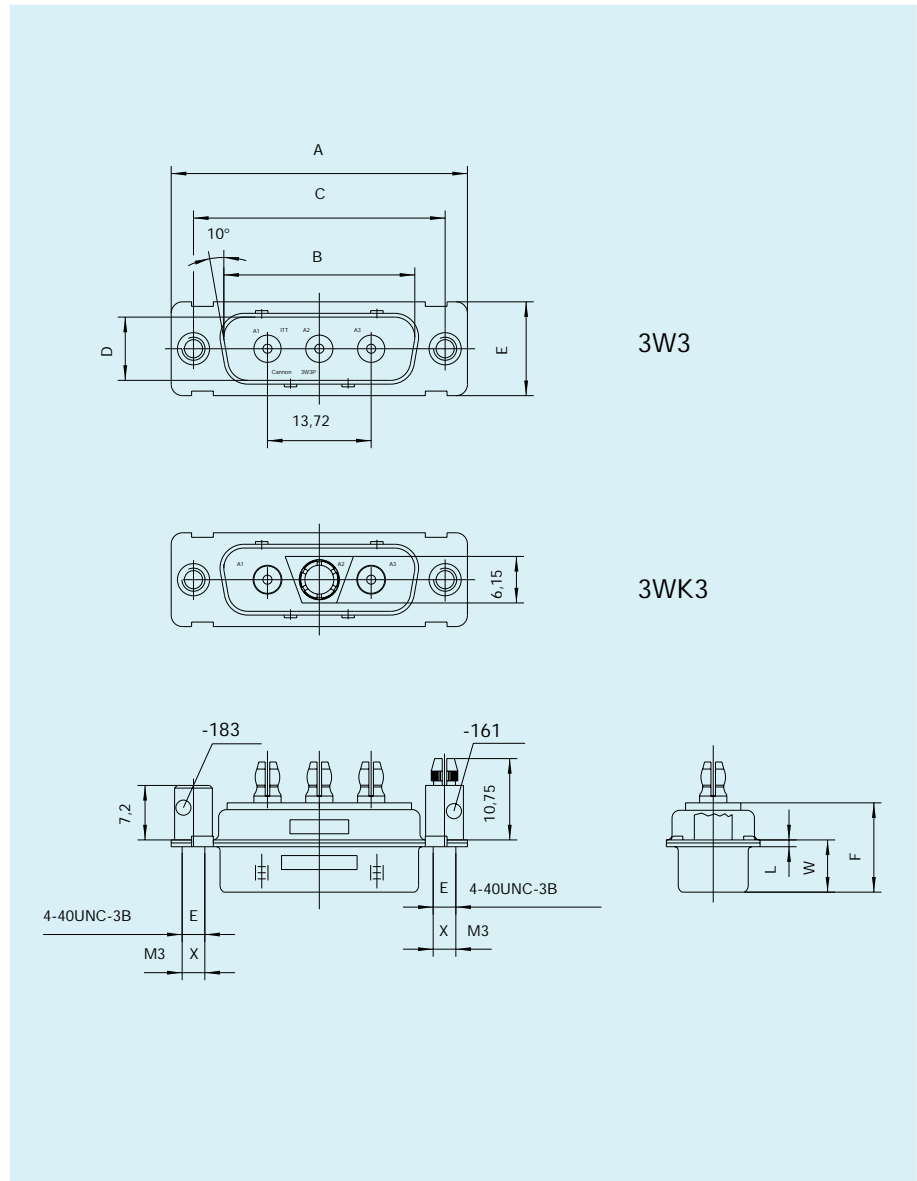
### Current Load



A – Multilayer 6 x 35  $\mu\text{m}$  x 4,5 mm  
 B – Double layer 2 x 35  $\mu\text{m}$  x 4,5 mm

### Part Numbers

Boardlock M3	Boardlock 4-40 UNC	Stand-off M3	Stand-off 4-40
DAMX-3W3P-PO-K87-161	DAME3W3P-PO-K87-161	DAMX-3W3P-PO-K87-183	DAME-3W3P-PO-K87-183
DAMX-3WK3P-PO-K87-161	DAME3WK3P-PO-K87-161	DAMX-3WK3P-PO-K87-183	DAME-3WK3P-PO-K87-183
DBMX-5W5P-PO-K87-161	DBME5W5P-PO-K87-161	DBMX-5W5P-PO-K87-183	DBME-5W5P-PO-K87-183
DCMX-8W8P-PO-K87-161	DCME8W8P-PO-K87-161	DCMX-8W8P-PO-K87-183	DCME-8W8P-PO-K87-183



### Dimensions

Shell size	A	B	C	D	E	F	L	W
DA	$\pm 0,38$	$\pm 0,13$	$\pm 0,13$	$\pm 0,13$	$\pm 0,38$	$\pm 0,25$	+ 0,2	$\pm 0,4$
DB	39,15	25,25	33,3	8,35	12,55	10,7	0,8	6,7
DC	53,05	38,95	47,05	8,35	12,55	10,7	0,9	6,8
DC	69,3	55,4	63,5	8,35	12,55	10,7	0,9	6,8

## 40 A High Power, Pressfit Termination

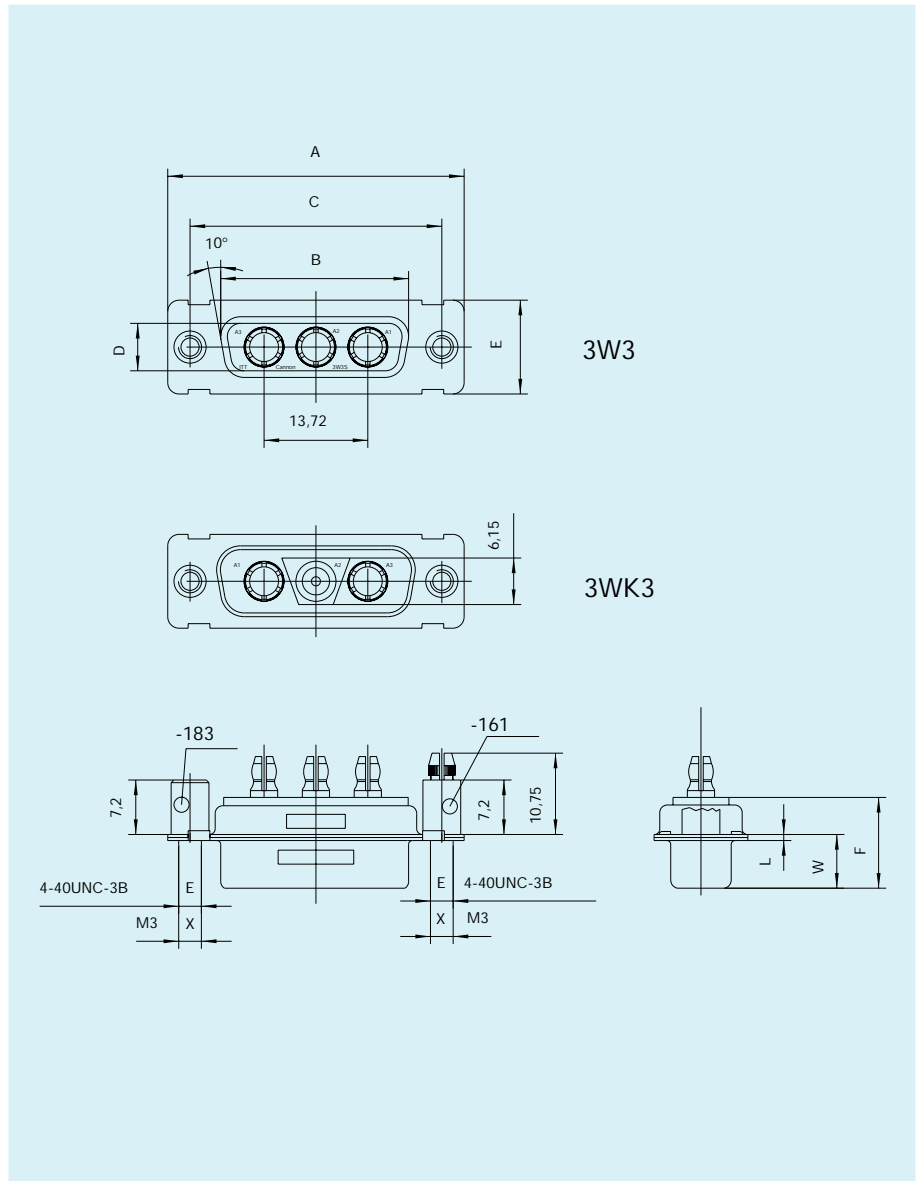
### Socket



- For contact cavity arrangements, see page 53.
- For pcb hole pattern, see page 85.
- For mounting methods, see page 86 – 87.
- For panel cut-outs, see our D Subminiature catalogue.
- For press in tooling see page 90.

### Part Numbers

Boardlock M3	Boardlock 4-40 UNC	Stand-off M3	Stand-off 4-40
DAMX-3W3S-PO-A197-161	DAME3W3S-PO-A197-161	DAMX-3W3S-PO-A197-183	DAME-3W3S-PO-A197-183
DAMX-3WK3S-PO-A197-161	DAME3WK3S-PO-A197-161	DAMX-3WK3S-PO-A197-183	DAME-3WK3S-PO-A197-183
DBMX-5W5S-PO-A197-161	DBME5W5S-PO-A197-161	DBMX-5W5S-PO-A197-183	DBME-5W5S-PO-A197-183
DCMX-8W8S-PO-A197-161	DCME8W8S-PO-A197-161	DCMX-8W8S-PO-A197-183	DCME-8W8S-PO-A197-183



### Dimensions

Shell size	A	B	C	D	E	F	L	W
	±0,38	±0,13	±0,13	±0,13	±0,38	±0,25	+0,2	±0,4
DA	39,15	24,65	33,3	7,9	12,55	10,9	0,8	6,95
DB	53,05	38,4	47,05	7,9	12,55	10,9	0,8	6,95
DC	69,3	54,85	63,5	7,9	12,55	10,9	0,8	6,95



Solder pin 90° – European footprint, sizes DE – DC, with empty size 8 cavities, with different brackets

Part numbers with metal bracket and captive nut M3

Part numbers with plastic bracket and captive nut M3

Part numbers with plastic bracket with grounding bracket and captive nut M3

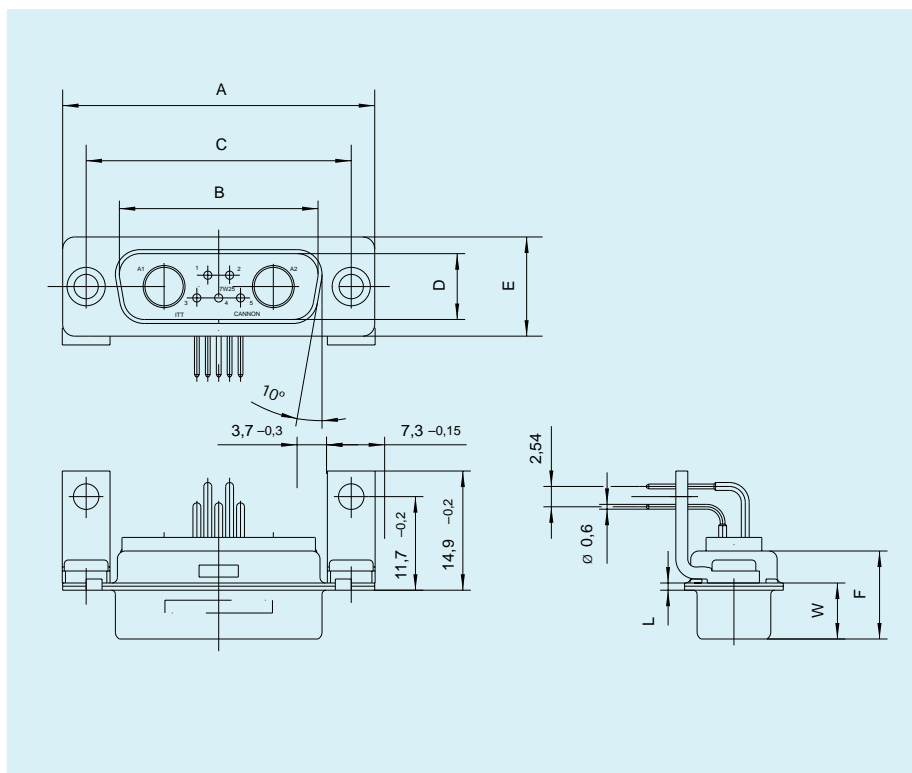
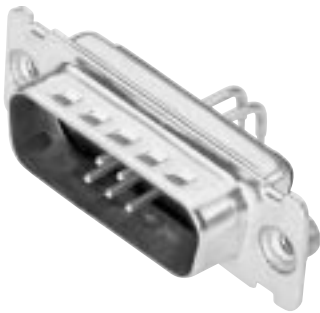
Shell size	Layout	P/N without pushfit	P/N with mounting hole diameter 3,2 and pushfit	P/N without pushfit	P/N with mounting hole diameter 3,2 and pushfit	P/N without pushfit	P/N with mounting hole diameter 3,2 and pushfit
DE	5W1	DEM-5W1P-1A9N-A191-K87	DEM-5W1P-1A9N-A191-K87-146	DEM-5W1P-1ATN-A191-K87	DEM-5W1P-1ATN-A191-K87-146	DEM-5W1P-1AVN-A191-K87	DEM-5W1P-1AVN-A191-K87-146
DA	7W2	DAM-7W2P-1A9N-A191-K87	DAM-7W2P-1A9N-A191-K87-146	DAM-7W2P-1ATN-A191-K87	DAM-7W2P-1ATN-A191-K87-146	DAM-7W2P-1AVN-A191-K87	DAM-7W2P-1AVN-A191-K87-146
DA	11W1	DAM-11W1P-1A9N-A191-K87	DAM-11W1P-1A9N-A191-K87-146	DAM-11W1P-1ATN-A191-K87	DAM-11W1P-1ATN-A191-K87-146	DAM-11W1P-1AVN-A191-K87	DAM-11W1P-1AVN-A191-K87-146
DA	3W3	DAM-3W3P-1A9N-K87	DAM-3W3P-1A9N-K87-146	DAM-3W3P-1ATN-K87	DAM-3W3P-1ATN-K87-146	DAM-3W3P-1AVN-K87	DAM-3W3P-1AVN-K87-146
DA	3WK3	DAM-3WK3P-1A9N-K87	DAM-3WK3P-1A9N-K87-146	DAM-3WK3P-1ATN-K87	DAM-3WK3P-1ATN-K87-146	DAM-3WK3P-1AVN-K87	DAM-3WK3P-1AVN-K87-146
DB	5W5	DBM-5W5P-1A9N-K87	DBM-5W5P-1A9N-K87-146	DBM-5W5P-1ATN-K87	DBM-5W5P-1ATN-K87-146	DBM-5W5P-1AVN-K87	DBM-5W5P-1AVN-K87-146
DB	9W4	DBM-9W4P-1A9N-A191-K87	DBM-9W4P-1A9N-A191-K87-146	DBM-9W4P-1ATN-A191-K87	DBM-9W4P-1ATN-A191-K87-146	DBM-9W4P-1AVN-A191-K87	DBM-9W4P-1AVN-A191-K87-146
DB	13W3	DBM-13W3P-1A9N-A191-K87	DBM-13W3P-1A9N-A191-K87-146	DBM-13W3P-1ATN-A191-K87	DBM-13W3P-1ATN-A191-K87-146	DBM-13W3P-1AVN-A191-K87	DBM-13W3P-1AVN-A191-K87-146
DB	17W2	DBM-17W2P-1A9N-A191-K87	DBM-17W2P-1A9N-A191-K87-146	DBM-17W2P-1ATN-A191-K87	DBM-17W2P-1ATN-A191-K87-146	DBM-17W2P-1AVN-A191-K87	DBM-17W2P-1AVN-A191-K87-146
DB	21W1	DBM-21W1P-1A9N-A191-K87	DBM-21W1P-1A9N-A191-K87-146	DBM-21W1P-1ATN-A191-K87	DBM-21W1P-1ATN-A191-K87-146	DBM-21W1P-1AVN-A191-K87	DBM-21W1P-1AVN-A191-K87-146
DC	8W8	DCM-8W8P-1A9N-K87	DCM-8W8P-1A9N-K87-146	DCM-8W8P-1ATN-K87	DCM-8W8P-1ATN-K87-146	DCM-8W8P-1AVN-K87	DCM-8W8P-1AVN-K87-146
DC	13W6	DCM-13W6P-1A9N-A191-K87	DCM-13W6P-1A9N-A191-K87-146	DCM-13W6P-1ATN-A191-K87	DCM-13W6P-1ATN-A191-K87-146	DCM-13W6P-1AVN-A191-K87	DCM-13W6P-1AVN-A191-K87-146
DC	17W5	DCM-17W5P-1A9N-A191-K87	DCM-17W5P-1A9N-A191-K87-146	DCM-17W5P-1ATN-A191-K87	DCM-17W5P-1ATN-A191-K87-146	DCM-17W5P-1AVN-A191-K87	DCM-17W5P-1AVN-A191-K87-146
DC	21WA4	DCM-21WA4P-1A9N-A191-K87	DCM-21WA4P-1A9N-A191-K87-146	DCM-21WA4P-1ATN-A191-K87	DCM-21WA4P-1ATN-A191-K87-146	DCM-21WA4P-1AVN-A191-K87	DCM-21WA4P-1AVN-A191-K87-146
DC	25W3	DCM-25W3P-1A9N-A191-K87	DCM-25W3P-1A9N-A191-K87-146	DCM-25W3P-1ATN-A191-K87	DCM-25W3P-1ATN-A191-K87-146	DCM-25W3P-1AVN-A191-K87	DCM-25W3P-1AVN-A191-K87-146
DC	27W2	DCM-27W2P-1A9N-A191-K87	DCM-27W2P-1A9N-A191-K87-146	DCM-27W2P-1ATN-A191-K87	DCM-27W2P-1ATN-A191-K87-146	DCM-27W2P-1AVN-A191-K87	DCM-27W2P-1AVN-A191-K87-146

For performance class 1 replace A191 with A190.  
For performance class 3 delete A191.

For captive nut 4-40 UNC thread replace 1A9N with 1A7N and 1AHN with 1A8N.  
For pushfit 90° pcb hole diameter 3,2 mm replace 146 with 162.

3W3/3WK3 (keyed)/5W5 and 8W8 without signal contacts.

Pin



- For contact cavity arrangements, see page 52.
- For pcb hole pattern, see page 54 – 56 for coaxial or pages 68 – 71 for high power contacts.
- For mounting methods, see page 86 – 87.
- For panel cut-outs, see our D Subminiature catalogue.

Dimensions

Shell size	A ± 0,38	B ± 0,13	C ± 0,13	D ± 0,13	E ± 0,13	F ± 0,25	L + 0,2	W ± 0,4
DE	30,8	16,9	25	8,35	12,55	10,7	0,8	6,7
DA	39,15	25,25	33,3	8,35	12,55	10,7	0,8	6,7
DB	53,05	38,95	47,05	8,35	12,55	10,8	0,9	6,8
DC	69,3	55,4	63,5	8,35	12,55	10,8	0,9	6,8

Solder pin 90° – European footprint, sizes DE – DC, with empty size 8 cavities, with different brackets

Part numbers with metal bracket and captive nut M3

Part numbers with plastic bracket captive nut M3

Part numbers with plastic bracket with grounding bracket and captive nut M3

Shell size	Layout	P/N without pushfit	P/N with mounting hole diameter 3,2 and pushfit	P/N without pushfit	P/N with mounting hole diameter 3,2 and pushfit	P/N without pushfit	P/N with mounting hole diameter 3,2 and pushfit
DE	5W1	DEM-5W1S-1A9N-A191-A197	DEM-5W1S-1A9N-A191-A197-146	DEM-5W1S-1ATN-A191-A197	DEM-5W1S-1ATN-A191-A197-146	DEM-5W1S-1AVN-A191-A197	DEM-5W1S-1AVN-A191-A197-146
DA	7W2	DAM-7W2S-1A9N-A191-A197	DAM-7W2S-1A9N-A191-A197-146	DAM-7W2S-1ATN-A191-A197	DAM-7W2S-1ATN-A191-A197-146	DAM-7W2S-1AVN-A191-A197	DAM-7W2S-1AVN-A191-A197-146
DA	11W1	DAM-11W1S-1A9N-A191-A197	DAM-11W1S-1A9N-A191-A197-146	DAM-11W1S-1ATN-A191-A197	DAM-11W1S-1ATN-A191-A197-146	DAM-11W1S-1AVN-A191-A197	DAM-11W1S-1AVN-A191-A197-146
DA	3W3	DAM-3W3S-1A9N-A197	DAM-3W3S-1A9N-A197-146	DAM-3W3S-1ATN-A197	DAM-3W3S-1ATN-A197-146	DAM-3W3S-1AVN-A197	DAM-3W3S-1AVN-A197-146
DA	3WK3	DAM-3WK3S-1A9N-A197	DAM-3WK3S-1A9N-A197-146	DAM-3WK3S-1ATN-A197	DAM-3WK3S-1ATN-A197-146	DAM-3WK3S-1AVN-A197	DAM-3WK3S-1AVN-A197-146
DB	5W5	DBM-5W5S-1A9N-A197	DBM-5W5S-1A9N-A197-146	DBM-5W5S-1ATN-A197	DBM-5W5S-1ATN-A197-146	DBM-5W5S-1AVN-A197	DBM-5W5S-1AVN-A197-146
DB	9W4	DBM-9W4S-1A9N-A191-A197	DBM-9W4S-1A9N-A191-A197-146	DBM-9W4S-1ATN-A191-A197	DBM-9W4S-1ATN-A191-A197-146	DBM-9W4S-1AVN-A191-A197	DBM-9W4S-1AVN-A191-A197-146
DB	13W3	DBM-13W3S-1A9N-A191-A197	DBM-13W3S-1A9N-A191-A197-146	DBM-13W3S-1ATN-A191-A197	DBM-13W3S-1ATN-A191-A197-146	DBM-13W3S-1AVN-A191-A197	DBM-13W3S-1AVN-A191-A197-146
DB	17W2	DBM-17W2S-1A9N-A191-A197	DBM-17W2S-1A9N-A191-A197-146	DBM-17W2S-1ATN-A191-A197	DBM-17W2S-1ATN-A191-A197-146	DBM-17W2S-1AVN-A191-A197	DBM-17W2S-1AVN-A191-A197-146
DB	21W1	DBM-21W1S-1A9N-A191-A197	DBM-21W1S-1A9N-A191-A197-146	DBM-21W1S-1ATN-A191-A197	DBM-21W1S-1ATN-A191-A197-146	DBM-21W1S-1AVN-A191-A197	DBM-21W1S-1AVN-A191-A197-146
DC	8W8	DCM-8W8S-1A9N-A197	DCM-8W8S-1A9N-A197-146	DCM-8W8S-1ATN-A197	DCM-8W8S-1ATN-A197-146	DCM-8W8S-1AVN-A197	DCM-8W8S-1AVN-A197-146
DC	13W6	DCM-13W6S-1A9N-A191-A197	DCM-13W6S-1A9N-A191-A197-146	DCM-13W6S-1ATN-A191-A197	DCM-13W6S-1ATN-A191-A197-146	DCM-13W6S-1AVN-A191-A197	DCM-13W6S-1AVN-A191-A197-146
DC	17W5	DCM-17W5S-1A9N-A191-A197	DCM-17W5S-1A9N-A191-A197-146	DCM-17W5S-1ATN-A191-A197	DCM-17W5S-1ATN-A191-A197-146	DCM-17W5S-1AVN-A191-A197	DCM-17W5S-1AVN-A191-A197-146
DC	21WA4	DCM-21WA4S-1A9N-A191-A197	DCM-21WA4S-1A9N-A191-A197-146	DCM-21WA4S-1ATN-A191-A197	DCM-21WA4S-1ATN-A191-A197-146	DCM-21WA4S-1AVN-A191-A197	DCM-21WA4S-1AVN-A191-A197-146
DC	25W3	DCM-25W3S-1A9N-A191-A197	DCM-25W3S-1A9N-A191-A197-146	DCM-25W3S-1ATN-A191-A197	DCM-25W3S-1ATN-A191-A197-146	DCM-25W3S-1AVN-A191-A197	DCM-25W3S-1AVN-A191-A197-146
DC	27W2	DCM-27W2S-1A9N-A191-A197	DCM-27W2S-1A9N-A191-A197-146	DCM-27W2S-1ATN-A191-A197	DCM-27W2S-1ATN-A191-A197-146	DCM-27W2S-1AVN-A191-A197	DCM-27W2S-1AVN-A191-A197-146

For performance class 1 replace A191 with A190.  
For performance class 3 delete A191.

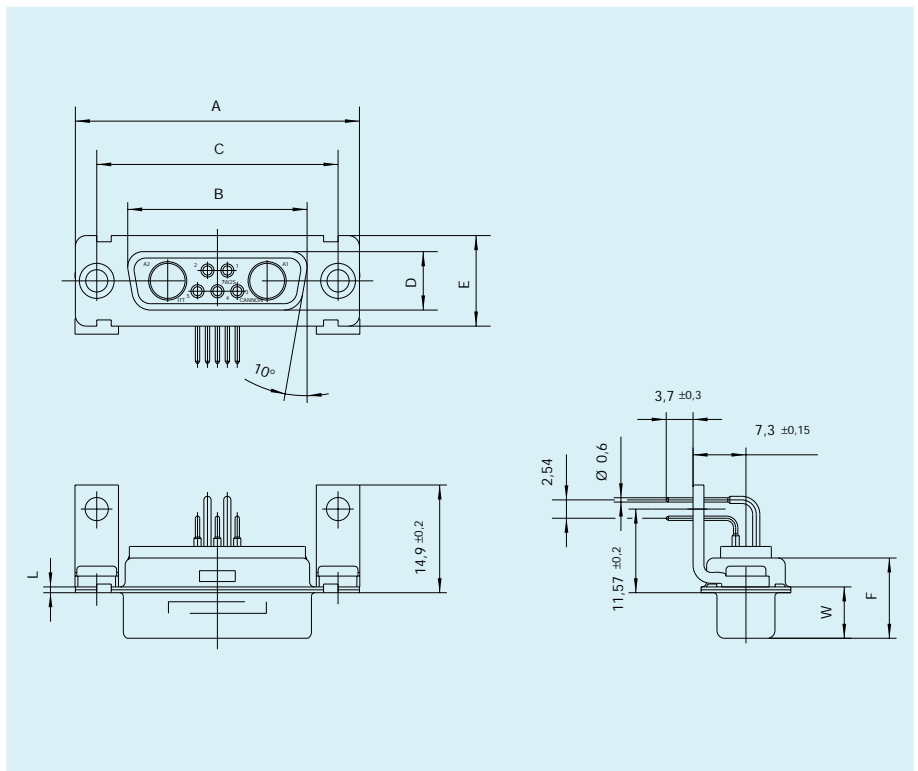
For captive nut 4-40 UNC thread replace 1A9N with 1A7N and 1A8N with 1A8N.  
For pushfit 90° pcb hole diameter 3,2 mm replace 146 with 162.

3W3/3WK3 (keyed)/5W5 and 8W8 without signal contacts.

Socket



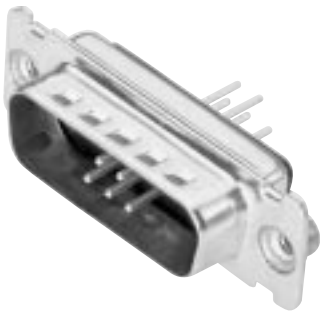
- For contact cavity arrangements, see page 53.
- For pcb hole pattern, see page 57 – 59 for coaxial or pages 72 – 75 for high power contacts.
- For mounting methods, see page 86 – 87.
- For panel cut-outs, see our D Subminiature catalogue.



Dimensions

Shell size	A	B	C	D	E	F	L	W
	±0,38	±0,13	±0,13	±0,13	±0,13	±0,25	+0,2	±0,4
DE	30,8	16,35	25	7,9	12,55	10,9	0,8	6,95
DA	39,15	24,65	33,3	7,9	12,55	10,9	0,8	6,95
DB	53,05	38,4	47,05	7,9	12,55	10,9	0,8	6,95
DC	69,3	54,85	63,5	7,9	12,55	10,9	0,8	6,95

Pin



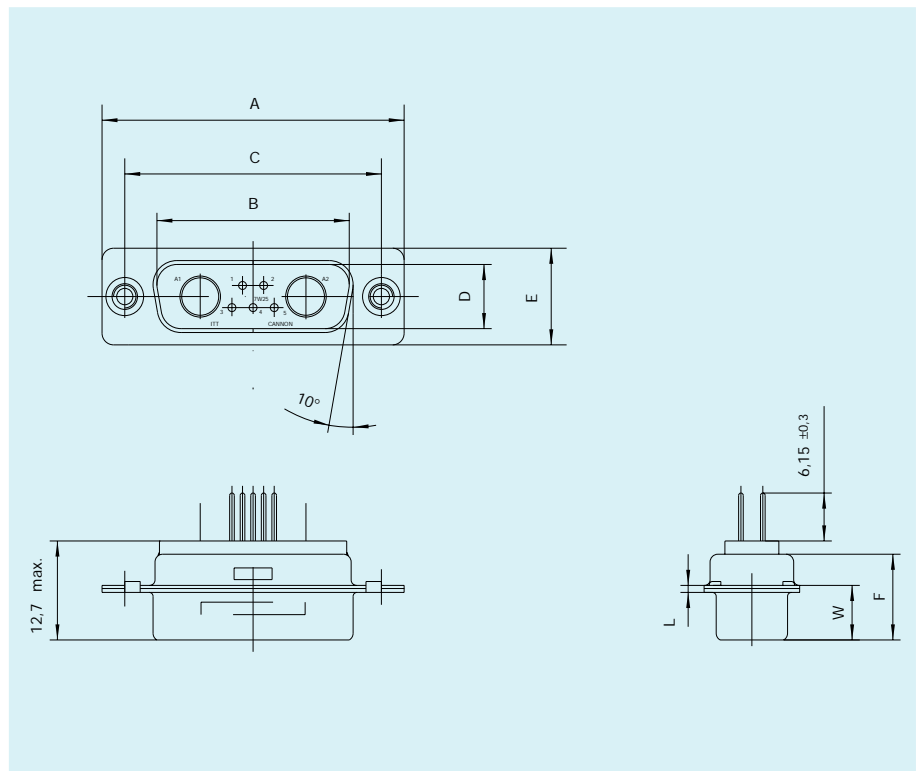
- For contact cavity arrangements, see page 52.
- For pcb hole pattern, see page 60 – 63.
- For mounting methods, see page 86 – 87.
- For panel cut-outs, see our D Subminiature catalogue.

Straight European solder pins, sizes DE – DC, with empty size 8 cavities

Shell size	Layout	P/N with through hole 3,05 mm	P/N with M3 clinch nut	P/N with M3 standoff post and pushfit	P/N with M3 standoff with pushfit
DE	5W1	DEM-5W1P-OL4-A191-K87	DEM-5W1P-OL4-A191-K87	DEMU-5W1P-OL4-A191-K87	DEMQ-5W1P-OL4-A191-K87
DA	7W2	DAM-7W2P-OL4-A191-K87	DAM-7W2P-OL4-A191-K87	DAMU-7W2P-OL4-A191-K87	DAMQ-7W2P-OL4-A191-K87
DA	11W1	DAM-11W1P-OL4-A191-K87	DAMX-11W1P-OL4-A191-K87	DAMU-11W1P-OL4-A191-K87	DAMQ-11W1P-OL4-A191-K87
DA	3W3	DAM-3W3P-K87	DAMX-3W3P-K87	DAMU-3W3P-K87	DAMQ-3W3P-K87
DA	3WK3	DAM-3WK3P-K87	DAMX-3WK3P-K87	DAMU-3WK3P-K87	DAMQ-3WK3P-K87
DB	5W5	DBM-5W5P-K87	DBMX-5W5P-K87	DBMU-5W5P-K87	DBMQ-5W5P-K87
DB	9W4	DBM-9W4P-OL4-A191-K87	DBMX-9W4P-OL4-A191-K87	DBMU-9W4P-OL4-A191-K87	DBMQ-9W4P-OL4-A191-K87
DB	13W3	DBM-13W3P-OL4-A191-K87	DBMX-13W3P-OL4-A191-K87	DBMU-13W3P-OL4-A191-K87	DBMQ-13W3P-OL4-A191-K87
DB	17W2	DBM-17W2P-OL4-A191-K87	DBMX-17W2P-OL4-A191-K87	DBMU-17W2P-OL4-A191-K87	DBMQ-17W2P-OL4-A191-K87
DB	21W1	DBM-21W1P-OL4-A191-K87	DBMX-21W1P-OL4-A191-K87	DBMU-21W1P-OL4-A191-K87	DBMQ-21W1P-OL4-A191-K87
DC	8W8	DCM-8W8P-K87	DCMX-8W8P-K87	DCMU-8W8P-K87	DCMQ-8W8P-K87
DC	13W6	DCM-13W6P-OL4-A191-K87	DCMX-13W6P-OL4-A191-K87	DCMU-13W6P-OL4-A191-K87	DCMQ-13W6P-OL4-A191-K87
DC	17W5	DCM-17W5P-OL4-A191-K87	DCMX-17W5P-OL4-A191-K87	DCMU-17W5P-OL4-A191-K87	DCMQ-17W5P-OL4-A191-K87
DC	21WA4	DCM-21WA4P-OL4-A191-K87	DCMX-21WA4P-OL4-A191-K87	DCMU-21WA4P-OL4-A191-K87	DCMQ-21WA4P-OL4-A191-K87
DC	25W3	DCM-25W3P-OL4-A191-K87	DCMX-25W3P-OL4-A191-K87	DCMU-25W3P-OL4-A191-K87	DCMQ-25W3P-OL4-A191-K87
DC	27W2	DCM-27W2P-OL4-A191-K87	DCMX-27W2P-OL4-A191-K87	DCMU-27W2P-OL4-A191-K87	DCMQ-27W2P-OL4-A191-K87

For performance class 1 replace A191 with A190.  
 For performance class 3 delete A191.  
 For clinch nut 4-40 UNC thread replace X with E.  
 For standoff, 4-40 UNC thread post and pushfit replace U with N.

For 4-40 UNC thread standoff with pushfit replace Q with Z.  
 For captive nut 4-40 UNC replace X with E.  
 3W3/3WK3 (keyed) 5W5 and 8W8 without signal contacts.



Dimensions

Shell size	A ±0,38	B ±0,13	C ±0,13	D ±0,13	E ±0,13	F ±0,25	L +0,2	W ±0,4
DE	30,8	16,9	25	8,35	12,55	10,7	0,8	6,7
DA	39,15	25,25	33,3	8,35	12,55	10,7	0,8	6,7
DB	53,05	38,95	47,05	8,35	12,55	10,8	0,9	6,8
DC	69,3	55,4	63,5	8,35	12,55	10,8	0,9	6,8

## Socket



- For contact cavity arrangements, see page 53.
- For pcb hole pattern, see page 64 – 67.
- For mounting methods, see page 86 – 87.
- For panel cut-outs, see our D Subminiature catalogue.

## Straight European solder pins, sizes DE – DC, with empty size 8 cavities

Shell size	Layout	P/N with through hole 3,05 mm	P/N with M3 clinch nut	P/N with M3 standoff post and pushfit	P/N with M3 standoff with pushfit
DE	5W1	DEM-5W1S-OL4-A191-A197	DEMX-5W1S-OL4-A191-A197	DEMU-5W1S-OL4-A191-A197	DEMQ-5W1S-OL4-A191-A197
DA	7W2	DAM-7W2S-OL4-A191-A197	DAMX-7W2S-OL4-A191-A197	DAMU-7W2S-OL4-A191-A197	DAMQ-7W2S-OL4-A191-A197
DA	11W1	DAM-11W1S-OL4-A191-A197	DAMX-11W1S-OL4-A191-A197	DAMU-11W1S-OL4-A191-A197	DAMQ-11W1S-OL4-A191-A197
DA	3W3	DAM-3W3S-A197	DAMX-3W3S-A197	DAMU-3W3S-A197	DAMQ-3W3S-A197
DA	3WK3	DAM-3WK3S-A197	DAMX-3WK3S-A197	DAMU-3WK3S-A197	DAMQ-3WK3S-A197
DB	5W5	DBM-5W5S-A197	DBMX-5W5S-A197	DBMU-5W5S-A197	DBMQ-5W5S-A197
DB	9W4	DBM-9W4S-OL4-A191-A197	DBMX-9W4S-OL4-A191-A197	DBMU-9W4S-OL4-A191-A197	DBMQ-9W4S-OL4-A191-A197
DB	13W3	DBM-13W3S-OL4-A191-A197	DBMX-13W3S-OL4-A191-A197	DBMU-13W3S-OL4-A191-A197	DBMQ-13W3S-OL4-A191-A197
DB	17W2	DBM-17W2S-OL4-A191-A197	DBMX-17W2S-OL4-A191-A197	DBMU-17W2S-OL4-A191-A197	DBMQ-17W2S-OL4-A191-A197
DB	21W1	DBM-21W1S-OL4-A191-A197	DBMX-21W1S-OL4-A191-A197	DBMU-21W1S-OL4-A191-A197	DBMQ-21W1S-OL4-A191-A197
DC	8W8	DCM-8W8S-A197	DCMX-8W8S-A197	DCMU-8W8S-A197	DCMQ-8W8S-A197
DC	13W6	DCM-13W6S-OL4-A191-A197	DCMX-13W6S-OL4-A191-A197	DCMU-13W6S-OL4-A191-A197	DCMQ-13W6S-OL4-A191-A197
DC	17W5	DCM-17W5S-OL4-A191-A197	DCMX-17W5S-OL4-A191-A197	DCMU-17W5S-OL4-A191-A197	DCMQ-17W5S-OL4-A191-A197
DC	21WA4	DCM-21WA4S-OL4-A191-A197	DCMX-21WA4S-OL4-A191-A197	DCMU-21WA4S-OL4-A191-A197	DCMQ-21WA4S-OL4-A191-A197
DC	25W3	DCM-25W3S-OL4-A191-A197	DCMX-25W3S-OL4-A191-A197	DCMU-25W3S-OL4-A191-A197	DCMQ-25W3S-OL4-A191-A197
DC	27W2	DCM-27W2S-OL4-A191-A197	DCMX-27W2S-OL4-A191-A197	DCMU-27W2S-OL4-A191-A197	DCMQ-27W2S-OL4-A191-A197

For performance class 1 replace A191 with A190.

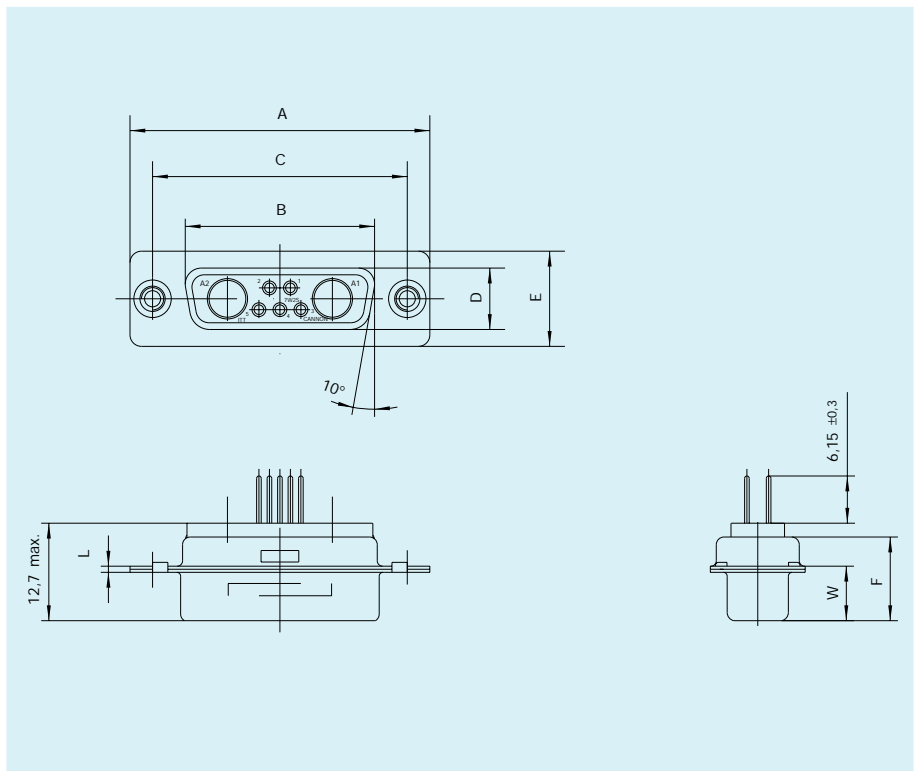
For performance class 3 delete A191.

For clinch nut 4-40 UNC thread replace X with E.

For standoff, 4-40 UNC thread post and pushfit replace U with N.

For 4-40 UNC thread standoff with pushfit replace U with Z.

For captive nut 4-40 UNC replace X with E.



## Dimensions

Shell size	A	B	C	D	E	F	L	W
	±0,38	±0,13	±0,13	±0,13	±0,13	±0,25	+0,2	±0,4
DE	30,8	16,35	25	7,9	12,55	10,9	0,8	6,95
DA	39,15	24,65	33,3	7,9	12,55	10,9	0,8	6,95
DB	53,05	38,4	47,05	7,9	12,55	10,9	0,8	6,95
DC	69,3	54,85	63,5	7,9	12,55	10,9	0,8	6,95

Pin



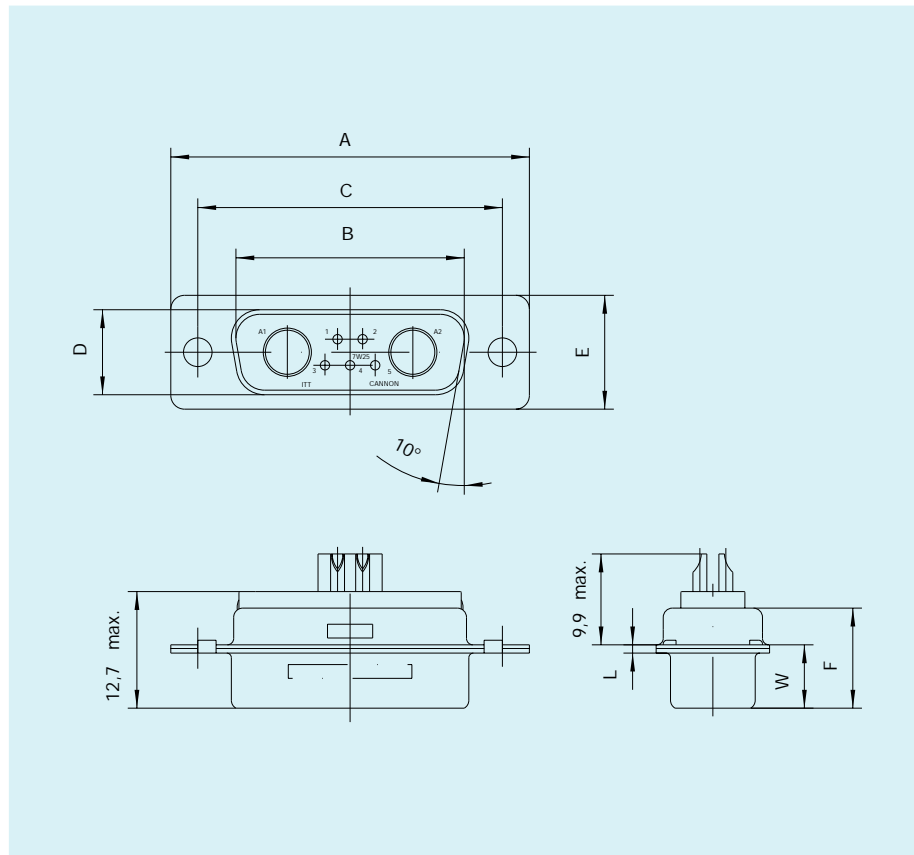
- For contact cavity arrangements, see page 52.
- For mounting methods, see page 86 – 87.
- For panel cut-outs, see our D Subminiature catalogue.

Solder cup, sizes DE – DC, with empty size 8 cavities

Shell size	Layout	P/N with through hole 3,05 mm	P/N with M3 clinch nut	P/N with dual float mount
DE	5W1	DEM-5W1P-A191-K87	DEMx-5W1P-A191-K87	DEMY-5W1P-A191-K87
DA	7W2	DAM-7W2P-A191-K87	DAMx-7W2P-A191-K87	DAMY-7W2P-A191-K87
DA	11W1	DAM-11W1P-A191-K87	DAMx-11W1P-A191-K87	DAMY-11W1P-A191-K87
DA	3W3	DAM-3W3P-K87	DAMx-3W3P-K87	DAMY-3W3P-K87
DA	3WK3	DAM-3WK3P-K87	DAMx-3WK3P-K87	DAMY-3WK3P-K87
DB	5W5	DBM-5W5P-K87	DBMx-5W5P-K87	DBMY-5W5P-K87
DB	9W4	DBM-9W4P-A191-K87	DBMx-9W4P-A191-K87	DBMY-9W4P-A191-K87
DB	13W3	DBM-13W3P-A191-K87	DBMx-13W3P-A191-K87	DBMY-13W3P-A191-K87
DB	17W2	DBM-17W2P-A191-K87	DBMx-17W2P-A191-K87	DBMY-17W2P-A191-K87
DB	21W1	DBM-21W1P-A191-K87	DBMx-21W1P-A191-K87	DBMY-21W1P-A191-K87
DC	8W8	DCM-8W8P-K87	DCMx-8W8P-K87	DCMY-8W8P-K87
DC	13W6	DCM-13W6P-A191-K87	DCMx-13W6P-A191-K87	DCMY-13W6P-A191-K87
DC	17W5	DCM-17W5P-A191-K87	DCMx-17W5P-A191-K87	DCMY-17W5P-A191-K87
DC	21WA4	DCM-21WA4P-A191-K87	DCMx-21WA4P-A191-K87	DCMY-21WA4P-A191-K87
DC	25W3	DCM-25W3P-A191-K87	DCMx-25W3P-A191-K87	DCMY-25W3P-A191-K87
DC	27W2	DCM-27W2P-A191-K87	DCMx-27W2P-A191-K87	DCMY-27W2P-A191-K87

For performance class 1 replace A191 with A190.  
For performance class 3 delete A191.

For clinch nut 4-40 UNC thread replace X with E.  
3W3/3WK3 (keyed) 5W5 and 8W8 without signal contacts.



Dimensions

Shell size	A ± 0,38	B ± 0,13	C ± 0,13	D ± 0,13	E ± 0,13	F ± 0,25	L + 0,2	W ± 0,4
DE	30,8	16,9	25	8,35	12,55	10,7	0,8	6,7
DA	39,15	25,25	33,3	8,35	12,55	10,7	0,8	6,7
DB	53,05	38,95	47,05	8,35	12,55	10,8	0,9	6,8
DC	69,3	55,4	63,5	8,35	12,55	10,8	0,9	6,8

Socket



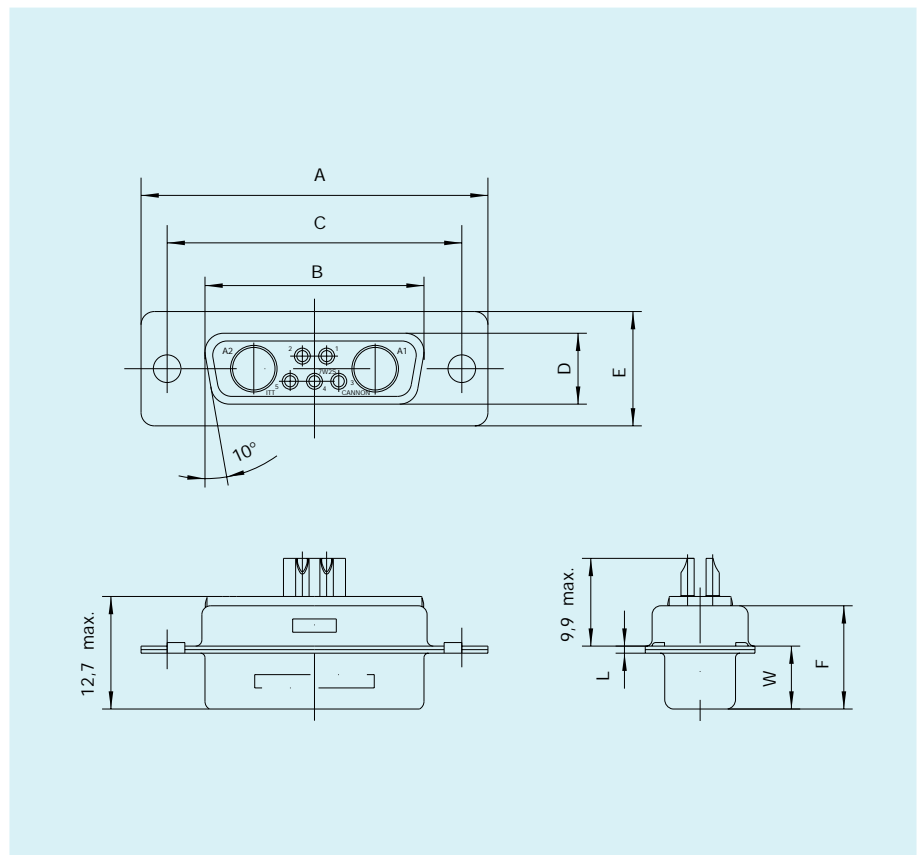
- For contact cavity arrangements, see page 53.
- For mounting methods, see page 86 – 87.
- For panel cut-outs, see our D Subminiature catalogue.

Solder cup, sizes DE – DC, with empty size 8 cavities

Shell size	Layout	P/N with through hole 3,05 mm	P/N with M3 clinch nut	P/N with dual float mount
DE	5W1	DEM-5W1S-A191-A197	DEM-5W1S-A191-A197	DEMY-5W1S-A191-A197
DA	7W2	DAM-7W2S-A191-A197	DAM-7W2S-A191-A197	DAMY-7W2S-A191-A197
DA	11W1	DAM-11W1S-A191-A197	DAM-11W1S-A191-A197	DAMY-11W1S-A191-A197
DA	3W3	DAM-3W3S-A197	DAM-3W3S-A197	DAMY-3W3S-A197
DA	3WK3	DAM-3WK3S-A197	DAM-3WK3S-A197	DAMY-3WK3S-A197
DB	5W5	DBM-5W5S-A197	DBM-5W5S-A197	DBMY-5W5S-A197
DB	9W4	DBM-9W4S-A191-A197	DBM-9W4S-A191-A197	DBMY-9W4S-A191-A197
DB	13W3	DBM-13W3S-A191-A197	DBM-13W3S-A191-A197	DBMY-13W3S-A191-A197
DB	17W2	DBM-17W2S-A191-A197	DBM-17W2S-A191-A197	DBMY-17W2S-A191-A197
DB	21W1	DBM-21W1S-A191-A197	DBM-21W1S-A191-A197	DBMY-21W1S-A191-A197
DC	8W8	DCM-8W8S-A197	DCM-8W8S-A197	DCMY-8W8S-A197
DC	13W6	DCM-13W6S-A191-A197	DCM-13W6S-A191-A197	DCMY-13W6S-A191-A197
DC	17W5	DCM-17W5S-A191-A197	DCM-17W5S-A191-A197	DCMY-17W5S-A191-A197
DC	21WA4	DCM-21WA4S-A191-A197	DCM-21WA4S-A191-A197	DCMY-21WA4S-A191-A197
DC	25W3	DCM-25W3S-A191-A197	DCM-25W3S-A191-A197	DCMY-25W3S-A191-A197
DC	27W2	DCM-27W2S-A191-A197	DCM-27W2S-A191-A197	DCMY-27W2S-A191-A197

For performance class 1 replace A191 with A190.  
For performance class 3 delete A191.

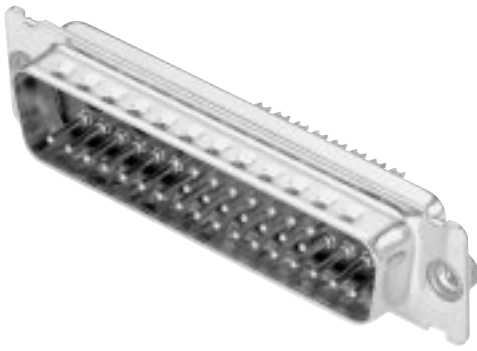
For clinch nut 4-40 UNC thread replace X with E.  
3W3/3WK3 (keyed) 5W5 and 8W8 without signal contacts.



Dimensions

Shell size	A	B	C	D	E	F	L	W
	±0,38	±0,13	±0,13	±0,13	±0,13	±0,25	+0,2	±0,4
DE	30,8	16,35	25	7,9	12,55	10,9	0,8	6,95
DA	39,15	24,65	33,3	7,9	12,55	10,9	0,8	6,95
DB	53,05	38,4	47,05	7,9	12,55	10,9	0,8	6,95
DC	69,3	54,85	63,5	7,9	12,55	10,9	0,8	6,95

Pin



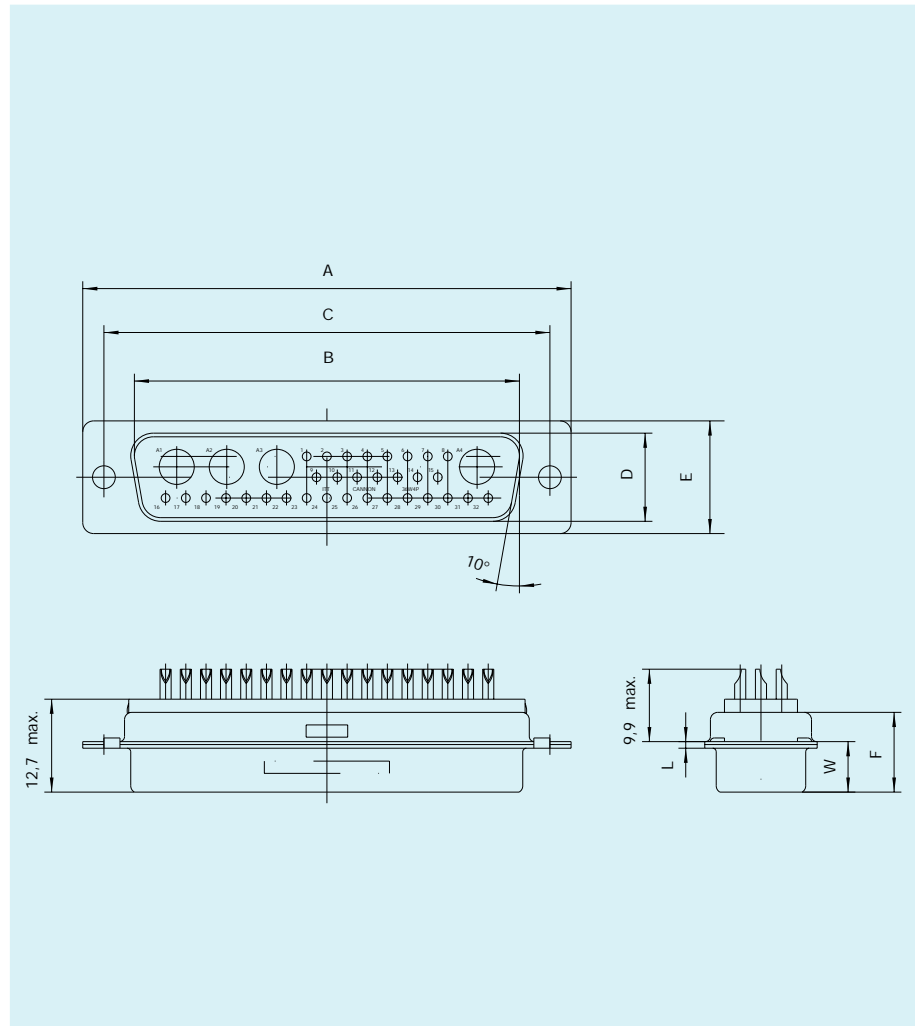
Solder cup, size DD, with empty size 8 cavities

Shell size	Layout	P/N with through hole 3,05 mm	P/N with M3 clinch nut	P/N with dual float mount
DD	24W7	DDM-24W7P-A191-K87	DDMX-24W7P-A191-K87	DDMY-24W7P-A191-K87
DD	36W4	DDM-36W4P-A191-K87	DDMX-36W4P-A191-K87	DDMY-36W4P-A191-K87
DD	43W2	DDM-43W2P-A191-K87	DDMX-43W2P-A191-K87	DDMY-43W2P-A191-K87
DD	47W1	DDM-47W3P-A191-K87	DDMX-47W3P-A191-K87	DDMY-47W3P-A191-K87

For performance class 1 replace A191 with A190.  
For performance class 3 delete A191.

For clinch nut 4-40 UNC thread replace X with E.

- For contact cavity arrangements, see page 52.
- For mounting methods, see page 86 – 87.
- For panel cut-outs, see our D Subminiature catalogue.



Dimensions

Shell size	A	B	C	D	E	F	L	W
	±0,38	±0,13	±0,13	±0,13	±0,13	±0,25	+0,2	±0,4
DD	66,95	52,8	61,1	11,1	15,4	10,8	0,9	6,85

## Socket



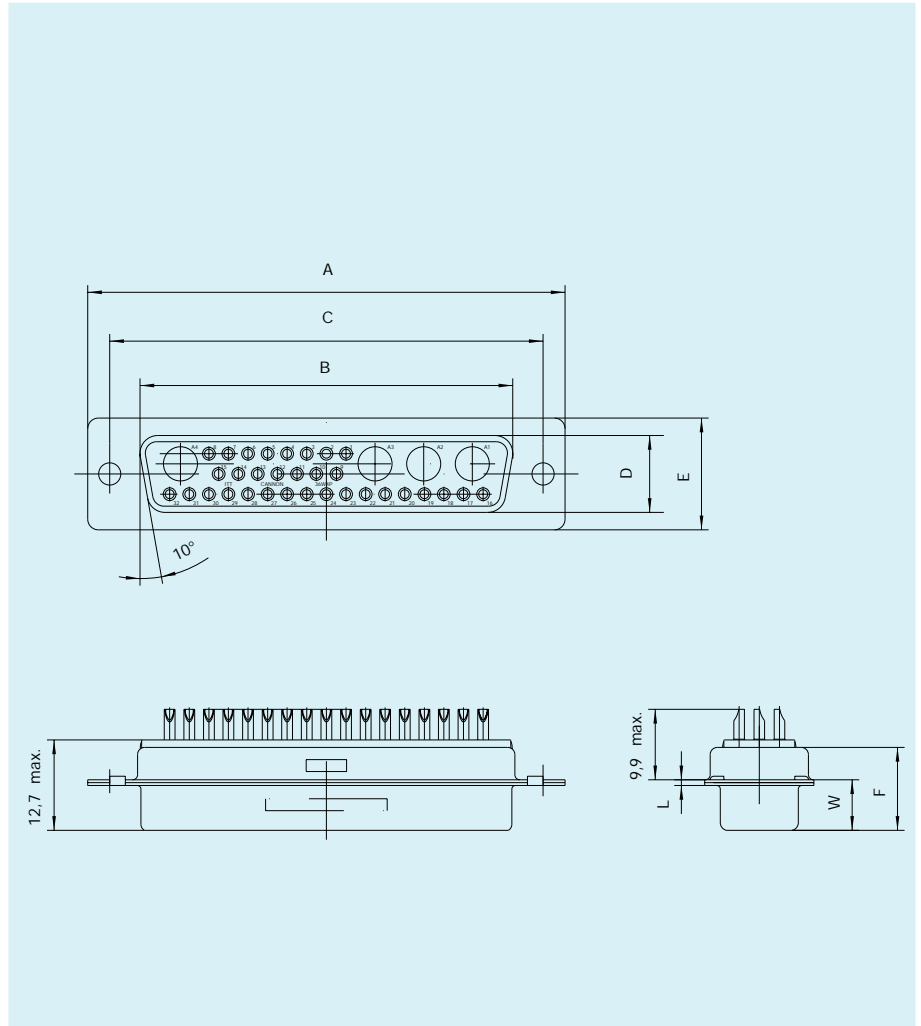
## Solder cup, size DD, with empty size 8 cavities

Shell size	Layout	P/N with through hole 3,05 mm	P/N with M3 clinch nut	P/N with dual float mount
DD	24W7	DDM-24W7S-A191-A197	DDMX-24W7S-A191-A197	DDMY-24W7S-A191-A197
DD	36W4	DDM-36W4S-A191-A197	DDMX-36W4S-A191-A197	DDMY-36W4S-A191-A197
DD	43W2	DDM-43W2S-A191-A197	DDMX-43W2S-A191-A197	DDMY-43W2S-A191-A197
DD	47W1	DDM-47W1S-A191-A197	DDMX-47W1S-A191-A197	DDMY-47W1S-A191-A197

For performance class 1 replace A191 with A190.  
For performance class 3 delete A191.

For clinch nut 4-40 UNC thread replace X with E.

- For contact cavity arrangements, see page 53.
- For mounting methods, see page 86 – 87.
- For panel cut-outs, see our D Subminiature catalogue.

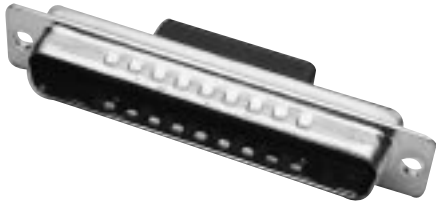


## Dimensions

Shell size	A	B	C	D	E	F	L	W
	±0,38	±0,13	±0,13	±0,13	±0,13	±0,25	+0,2	±0,4
DD	66,95	52,4	61,1	10,75	15,4	10,9	0,8	6,95



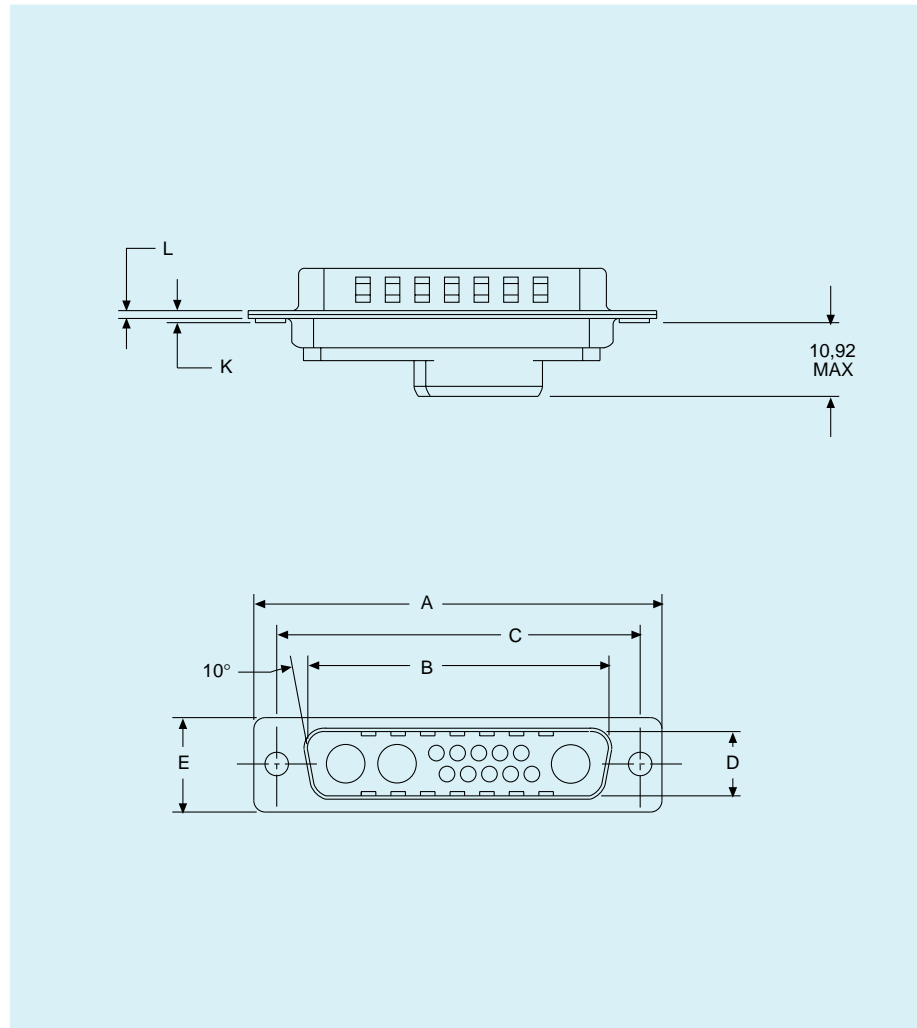
Pin



Crimp cable connectors without contacts, sizes DA – DD

Shell size	Layout	Part number
DA	7W2	DAA7W2PK87FO
DA	11W1	DAA11W1PK87FO
DA	3W3	DAA3W3PK87FO
DB	5W5	DBA5W5PK87FO
DB	9W9	DBA9W9PK87FO
DB	13W3	DBA13W3PK87FO
DB	17W2	DBA17W2PK87FO
DB	21W1	DBA21W1PK87FO
DC	8W8	DCA8W8PK87FO
DC	21WA4	DCA21WA4PK87FO
DD	24W7	DDA24W7PK87FO

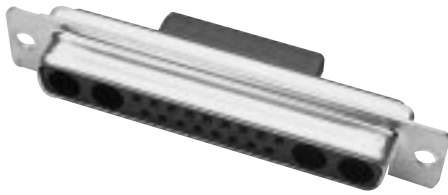
- For contact cavity arrangements, see page 52.
- For crimp contacts size 20, see page 42.
- For mounting methods, see page 86 – 87.
- For size 8 contacts see pages 44 – 51.



Dimensions

Shell size	A ± 0,38	B ± 0,8	C ± 0,13	D ± 0,13	E ± 0,38	F ± 0,25	K ± 0,32	K ± 0,25	L + 0,25
DA	39,15	25,25	33,3	8,35	12,55	10,7	1,21	-	0,8
DB	53,05	38,95	47,05	8,35	12,55	10,8	-	1,52	0,9
DC	69,3	55,4	63,5	8,35	12,55	10,8	-	1,52	0,9
DD	66,93	52,81	61,11	11,07	15,37	10,8	-	1,52	0,9

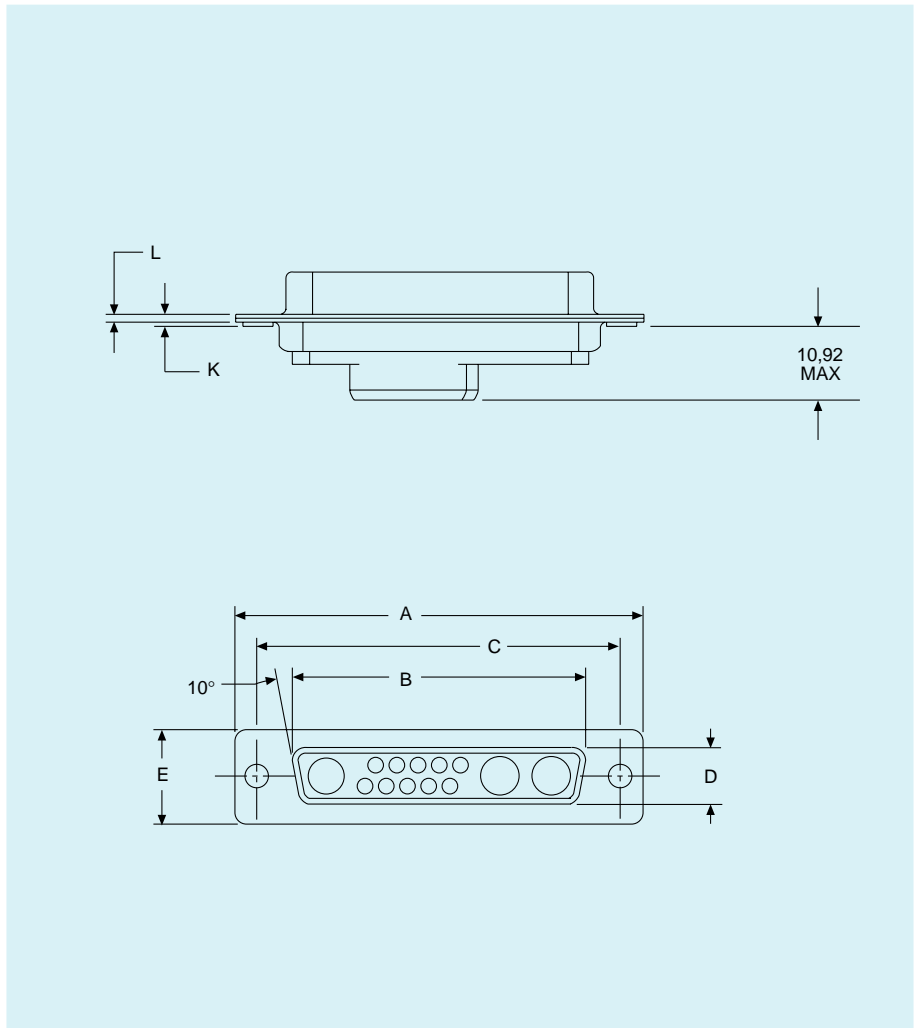
Socket



Crimp cable connectors without contacts, sizes DA – DD

Shell size	Layout	Part number
DA	7W2	DAA7W2PA197FO
DA	11W1	DAA11W1PA197FO
DA	3W3	DAA3W3PA197FO
DB	5W5	DBA5W5PA197FO
DB	9W9	DBA9W9PA197FO
DB	13W3	DBA13W3PA197FO
DB	17W2	DBA17W2PA197FO
DB	21W1	DBA21W1PA197FO
DC	8W8	DCA8W8PA197FO
DC	21WA4	DCA21WA4PA197FO
DD	24W7	DDA24W7PA197FO

- For contact cavity arrangements, see page 53.
- For crimp contacts size 20, see page 42.
- For mounting methods, see page 86 – 87.
- For size 8 contacts see pages 44 – 51.



Dimensions

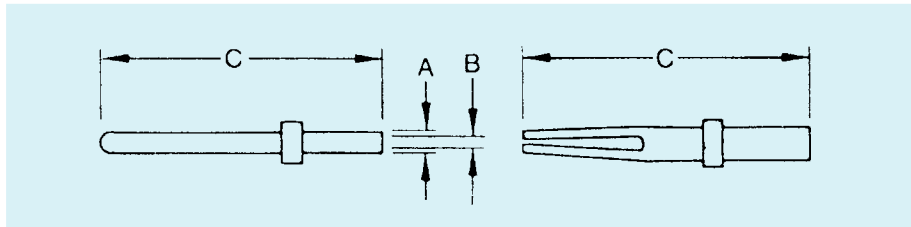
Shell size	A	B	C	D	E	F	K	L
	± 0,38	± 0,13	± 0,13	± 0,13	± 0,38	± 0,25	± 0,32	+ 0,25
DA	39,15	24,65	33,3	7,9	12,55	10,9	1,21	0,8
DB	53,05	38,4	47,05	7,9	12,55	10,9	1,21	0,8
DC	69,3	54,85	63,5	7,9	12,55	10,9	1,21	0,8
DD	66,93	52,42	61,11	10,74	15,37	10,9	1,21	0,8

## Crimp Contacts Size 20

### Machined Contacts

	Pin		Socket	
Contact size AWG	30 – 26	24 – 20	30 – 26	24 – 20
Performance class 3	330-7707-010	330-7707-000	330-77087-010	330-7708-000
Performance class 2	330-7707-011	330-7707-001	330-77087-011	330-7708-001

AWG size		A ± 0,05	B ± 0,05	C max.
24 – 20	Pin	1,7	1,0	14,2
	Socket	1,7	1,0	13,7
30 – 26	Pin	1,7	0,6	14,2
	Socket	1,7	0,6	13,7



### Machined Contacts acc to MIL-C-39029

Contact size AWG	30 – 26	24 – 20	30 – 26	24 – 20
Performance class 3	330-5291-004	031-1007-004	330-5291-000	031-1007-000
Performance class 2	330-5291-050	031-1007-048	330-5291-037	031-1007-042

## Tooling

For tooling see pages 88 – 89.

### MIL-C-39029 Cross Reference List

Contact size AWG	MIL / M39029	/ MIL24308*	Cannon Part Number
20 / 22 724	/ 64-368	/ 11-1	330-5291-037
20 / 22 724	/ 64-368	/ 10-1	031-1007-042

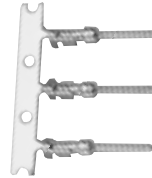
\* Superseded by M39029

## Crimp Contacts Size 20

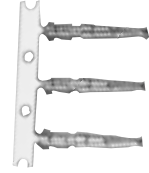
### Contacts on Reels (5000 pcs / reel)

Stamped contacts with insulation support are supplied on reels of 5000 for use with semi-automatic strip and crimp machines. Two sizes are available to accommodate wire ranges 20 – 26 AWG.

### Pin Contacts



### Socket Contacts



### Part Numbers

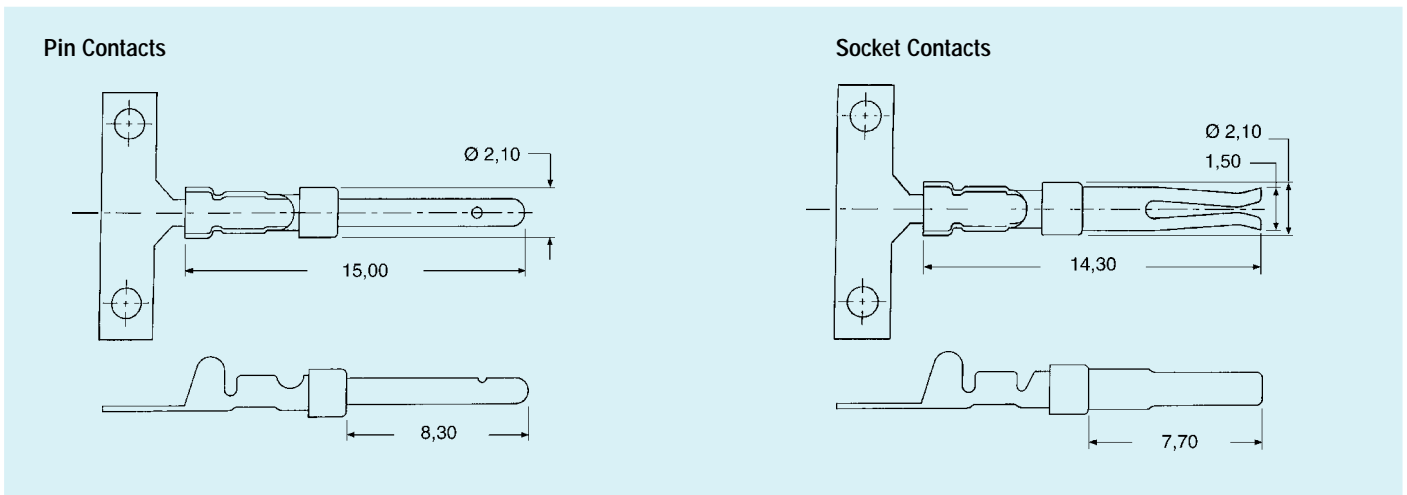
AWG 24 - 26	AWG 20 - 24
980-2000-925	980-2000-924
980-2000-946	980-2000-945

### Part Numbers

AWG 24 - 26	AWG 20 - 24
980-2000-926	980-2000-923
980-2000-944	980-2000-943

Finish
Gold flash over Nickel (Performance class 3)
Gold over Nickel (-A191 / Performance class 2)

Semi-automatic crimp tool see D Subminiature catalogue 1997

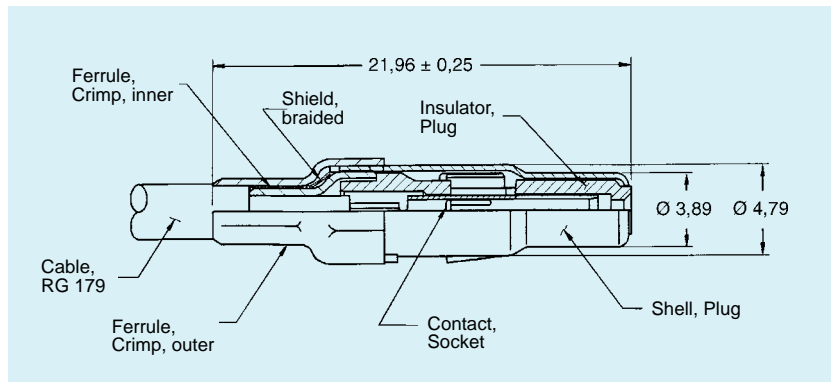


## Tooling

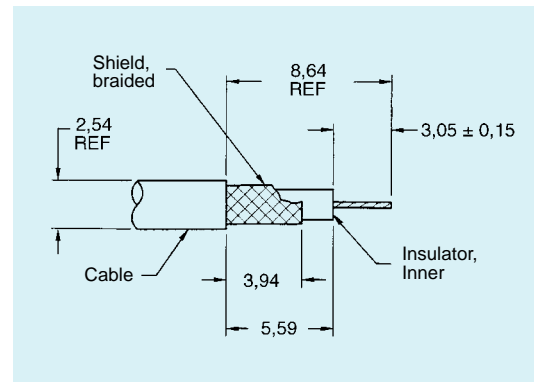
For tooling see pages 88 – 89.

Loose Contacts Size 8 – Coaxial 75 Ohm, Straight

Stamped Crimp/Crimp



Recommended Wire Trim Dimensions



Kit (Body, Ferrule, Center Contact)

Stamped Crimp/Crimp	Kit Gold over Ni	Kit 0,76 µm Gold over Ni	Kit 1,27 µm Gold over Ni	RG Cable Number
Plug	D130322-2	D130322-1	D130322-6	179/U
Receptacle	D130344-1	D130344	D130344-2	179/U

Loose Components for High Volume (3 Pieces – Body, Ferrule, Center Contact)

Stamped Crimp/Crimp	Body	Ferrule	Center Contact Gold over Ni 10,000 Reel	Center Contact 30 µin. Gold over Ni 10,000 Reel
Plug	249-2272-000	304-0444-000	110238-1015	110238-1012
Receptacle	249-2271-000	304-0444-000	110238-1014	110238-1013

Tooling for Stamped Crimp/Crimp



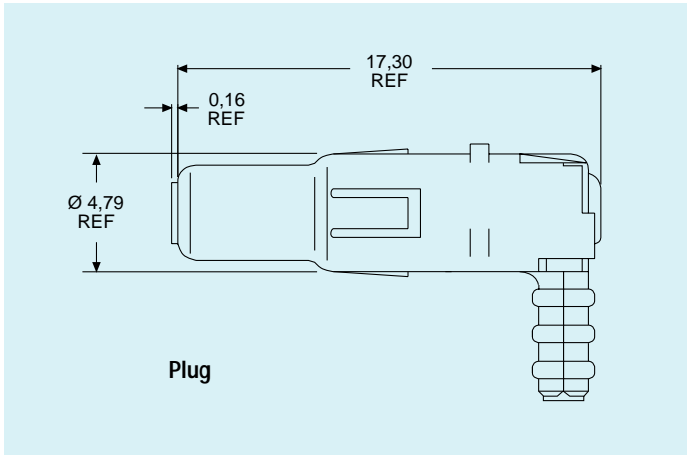
Description	Crimping Tool	Tool Number
Stamped Center Conductor	Hand Crimp, „B“ Crimp	CCTP-750HM
Stamped Outer Conductor	Semi-Automatic Crimper	ABT-607 (Leased)
Stamped Outer Conductor	Hand Tool, Hex Crimp	CCTP-DM
Stamped Outer Conductor	Pneumatic Hex Crimp	995-2000-094

For semi-automatic tooling, see page 88 – 89.

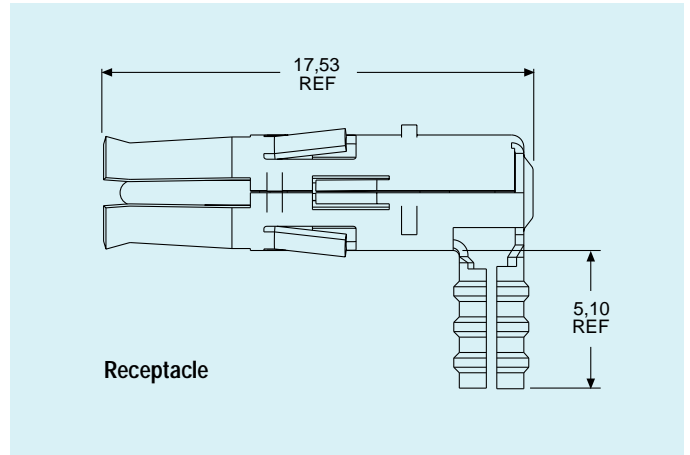
Loose Contacts Size 8 – Coaxial 75 Ohm – 90°

90° Crimp Braid/Solder Center Contact

Part Numbers	Gold over Ni	0,76 µm Gold over Ni	1,27 µm Gold over Ni
Plug	D130357-1	D130357	D130357-4
Receptacle	D130356-1	D130356	D130356-3



Note: Ferrule not shown.



Note: Ferrule not shown.

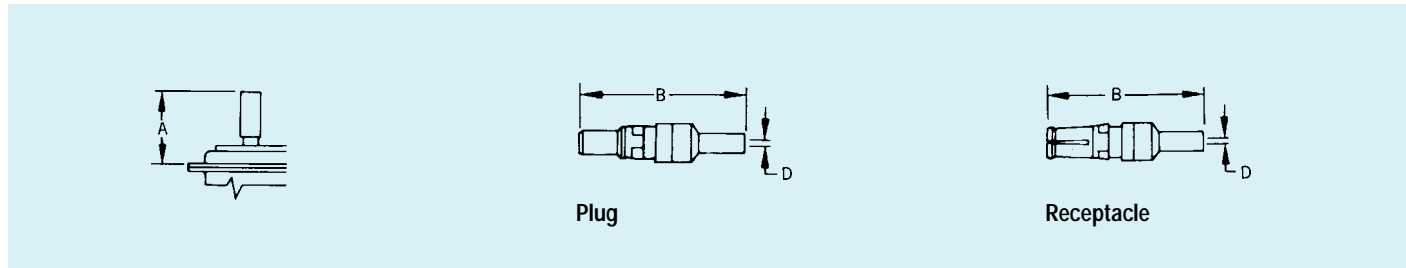
Tooling for 90° Crimp Braid



Description	Part Number
Hand Tool	995-0001-761
Die Set	995-2000-110

Loose Contacts Size 8 – Coaxial 50 Ohm, Straight

Straight Crimp Braid

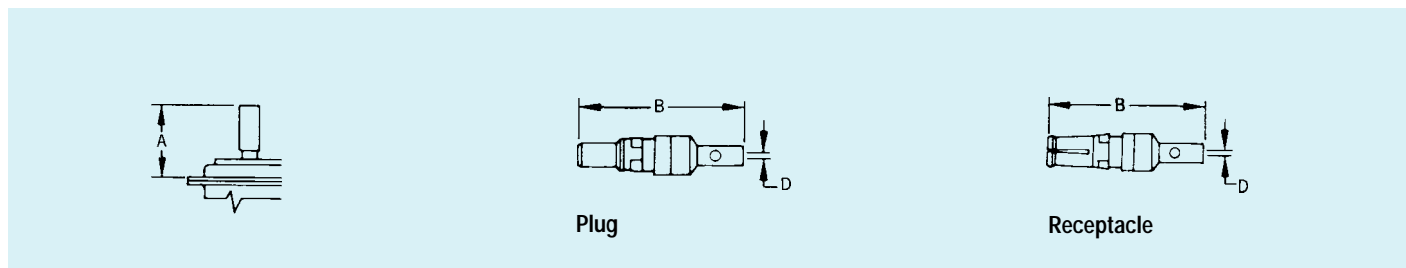


Note: Dimensions include outer sleeve.

	Part Number	Part Number	A max	B max	D min	RG Cable Number	
	Gold over Nickel	1,27 µm Gold over Copper				old	new
Plug	DM53740	DM35740-17	18,80	24,00	1,00	196/U	178B/U
Plug	DM53740-1	DM53740-15	18,80	24,00	1,70	187/U 188/U	179B/U 316B/U
Plug	DM53740-35	-	18,80	24,00	1,70	-	RD316
Plug	DM53740-3	DM53740-16	21,50	26,34	2,79	195/U	180B/U
Plug	DM53740-5	DM53740-18	21,50	26,34	3,18	58/U	58B/U
Receptacle	DM53742	DM53742-18	18,80	24,00	1,00	196/U	178B/U
Receptacle	DM53742-1	DM53742-16	18,80	24,00	1,70	187/U 188/U	179B/U 316B/U
Receptacle	DM53742-36	-	18,80	24,00	1,70	-	RD316
Receptacle	DM53742-3	DM53742-17	21,50	26,34	2,79	195/U	180B/U
Receptacle	DM53742-5	DM53742-19	21,50	26,34	3,18	58/U	58B/U

For Crimp tooling, see page 88 – 89.

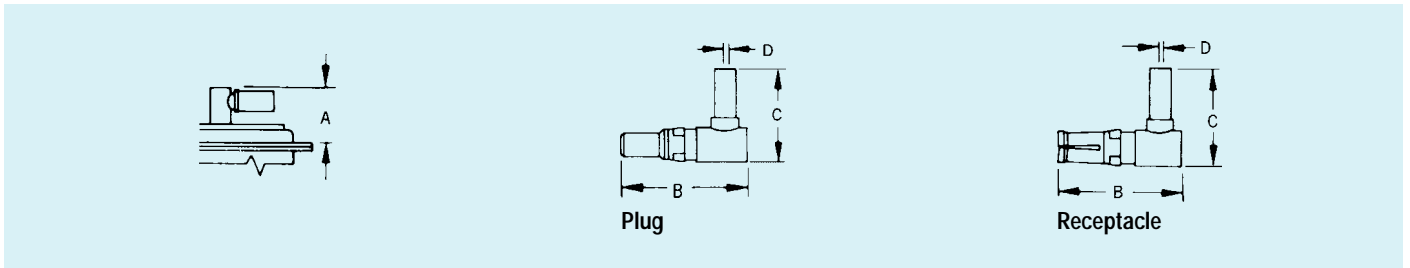
Straight Solder Braid



	Part Number	Part Number	A max	B max	D min	RG Cable Number	
	Gold over Nickel	1,27 µm Gold over Copper				old	new
Plug	DM53740-5008	DM53740-5105	18,80	24,00	1,00	196/U	178B/U
Plug	DM53740-5001	DM53740-5099	18,80	24,00	1,70	187/U 188/U	179B/U 316B/U
Plug	DM53740-5145	-	18,80	24,00	1,70	-	RD316
Plug	DM53740-5002	DM53740-5104	21,50	26,34	2,79	195/U	180B/U
Plug	DM53740-5005	DM53740-5101	21,50	26,34	3,18	58/U	58/U
Plug	DM53740-5000	DM53740-5100	17,00	22,20	1,14	196/U	178B/U
Receptacle	DM53742-5006	DM53742-5092	18,80	24,00	1,00	196/U	178B/U
Receptacle	DM53742-5001	DM53742-5089	18,80	24,00	1,70	187/U 188/U	179B/U 316B/U
Receptacle	DM53742-5126	-	18,80	24,00	1,70	-	RD316
Receptacle	DM53742-5002	DM53742-5091	21,50	26,34	2,79	195/U	180B/U
Receptacle	DM53742-5004	DM53742-5086	21,50	26,34	3,18	58/U	58/U
Receptacle	DM53742-5000	DM53742-5085	17,00	22,20	1,14	196/U	178B/U

## Loose Contacts Size 8 – Coaxial 50 Ohm, 90°

### 90° Crimp Braid

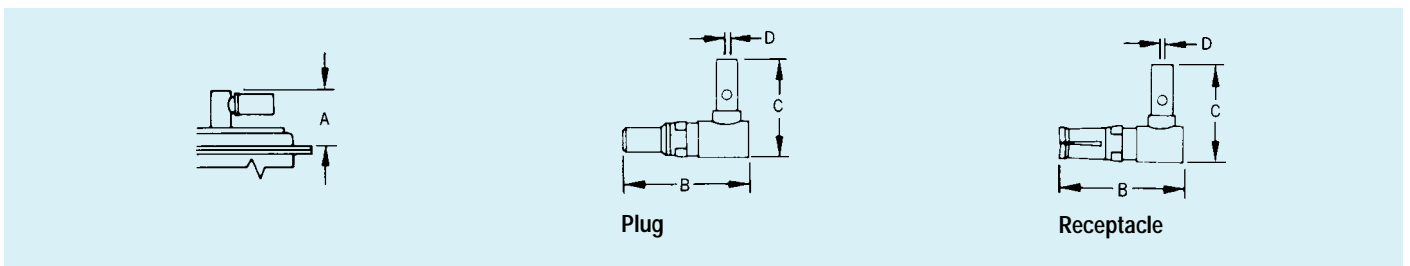


Note: Dimensions include outer sleeve.

	Part Number Gold over Nickel	Part Number 1,27 µm Gold over Copper	A max	B max	C	D ±0,13	RG Cable Number old	RG Cable Number new
Plug	DM53741	DM53741-12	13,46	18,92	15,10	1,14	196/U	178B/U
Plug	DM53741-1	DM53741-11	13,46	18,92	15,10	1,83	187/U 188/U	179B/U 316B/U
Plug	DM53741-3	DM53741-10	13,46	18,92	16,00	2,79	195/U	180B/U
Plug	DM53741-4	DM53741-13	13,46	18,92	16,00	3,18	58/U	58B/U
Receptacle	DM53743-2	DM53743-18	13,46	18,92	15,09	1,14	196/U	178B/U
Receptacle	DM53743-3	DM53743-16	13,46	18,92	15,09	1,83	187/U 188/U	179B/U 316B/U
Receptacle	DM53743-5	DM53743-17	13,46	18,92	16,00	2,79	195/U	180B/U
Receptacle	DM53743-6	DM53743-19	13,46	18,92	16,00	3,18	58/U	58B/U

For Crimp tooling, see page 88 – 89.

### 90° Solder Braid



	Part Number Gold over Nickel	Part Number 1,27 µm Gold over Copper	A max	B max	C	D ±0,13	RG Cable Number old	RG Cable Number new
Plug	DM53741-5000	DM53741-5059	13,46	18,92	15,10	1,00	196/U	178B/U
Plug	DM53741-5001	DM53741-5062	13,46	18,92	15,10	1,70	187/U 188/U	179B/U 316B/U
Plug	DM53741-5003	DM53741-5063	13,46	18,92	16,00	2,79	195/U	180B/U
Plug	DM53741-5004	DM53741-5060	13,46	18,92	16,00	3,18	58/U	58B/U
Receptacle	DM53743-5000	DM53743-5073	13,46	18,92	15,09	1,00	196/U	178B/U
Receptacle	DM53743-5001	DM53743-5076	13,46	18,92	15,09	1,70	187/U 188/U	179B/U 316B/U
Receptacle	DM53743-5003	DM53743-5077	13,46	18,92	16,00	2,79	195/U	180B/U
Receptacle	DM53743-5004	DM53743-5074	13,46	18,92	16,00	3,18	58/U	58B/U

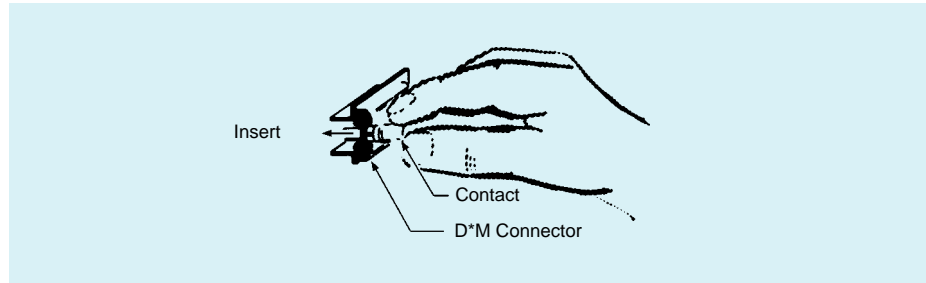


Insertion / Extraction Instructions for Coaxial, High Power and High Voltage Contacts

**Insertion Tool**

No insertion tool is required. The contact is easily snapped in from the rear of the connector manually.

**Insertion Instructions**

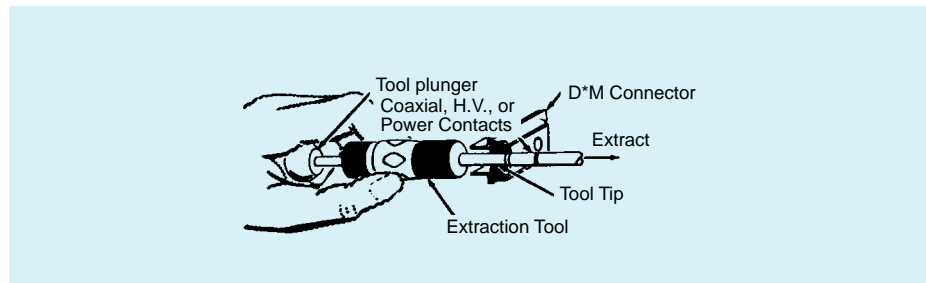


**Extraction Tool**

CET-CGB-2



**Operating Instructions**



The CET-C6B-2 tool extracts all coaxial, high power and high voltage contacts (plug and receptacle).

To extract the coaxial contact, hold the tool by the body and insert the tip into the front of the contact cavity until it bottoms and closes the coaxial retaining ring. Holding the body in this position securely enough to keep coaxial retaining ring closed, push the plunger; contact will be pushed out of the rear of the assembly.

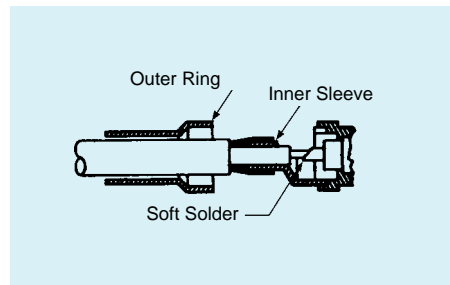
Description	Part Number
CET-C6B-2	070064-0002

## Coaxial Assembly Instructions

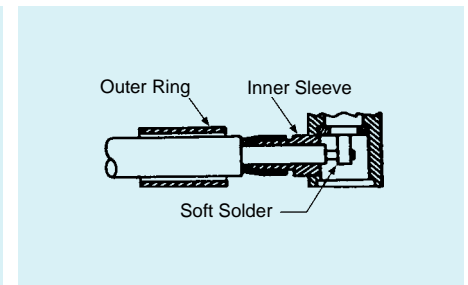
### Straight and 90° Coaxial Assembly Step 1:

Slide the outer ring over the cable jacket. Trim the cable as specified in the table of Coaxial Cable Trim Dimensions (see this page). Insert the cable dielectric and center conductor into the inside diameter of the inner sleeve. Then solder the center conductor to the coaxial center contact.

#### Straight Coaxial



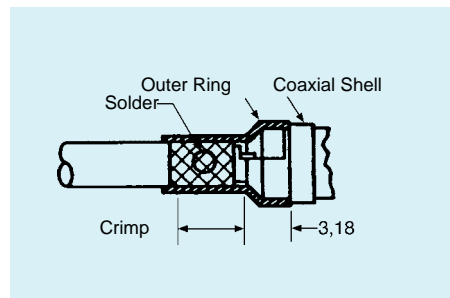
#### 90° Coaxial



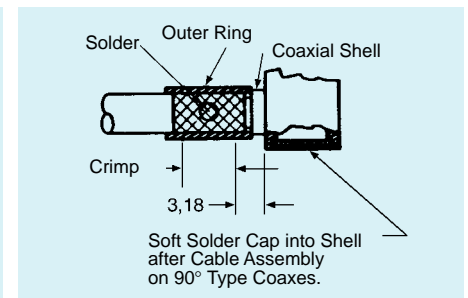
### Straight and 90° Coaxial Assembly Step 2:

Slide the outer ring forward until it is flush with the coaxial shell containing the braid between the outer ring and the inner sleeve. For solder type coaxes, soft solder the outer ring to the assembly through the cross-drilled solder hold. For crimp type coaxes, crimp with the appropriate tool in the area defined.

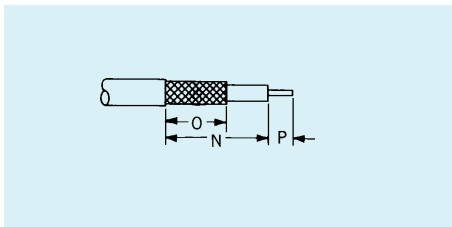
#### Straight Coaxial



#### 90° Coaxial



### Coaxial Cable Trim Dimensions



#### Straight Coaxial

RG Cable Number	N	O	P
196/U, 178B/U, 187/U, 188/U, 179B/U, 316B/U	7,92	6,35	1,98
195/U, 180B/U, 58/U, 58B/U	9,52	7,92	1,98

#### 90° Coaxial

RG Cable Number	N	O	P
196/U, 178B/U, 187/U, 188/U, 179B/U, 316B/U	9,52	5,94	1,57
195/U, 180B/U, 58/U, 58B/U	10,69	7,92	2,39

### Crimp Tooling

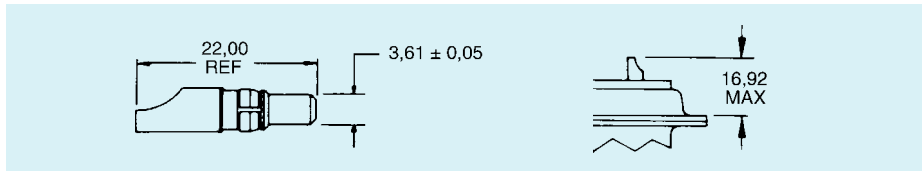


RG Cable Number	Tool Part Number	Description	Closure
196/U, 178B/U	070051-0000	CCT-DM	C
187/U, 179B/U, 188/U, 316B/U	070051-0000	CCT-DM	B
195/U, 180B/U, 58/U, 58B/U	070051-0000	CCT-DM	A

Hand Tool with integral die set for all coaxial straight crimp braid.

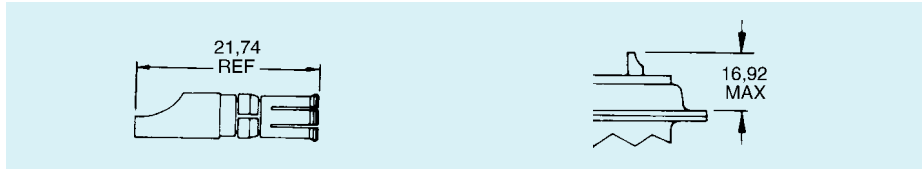
Loose Contacts Size 8 – High Power, Solder

Plug



Part Number Gold over Nickel	Part Number 1,27 µm Gold over Nickel	Current Rating A	Wire Size AWG
DM53745-1	DM53745-28	40	8
DM53745-7	DM53745-27	20	12
DM53745-8	DM53745-25	10	16

Receptacle



Part Number Gold over Nickel	Part Number 1,27 µm Gold over Nickel	Current Rating A	Wire Size AWG
DM53744-1	DM53744-21	40	8
DM53744-6	DM53744-25	20	12
DM53744-7	DM53744-24	10	16

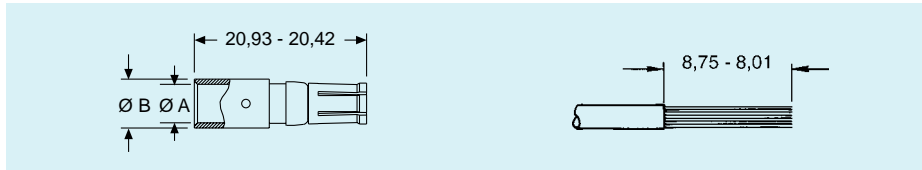
Cable (Size 8) Loose Contacts – High Power – Crimp

Plug



Part Number Gold over Ni	Part Number 0,76 µm Gold over Ni	Part Number 1,27 µm Gold over Ni	A	B	Current Rating A	Wire Size AWG
DM130338-4	DM130338	DM130338-1	4,60	5,84	40	8
DM130339-4	DM130339	DM130339-1	2,54	5,54	20	12
DM130340-4	DM130340	DM130340-1	1,07	2,59	10	16

Receptacle



Part Number Gold over Ni	Part Number 0,76 µm Gold over Ni	Part Number 1,27 µm Gold over Ni	A	B	Current Rating A	Wire Size AWG
DM130341-4	DM130341	DM130341-1	4,60	5,84	40	8
DM130342-4	DM130342	DM130342-1	2,54	5,54	20	12
DM130343-4	DM130343	DM130343-1	1,07	2,59	10	16

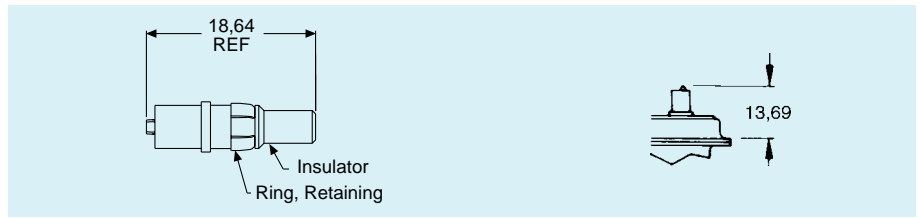
High Power Crimp Tooling



Wire Size AWG	Crimp Tool	Tool Setting Number	Locator
8 AWG	M300-BT	6	TP968
10 AWG	M300-BT	5	TP968
12/14 AWG	M300-BT	1	TP968
16 AWG	FT-8	6	TH554
18 AWG	FT-8	5	TH554

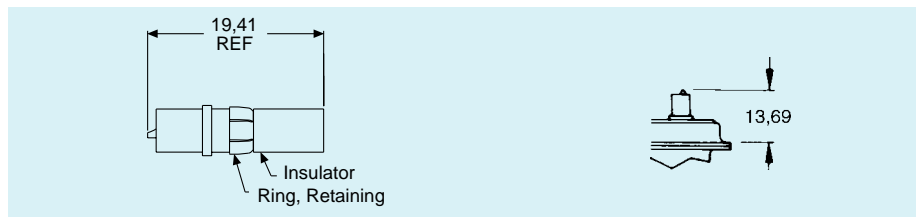
Loose Contacts Size 8 – High Voltage, Straight

Plug



Part Number Gold over Nickel	Part Number 1,27 µm Gold	Wire Size AWG
DM51157	DM51157-8	20

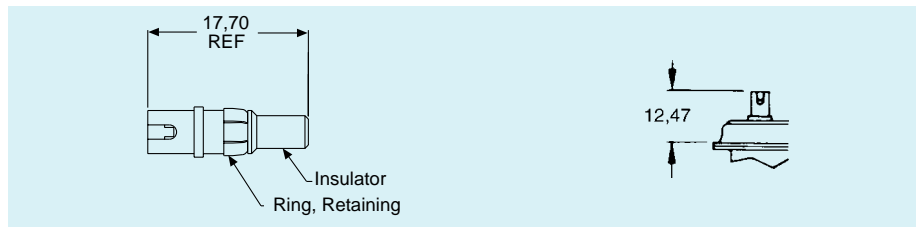
Receptacle



Part Number Gold over Nickel	Part Number 1,27 µm Gold	Wire Size AWG
DM51155	DM51155-7	20

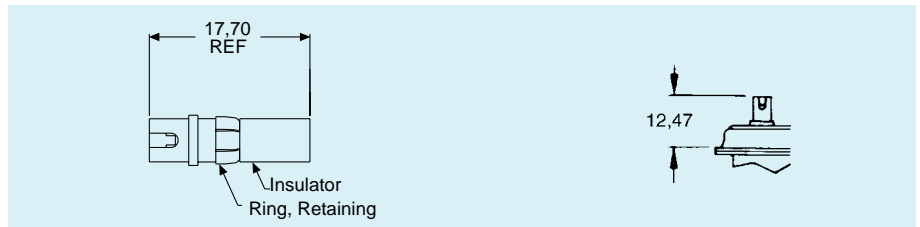
Cable (Size 8) Loose Contacts – High Voltages – 90°

Plug



Part Number Gold over nickel	Part Number 1,27 µm Gold	Wire Size AWG
DM51157-5000	DM51157-5005	20

Receptacle



Part Number Gold over Nickel	Part Number 1,27 µm Gold	Wire Size AWG
DM51155-5000	DM51155-5004	20

Pin contact cavities arrangement

Face view pin insert

Shell size	<b>E</b>	<b>A</b>	<b>A</b>	<b>A</b>	<b>A</b>
Contact arrangement	<b>5W1</b>	<b>3W3</b>	<b>3WK3</b>	<b>7W2</b>	<b>11W1</b>
Contact cavities size 20	<b>4</b>	<b>0</b>	<b>0</b>	<b>5</b>	<b>10</b>
Contact cavities size 8	<b>1</b>	<b>3</b>	<b>3</b>	<b>2</b>	<b>1</b>
Shell size	<b>B</b>	<b>B</b>	<b>B</b>		
Contact arrangement	<b>5W5</b>	<b>9W4</b>	<b>13W3</b>		
Contact cavities size 20	<b>0</b>	<b>5</b>	<b>10</b>		
Contact cavities size 8	<b>5</b>	<b>4</b>	<b>3</b>		
Shell size	<b>B</b>	<b>B</b>			
Contact arrangement	<b>17W2</b>	<b>21W1</b>			
Contact cavities size 20	<b>15</b>	<b>20</b>			
Contact cavities size 8	<b>2</b>	<b>1</b>			
Shell size	<b>C</b>	<b>C</b>	<b>C</b>		
Contact arrangement	<b>8W8</b>	<b>13W6</b>	<b>17W5</b>		
Contact cavities size 20	<b>0</b>	<b>7</b>	<b>12</b>		
Contact cavities size 8	<b>8</b>	<b>6</b>	<b>5</b>		
Shell size	<b>C</b>	<b>C</b>	<b>C</b>		
Contact arrangement	<b>21WA4</b>	<b>25W3</b>	<b>27W2</b>		
Contact cavities size 20	<b>17</b>	<b>22</b>	<b>25</b>		
Contact cavities size 8	<b>4</b>	<b>3</b>	<b>2</b>		
Shell size	<b>D</b>	<b>D</b>			
Contact arrangement	<b>24W7</b>	<b>36W4</b>			
Contact cavities size 20	<b>17</b>	<b>32</b>			
Contact cavities size 8	<b>7</b>	<b>4</b>			
Shell size	<b>D</b>	<b>D</b>			
Contact arrangement	<b>43W2</b>	<b>47W1</b>			
Contact cavities size 20	<b>41</b>	<b>46</b>			
Contact cavities size 8	<b>2</b>	<b>1</b>			

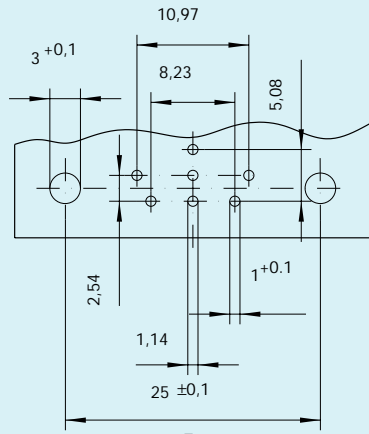
Note: size 8 cavities will accommodate removable Coaxial, High Power and High Voltage contacts

## Socket contact cavities arrangement

Face view socket insert

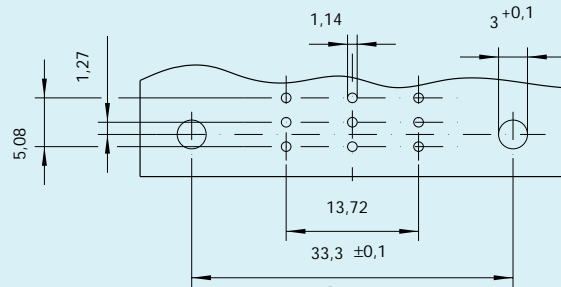
Shell size	<b>E</b>	<b>A</b>	<b>A</b>	<b>A</b>	<b>A</b>
Contact arrangement	<b>5W1</b>	<b>3W3</b>	<b>3WK3</b>	<b>7W2</b>	<b>11W1</b>
Contact cavities size 20	<b>4</b>	<b>0</b>	<b>0</b>	<b>5</b>	<b>10</b>
Contact cavities size 8	<b>1</b>	<b>3</b>	<b>3</b>	<b>2</b>	<b>1</b>
Shell size	<b>B</b>	<b>B</b>	<b>B</b>	<b>B</b>	
Contact arrangement	<b>5W5</b>	<b>9W4</b>	<b>9W4</b>	<b>13W3</b>	
Contact cavities size 20	<b>0</b>	<b>5</b>	<b>5</b>	<b>10</b>	
Contact cavities size 8	<b>5</b>	<b>4</b>	<b>4</b>	<b>3</b>	
Shell size	<b>B</b>	<b>B</b>			
Contact arrangement	<b>17W2</b>	<b>21W1</b>			
Contact cavities size 20	<b>15</b>	<b>20</b>			
Contact cavities size 8	<b>2</b>	<b>1</b>			
Shell size	<b>C</b>	<b>C</b>	<b>C</b>	<b>C</b>	
Contact arrangement	<b>8W8</b>	<b>13W6</b>	<b>13W6</b>	<b>17W5</b>	
Contact cavities size 20	<b>0</b>	<b>7</b>	<b>7</b>	<b>12</b>	
Contact cavities size 8	<b>8</b>	<b>6</b>	<b>6</b>	<b>5</b>	
Shell size	<b>C</b>	<b>C</b>	<b>C</b>	<b>C</b>	
Contact arrangement	<b>21WA4</b>	<b>25W3</b>	<b>25W3</b>	<b>27W2</b>	
Contact cavities size 20	<b>17</b>	<b>22</b>	<b>22</b>	<b>25</b>	
Contact cavities size 8	<b>4</b>	<b>3</b>	<b>3</b>	<b>2</b>	
Shell size	<b>D</b>	<b>D</b>	<b>D</b>	<b>D</b>	
Contact arrangement	<b>24W7</b>	<b>36W4</b>	<b>36W4</b>	<b>47W1</b>	
Contact cavities size 20	<b>17</b>	<b>32</b>	<b>32</b>	<b>46</b>	
Contact cavities size 8	<b>7</b>	<b>4</b>	<b>4</b>	<b>1</b>	
Shell size	<b>D</b>	<b>D</b>	<b>D</b>	<b>D</b>	
Contact arrangement	<b>43W2</b>	<b>47W1</b>	<b>47W1</b>	<b>47W1</b>	
Contact cavities size 20	<b>41</b>	<b>46</b>	<b>46</b>	<b>46</b>	
Contact cavities size 8	<b>2</b>	<b>1</b>	<b>1</b>	<b>1</b>	

Note: size 8 cavities will accommodate removable Coaxial, High Power and High Voltage contacts

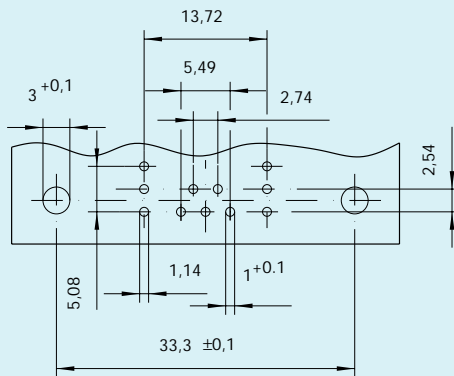


**E**  
5C1/5X1  
4  
1

Shell size  
Contact arrangement  
Contact cavities size 20  
Contact cavities size 8

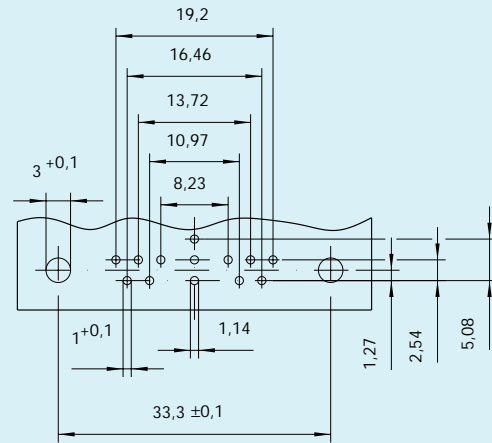


**A**  
3C3/3X3  
-  
3

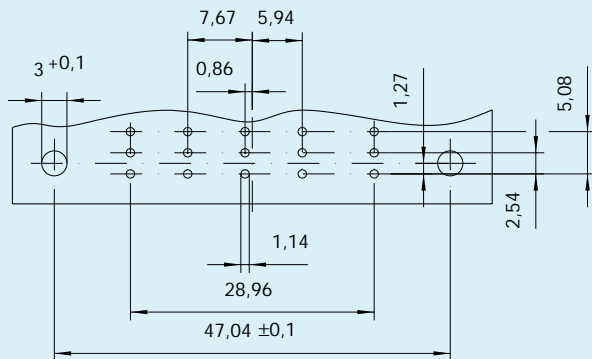


**A**  
7C2/7X2  
5  
2

Shell size  
Contact arrangement  
Contact cavities size 20  
Contact cavities size 8

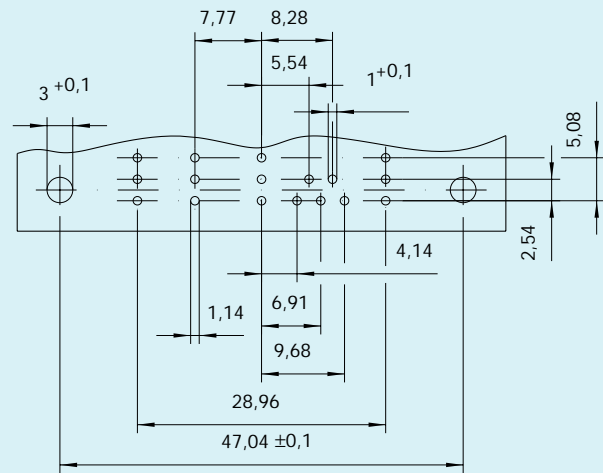


**A**  
11C1/11X1  
10  
1

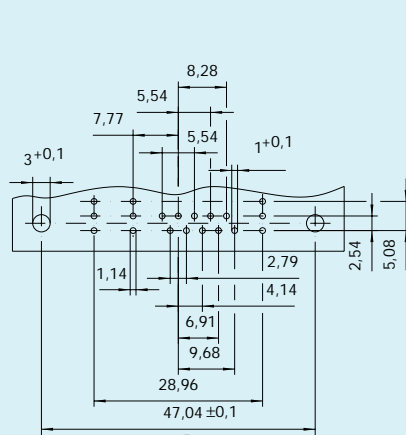


**B**  
5C5/5X5  
-  
5

Shell size  
Contact arrangement  
Contact cavities size 20  
Contact cavities size 8

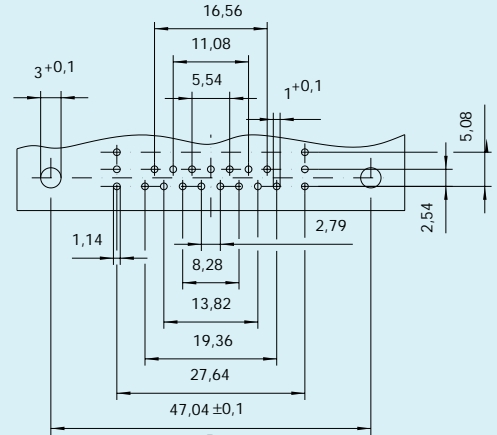


**B**  
9C4/9X4  
5  
4

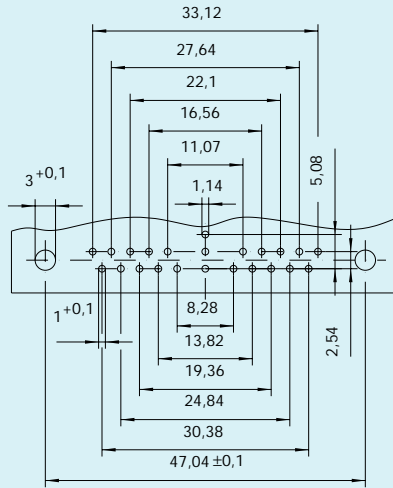


Shell size  
Contact arrangement  
Contact cavities size 20  
Contact cavities size 8

**B**  
**13C3/13X3**  
**10**  
**3**

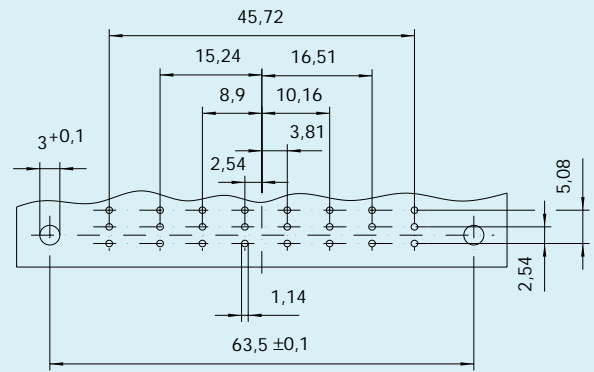


**B**  
**17C2/17X2**  
**15**  
**2**

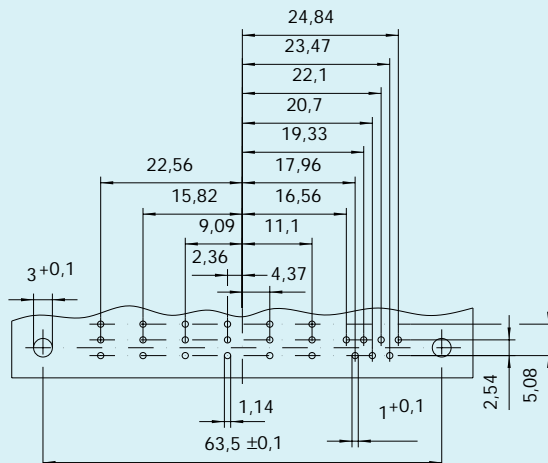


Shell size  
Contact arrangement  
Contact cavities size 20  
Contact cavities size 8

**B**  
**21C1/21X1**  
**20**  
**1**

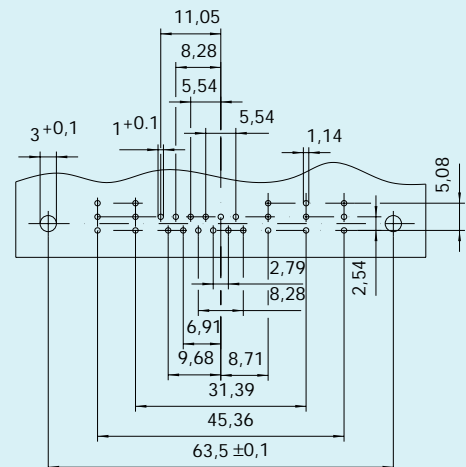


**C**  
**8C8/8X8**  
**-**  
**8**



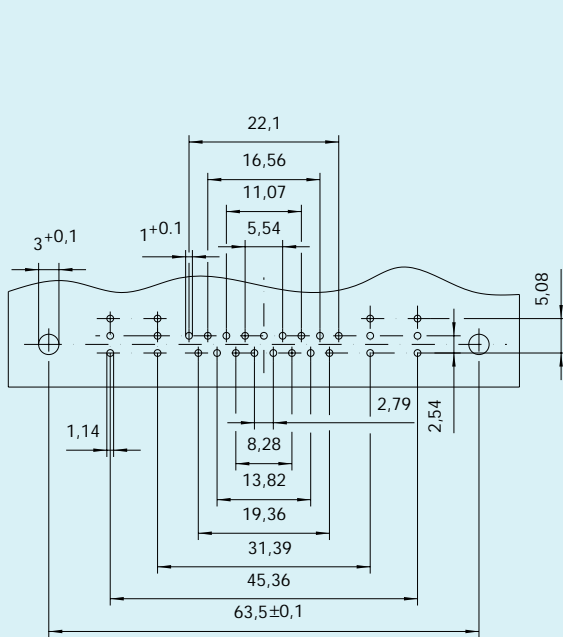
Shell size  
Contact arrangement  
Contact cavities size 20  
Contact cavities size 8

**C**  
**13C6/13X6**  
**7**  
**6**

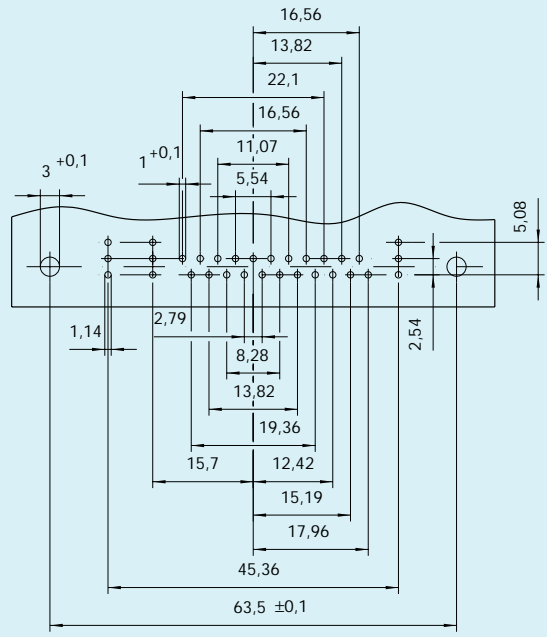


**C**  
**17C5/17X5**  
**12**  
**5**

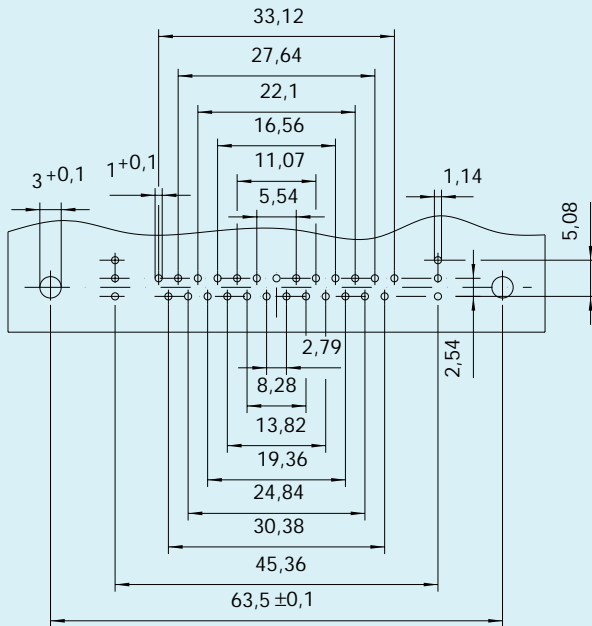




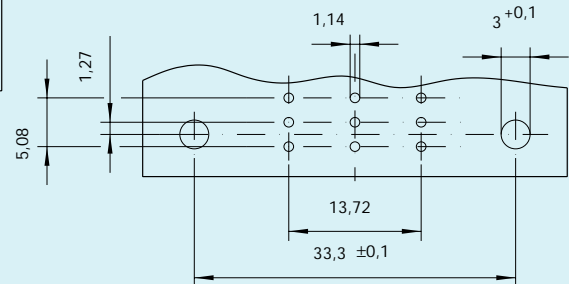
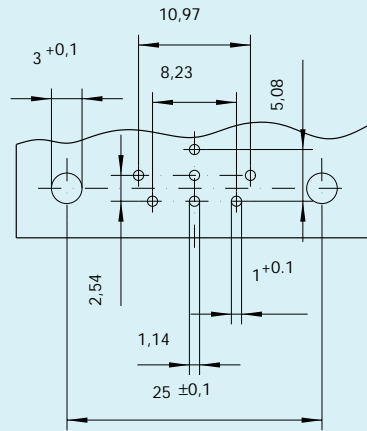
Shell size **C**  
 Contact arrangement **21CA4/21XA4**  
 Contact cavities size 20 **17**  
 Contact cavities size 8 **4**



Shell size **C**  
 Contact arrangement **25C3/25X3**  
 Contact cavities size 20 **22**  
 Contact cavities size 8 **3**



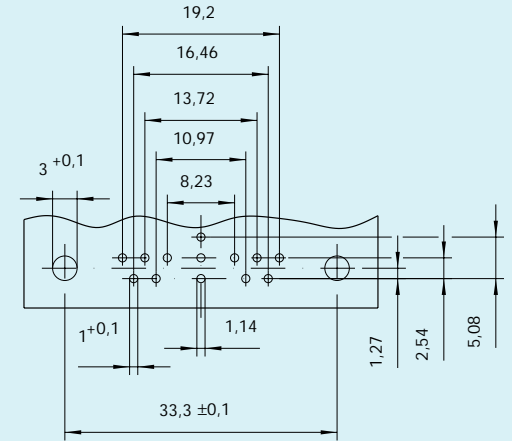
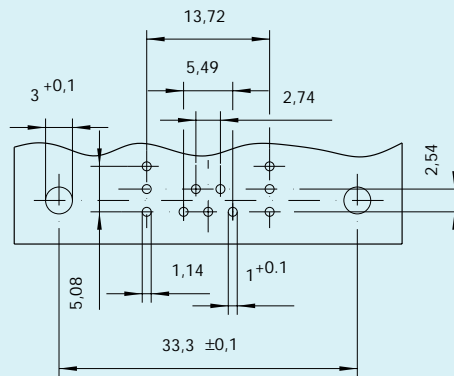
Shell size **C**  
 Contact arrangement **27C2/27X2**  
 Contact cavities size 20 **25**  
 Contact cavities size 8 **2**



Shell size  
Contact arrangement  
Contact cavities size 20  
Contact cavities size 8

**E**  
**5C1/5X1**  
**4**  
**1**

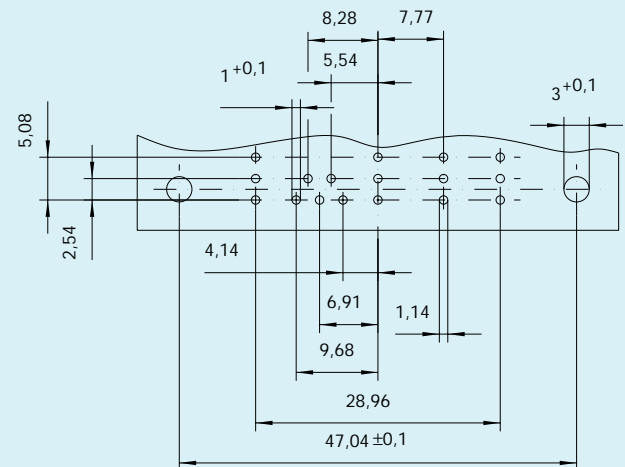
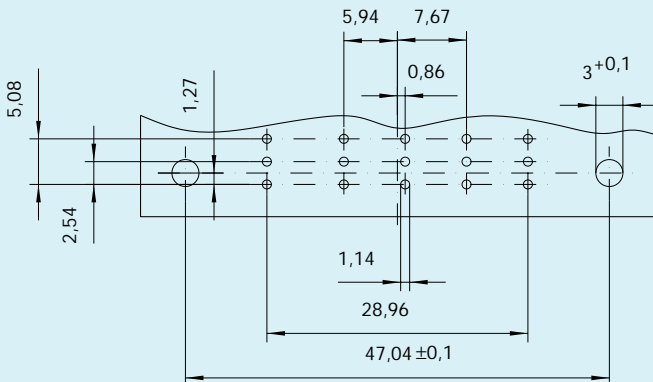
**A**  
**3C3/3X3**  
**-**  
**3**



Shell size  
Contact arrangement  
Contact cavities size 20  
Contact cavities size 8

**A**  
**7C2/7X2**  
**5**  
**2**

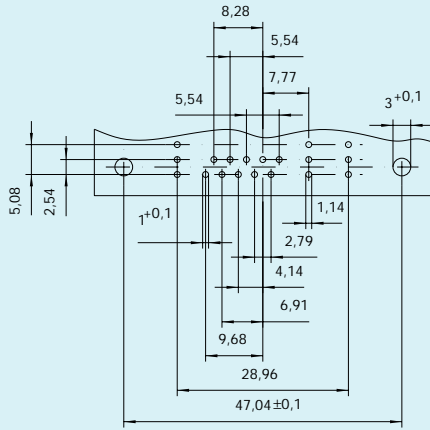
**A**  
**11C1/11X1**  
**10**  
**1**



Shell size  
Contact arrangement  
Contact cavities size 20  
Contact cavities size 8

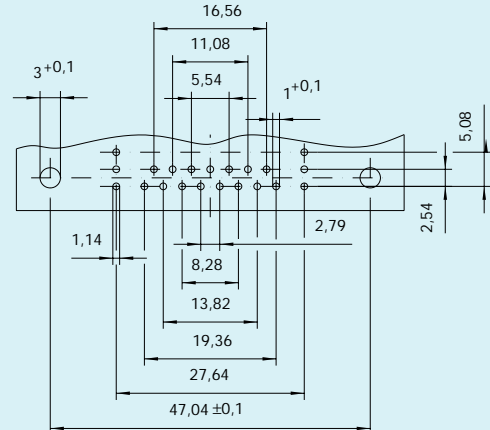
**B**  
**5C5/5X5**  
**-**  
**5**

**B**  
**9C4/9X4**  
**5**  
**4**

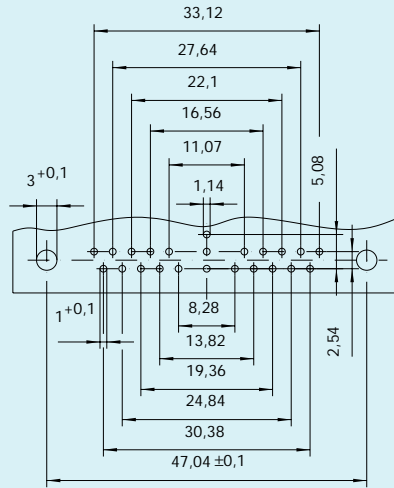


Shell size  
Contact arrangement  
Contact cavities size 20  
Contact cavities size 8

**B**  
**13C3/13X3**  
**10**  
**3**

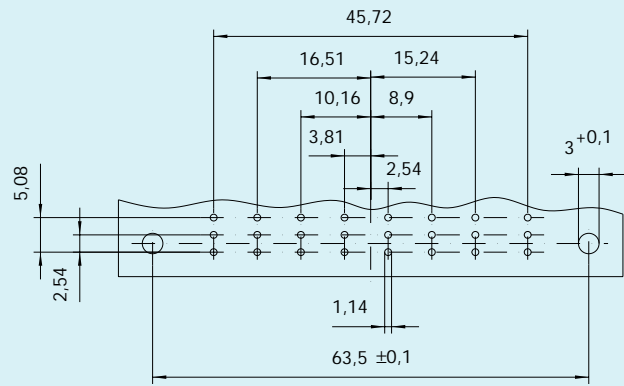


**B**  
**17C2/17X2**  
**15**  
**2**

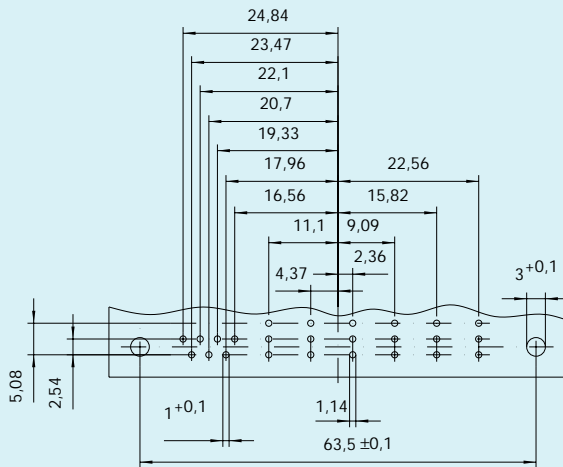


Shell size  
Contact arrangement  
Contact cavities size 20  
Contact cavities size 8

**B**  
**21C1/21X1**  
**20**  
**1**

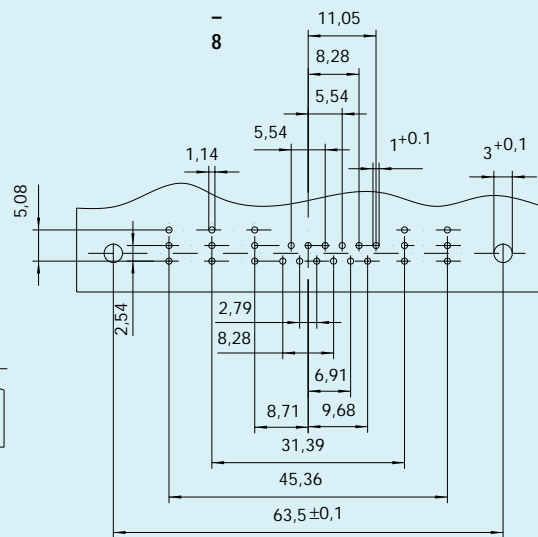


**C**  
**8C8/8X8**  
**-**  
**8**

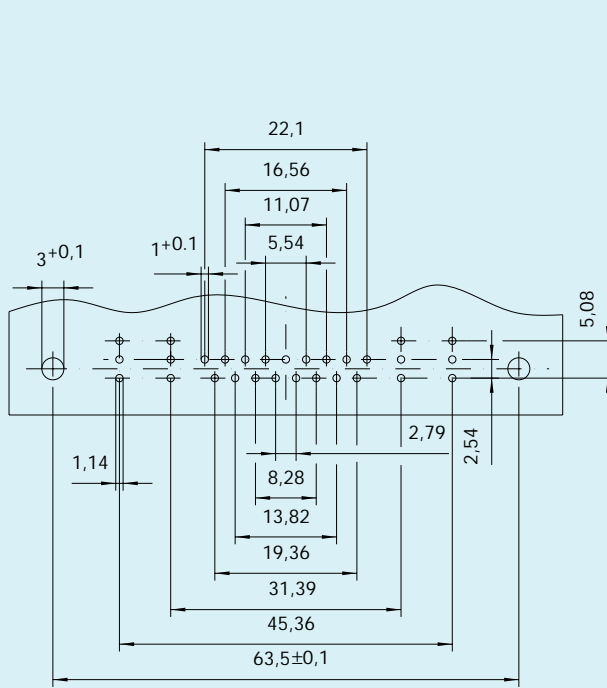


Shell size  
Contact arrangement  
Contact cavities size 20  
Contact cavities size 8

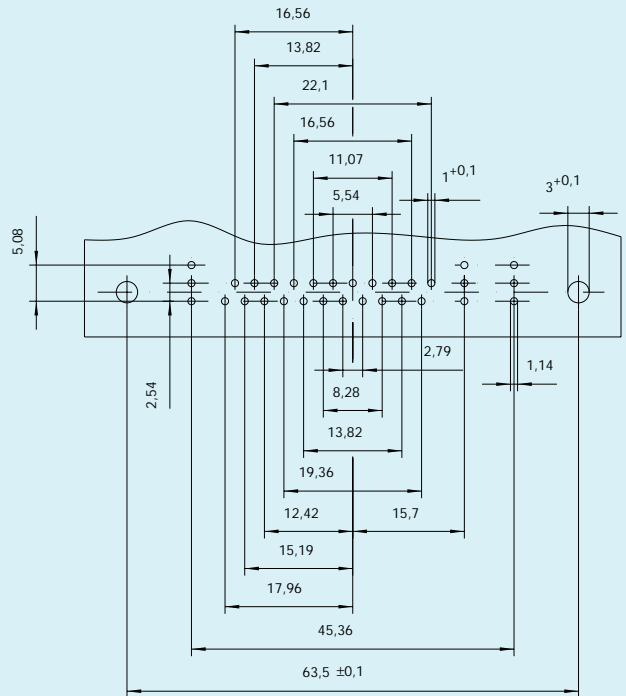
**C**  
**13C6/13X6**  
**7**  
**6**



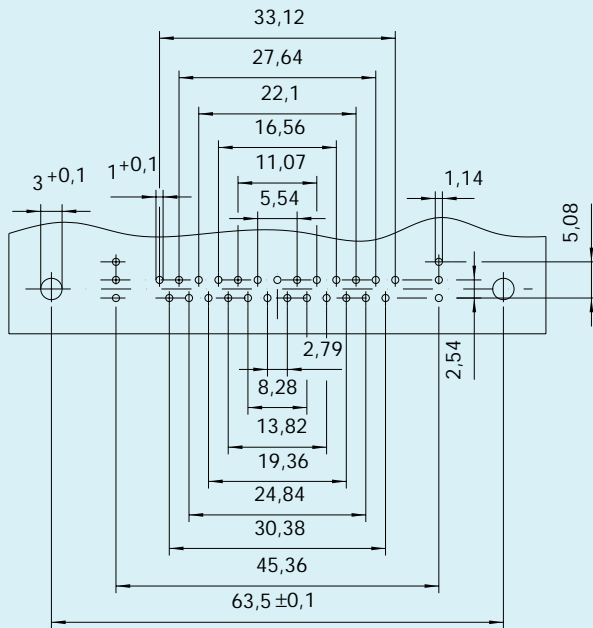
**C**  
**17C5/17X5**  
**12**  
**5**



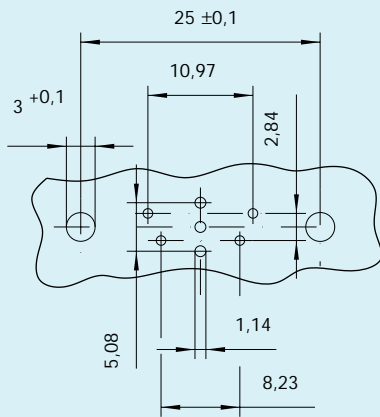
Shell size C  
 Contact arrangement 21CA4/21XA4  
 Contact cavities size 20 17  
 Contact cavities size 8 4



Shell size C  
 Contact arrangement 25C3/25X3  
 Contact cavities size 20 22  
 Contact cavities size 8 3

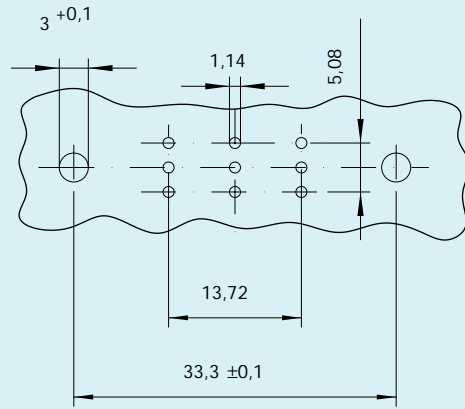


Shell size C  
 Contact arrangement 27C2/27X2  
 Contact cavities size 20 25  
 Contact cavities size 8 2

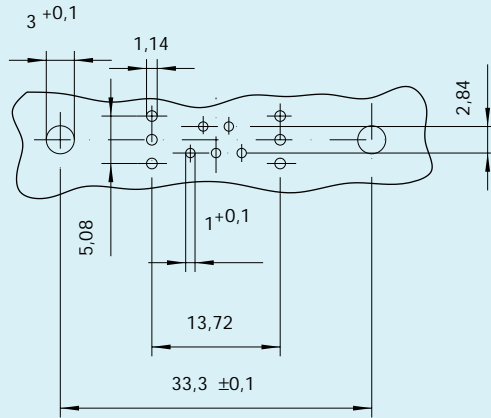


Shell size  
Contact arrangement  
Contact cavities size 20  
Contact cavities size 8

**E**  
**5C1/5X1**  
**4**  
**1**

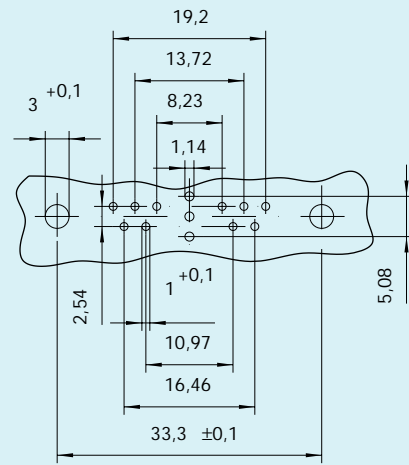


**A**  
**3C3/3X3**  
**-**  
**3**

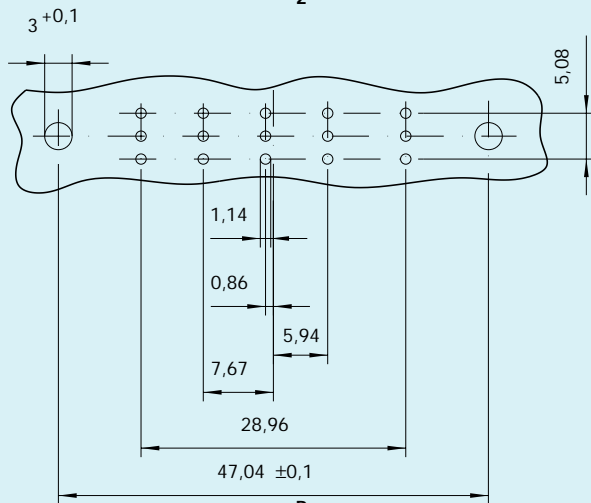


Shell size  
Contact arrangement  
Contact cavities size 20  
Contact cavities size 8

**A**  
**7C2/7X2**  
**5**  
**2**

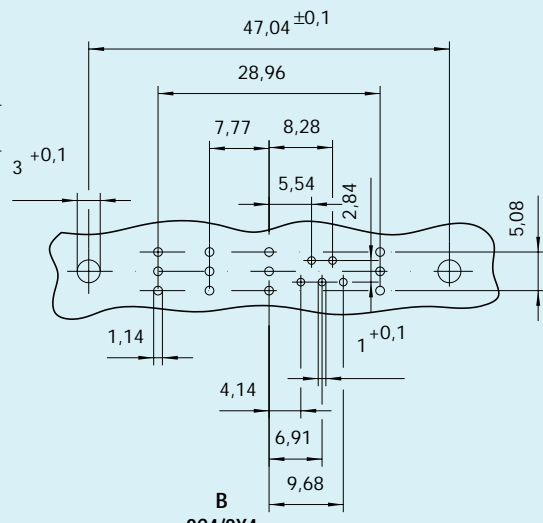


**A**  
**11C1/11X1**  
**10**  
**1**

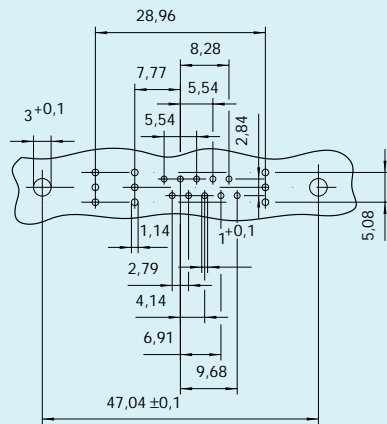


Shell size  
Contact arrangement  
Contact cavities size 20  
Contact cavities size 8

**B**  
**5C5/5X5**  
**-**  
**5**

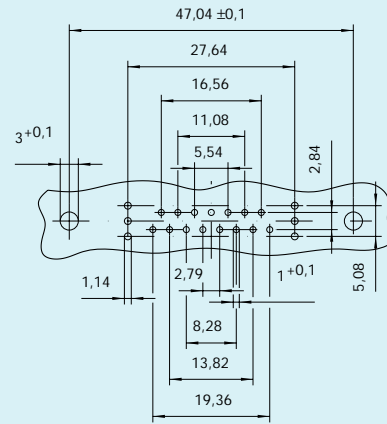


**B**  
**9C4/9X4**  
**5**  
**4**

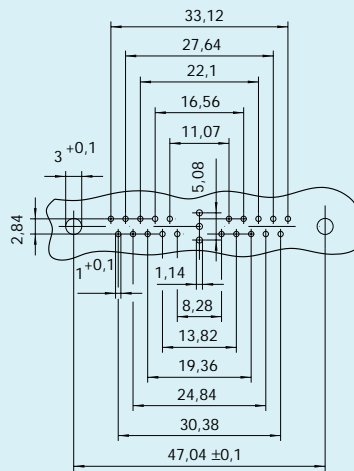


Shell size  
Contact arrangement  
Contact cavities size 20  
Contact cavities size 8

**B**  
**13C3/13X3**  
**10**  
**3**

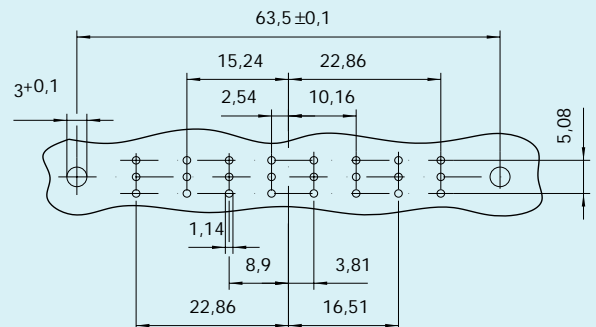


**B**  
**17C2/17X2**  
**15**  
**2**

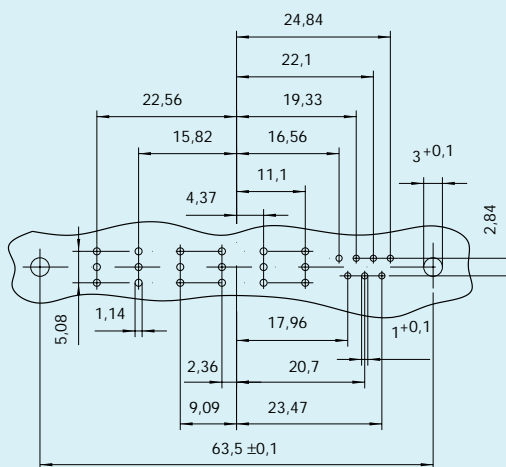


Shell size  
Contact arrangement  
Contact cavities size 20  
Contact cavities size 8

**B**  
**21C1/21X1**  
**20**  
**1**

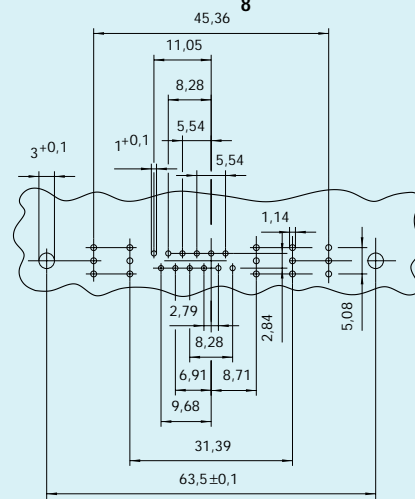


**C**  
**8C8/8X8**  
**-**  
**8**

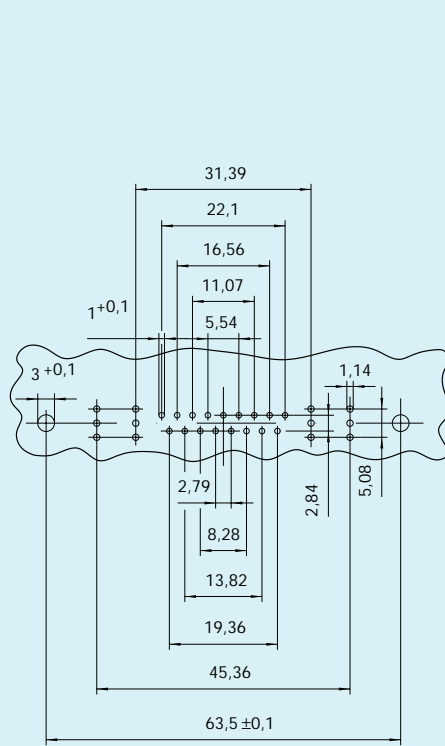


Shell size  
Contact arrangement  
Contact cavities size 20  
Contact cavities size 8

**C**  
**13C6/13X6**  
**7**  
**6**

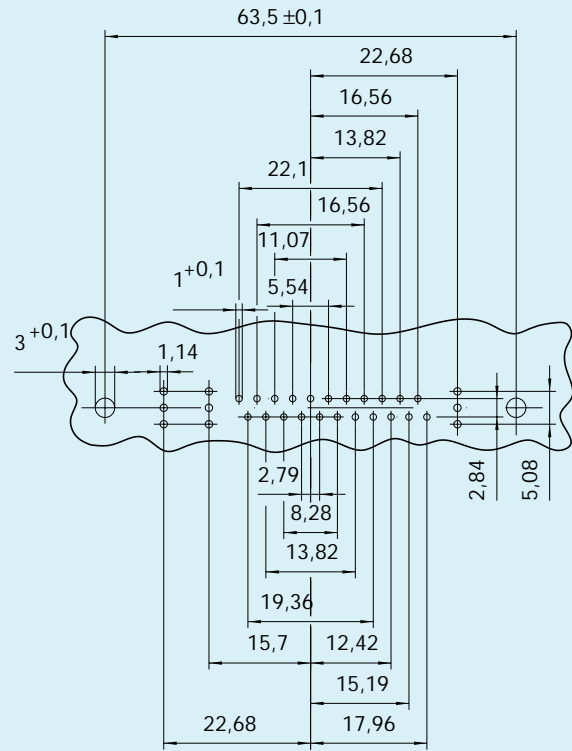


**C**  
**17C5/17X5**  
**12**  
**5**



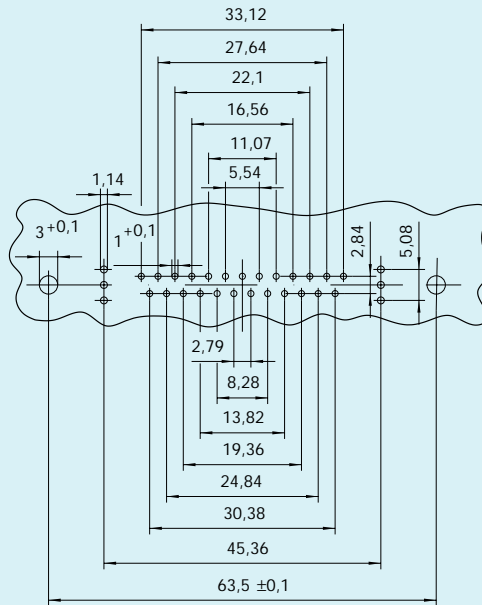
Shell size  
Contact arrangement  
Contact cavities size 20  
Contact cavities size 8

**C**  
**21CA4/21XA4**  
**17**  
**4**



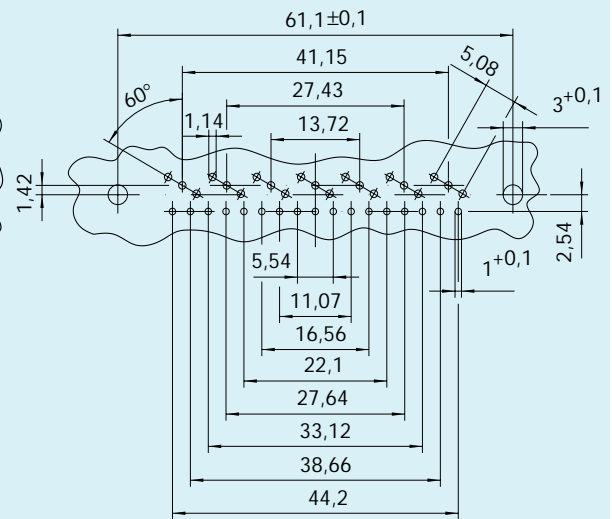
Shell size  
Contact arrangement  
Contact cavities size 20  
Contact cavities size 8

**C**  
**25C3/25X3**  
**22**  
**3**



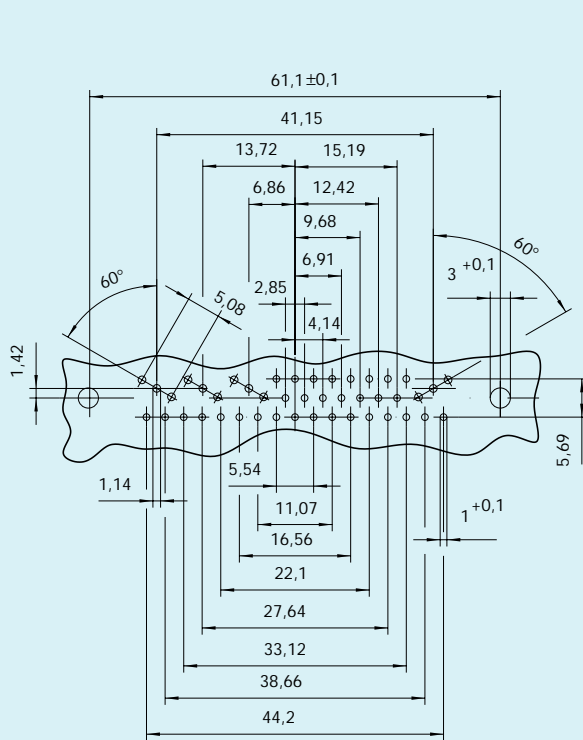
Shell size  
Contact arrangement  
Contact cavities size 20  
Contact cavities size 8

**C**  
**27C2/27X2**  
**25**  
**2**



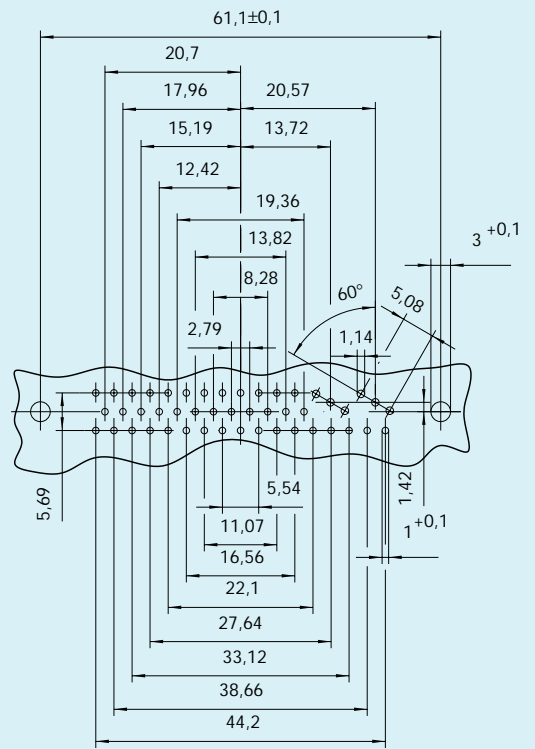
Shell size  
Contact arrangement  
Contact cavities size 20  
Contact cavities size 8

**D**  
**24C7/24X7**  
**17**  
**7**

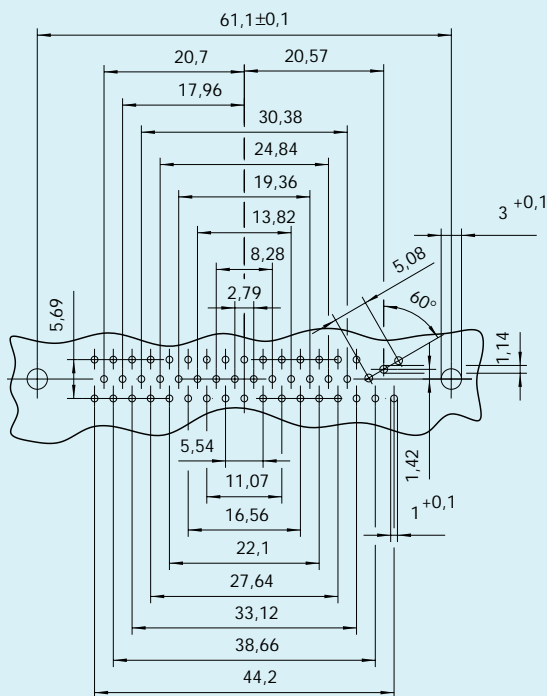


Shell size  
 Contact arrangement  
 Contact cavities size 20  
 Contact cavities size 8

**D**  
**36C4/36X4**  
**32**  
**4**



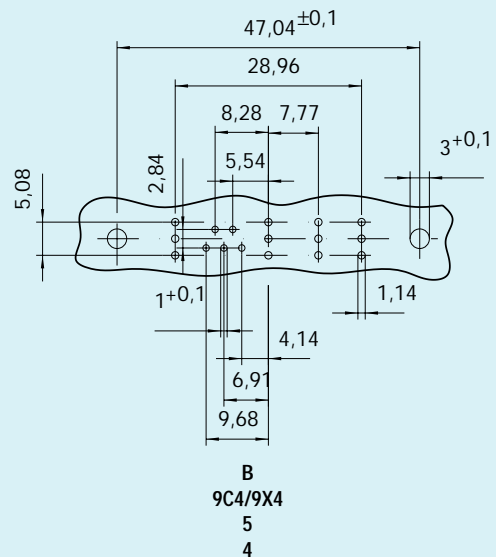
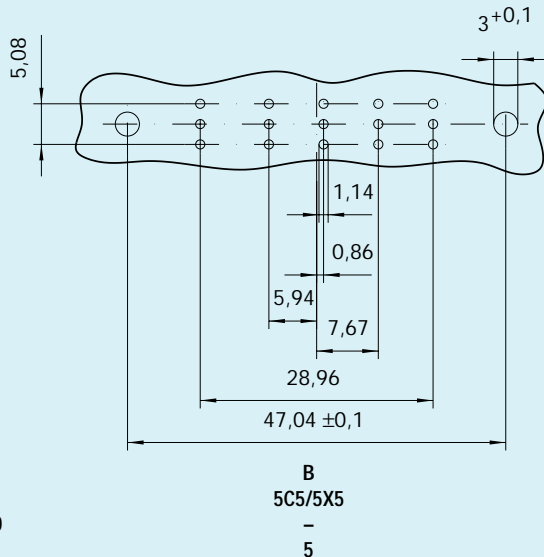
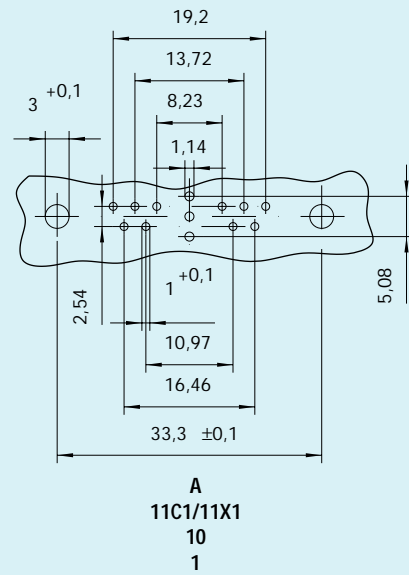
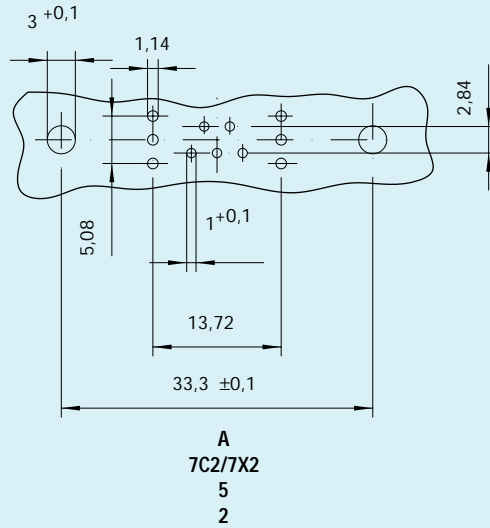
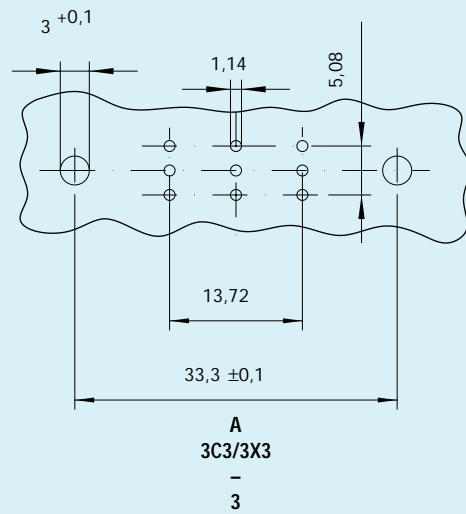
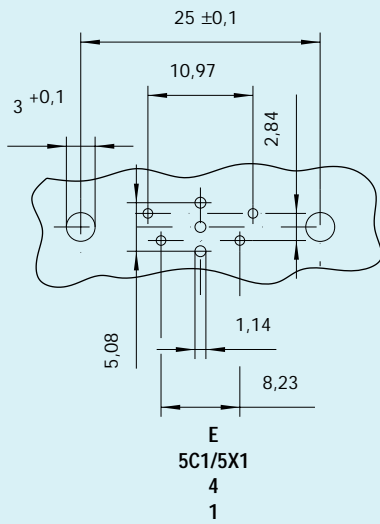
**D**  
**43C2/43X2**  
**41**  
**2**

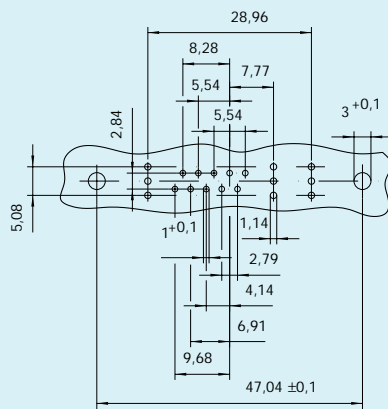


Shell size  
 Contact arrangement  
 Contact cavities size 20  
 Contact cavities size 8

**D**  
**47C1/47X1**  
**46**  
**1**

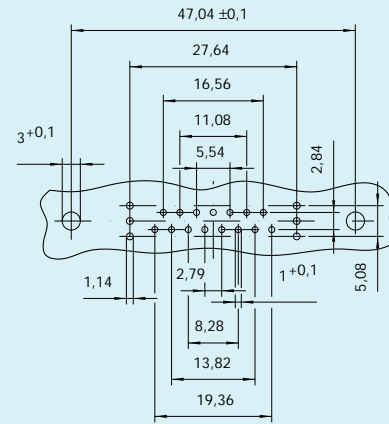




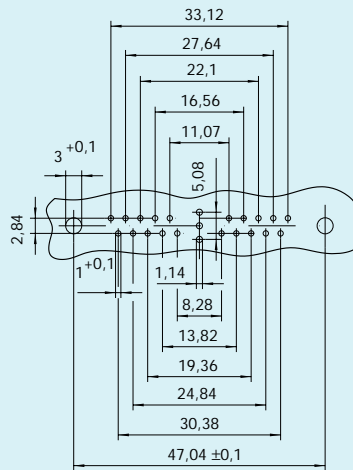


Shell size  
Contact arrangement  
Contact cavities size 20  
Contact cavities size 8

**B**  
**13C3/13X3**  
**10**  
**3**

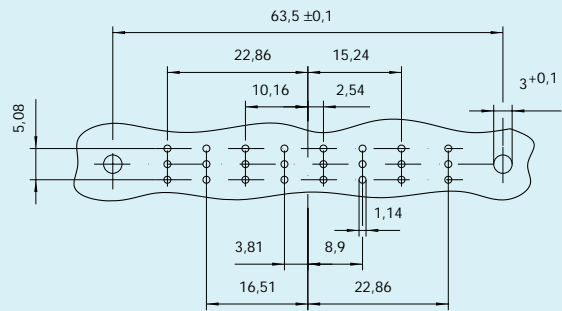


**B**  
**17C2/17X2**  
**15**  
**2**

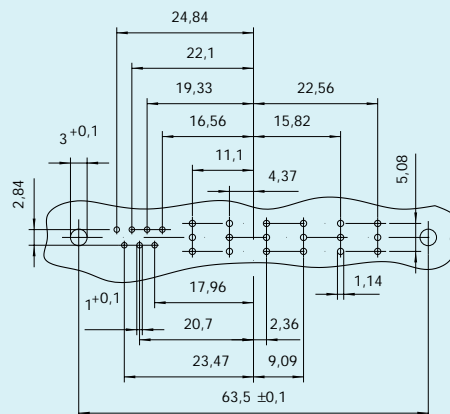


Shell size  
Contact arrangement  
Contact cavities size 20  
Contact cavities size 8

**B**  
**21C1/21X1**  
**20**  
**1**

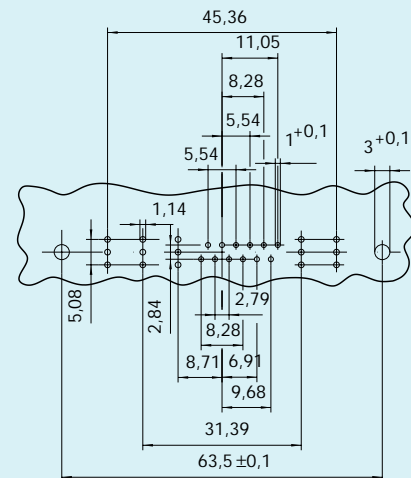


**C**  
**8C8/8X8**  
**-**  
**8**

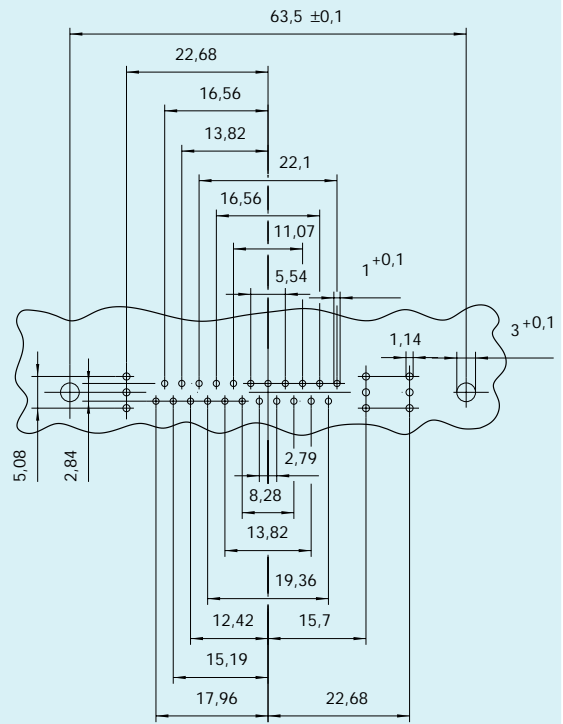
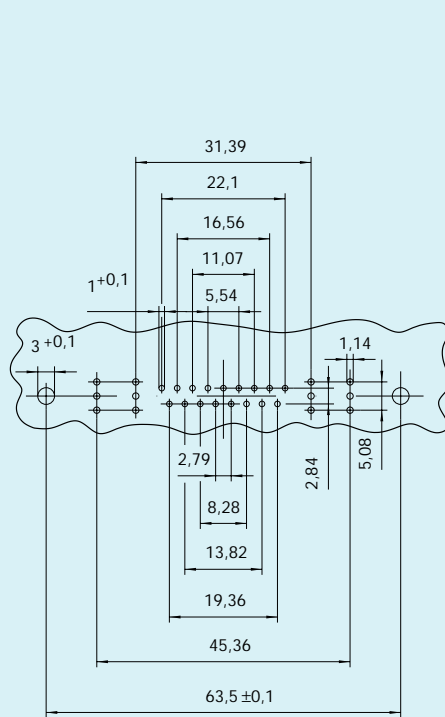


Shell size  
Contact arrangement  
Contact cavities size 20  
Contact cavities size 8

**C**  
**13C6/13X6**  
**7**  
**6**

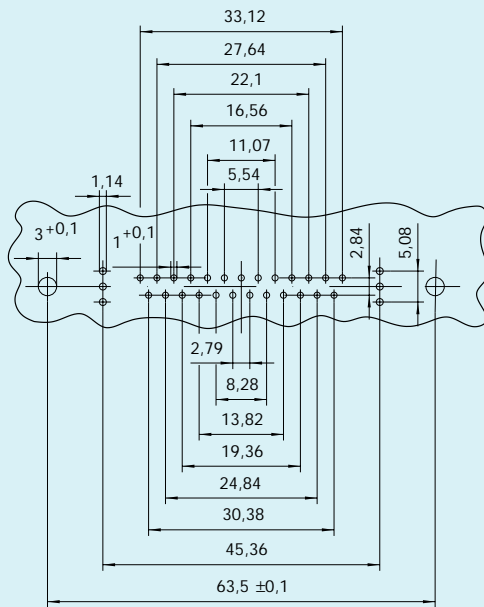


**C**  
**17C5/17X5**  
**12**  
**5**

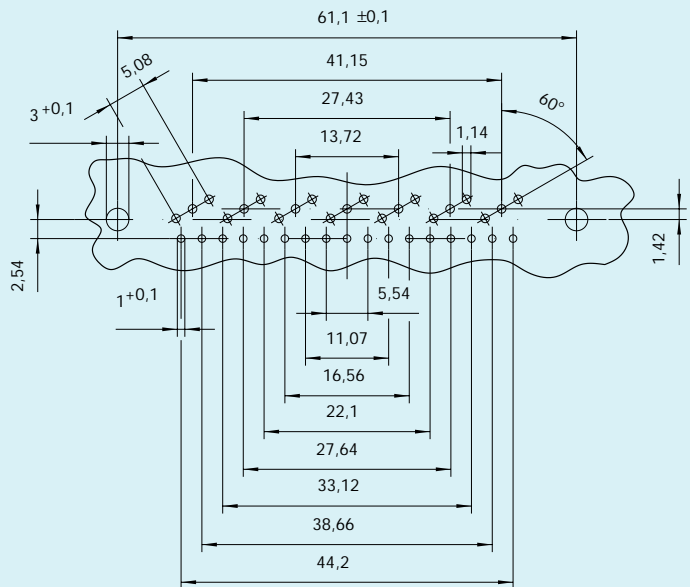


Shell size **C**  
 Contact arrangement **21CA4/21XA4**  
 Contact cavities size 20 **17**  
 Contact cavities size 8 **4**

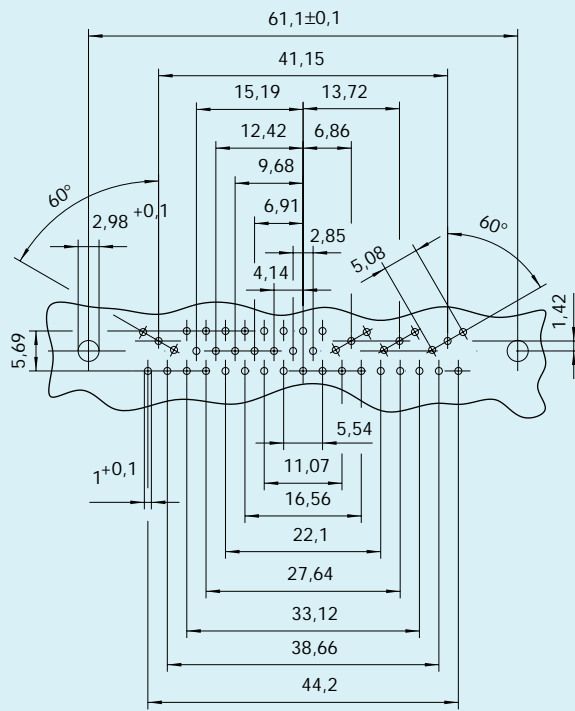
Shell size **C**  
 Contact arrangement **25C3/25X3**  
 Contact cavities size 20 **22**  
 Contact cavities size 8 **3**



Shell size **C**  
 Contact arrangement **27C2/27X2**  
 Contact cavities size 20 **25**  
 Contact cavities size 8 **2**

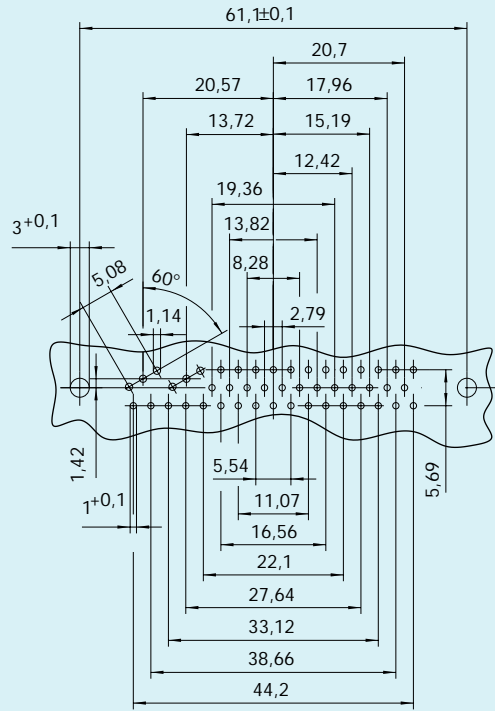


Shell size **D**  
 Contact arrangement **24C7/24X7**  
 Contact cavities size 20 **17**  
 Contact cavities size 8 **7**

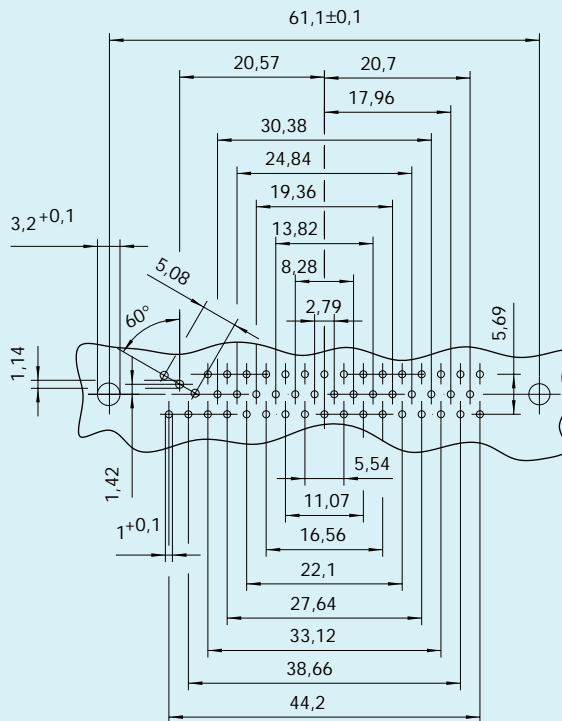


Shell size  
 Contact arrangement  
 Contact cavities size 20  
 Contact cavities size 8

D  
 36C4/36X4  
 32  
 4

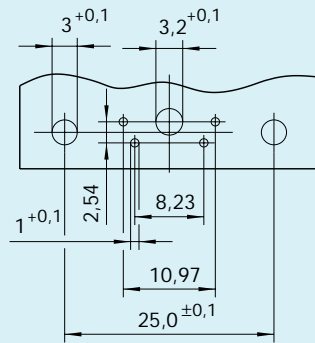


D  
 43C2/43X2  
 41  
 2



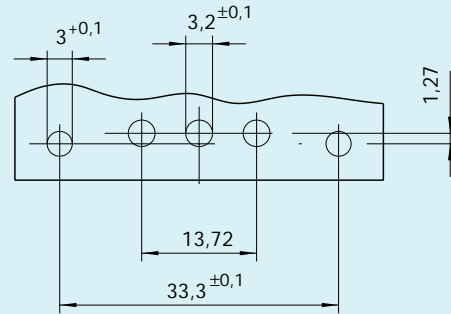
Shell size  
 Contact arrangement  
 Contact cavities size 20  
 Contact cavities size 8

D  
 47C1/47X1  
 46  
 1

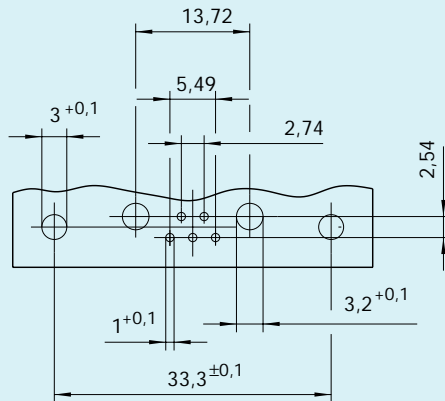


Shell size  
Contact arrangement  
Contact cavities size 20  
Contact cavities size 8

**E**  
**5P1**  
**4**  
**1**

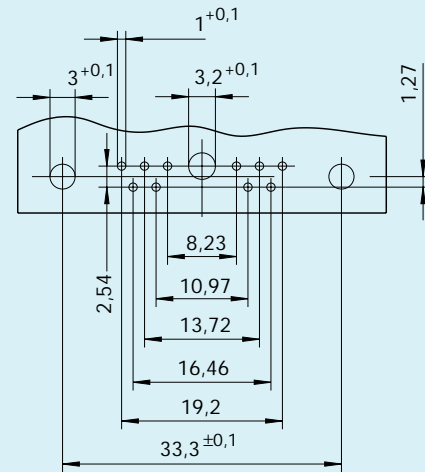


**A**  
**3P3**  
**-**  
**3**

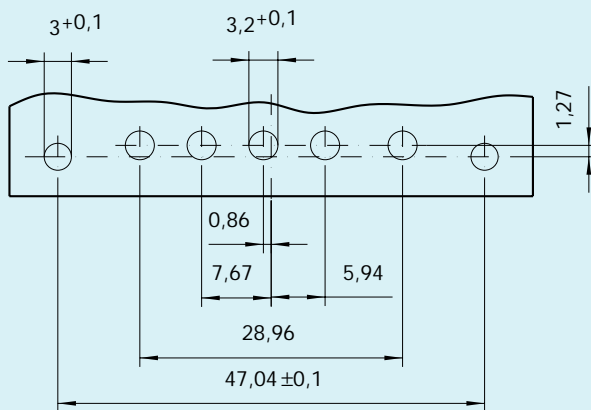


Shell size  
Contact arrangement  
Contact cavities size 20  
Contact cavities size 8

**A**  
**7P2**  
**5**  
**2**

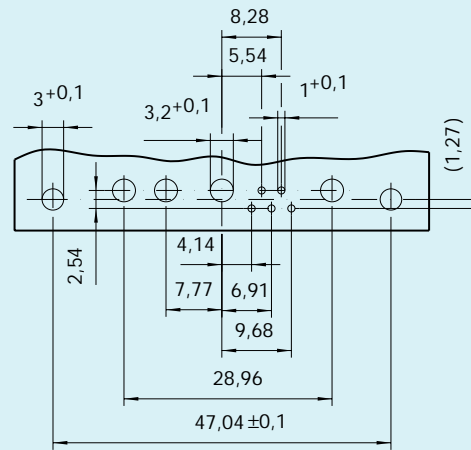


**A**  
**11P1**  
**10**  
**1**

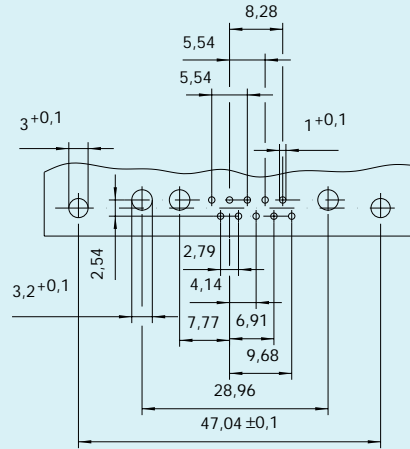


Shell size  
Contact arrangement  
Contact cavities size 20  
Contact cavities size 8

**B**  
**5P5**  
**-**  
**5**

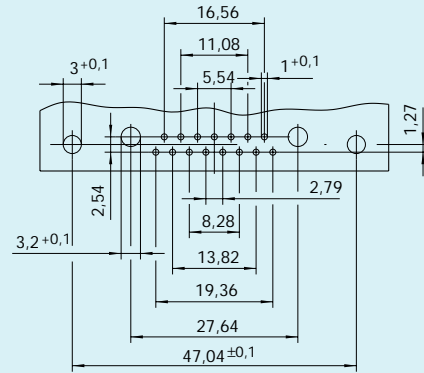


**B**  
**9P4**  
**5**  
**4**

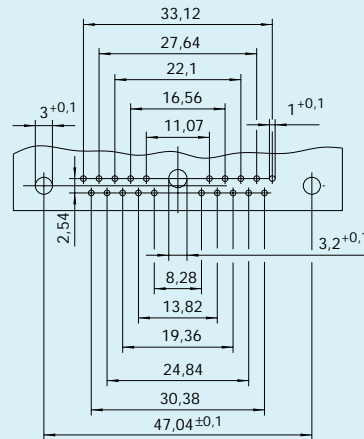


Shell size  
Contact arrangement  
Contact cavities size 20  
Contact cavities size 8

**B**  
**13P3**  
**10**  
**3**

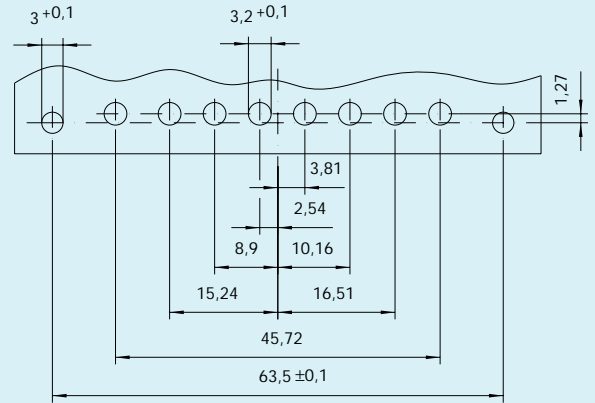


**B**  
**17P2**  
**15**  
**2**

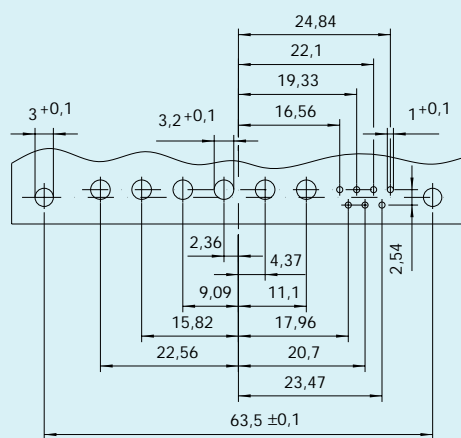


Shell size  
Contact arrangement  
Contact cavities size 20  
Contact cavities size 8

**B**  
**21P1**  
**20**  
**1**

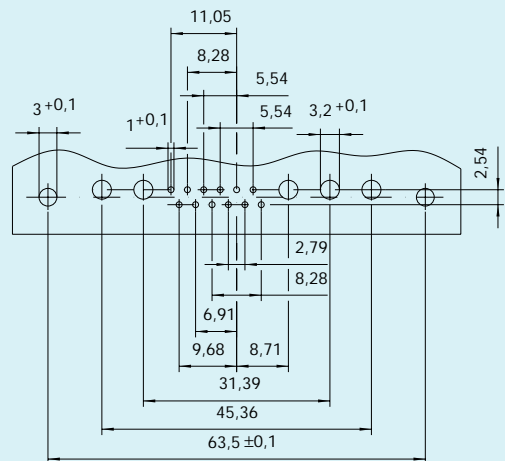


**C**  
**8P8**  
**-**  
**8**

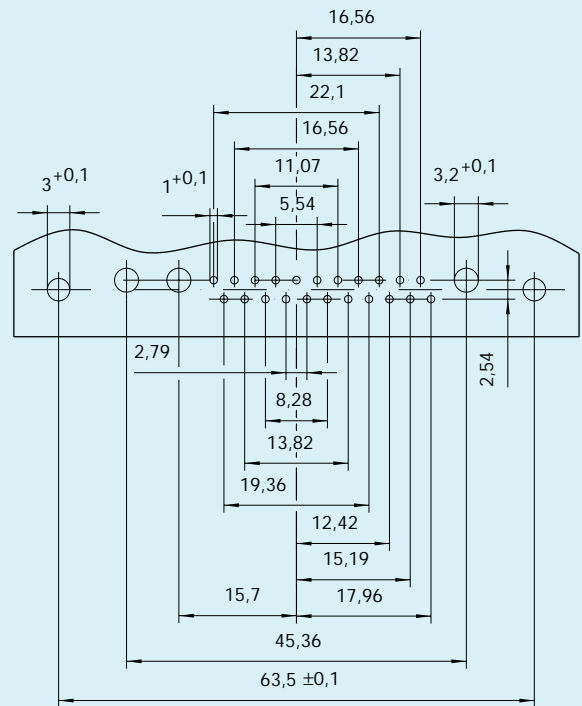
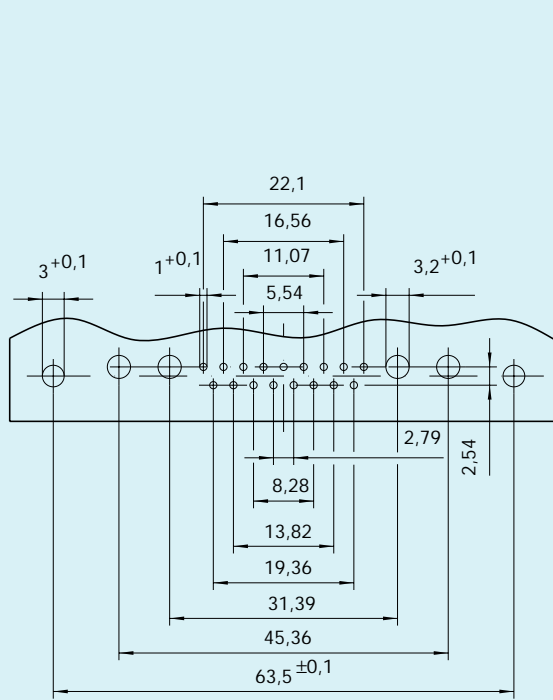


Shell size  
Contact arrangement  
Contact cavities size 20  
Contact cavities size 8

**C**  
**13P6**  
**7**  
**6**

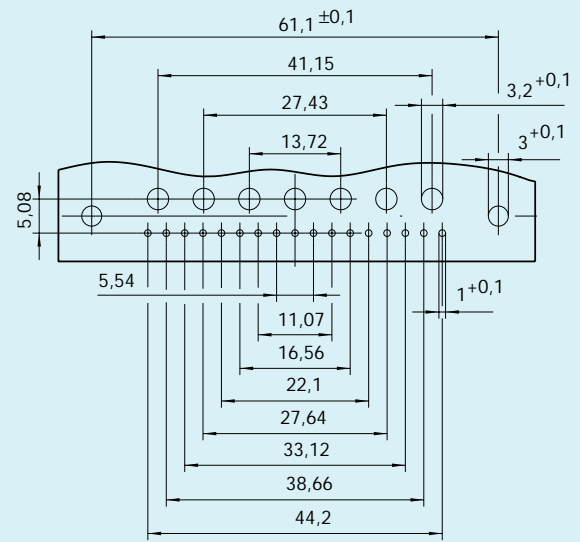
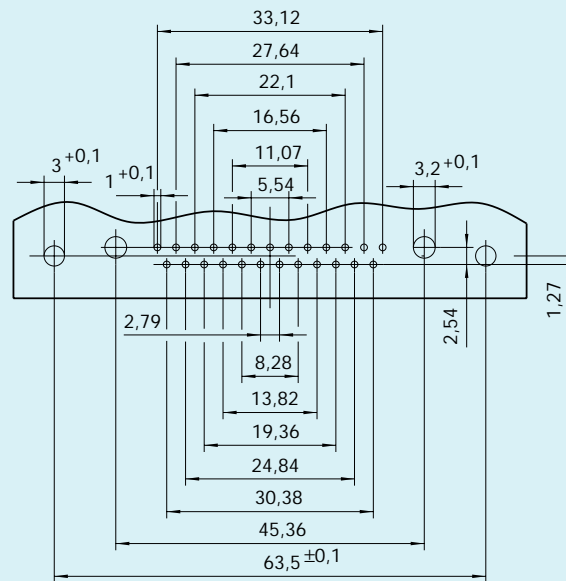


**C**  
**17P5**  
**12**  
**5**



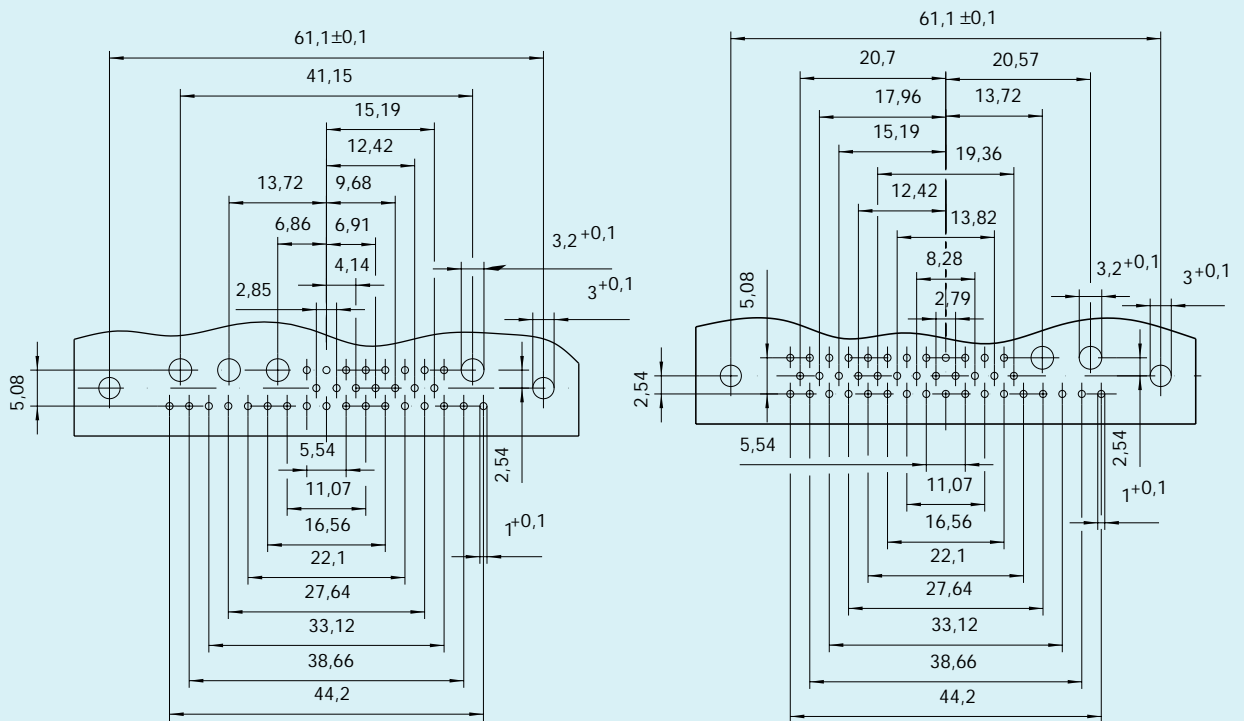
Shell size **C**  
 Contact arrangement **21PA4**  
 Contact cavities size 20 **17**  
 Contact cavities size 8 **4**

Shell size **C**  
 Contact arrangement **25P3**  
 Contact cavities size 20 **22**  
 Contact cavities size 8 **3**



Shell size **C**  
 Contact arrangement **27P2**  
 Contact cavities size 20 **25**  
 Contact cavities size 8 **2**

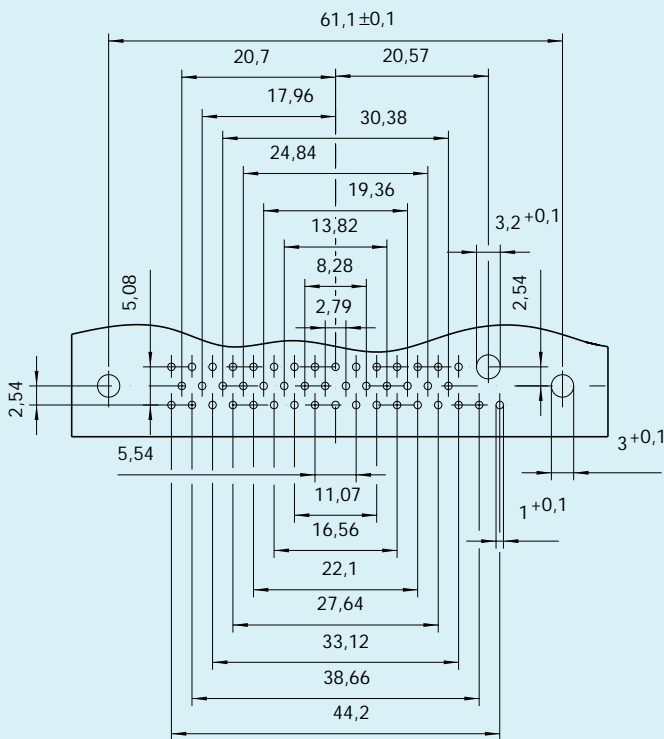
Shell size **D**  
 Contact arrangement **24P7**  
 Contact cavities size 20 **17**  
 Contact cavities size 8 **7**



Shell size  
 Contact arrangement  
 Contact cavities size 20  
 Contact cavities size 8

**D**  
**36P4**  
**32**  
**4**

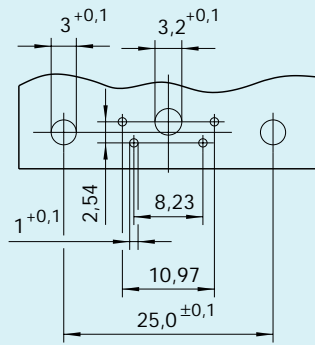
**D**  
**43P2**  
**41**  
**2**



Shell size  
 Contact arrangement  
 Contact cavities size 20  
 Contact cavities size 8

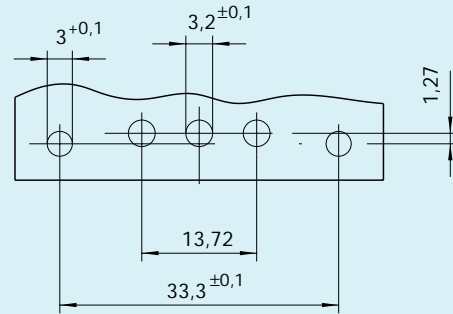
**D**  
**47P1**  
**46**  
**1**



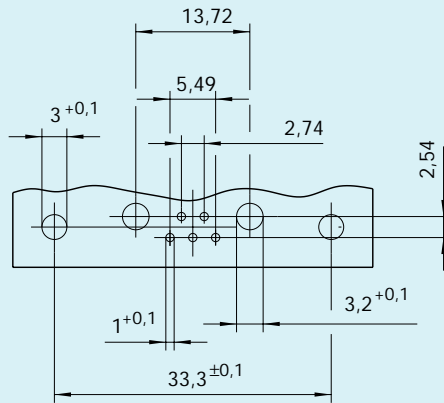


Shell size  
Contact arrangement  
Contact cavities size 20  
Contact cavities size 8

**E**  
**5P1**  
**4**  
**1**

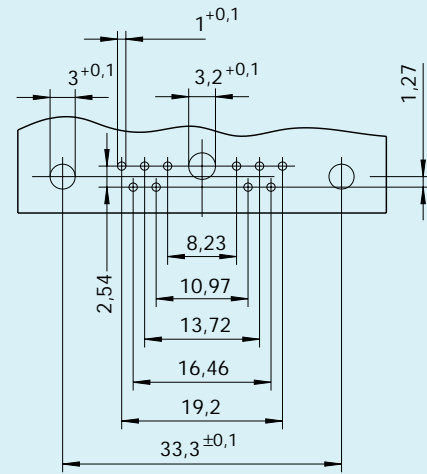


**A**  
**3P3**  
**-**  
**3**

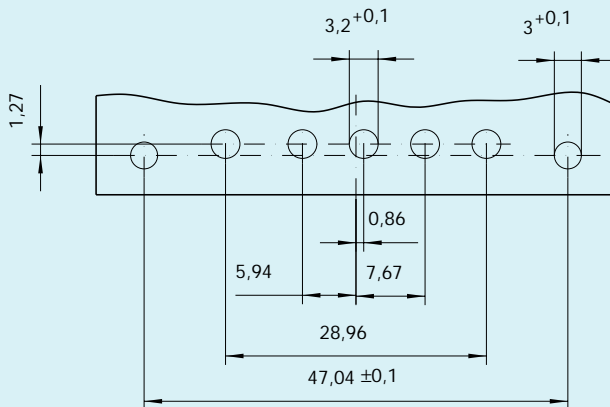


Shell size  
Contact arrangement  
Contact cavities size 20  
Contact cavities size 8

**A**  
**7P2**  
**5**  
**2**

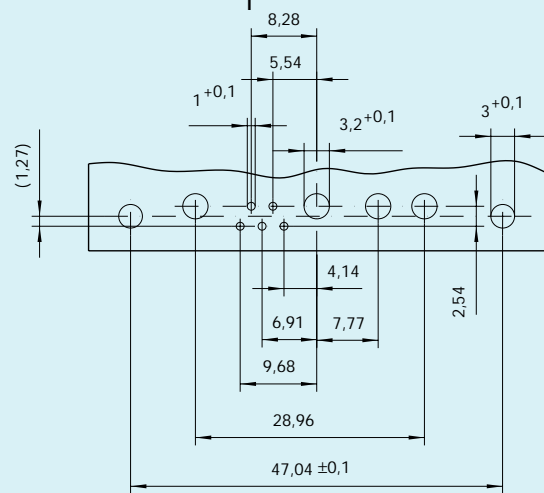


**A**  
**11P1**  
**10**  
**1**

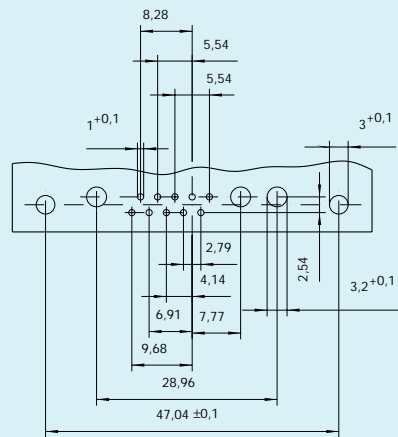


Shell size  
Contact arrangement  
Contact cavities size 20  
Contact cavities size 8

**B**  
**5P5**  
**-**  
**5**



**B**  
**9P4**  
**5**  
**4**



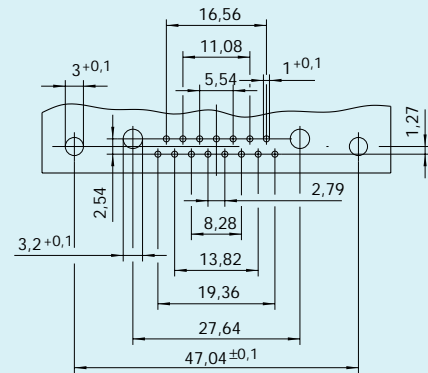
Shell size  
Contact arrangement  
Contact cavities size 20  
Contact cavities size 8

**B**

**13P3**

**10**

**3**

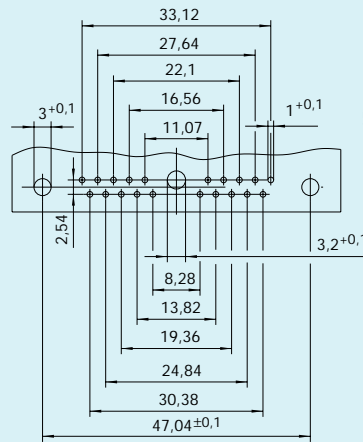


**B**

**17P2**

**15**

**2**



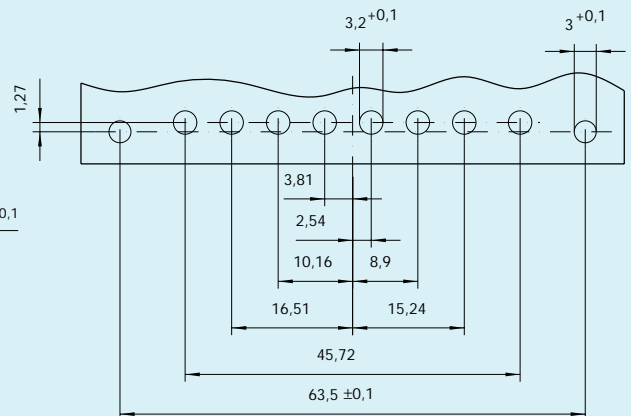
Shell size  
Contact arrangement  
Contact cavities size 20  
Contact cavities size 8

**B**

**21P1**

**20**

**1**

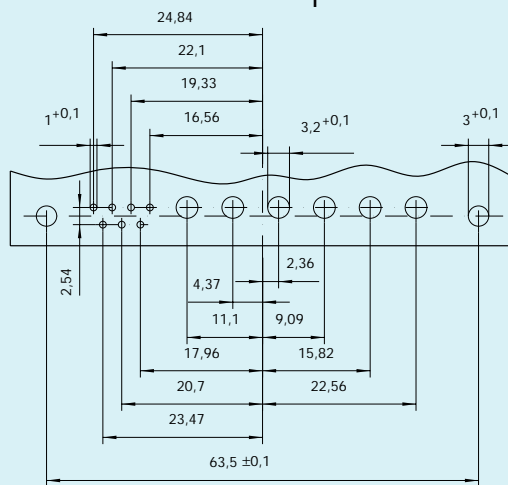


**C**

**8P8**

**-**

**8**



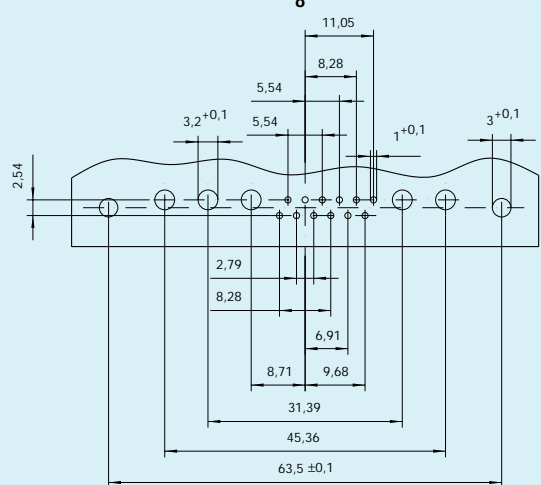
Shell size  
Contact arrangement  
Contact cavities size 20  
Contact cavities size 8

**C**

**13P6**

**7**

**6**

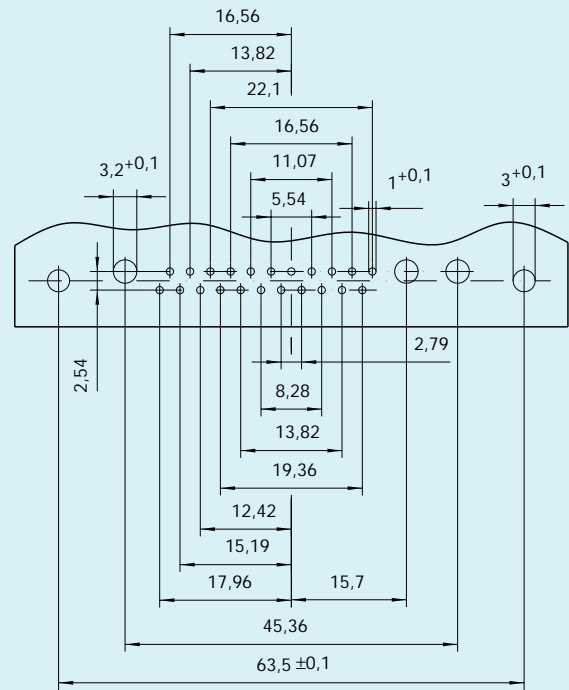
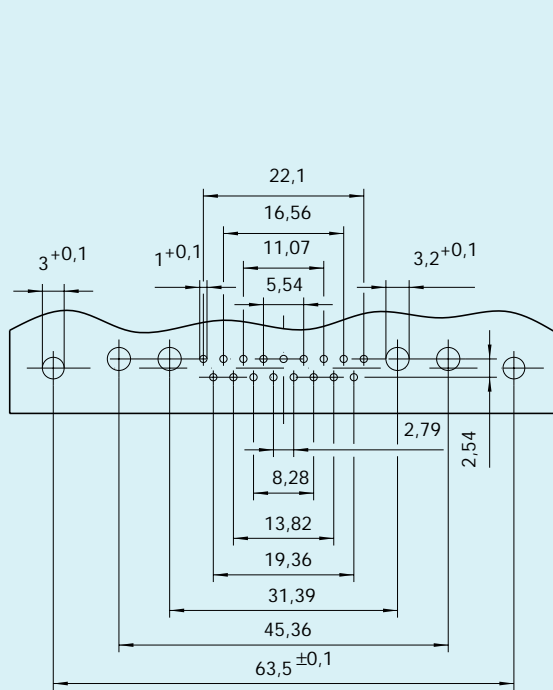


**C**

**17P5**

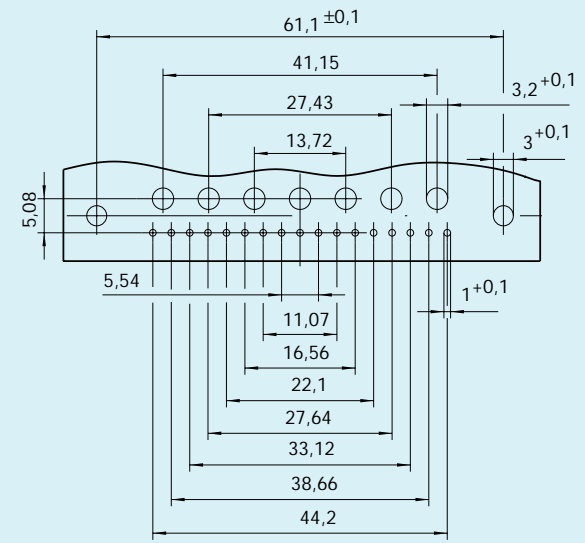
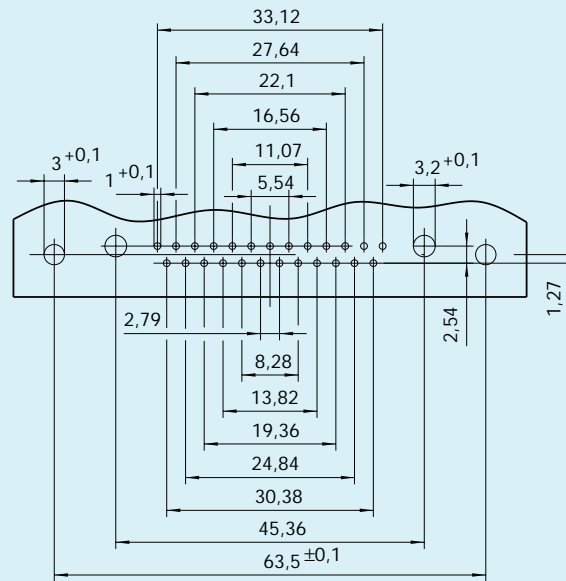
**12**

**5**



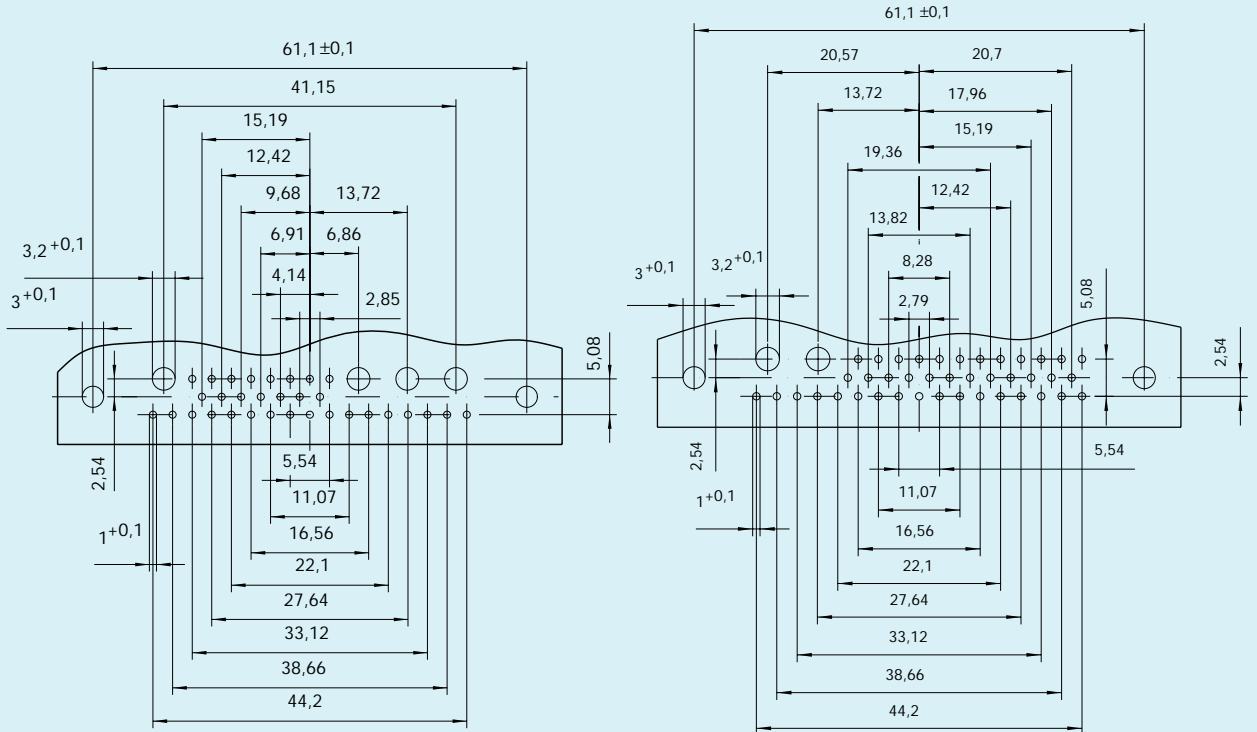
Shell size **C**  
 Contact arrangement **21PA4**  
 Contact cavities size 20 **17**  
 Contact cavities size 8 **4**

Shell size **C**  
 Contact arrangement **25P3**  
 Contact cavities size 20 **22**  
 Contact cavities size 8 **3**



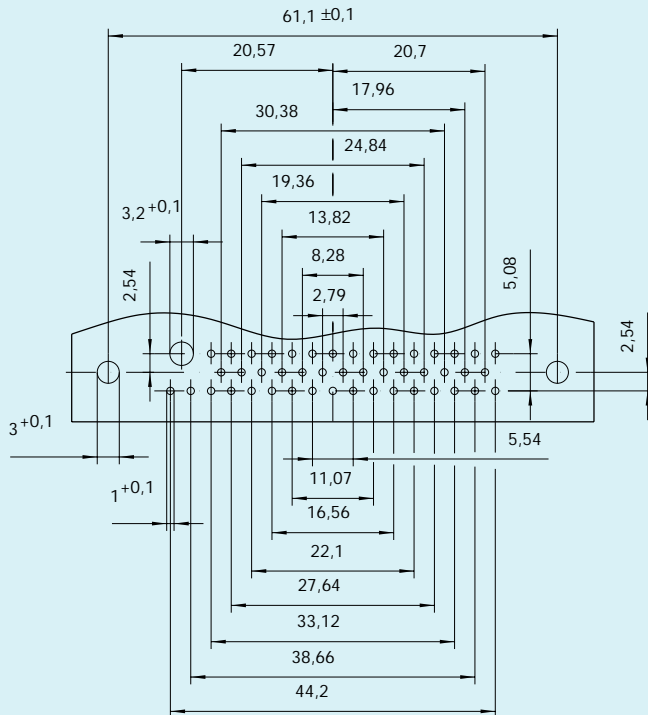
Shell size **C**  
 Contact arrangement **27P2**  
 Contact cavities size 20 **25**  
 Contact cavities size 8 **2**

Shell size **D**  
 Contact arrangement **24P7**  
 Contact cavities size 20 **17**  
 Contact cavities size 8 **7**

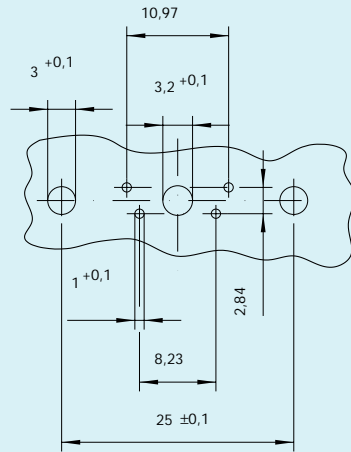


Shell size **D**  
 Contact arrangement **36P4**  
 Contact cavities size 20 **32**  
 Contact cavities size 8 **4**

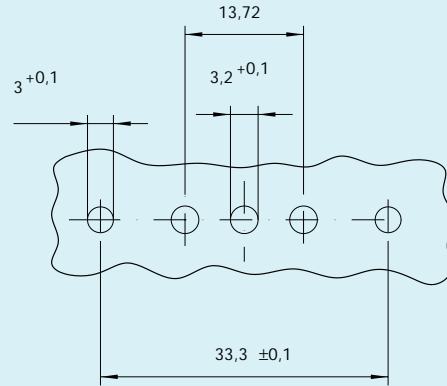
Shell size **D**  
 Contact arrangement **43P2**  
 Contact cavities size 20 **41**  
 Contact cavities size 8 **2**



Shell size **D**  
 Contact arrangement **47P1**  
 Contact cavities size 20 **46**  
 Contact cavities size 8 **1**

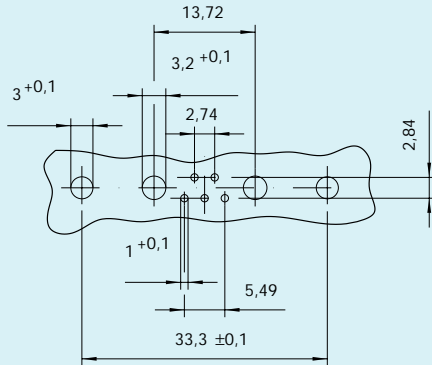


**E**  
5H1  
4  
1

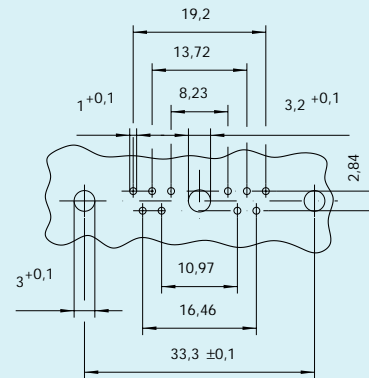


**A**  
3H3  
-  
3

Shell size  
Contact arrangement  
Contact cavities size 20  
Contact cavities size 8

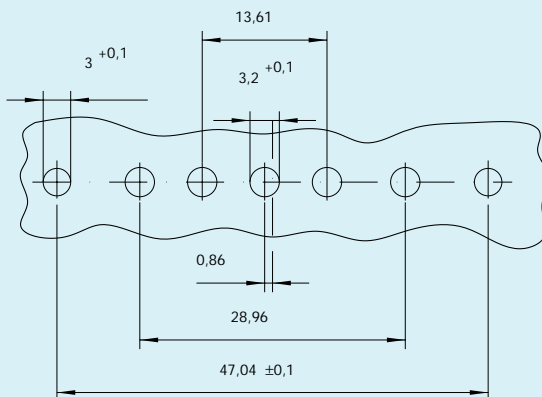


**A**  
7H2  
5  
2

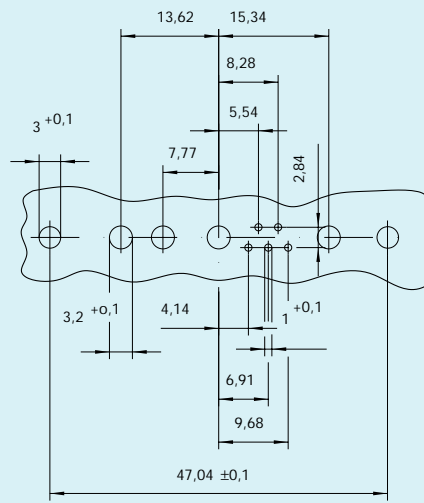


**A**  
11H1  
10  
1

Shell size  
Contact arrangement  
Contact cavities size 20  
Contact cavities size 8

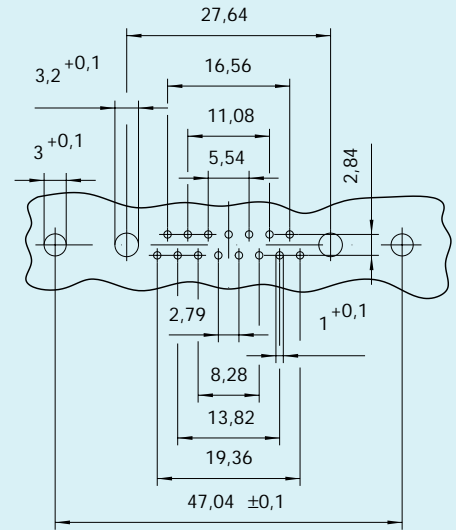
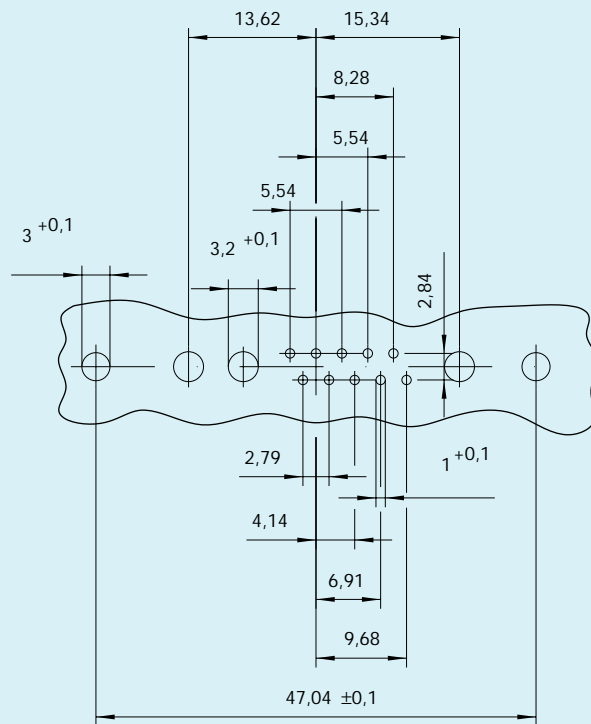


**B**  
5H5  
-  
5



**B**  
9H4  
5  
4

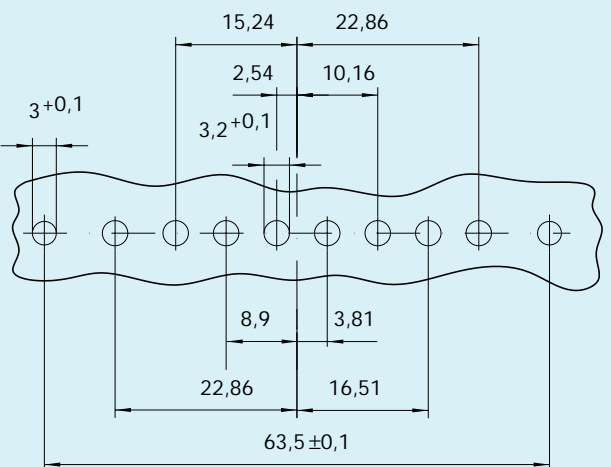
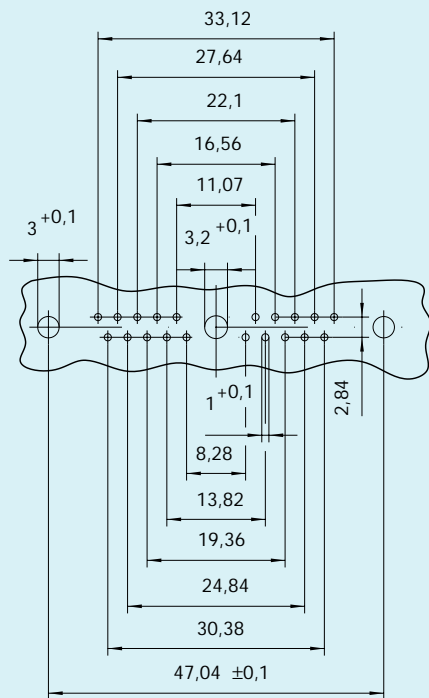
Shell size  
Contact arrangement  
Contact cavities size 20  
Contact cavities size 8



Shell size  
Contact arrangement  
Contact cavities size 20  
Contact cavities size 8

**B**  
**13H3**  
**10**  
**3**

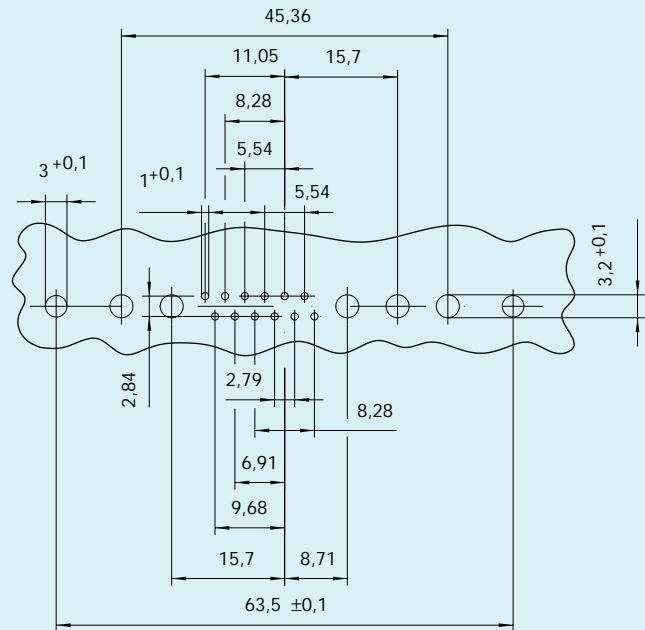
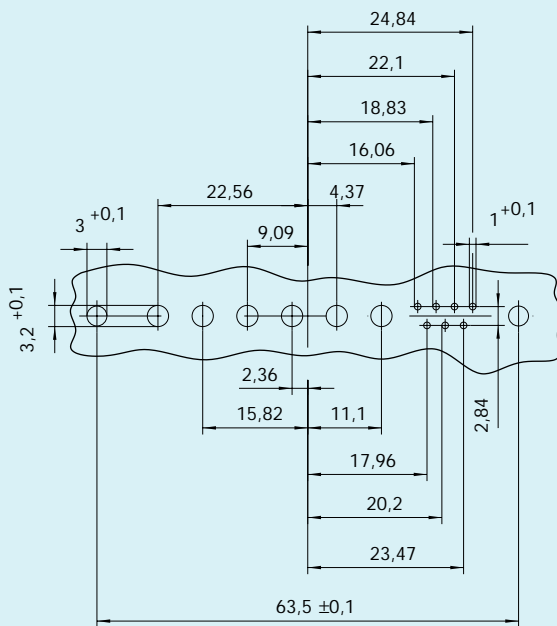
**B**  
**17H2**  
**15**  
**2**



Shell size  
Contact arrangement  
Contact cavities size 20  
Contact cavities size 8

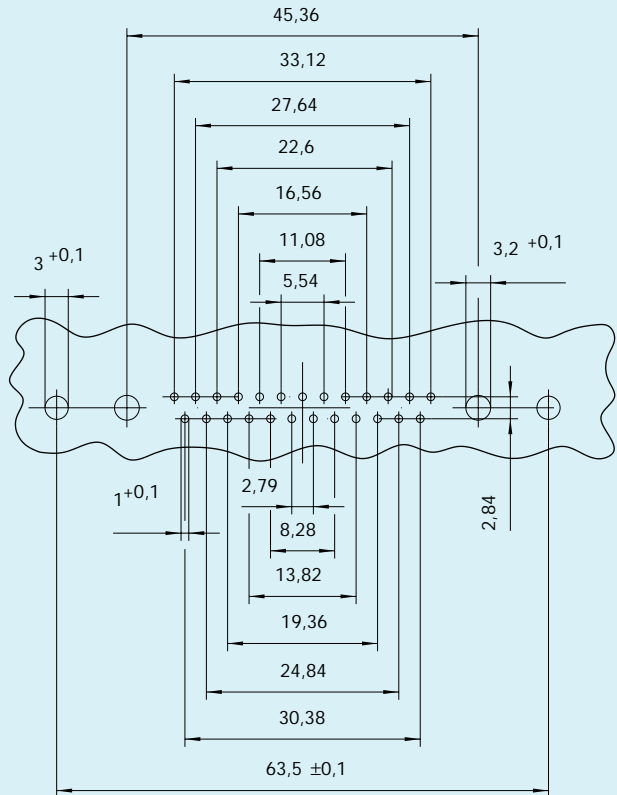
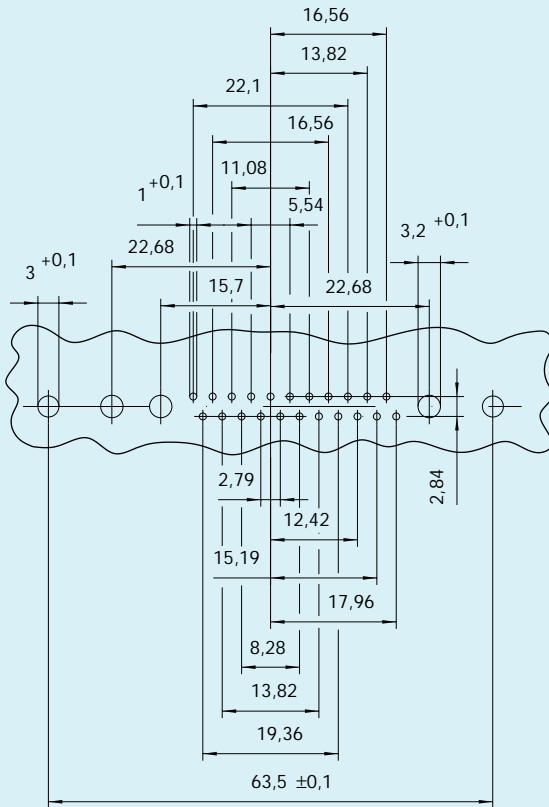
**B**  
**21H1**  
**20**  
**1**

**C**  
**8H8**  
**-**  
**8**



Shell size	C
Contact arrangement	13H6
Contact cavities size 20	7
Contact cavities size 8	6

Shell size	C
Contact arrangement	17H5
Contact cavities size 20	12
Contact cavities size 8	5

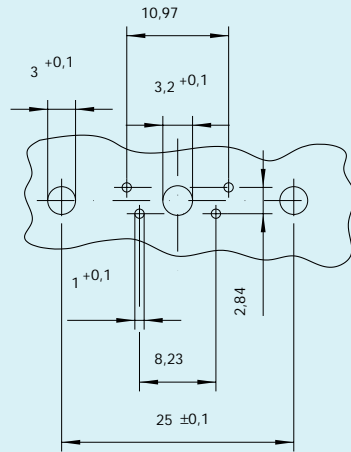


Shell size	C
Contact arrangement	25H3
Contact cavities size 20	22
Contact cavities size 8	3

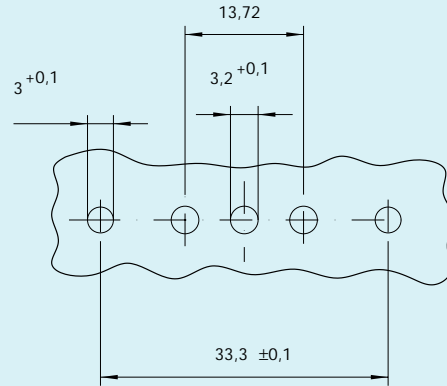
Shell size	C
Contact arrangement	27H2
Contact cavities size 20	25
Contact cavities size 8	2





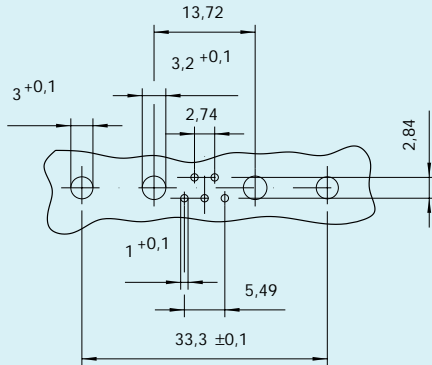


**E**  
5H1  
4  
1



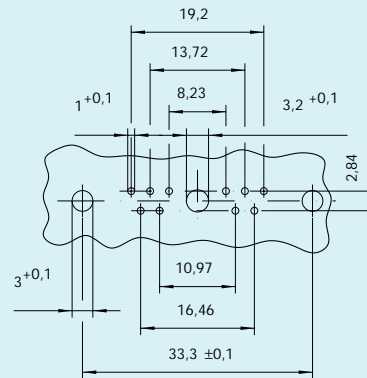
**A**  
3H3  
-  
3

Shell size  
Contact arrangement  
Contact cavities size 20  
Contact cavities size 8

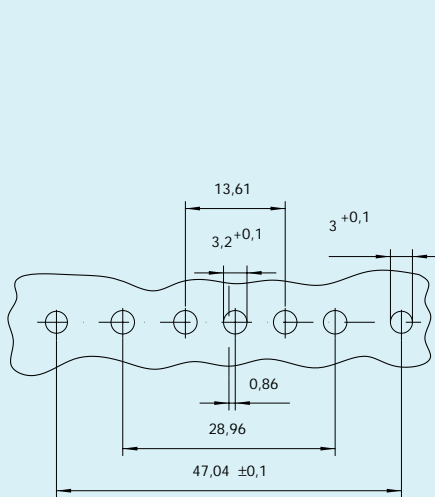


**A**  
7H2  
5  
2

Shell size  
Contact arrangement  
Contact cavities size 20  
Contact cavities size 8

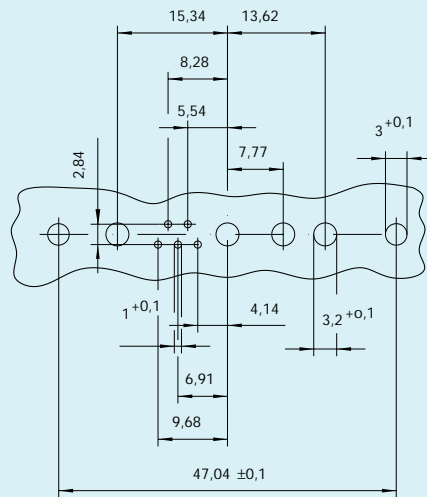


**A**  
11H1  
10  
1

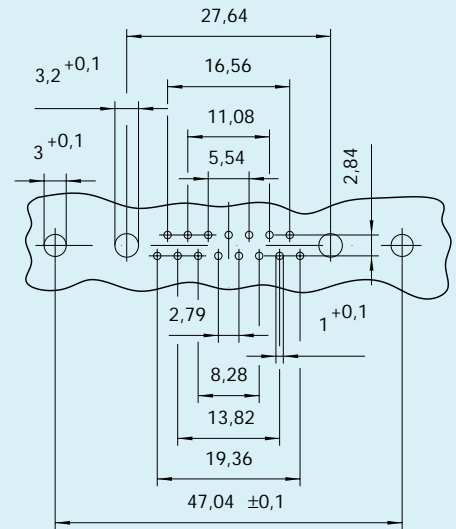
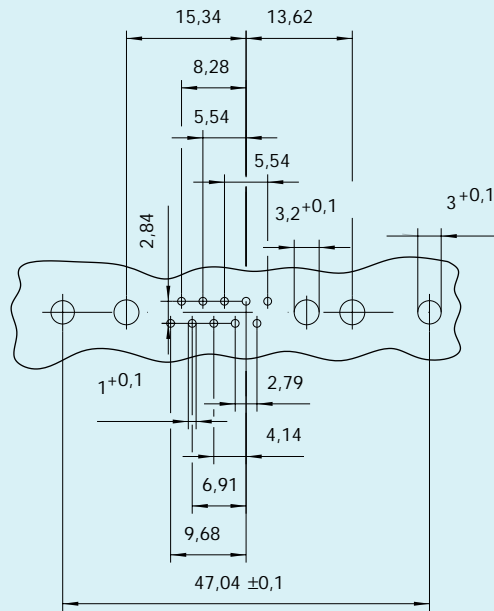


**B**  
5H5  
-  
5

Shell size  
Contact arrangement  
Contact cavities size 20  
Contact cavities size 8



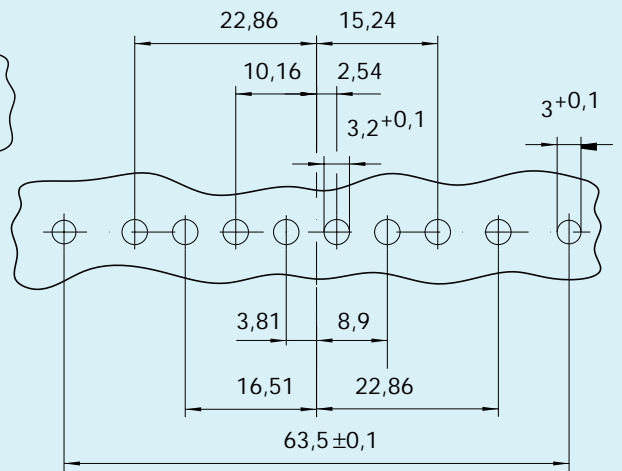
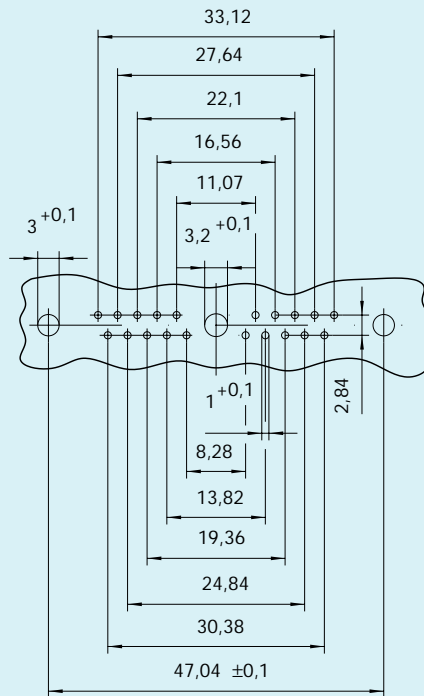
**B**  
9H4  
5  
4



Shell size  
Contact arrangement  
Contact cavities size 20  
Contact cavities size 8

**B**  
**13H3**  
**10**  
**3**

**B**  
**17H2**  
**15**  
**2**



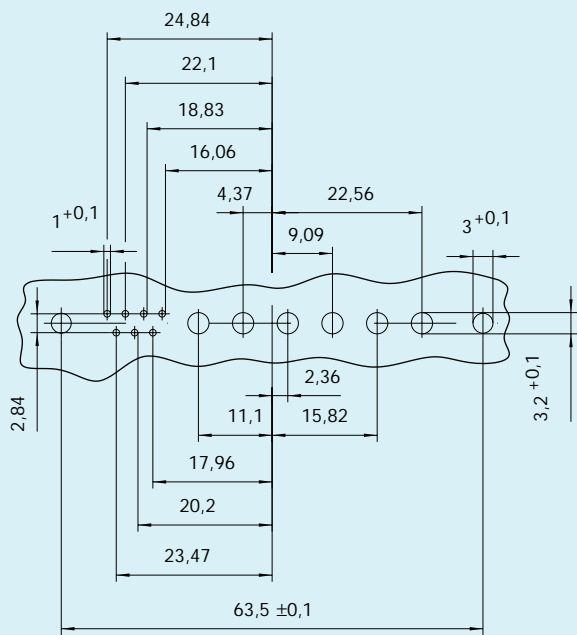
Shell size  
Contact arrangement  
Contact cavities size 20  
Contact cavities size 8

**B**  
**21H1**  
**20**  
**1**

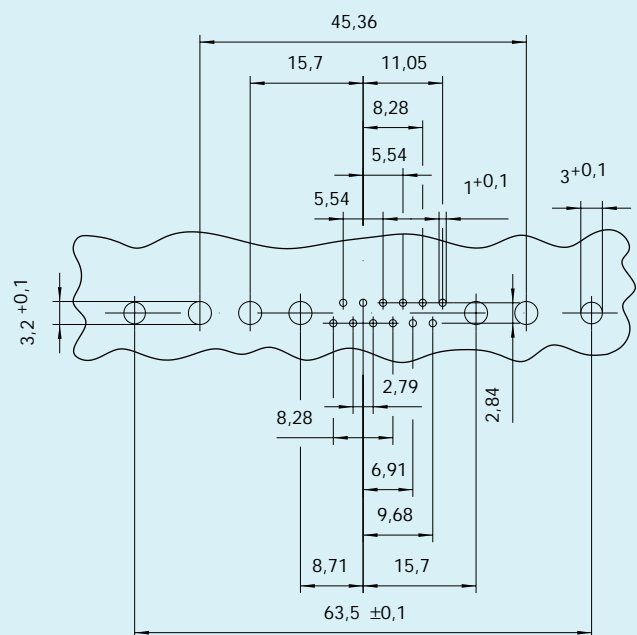
**C**  
**8H8**  
**-**  
**8**

PCB Hole Pattern

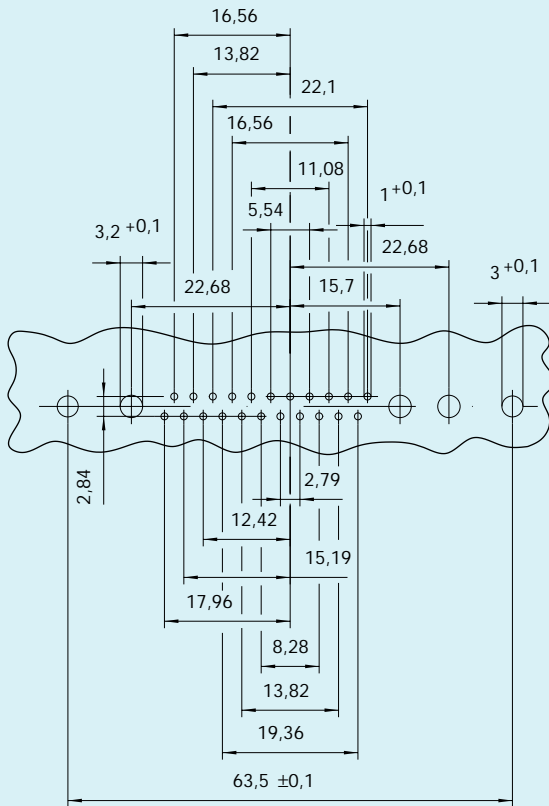
High Power Straight – Socket



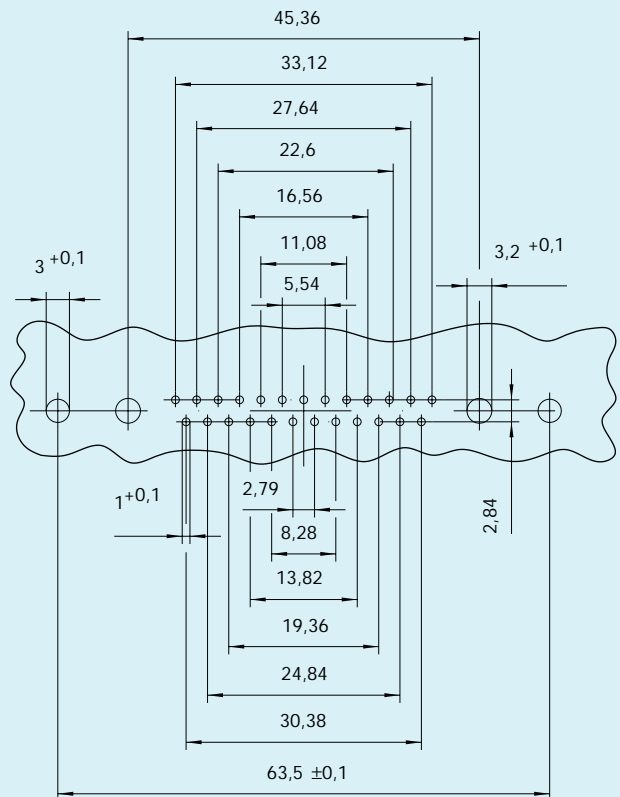
Shell size	<b>C</b>
Contact arrangement	<b>13H6</b>
Contact cavities size 20	<b>7</b>
Contact cavities size 8	<b>6</b>



Shell size	<b>C</b>
Contact arrangement	<b>17H5</b>
Contact cavities size 20	<b>12</b>
Contact cavities size 8	<b>5</b>



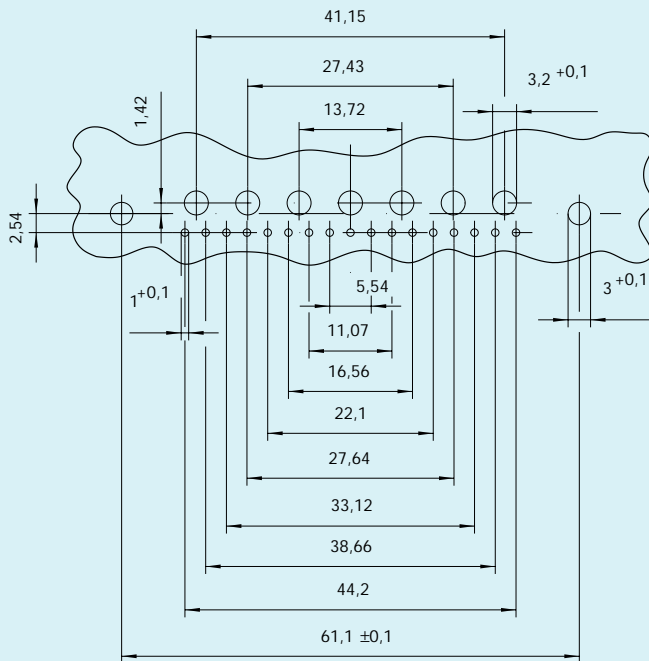
Shell size	<b>C</b>
Contact arrangement	<b>25H3</b>
Contact cavities size 20	<b>22</b>
Contact cavities size 8	<b>3</b>



Shell size	<b>C</b>
Contact arrangement	<b>27H2</b>
Contact cavities size 20	<b>25</b>
Contact cavities size 8	<b>2</b>

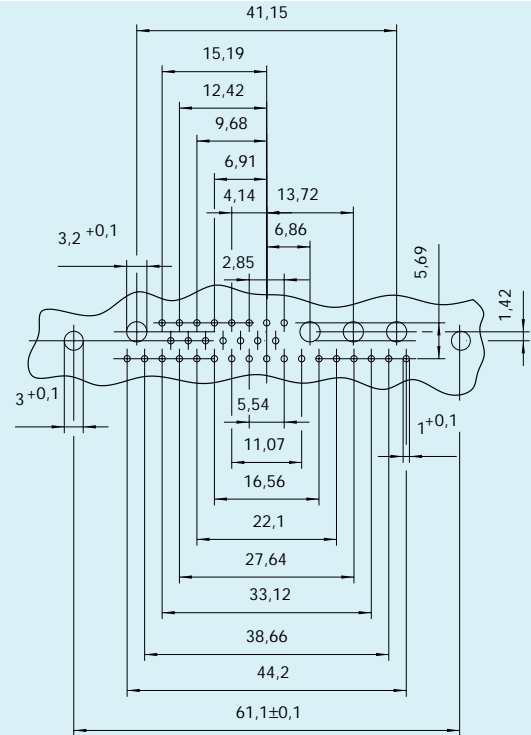
PCB Hole Pattern

High Power Straight – Socket

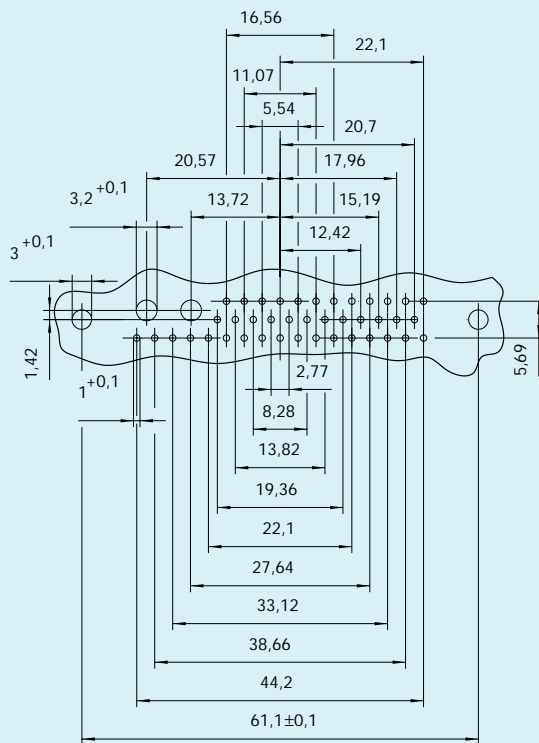


Shell size  
Contact arrangement  
Contact cavities size 20  
Contact cavities size 8

**D**  
**24H7**  
**17**  
**7**

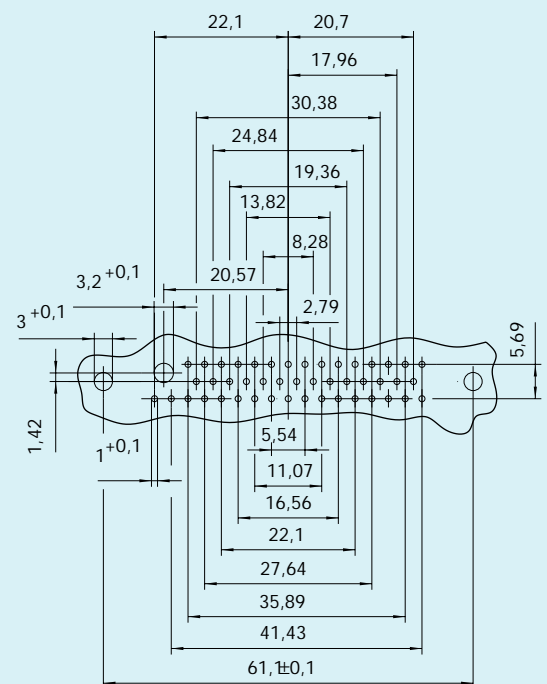


**D**  
**36H4**  
**32**  
**4**

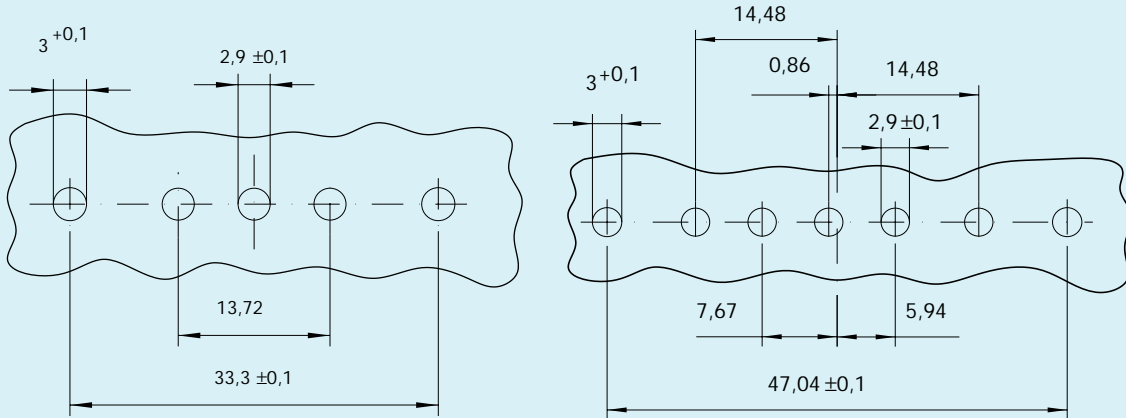


Shell size  
Contact arrangement  
Contact cavities size 20  
Contact cavities size 8

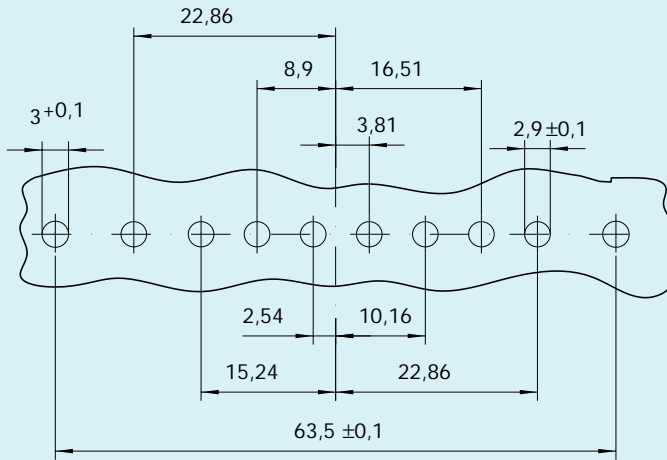
**D**  
**43H2**  
**41**  
**2**



**D**  
**47H1**  
**46**  
**1**



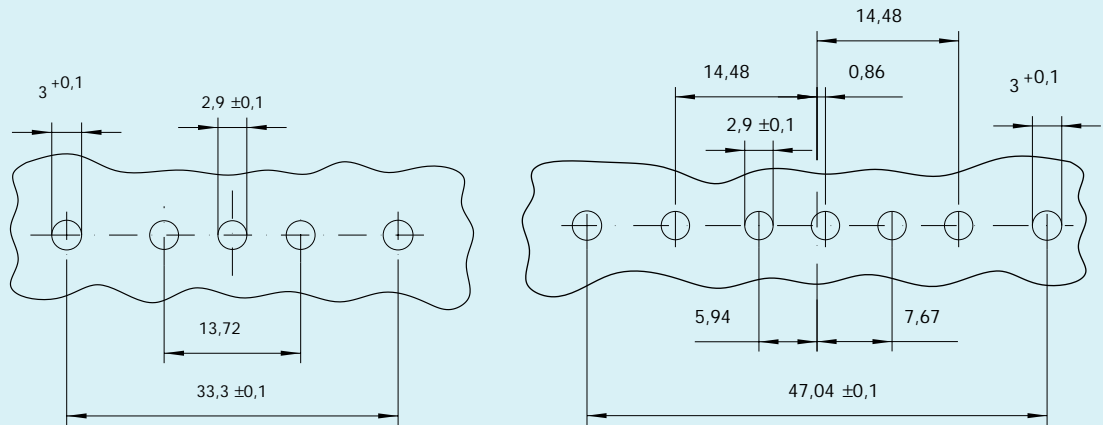
Shell size	<b>A</b>	<b>B</b>
Contact arrangement	<b>3W3-PO</b>	<b>5W5-PO</b>
Contact cavities size 20	-	-
Contact cavities size 8	<b>3</b>	<b>5</b>



Shell size	<b>C</b>
Contact arrangement	<b>8W8-PO</b>
Contact cavities size 20	-
Contact cavities size 8	<b>8</b>

PCB Hole Pattern

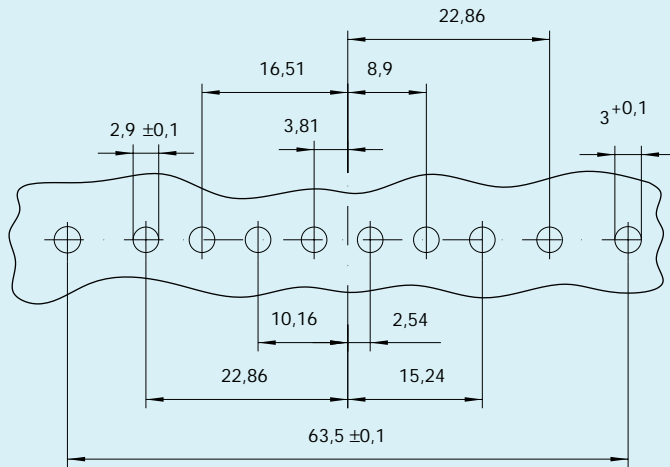
High Power Pressfit Straight – Socket



Shell size  
 Contact arrangement  
 Contact cavities size 20  
 Contact cavities size 8

**A**  
**3W3-PO**  
 -  
 3

**B**  
**5W5-PO**  
 -  
 5

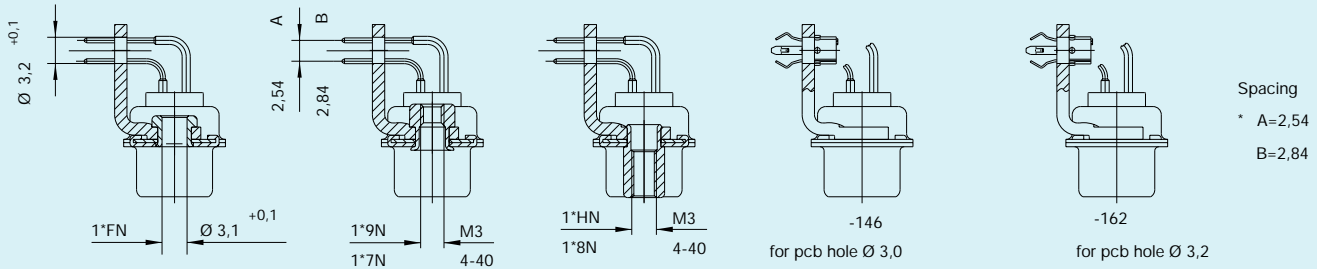


Shell size  
 Contact arrangement  
 Contact cavities size 20  
 Contact cavities size 8

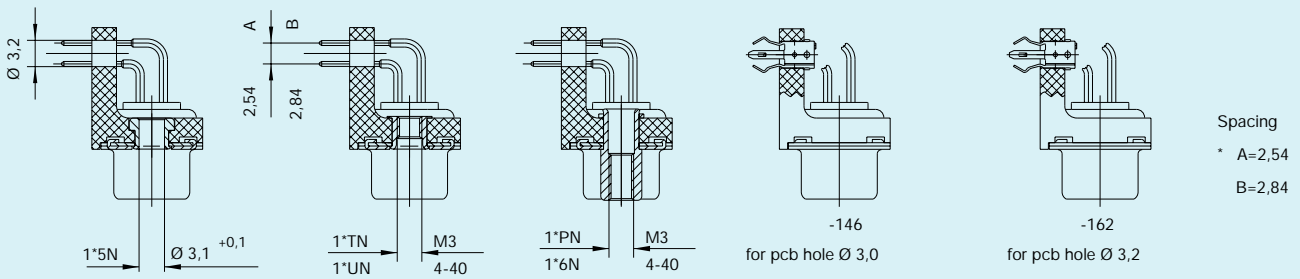
**C**  
**8W8-PO**  
 -  
 8

Mounting Methods

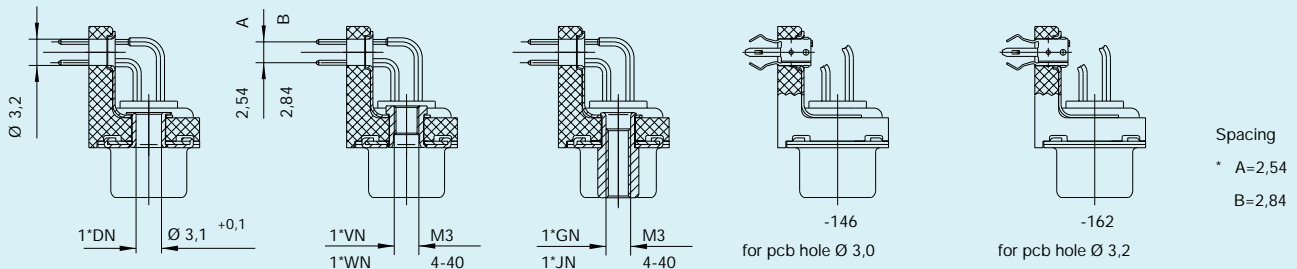
with metal mounting bracket 90°



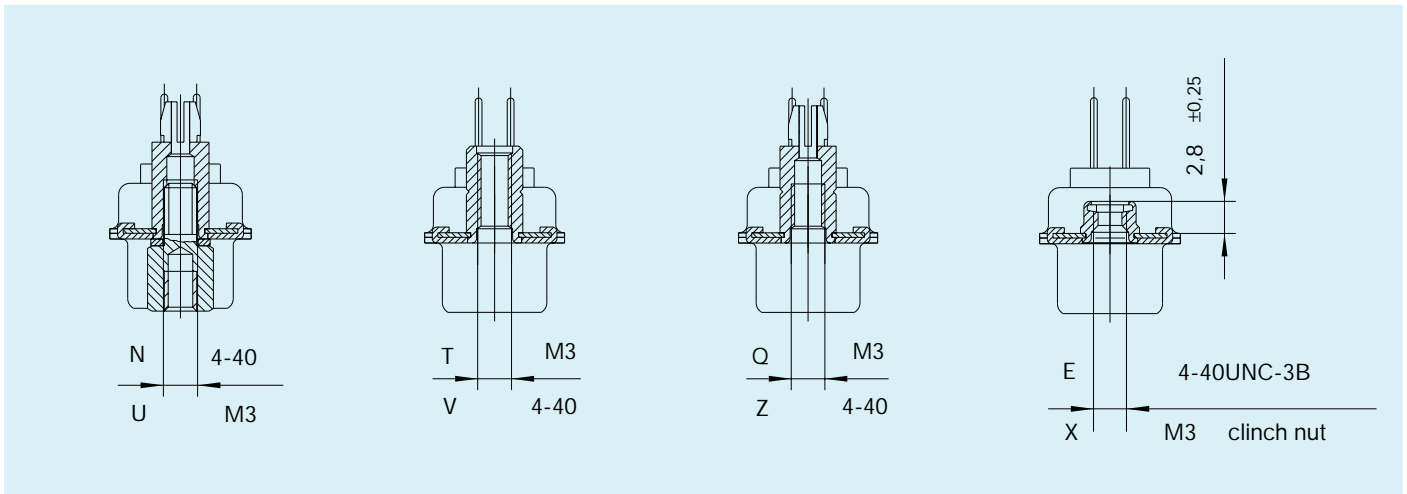
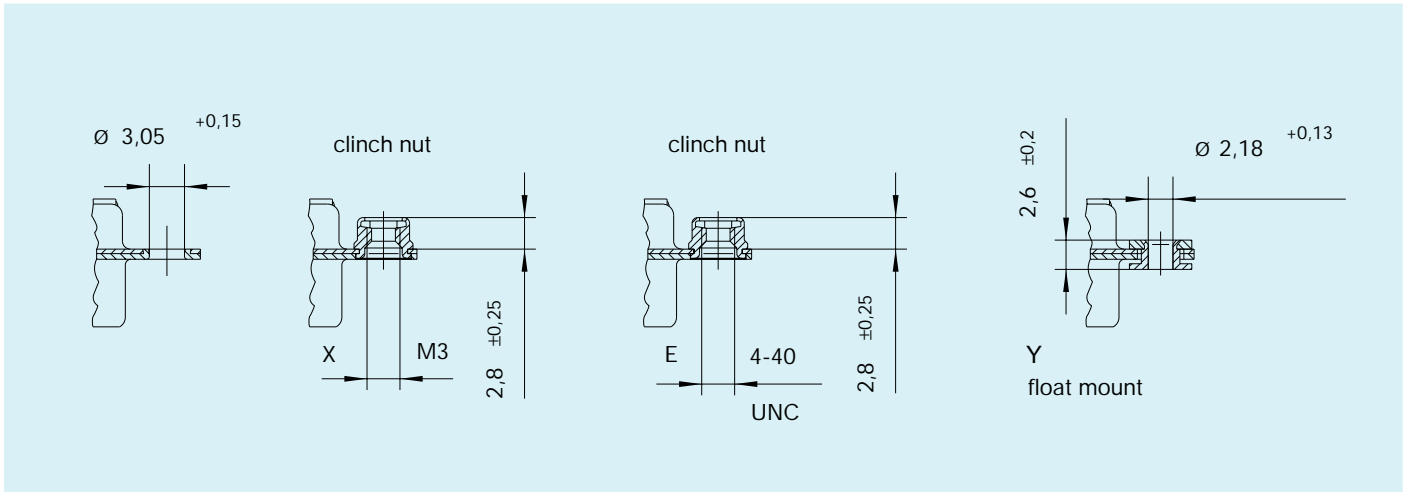
with plastic mounting bracket 90°



with plastic and grounding bracket 90°



Mounting Methods



Explanation of mounting types

- OL4 - solder pin straight
- 1A0N - without mounting bracket
- 1A5N - plastic bracket with bushing 3,5
- 1A6N - plastic bracket with post 4-40
- 1A7N - metal bracket and captive nut 4-40
- 1A8N - metal bracket with post 4-40
- 1A9N - metal bracket nad captive nut M3

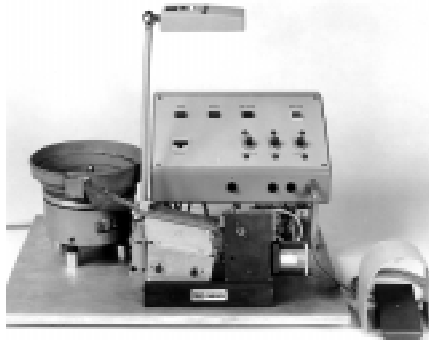
- 1ADN - plastic bracket with grounding bracket and bushing 3,05
- 1AFN - metal bracket with bushing 3,05
- 1AGN - plastic bracket with grounding bracket and post M3
- 1AHN - metal bracket with post M3
- 1AJN - plastic bracket with grounding bracket and post 4-40
- 1APN - plastic bracket with Post M3
- 1ATN - plastic bracket and captive nut M3
- 1AUN - plastic bracket and captive nut 4-40
- 1AVN - plastic bracket with grounding bracket and captive nut M3
- 1AWN - plastic bracket with grounding bracket and captive nut 4-40

- E - Clinch nut 4-40 , solder cup or straight pin and 1A0N
- N - 7,6 mm standoff 4-40 and pushfit (OL4 only)
- Q - 7,6 mm standoff M3, with pushfit (OL4 only)
- T - 7,6 mm standoff M3 (OL4 only)
- U - 7,6 mm standoff M3 and pushfit (OL4 only)
- V - 7,6 mm standoff 4-40 (OL4 only)
- X - Clinch nut M3, solder cup and straight pin and 1A0N
- Y - Dual float mount (solder cup only)
- Z - 7,6 mm standoff 4-40 with pushfit (OL4 only)



## Crimp Tools

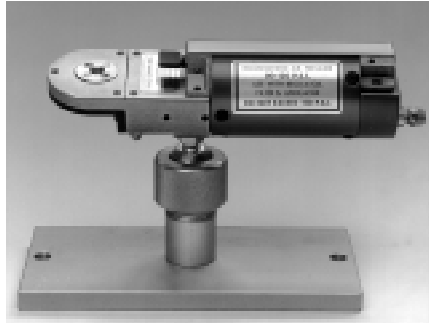
for machined contacts



### HACS-2-DA

With the semi-automatic crimp station HACS-2 machined contacts are terminated fast and reliably. 12 – 15 crimp terminations per minute can be achieved. The user has the choice between automatic and manual operation.

Wire sizes:  
AWG 30 – 26 and 24 – 20  
(0,05 – 0,14 and 0,2 – 0,56 mm<sup>2</sup>)



### CBT-565

Pneumatic crimp tool with work tray and foot pedal.

Turret:  
L-DA20 for wire sizes AWG 30 – 26 and 24 – 20  
(0,05 – 0,14 and 0,2 – 0,56 mm<sup>2</sup>)

Go/No Go – Gauge M22520-3-1 for testing and adjusting



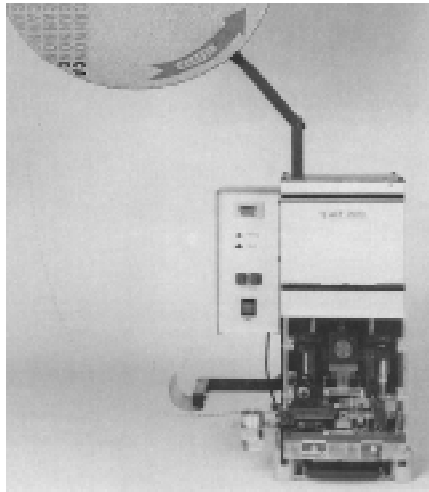
### M22520-2-01

Hand crimp tool with positioner L-DA20 only for wire sizes AWG 30 – 26 and 24 – 20  
(0,05 – 0,14 and 0,2 – 0,56 mm<sup>2</sup>)

Go/No Go – Gauge M22520-3-1 for testing and adjusting

*Please ask for our detailed Assembly Instructions*

## Crimp Tools for stamped contacts



### ACT2500 / 3500

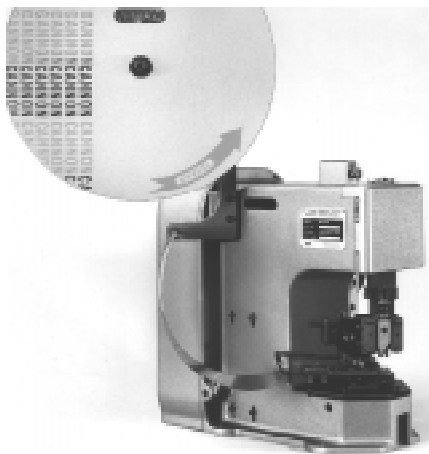
The semi-automatic stripping and crimping machine ACT2500 quickly and reliably terminates up to 1200 contacts per hour. The machine which only requires an electrical supply, is suitable for a wide variety of contacts and cable sizes. Crimp tools can be easily changed. Time consuming adjustments are unnecessary. Stripping and crimping is sensor released. This semi-automatic crimp machine is a practical and cost saving tool when using Cannon reeled contacts.

#### Crimp tools

ACT2500-DA20/24 for wire sizes AWG 24 – 20

ACT2500-DA24/28 for wire sizes AWG 28 – 24

ACT2500-DA28/32 for wire sizes AWG 32 – 28



### 4510

Contacts are fast and reliably terminated with the crimp machine 94-4510. Up to 20 crimp terminations per minute can be achieved. The tools for the different contact and wire sizes can easily be exchanged. No time consuming adjustments are necessary. A foot pedal starts the electric machine.

#### Crimp tools

94-4510-DA20/24 for wire sizes AWG 24 – 20

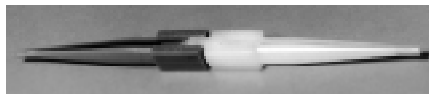
94-4510-DA24/28 for wire sizes AWG 28 – 24

94-4510-DA28/32 for wire sizes AWG 32 – 28



### CCT-DA

With the hand crimp tool CCT-DA each crimp cycle is ratchet controlled to ensure a reliable crimp. Suitable for on-site low volume applications.



### CIET-20-HDL

Plastic tool for insertion and extraction of contacts



### CET-20-D

Metal tool for extraction of contacts

*Please ask for our detailed Assembly Instructions*

## Press In Tools for stamped contacts

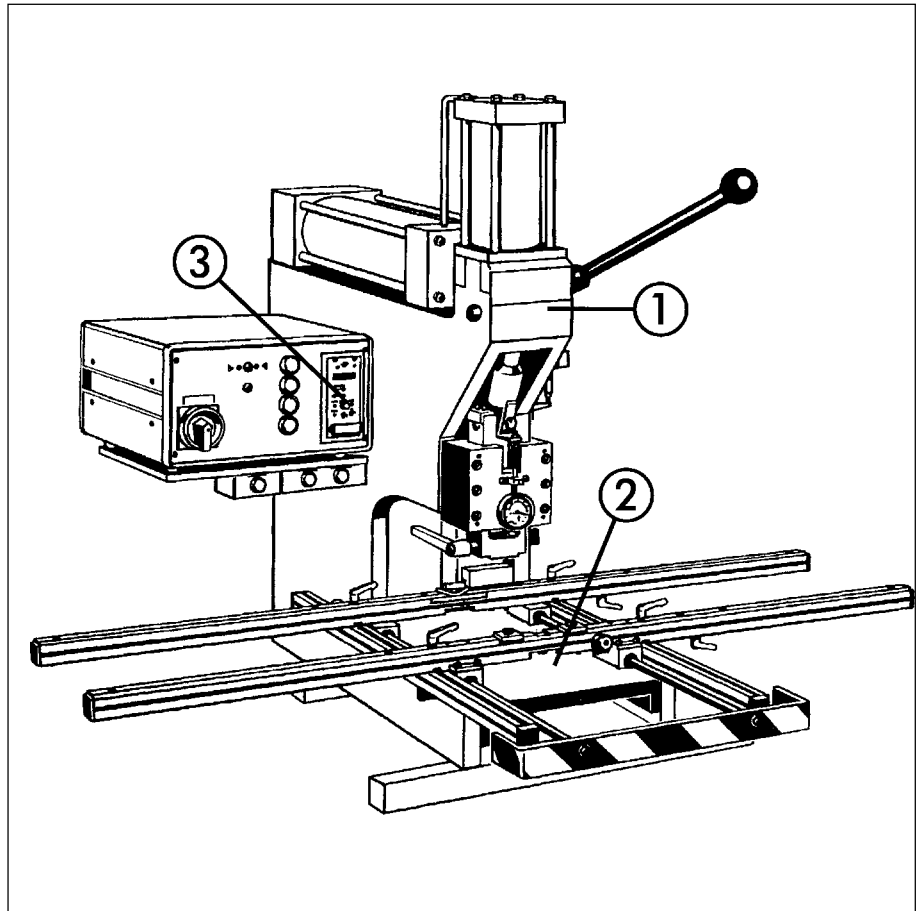
### CCP-60-250

This press is available with a pressure force meter, a printed circuit board thickness control meter and a moveable support.

To control the force of the press, a limit value will be adjusted. If it is exceeded during the press-in operation the hydropneumatic support switches off the press.

During the measuring of the pc board tolerances a measuring point takes over the control of the pc board thickness. If the tolerance deviations are larger than the adjusted limit value the hydro-pneumatic press-in support switches off the press. It is not possible to overpress the connector due to different pc board thicknesses.

The support can be moved to position the pc board as required without damage to any components on the rear of the pc board.



### Technical Data

Press force	60 kN
PC board size	500 x 1200 mm max
Width	1400 mm
Height	900 mm
Depth	800 mm
Weight	250 kg
Air pressure	6 bar min

### Order Reference

Legend	Description	Part Number	Order Reference
1	Press	CPP-60-250	121586-0205
2	PCB tolerance measuring with moveable support	CT120090-62	120090-0062
3	Press force control	CT 12090-61	12090-0061

Connector type	No. of contacts Signal / HP contacts	Press block		Support block	
		Pin connector	Socket connector	Pin connector /	Socket connector
HP-3W3	15 / 3	CT120090-128	CT120090-131	CT120090-46	
	25 / 5	CT120090-129	CT120090-132	CT120090-45	
	37 / 8	CT120090-130	CT120090-133	CT120090-52	
HP-3WK3	15 / 3	CT120090-134	CT120090-135	CT120090-46	
HP-90°	15 / 3	CT120090-157	CT120090-157	CT120090-46	

*Please ask for our detailed Assembly Instructions*

## Product Safety Information

**THIS NOTE SHOULD BE READ IN CONJUNCTION WITH THE PRODUCT DATA SHEET/CATALOGUE. FAILURE TO OBSERVE THE ADVICE IN THIS INFORMATION SHEET AND THE OPERATING CONDITIONS SPECIFIED IN THE PRODUCT DATA SHEET/CATALOGUE COULD RESULT IN HAZARDOUS SITUATIONS.**

### 1. MATERIAL CONTENT AND PHYSICAL FORM

Electrical connectors do not usually contain hazardous materials. They contain conducting and non-conducting materials and can be divided into two groups.

a) Printed circuit types and low cost audio types which employ all plastic insulators and casings.

b) Rugged, Fire Barrier and High Reliability types with metal casings and either natural rubber, synthetic rubber, plastic or glass insulating materials.

Contact materials vary with type of connector and also application and are usually manufactured from either copper, alloys, nickel, alumel, chromel or steel. In special applications, other alloys may be specified.

### 2. FIRE CHARACTERISTICS AND ELECTRIC SHOCK HAZARD

**There is no fire hazard when the connector is correctly wired and used within the specified parameters. Incorrect wiring or assembly of the connector or careless use of metal tools or conductive fluids, or transit damage to any of the component parts may cause electric shock or burns. Live circuits must be broken by separating mated connectors as this may cause arcing, ionisation and burning.**

Heat dissipation is greater at maximum resistance in a circuit. Hot spots may occur when resistance is raised locally by damage, e.g. cracked or deformed contacts, broken strands of wire. Local overheating may also result from the use of the incorrect application tools or from poor quality soldering or slack screw terminals. Overheating may occur if the ratings in the Product Data Sheet/Catalogue are exceeded and can cause breakdown of insulation and hence electric shock.

If heating is allowed to continue it intensifies by further increasing the local resistance through loss of temper of spring contacts, formation of oxide film on contacts and wires, and leakage currents through carbonisation of insulation and tracking paths. Fire can then result in the presence of combustible materials and this may release noxious fumes. Overheating may not be visually apparent. Burns may result from touching overheated components.

### 3. HANDLING

Care must be taken to avoid damage to any component parts of electrical connectors during installation and use. Although there are normally no sharp edges, care must be taken when handling certain components to avoid injury to fingers.

Electrical connectors may be damaged in transit to the customers, and damage may result in creation of hazards. Products should therefore be examined prior to installation/use and rejected if found to be damaged.

### 4. DISPOSAL

Incineration of certain materials may release noxious or even toxic fumes.

### 5. APPLICATION

Connectors with exposed contacts should not be selected for use on the current supply side of an electrical circuit, because an electric shock could result from touching exposed contacts on an unmated connector. Voltages in excess of 30 V ac or 42.5 V dc are potentially hazardous and care should be taken to ensure that such voltages can not be transmitted in any way to exposed metal parts of the connector body. The connector and wiring should be checked, before making live, to have no damage to metal parts of insulators, no solder blobs, loose strands, conducting lubricants, swarf, or any other undesired conducting particles. Insulation resistance should be checked to make certain that no low resistance joints or spurious conducting path are existing between contacts and exposed metal parts of the connector body. Further the contact resistance of the connectors should be measured within the electrical circuit in order to identify high resistances which result in excessive connector heating.

Always use the correct application tools as specified in the Data Sheet/Catalogue.

Do not permit untrained personnel to wire, assemble or tamper with connectors.

For operation voltage please see appropriate national regulations.

### IMPORTANT GENERAL INFORMATION.

1. Air and creepage paths/Operating voltage  
The admissible operating voltages depend on the individual applications and the valid national and other applicable safety regulations.

For this reason the air and creepage path data are only reference values. Observe reduction of air and creepage paths due to PC board and/or harnessing.

### 2. Temperature

All information given are temperature limits. The operation temperature depends on the individual application.

### 3. Other important information

Cannon continuously endeavours to improve their products. Therefore, Cannon products may deviate from the description, technical data and shape as shown in this catalogue and data sheets.

### 4. Harnessing and Assembly Instructions

If applicable, our special harnessing and/or assembly instruction has to be adhered to. This is provided at request.

ITT Cannon manufactures the highest quality products available in the marketplace; however these products are intended to be used in accordance with the specifications in this catalog. Any use or application that deviates from stated operating specifications is not recommended and may be unsafe. No information and data contained in this catalog shall be construed to create any liability on the part of Cannon. Any new issue of this catalog shall automatically invalidate and supersede any and all previous issues. **A limited warranty applies to Cannon products. Except for obligations assumed by Cannon under this warranty, Cannon shall not be liable for any loss, damage, cost of repairs, incidental or consequential damages of any kind, whether or not based on express or implied warranty, contract, negligence or strict liability arising in connection with the design, manufacture, sale, use or repair of the products.** Product availability, prices and delivery dates are exclusively subject to our respective order confirmation form; the same applies to orders based on development samples delivered. This catalog is not be construed as an offer. It is intended merely as an invitation to make an offer. By this publication, Cannon does not assume responsibility or any liability for any patent infringements or other rights of third parties which may result from its use. Reprinting this catalog is generally permitted, indicating the source. However, Cannon's prior consent must be obtained in all cases.

Cannon is a trademark of ITT Industries, Inc