

## 阅读申明

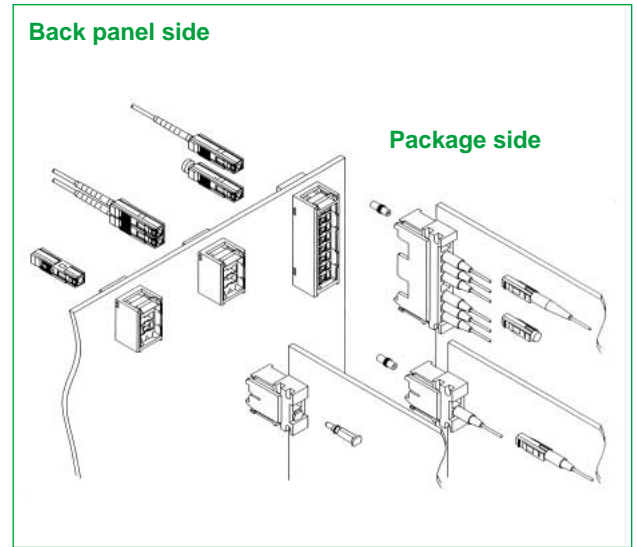
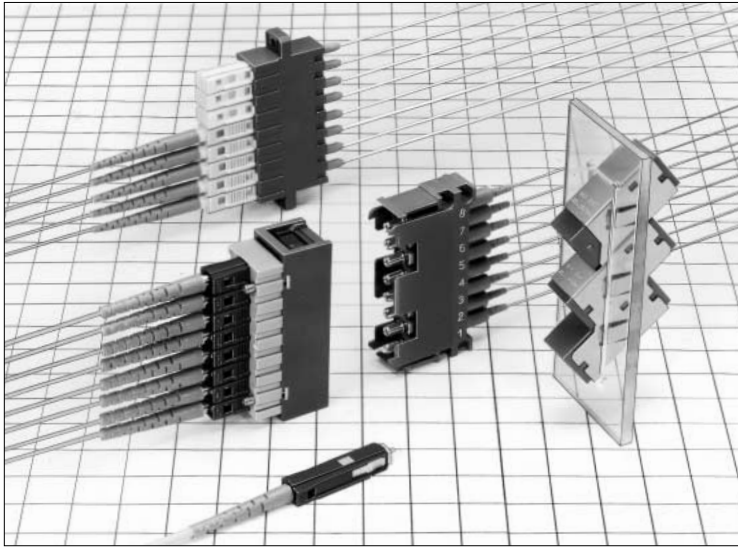
- 1.本站收集的数据手册和产品资料都来自互联网，版权归原作者所有。如读者和版权方有任何异议请及时告之，我们将妥善解决。
- 2.本站提供的中文数据手册是英文数据手册的中文翻译，其目的是协助用户阅读，该译文无法自动跟随原稿更新，同时也可能存在翻译上的不当。建议读者以英文原稿为参考以便获得更精准的信息。
- 3.本站提供的产品资料，来自厂商的技术支持或者使用者的心得体会等，其内容可能存在描述上的差异，建议读者做出适当判断。
- 4.如需与我们联系，请发邮件到marketing@iczoom.com，主题请标有“数据手册”字样。

## Read Statement

1. The datasheets and other product information on the site are all from network reference or other public materials, and the copyright belongs to the original author and original published source. If readers and copyright owners have any objections, please contact us and we will deal with it in a timely manner.
2. The Chinese datasheets provided on the website is a Chinese translation of the English datasheets. Its purpose is for reader's learning exchange only and do not involve commercial purposes. The translation cannot be automatically updated with the original manuscript, and there may also be improper translations. Readers are advised to use the English manuscript as a reference for more accurate information.
3. All product information provided on the website refer to solutions from manufacturers' technical support or users the contents may have differences in description, and readers are advised to take the original article as the standard.
4. If you have any questions, please contact us at marketing@iczoom.com and mark the subject with "Datasheets" .

# MU Type Fiber Optic Connectors

## HMU Series



### ■ Features

#### 1. JIS, IEC standard compliant and intermateability test certified.

Comply with JIS C 5983 (F14 type fiber optic connectors) and IEC 61754-6.  
MU intermate test by NTT certified connector.

#### 2. Flame resistant

Satisfies flammability rating UL94-V0

#### 3. Backplane

MU Backplane connector has a self-holding mechanism which does not transfer any force on the back panel when both side of connector assemblies are fully connected. Back panel side connectors can be removed or inserted even both sides are mated.

#### 4. Wide Variety of adapter type

| Type  | Number of Fiber connections |        |       |       |        |
|---|-----------------------------|--------|-------|-------|--------|
|   | Single                      | Duplex | 4 way | 8 way | 16 way |
| Board Mounting                                | ○                           | ○      | —     | ○     | —      |
| Snap-in Panel Mounting & Screw Panel Mounting | ○                           | ○      | ○     | ○     | ○      |

#### 5. Simplified plugs and Receptacles

Extremely small size (only 13.75mm Plug length). MU simplified plug is designed for equipments inside connection.

### ■ Applications

Optical terminal equipment, optical relay racks, test equipment, telecommunication equipment and other systems requiring Small Form Factor optical connections.

Please contact us if you have any requests. Hirose will offer excellent solutions to meet your requirements.

## ■ Product Specifications

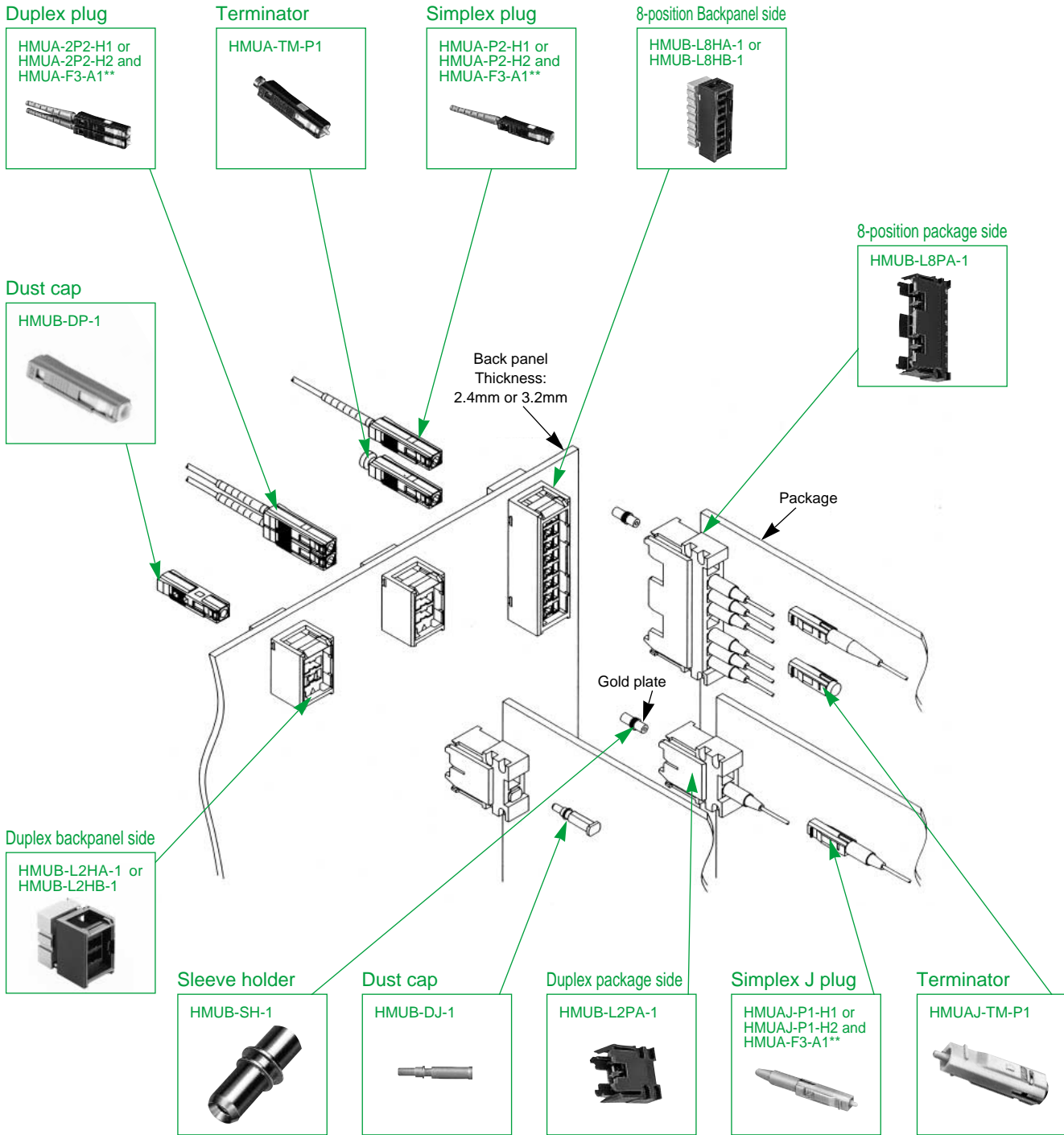
|         |                             |                |                           |                |
|---------|-----------------------------|----------------|---------------------------|----------------|
| Ratings | Operating temperature range | -25°C to +70°C | Storage temperature range | -25°C to +70°C |
|---------|-----------------------------|----------------|---------------------------|----------------|

| Item                                     |                                      | Test Method (IEC 61300/JIS C 5961)               |  | Specifications  |
|--|--------------------------------------|--|--|---|
| Optical Characteristics                  | Insertion Loss                       | SM   | Wavelength 1310nm (LD)   | 0.5dB max. (AdPC)   |
|  |                                      | MM(GI)   | Wavelength 1310nm (LED)  | 0.3dB max. (AdPC)   |
| Optical Characteristics                  | Return Loss                          | SM   | Wavelength 1310nm (LD)   | 40dB min. (AdPC)  |
|  |                                      | MM(GI)   |  |   |
| Mechanical Characteristics               | Engagement and Separation forces     |  | Measured with corresponding connector.   | Simplex plug Engagement force: 12.5 N max.<br>Separation force: 12.5 N max.<br>Duplex plug Engagement force: 25 N max.<br>Separation force: 25 N max. |
|  | Ferrule with drawal force            |  | Extract zirconia gauge 1.249 ±0.0005 mm diameter from split sleeve.  | Copper alloy split sleeve 1N to 3N<br>Zirconia split sleeve 1N to 2.5N  |
|  | Cable retention (Straight pull)      |  | 70N tensile loads for one minute.  | 1) Insertion loss fluctuation after test: 0.2dB max.<br>2) No visible damage, dislocation of clamp or cable.  |
|  | Durability (cycles, mating/unmating) |  | 200 times (Backplane)<br>500 times (Plug)  | 1) Insertion loss fluctuation after test: 0.2dB max.<br>2) No visible damage, cracks or part dislocation.   |
|  | Vibration                            |  | Frequency: 10 to 55 Hz, single amplitude of 0.75 mm, 2 hours in each of the 3 axis.                            |   |
|  | Shock                                |  | Acceleration of 981 m/s <sup>2</sup> , 6 ms duration, sin half-wave waveform, 10 cycles in each of the 3 axis. |   |
| Humidity (Temperature/ humidity- cycles) |                                      | -10°C to 65°C, humidity: 90% to 96%<br>10 cycles |  |   |
| Environmental Characteristics            | Change of Temperature                |  | -25°C to +70°C 100 cycles  | No significant corrosion.   |
|  | Dry heat                             |  | 960 hours at 85°C  |   |
|  | Cold                                 |  | 960 hours at -25°C   |   |
|  | Salt mist                            |  | 48 hours in a 5% concentration of salt mist  |   |

## ■ Materials

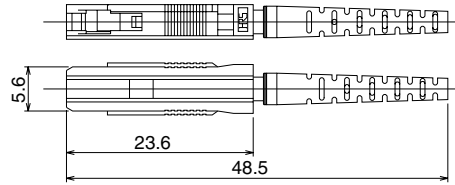
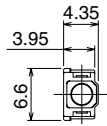
| Part                          | Material   |
|-------------------------------|--|
| Simplex plug housing          | Synthetic resin                                  |
| Spring                        | Steel  |
| Ferrule                       | Zirconia   |
| Simplex adapter housing       | Synthetic resin                                  |
| Adapter metal fittings        | Stainless steel or copper alloy (Nickel plating) |
| Simplified receptacle housing | Synthetic resin                                  |
| Simplified plug               | Zirconia   |
| Backplane connector housing   | Synthetic resin                                  |
| Split sleeve                  | Zirconia or copper alloy                         |
| Dust cap                      | Synthetic resin                                  |

# Function diagram



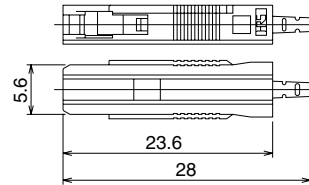
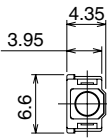
## ■ Plug Housings

### ● Simplex Plug Housing for 2mm cable



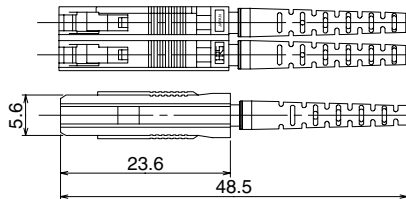
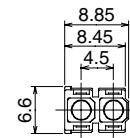
| Part Number    | CL No.        | Boot color   |
|----------------|---------------|--------------|
| HMUA-P2-H1(07) | 710-0047-9-07 | Blue         |
| HMUA-P2-H2(07) | 710-0001-8-07 | Light purple |

### ● Simplex Plug Housing for 0.9mm fiber



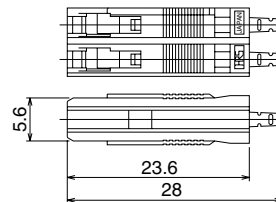
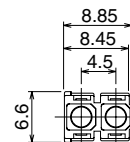
| Part Number      | CL No.        | Boot color   |
|------------------|---------------|--------------|
| HMUA-P0.9-H1(01) | 710-0158-0-01 | Blue         |
| HMUA-P0.9-H2(01) | 710-0159-2-01 | Light purple |

### ● Duplex Plug Housing for 2mm cable



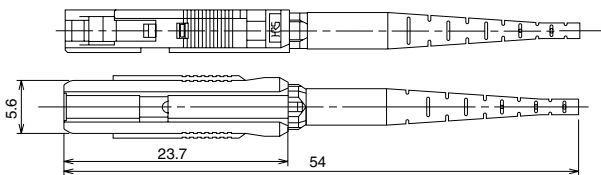
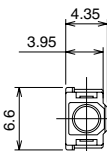
| Part Number     | CL No.        | Boot color   |
|-----------------|---------------|--------------|
| HMUA-2P2-H1(07) | 710-0048-1-07 | Blue         |
| HMUA-2P2-H2(07) | 710-0002-0-07 | Light purple |

### ● Duplex Plug Housing for 0.9mm fiber



| Part Number       | CL No.        | Boot color   |
|-------------------|---------------|--------------|
| HMUA-2P0.9-H1(01) | 710-0162-7-01 | Blue         |
| HMUA-2P0.9-H2(01) | 710-0163-0-01 | Light purple |

### ● Simplex Plug Housing for 1.1mm Cable

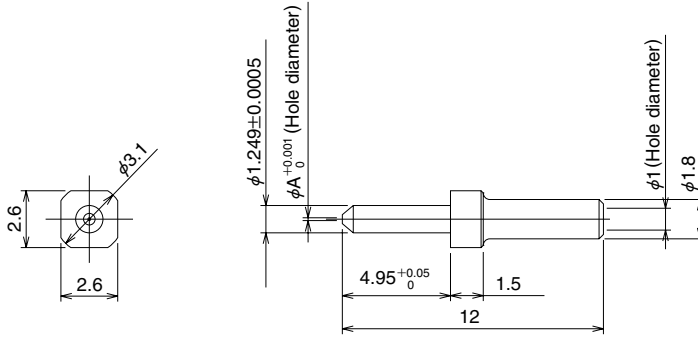
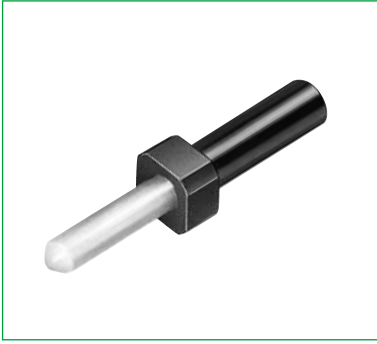


| Part Number  | CL No.     | Boot color   |
|--------------|------------|--------------|
| HMUA-P1.1-H2 | 710-0133-9 | Light purple |

Note: Ferrules, HMUA-F3A2-A12\*(10) should be needed for this plug. (see page 9) Certain assemble tools are also needed. Please contact sales representative for the details.

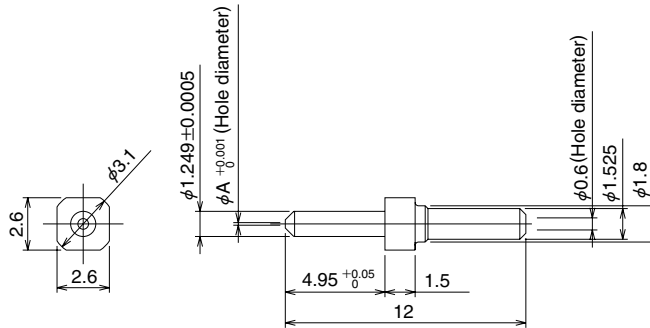
## Ferrules

### For MU plugs



| Part Number       | CL No.        | A dimension | Applicable Fiber cable |
|-------------------|---------------|-------------|------------------------|
| HMUA-F3-A125(10)  | 710-0024-3-10 | 0.125       | SM,MM                  |
| HMUA-F3-A1255(10) | 710-0121-0-10 | 0.1255      |                        |
| HMUA-F3-A126(10)  | 710-0025-6-10 | 0.126       |                        |

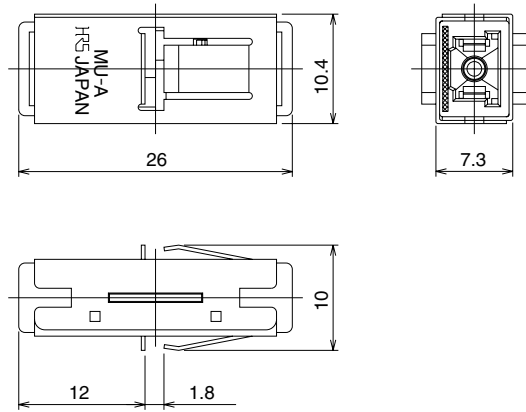
### For HMUA-P1. 1-H\* plugs



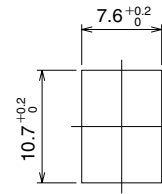
| Part Number         | CL No.        | A dimension | Applicable Fiber cable |
|---------------------|---------------|-------------|------------------------|
| HMUA-F3A2-A125(10)  | 710-0138-2-10 | 0.125       | SM,MM                  |
| HMUA-F3A2-A1255(10) | 710-0142-0-10 | 0.1255      |                        |
| HMUA-F3A2-A126(10)  | 710-0139-5-10 | 0.126       |                        |

## Adapters

### Simplex Adapter / Snap-in Panel Mounting



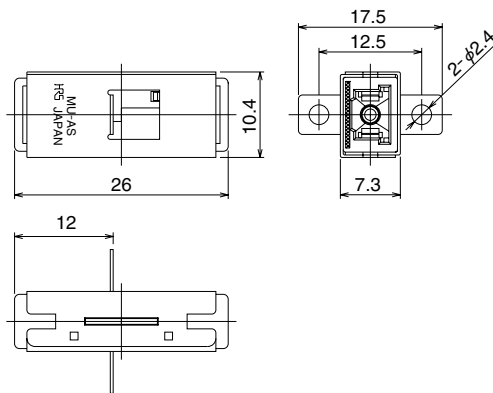
### Panel Cutout



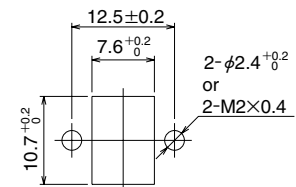
Panel thickness: 1.6mm

| Part Number | CL No.     | Split sleeve |
|-------------|------------|--------------|
| HMUA-A-3    | 710-0103-8 | Zirconia     |

### Simplex Adapter / Screw Panel Mounting

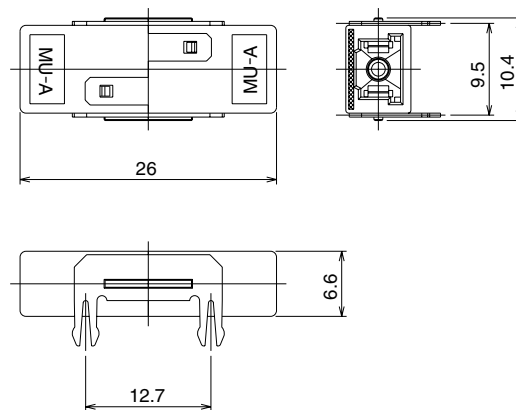


### Panel Cutout

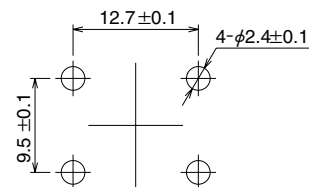


| Part Number | CL No.     | Split sleeve |
|-------------|------------|--------------|
| HMUA-AS-3   | 710-0104-0 | Zirconia     |

### Simplex Adapter / Board Mounting



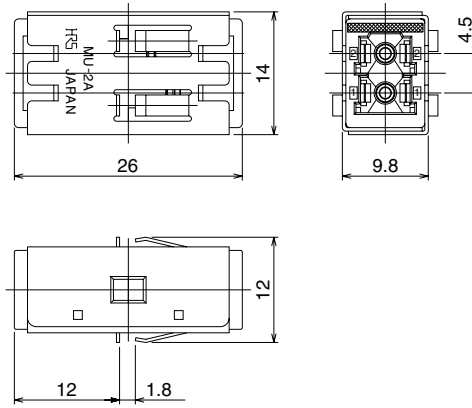
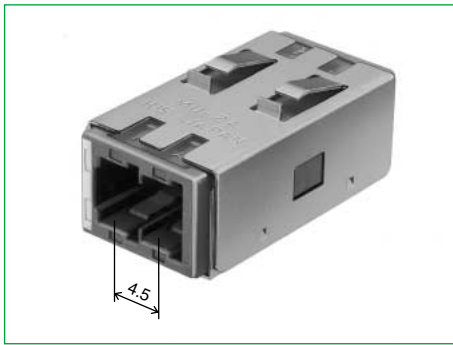
### Board Mounting Pattern



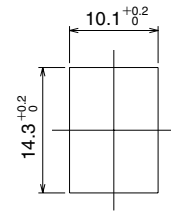
Board thickness: 1.6mm

| Part Number | CL No.     | Split sleeve |
|-------------|------------|--------------|
| HMUA-AH-3   | 710-0105-3 | Zirconia     |

●Duplex adapter / Snap-in Panel Mounting  
4.5mm Type



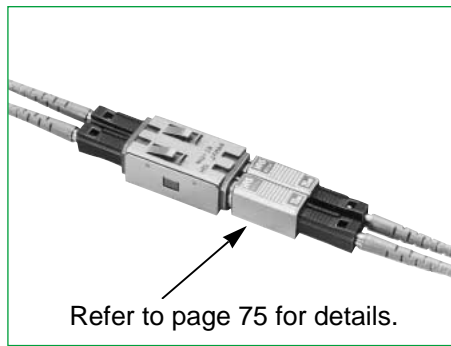
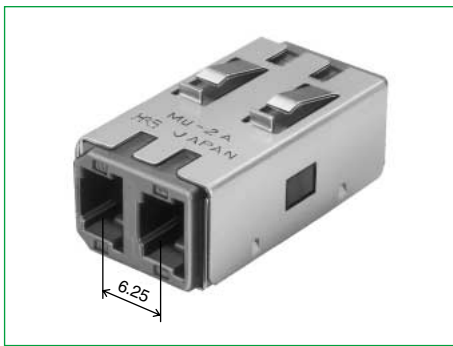
◆Panel Cutout



Panel thickness:1.6mm

| Part Number | CL No.     | Split sleeve |
|-------------|------------|--------------|
| HMUA-2A-4   | 710-0187-8 | Zirconia     |

●Duplex Adapter / Screw Panel Mounting  
6.25mm Type



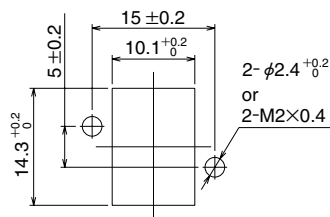
| Part Number | CL No.     | Split sleeve |
|-------------|------------|--------------|
| HMUA-2AK-1  | 710-0196-9 | Zirconia     |

Note:The outer dimension is the same as the above "HMUA-2A-4".

●Duplex Adapter / Screw Panel Mounting



◆Panel Cutout

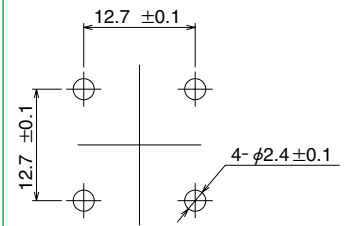


| Part Number | CL No.     | Split sleeve |
|-------------|------------|--------------|
| HMUA-2AS-4  | 710-0188-0 | Zirconia     |

●Duplex Adapter / Board Mounting



◆Board Mounting Pattern

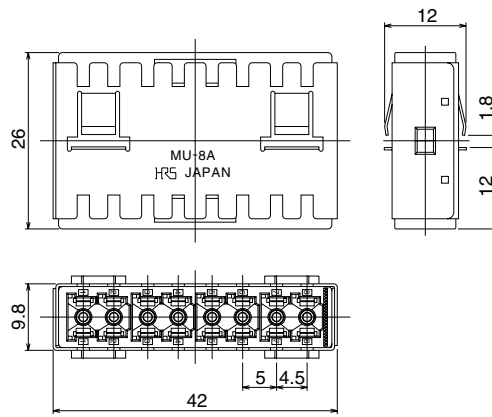


Board thickness: 1.6mm

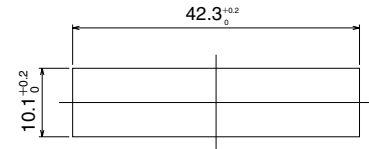
| Part Number | CL No.     | Split sleeve |
|-------------|------------|--------------|
| HMUA-2AH-4  | 710-0189-3 | Zirconia     |



### ●8-Position Adapter / Snap-in Panel Mounting



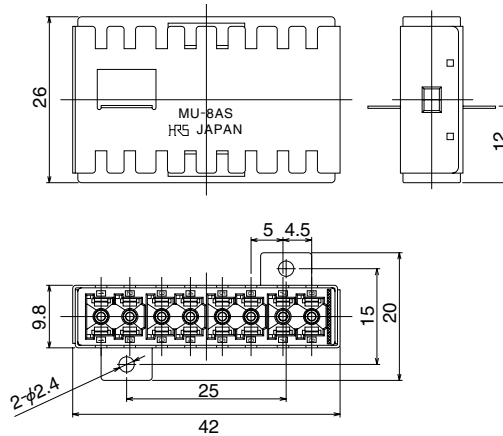
#### ◆Panel Cutout



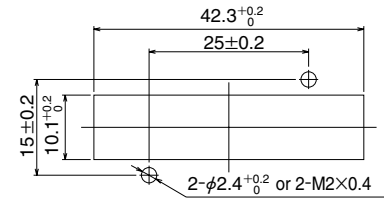
Panel thickness: 1.6mm

| Part Number | CL No.     | Split sleeve |
|-------------|------------|--------------|
| HMUA-8A-3   | 710-0174-6 | Zirconia     |

### ●8-Position Adapter / Screw Panel Mounting

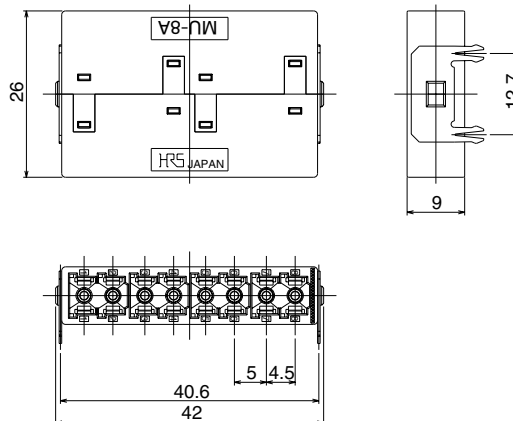


#### ◆Panel Cutout

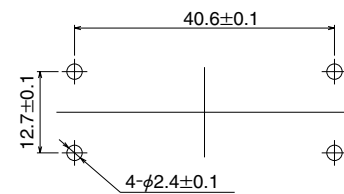


| Part Number | CL No.     | Split sleeve |
|-------------|------------|--------------|
| HMUA-8AS-3  | 710-0175-9 | Zirconia     |

### ●8-Position Adapter / Board Mounting



#### ◆Board Mounting Pattern

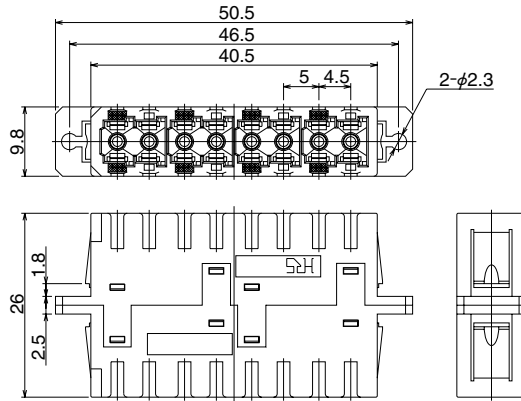


Board thickness: 1.6mm

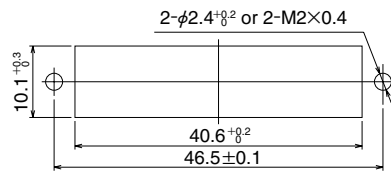
| Part Number | CL No.     | Split sleeve |
|-------------|------------|--------------|
| HMUA-8AH-3  | 710-0176-1 | Zirconia     |

## ■ Cost effective adapters

### ● 8-Position Adapter / Screw Panel Mounting



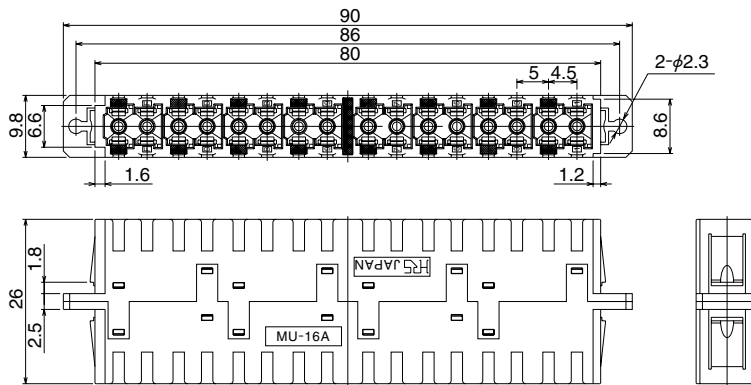
#### ◆ Panel Cutout



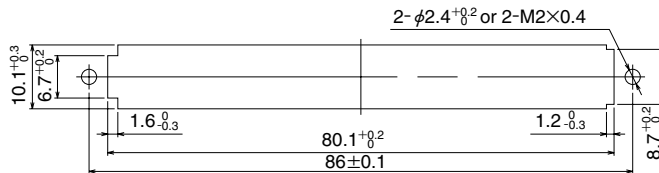
Panel thickness:1.6mm

| Part Number | CL No.     | Split sleeve |
|-------------|------------|--------------|
| HMUA-8A-2   | 710-0155-1 | Zirconia     |
| HMUA-8A-B2  | 710-0119-8 | Copper alloy |

### ● 16-Position Adapter / Screw Panel Mounting



#### ◆ Panel Cutout



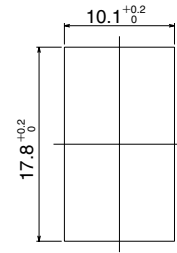
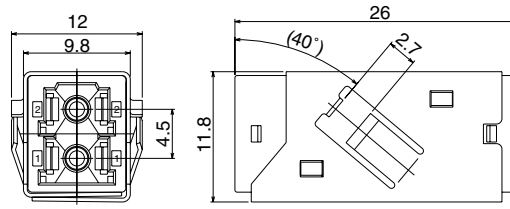
Panel thickness:1.6mm

| Part Number | CL No.     | Split sleeve |
|-------------|------------|--------------|
| HMUA-16A-2  | 710-0143-2 | Zirconia     |
| HMUA-16A-B2 | 710-0113-1 | Copper alloy |

## ■Angled Adapters

### ●Duplex Angled Adapter / Snap-in Panel Mounting

### ◆Panel Cutout

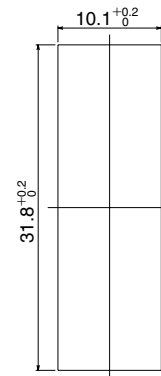
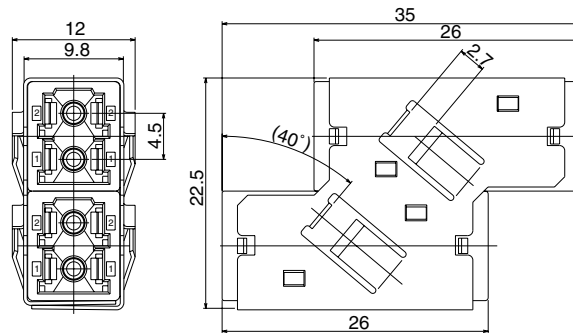


Panel thickness: 2.5mm

| Part Number  | CL No.     | Split sleeve | Mounting Angle |
|--------------|------------|--------------|----------------|
| HMUA-2A-40-4 | 710-0177-4 | Zirconia     | 40°            |

### ●4-Position Angled Adapter / Snap-in Panel Mounting

### ◆Panel Cutout

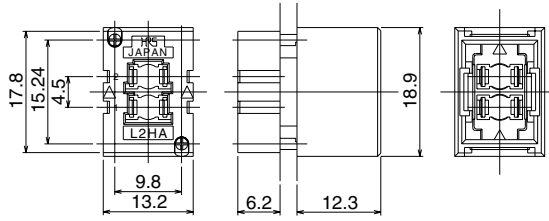


Panel thickness: 2.5mm

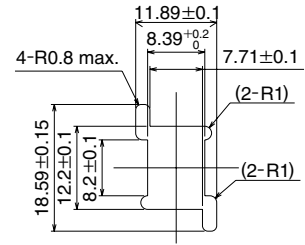
| Part Number  | CL No.     | Split sleeve | Mounting Angle |
|--------------|------------|--------------|----------------|
| HMUA-4A-40-4 | 710-0178-7 | Zirconia     | 40°            |

## ■ Backpanel side Connector Housings

### ● Duplex Backpanel side Connector Housing



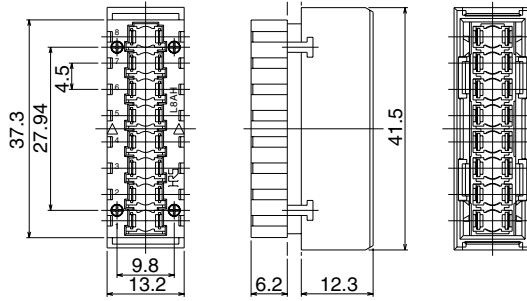
### ◆ Panel Cutout



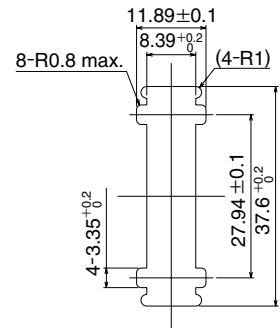
| Part Number | CL No.     | Panel thickness |
|-------------|------------|-----------------|
| HMUB-L2HA-1 | 710-0017-8 | 2.4mm           |
| HMUB-L2HB-1 | 710-0018-0 | 3.2mm           |

Note: Screw fastening torque: 0.03Nm

### ● 8-Position Backpanel side Connector Housing



### ◆ Panel Cutout



| Part Number | CL No.     | Panel thickness |
|-------------|------------|-----------------|
| HMUB-L8HA-1 | 710-0019-3 | 2.4mm           |
| HMUB-L8HB-1 | 710-0020-2 | 3.2mm           |

Note: Screw fastening torque: 0.03Nm

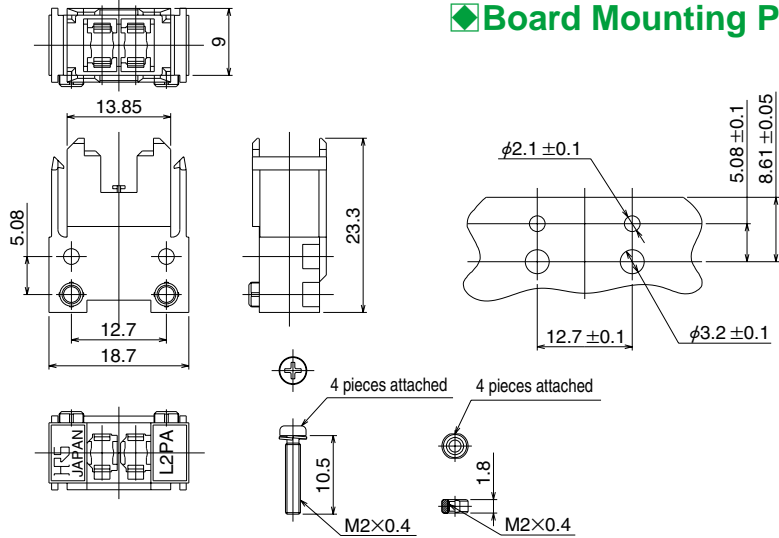
## Package side Connector Housings

### Duplex Package side Connector Housing



| Part Number | CL No.     |
|-------------|------------|
| HMUB-L2PA-1 | 710-0015-2 |

Note : Screw fastening torque : 0.15Nm



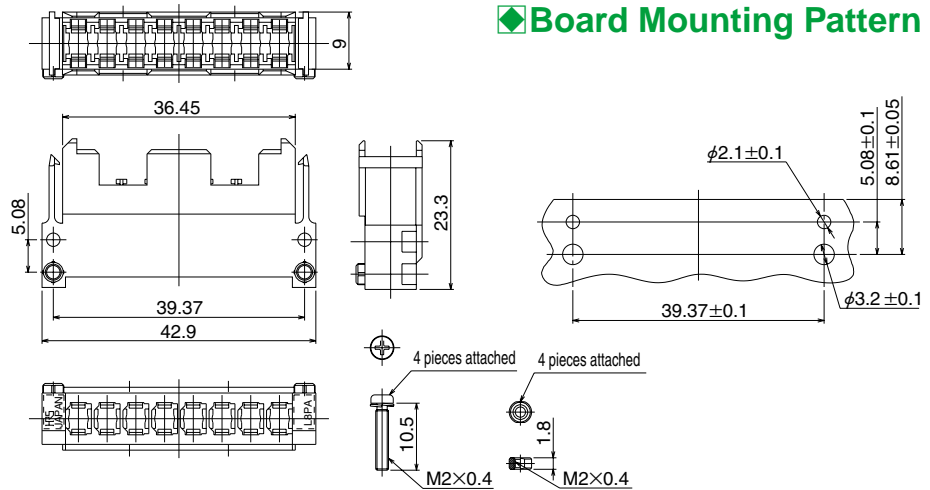
### Board Mounting Pattern

### 8-Position Package side Connector Housing



| Part Number | CL No.     |
|-------------|------------|
| HMUB-L8PA-1 | 710-0016-5 |

Note : Screw fastening torque : 0.15Nm

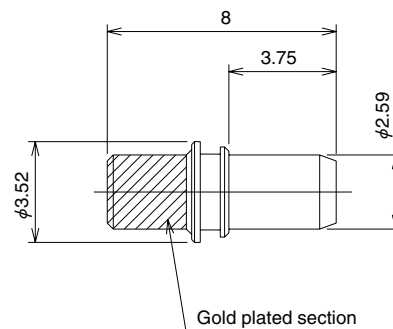


### Board Mounting Pattern

## Sleeve Holder



| Part Number | CL No.     | Split sleeve |
|-------------|------------|--------------|
| HMUB-SH-1   | 710-0021-5 | Zirconia     |



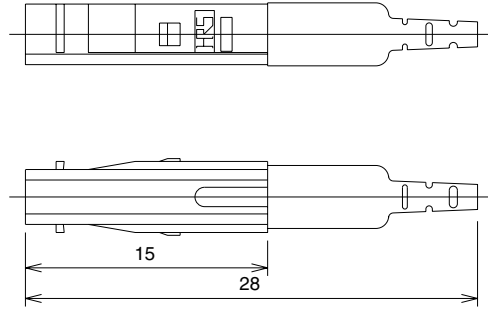
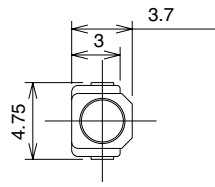
Note: This Sleeve Holder should be used for duplex and 8-position package side connector housing and J Plug Housing connector plug.

Insert the Sleeve Holder using dedicated tool #HMUB-TS-1.

The gold plated section of the Sleeve Holder should be inserted into the package side connector housing.

## ■ J Plug Housing

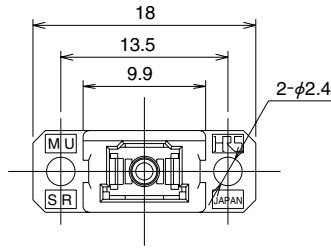
### ● Simplex J Plug Housing for 0.9mm fiber



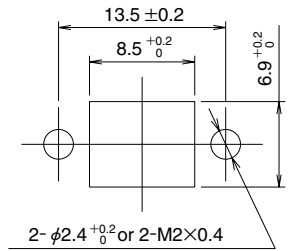
| Part Number       | CL No.        | Boot color   |
|-------------------|---------------|--------------|
| HMUAJ-P0.9-H1(01) | 710-0160-1-01 | Blue         |
| HMUAJ-P0.9-H2(01) | 710-0161-4-01 | Light purple |

## ■ Simplified Receptacles

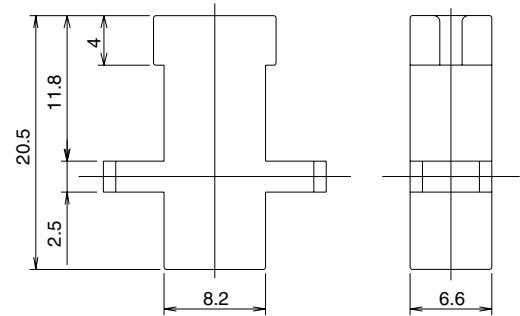
### ● Simplex Simplified Receptacle / Screw Panel Mounting



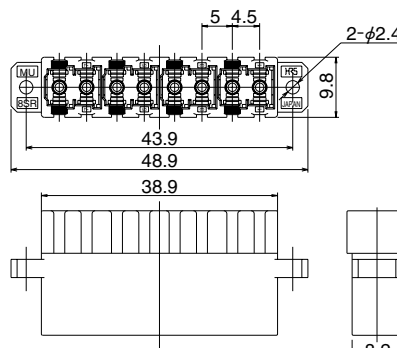
### ◆ Panel Cutout



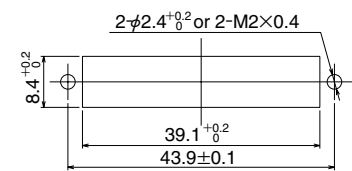
| Part Number | CL No.     | Split sleeve |
|-------------|------------|--------------|
| HMUA-SR-1   | 710-0094-9 | Zirconia     |
| HMUA-SR-B1  | 710-0182-4 | Copper alloy |



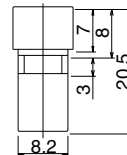
### ● 8-position Simplified Receptacle / Screw Panel Mounting



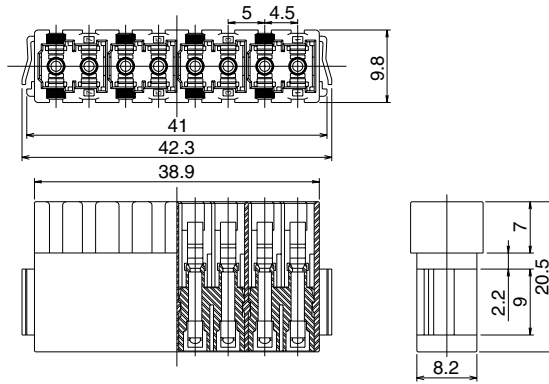
### ◆ Panel Cutout



| Part Number | CL No.     | Split sleeve |
|-------------|------------|--------------|
| HMUA-8SR-2  | 710-0172-0 | Zirconia     |
| HMUA-8SR-B2 | 710-0146-0 | Copper alloy |

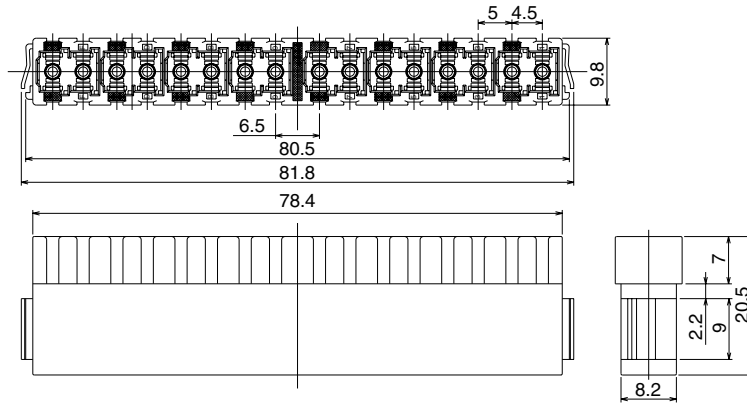
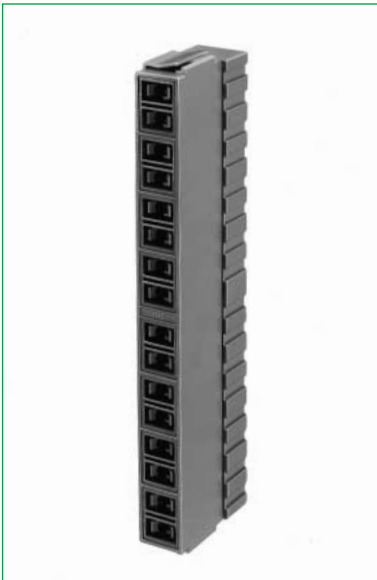


●8-position Simplified Receptacle - for extremely high density applications



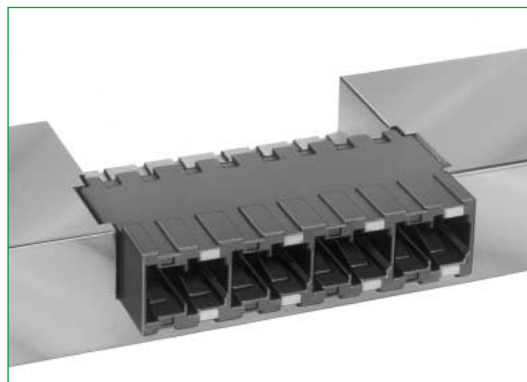
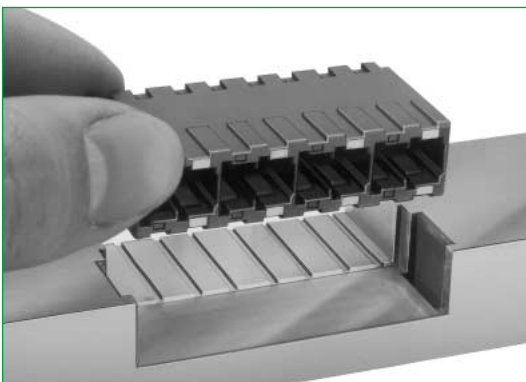
| Part Number | CL No.     | Split sleeve |
|-------------|------------|--------------|
| HMUA-8SR-3  | 710-0168-3 | Zirconia     |
| HMUA-8SR-B3 | 710-0117-2 | Copper alloy |

●16-Position Simplified Receptacle - for extremely high density applications



| Part Number  | CL No.     | Split sleeve |
|--------------|------------|--------------|
| HMUA-16SR-5  | 710-0173-3 | Zirconia     |
| HMUA-16SR-B5 | 710-0122-2 | Copper alloy |

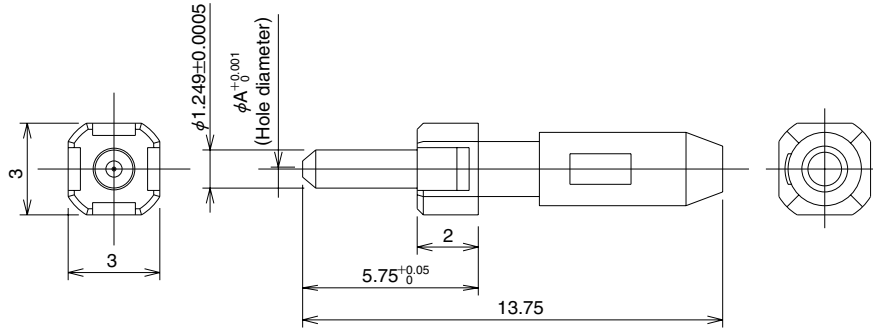
◆Mounting Example





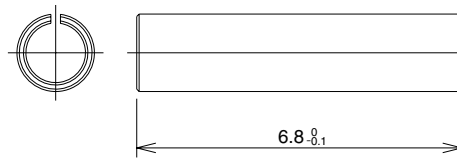
## ■Simplified Plug

●Simplex simplified Plug for 0.9mm fiber



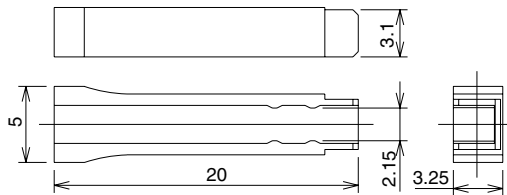
| Part Number       | CL No.        | A dimension | Ferrule  | Applicable Fiber cable |
|-------------------|---------------|-------------|----------|------------------------|
| HMUA-FK-A125(04)  | 710-0099-2-04 | 0.125       | Zirconia | SM, MM                 |
| HMUA-FK-A1255(04) | 710-0107-9-04 | 0.1255      |          |                        |
| HMUA-FK-A126(04)  | 710-0100-0-04 | 0.126       |          |                        |

## ■Split Sleeve



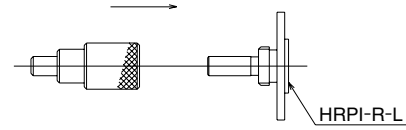
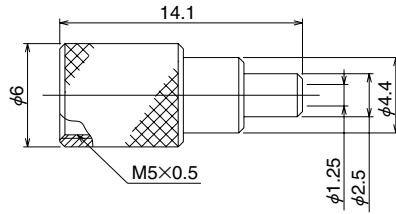
| Part Number          | CL No.        | Split sleeve |
|----------------------|---------------|--------------|
| HMUA-D(01)           | 710-0147-3-01 | Zirconia     |
| HMUA-SLIT-SLEEVE(01) | 710-0130-0-01 | Copper alloy |

## ■Extraction Tool for Simplified Plug



| Part Number | CL No.     |
|-------------|------------|
| HMUA-FK-T3  | 710-0148-6 |

## ■ Attachment for Simplex Receptacle



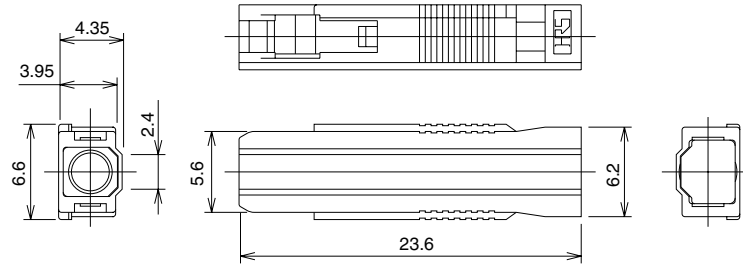
Insert straight the MU-RA type receptacle attachment and tighten the screw.

| Part Number | CL No.     |
|-------------|------------|
| HMUA-RA-1   | 710-0014-0 |

For optical power (or other measurements) join the Receptacle Attachment using the tool HRPI-R-L and attach to a sensor or measuring instrument.

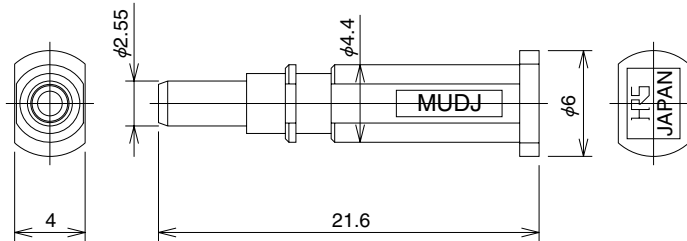
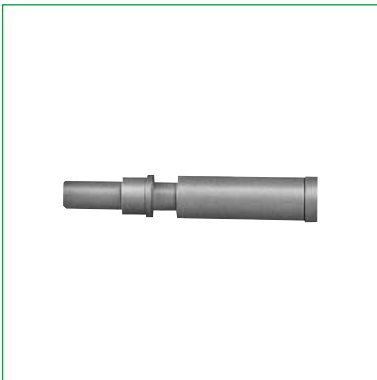
## ■ Dust Caps

### ● Dust Cap for Backpanel side connector housings



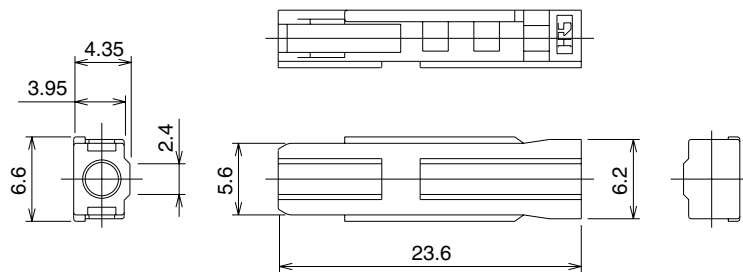
| Part Number | CL No.     | Applicable connector    |
|-------------|------------|-------------------------|
| HMUB-DP-1   | 710-0135-4 | Back panel side housing |

### ● Dust Cap for Package side connector housings



| Part Number | CL No.     | Applicable connector housing |
|-------------|------------|------------------------------|
| HMUB-DJ-1   | 710-0060-7 | HMUB-L2PA-1                  |
|             |            | HMUB-L8PA-1                  |

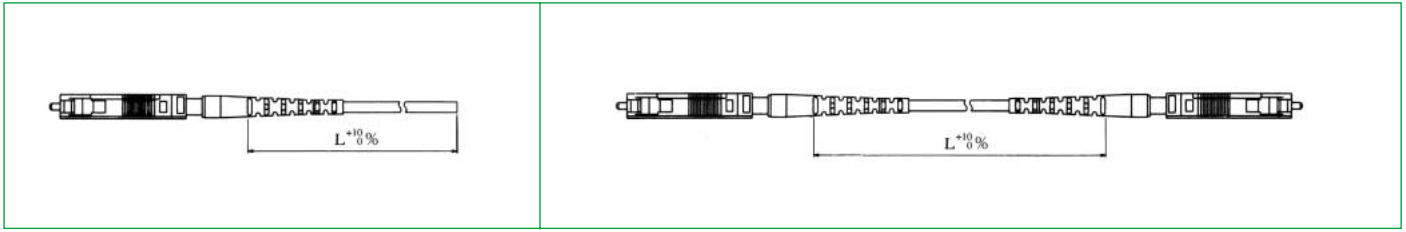
### ● Dust Cap for Adapters



| Part Number | CL No.     | Applicable connector           |
|-------------|------------|--------------------------------|
| HMUA-DP-2   | 710-0131-3 | Adapter, simplified receptacle |

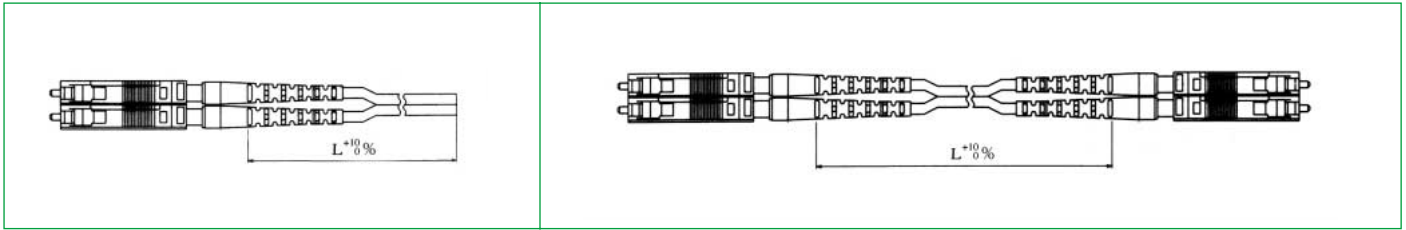
## ■ Cable assemblies

### ● Simplex Plug Cable assembly



| Part Number     | CL No.     | Connector Installation End | Applicable Fiber cable | Polishing type | Cable Diameter |
|-----------------|------------|----------------------------|------------------------|----------------|----------------|
| HMUA-ASP1-F3Q-L | 710-0028-4 | One end                    | SM-9.5/125             | AdPC           | φ2mm           |
| HMUA-ASP2-F3Q-L | 710-0029-7 | Both ends                  |                        |                |                |
| HMUA-ASP1-F3P-L | —          | One end                    | GI-50/125              |                |                |
| HMUA-ASP2-F3P-L | 710-0052-9 | Both ends                  |                        |                |                |

### ● Duplex Plug Cable assembly

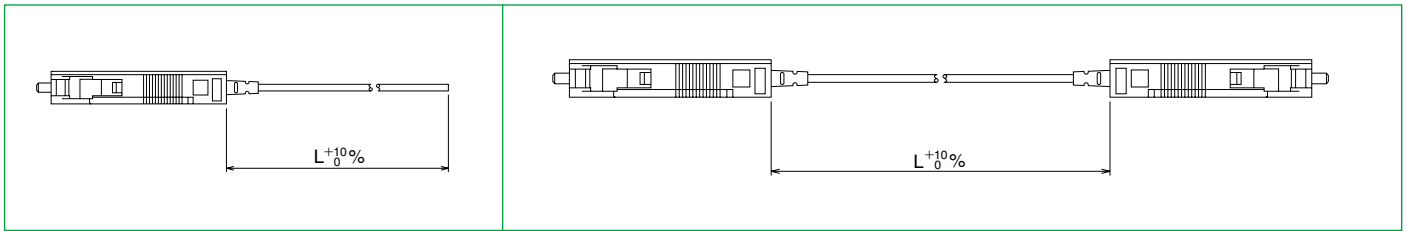


| Part Number       | CL No.     | Connector Installation End | Applicable Fiber cable | Polishing type | Cable Diameter |
|-------------------|------------|----------------------------|------------------------|----------------|----------------|
| HMUA-AS2P1-F3QW-L | —          | One end                    | SM-9.5/125             | AdPC           | φ2mm           |
| HMUA-AS2P2-F3QW-L | 710-0062-2 | Both ends                  |                        |                |                |
| HMUA-AS2P1-F3PW-L | —          | One end                    | GI-50/125              |                |                |
| HMUA-AS2P2-F3PW-L | 710-1019-9 | Both ends                  |                        |                |                |

Note 1: The "L" within the Part Number indicates the length of the cable illustrated the drawings. Please specify "L" in mm.

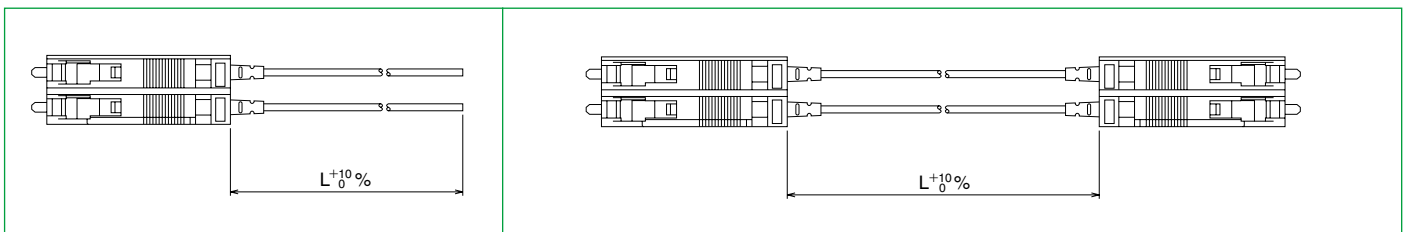
Note 2: Please contact HIROSE for other specifications.

## ● Simplex Plug Cable assembly



| Part Number      | CL No.     | Connector Installation End | Applicable Fiber cable | Polishing type | Cable Diameter |
|------------------|------------|----------------------------|------------------------|----------------|----------------|
| HMUA-ASPH1-F3L-L | 710-1051-1 | One end                    | SM-9.5/125             | AdPC           | φ0.9mm         |
| HMUA-ASPH2-F3L-L | 710-1052-4 | Both ends                  |                        |                |                |
| HMUA-ASPH1-F3M-L | 710-1053-7 | One end                    | GI-50/125              |                |                |
| HMUA-ASPH2-F3M-L | 710-1054-0 | Both ends                  |                        |                |                |

## ● Duplex Plug cable assembly

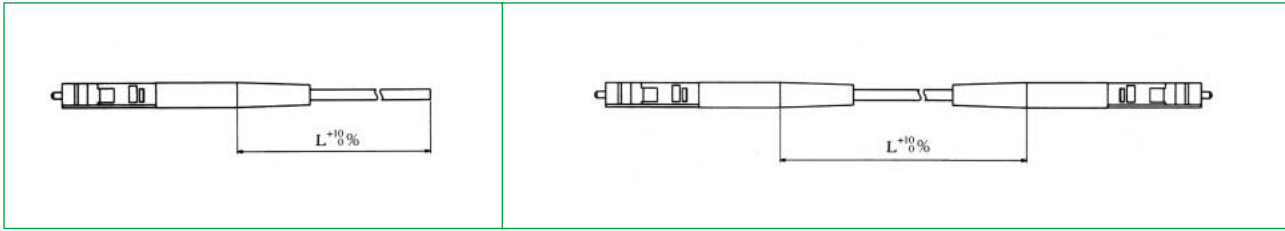


| Part Number       | CL No.     | Connector Installation End | Applicable Fiber cable | Polishing type | Cable Diameter |
|-------------------|------------|----------------------------|------------------------|----------------|----------------|
| HMUA-AS2PK1-F3L-L | 710-1055-2 | One end                    | SM-9.5/125             | AdPC           | φ0.9mm         |
| HMUA-AS2PK2-F3L-L | 710-1056-5 | Both ends                  |                        |                |                |
| HMUA-AS2PK1-F3M-L | 710-1057-8 | One end                    | GI-50/125              |                |                |
| HMUA-AS2PK2-F3M-L | 710-1058-0 | Both ends                  |                        |                |                |

Note 1: The "L" within the Part Number indicates the length of the cable illustrated the drawings. Please specify "L" in mm.

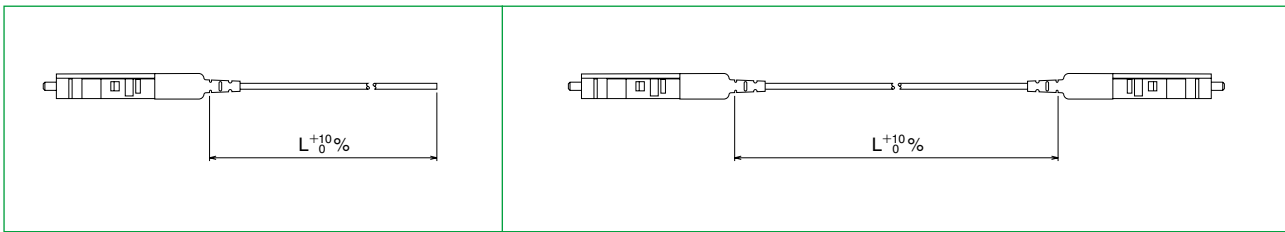
Note 2: Please contact HIROSE for other specifications.

## ●Simplex J Plug cable assembly



| Part Number      | CL No.     | Connector Installation End | Applicable Fiber cable | Polishing type | Cable Diameter |
|------------------|------------|----------------------------|------------------------|----------------|----------------|
| HMUAJ-ASP1-F3Q-L | 710-0040-0 | One end                    | SM-9.5/125             | AdPC           | φ2mm           |
| HMUAJ-ASP2-F3Q-L | 710-0041-2 | Both ends                  |                        |                |                |
| HMUAJ-ASP1-F3P-L | —          | One end                    | GI-50/125              |                |                |
| HMUAJ-ASP2-F3P-L | —          | Both ends                  |                        |                |                |

## ●Simplex J Plug cable assembly



| Part Number       | CL No.     | Connector Installation End | Applicable Fiber cable | Polishing type | Cable Diameter |
|-------------------|------------|----------------------------|------------------------|----------------|----------------|
| HMUAJ-ASPJ1-F3L-L | 710-1059-3 | One end                    | SM-9.5/125             | AdPC           | φ0.9mm         |
| HMUAJ-ASPJ2-F3L-L | 710-1060-2 | Both ends                  |                        |                |                |
| HMUAJ-ASPJ1-F3M-L | 710-1061-5 | One end                    | GI-50/125              |                |                |
| HMUAJ-ASPJ2-F3M-L | 710-1062-8 | Both ends                  |                        |                |                |

Note 1: The "L" within the Part Number indicates the length of the cable illustrated the drawings. Please specify "L" in mm.

Note 2: Please contact HIROSE for other specifications.

## ■Tools

### ●Insertion / Extraction Tool for Plug



| Part Number | CL No.     | Color of Tip | Remarks                   |
|-------------|------------|--------------|---------------------------|
| HMUA-TP-1   | 710-0074-1 | Blue         | For Conventional Adapters |
| HMUB-TP-1   | 710-0075-4 | Brown        | For MU Backplane system   |

### ●Insertion / Extraction Tool for Plug Cost effective type



| Part Number | CL No. |
|-------------|--------|
| HMU/HEMD-B  | —      |

### ●Extraction Tool for J Plug



| Part Number | CL No.     |
|-------------|------------|
| HMUB-TJ-1   | 710-0076-7 |

### ●Insertion / Extraction Tool for Sleeve Holder



| Part Number | CL No.     |
|-------------|------------|
| HMUB-TS-1   | 710-0077-0 |

## ●Crimp Tools



| Part Number | CL No. | Applicable plug housing |
|-------------|--------|-------------------------|
| HMUA-TK-1   | —      | HMUA-P2-H2,H1           |
|             |        | HMUA-2P2-H2,H1          |



| Part Number | CL No. | Applicable plug housing |
|-------------|--------|-------------------------|
| HMUA-TK-2   | —      | HMUAJ-P2-H2,H1          |

## ●Stop Ring Insertion Tool



| Part Number  | CL No.     | Applicable connector                 |
|--------------|------------|--------------------------------------|
| HMUA.J/PR-MD | 902-6019-8 | MU plug housings except HMUA-P1.1-H2 |