

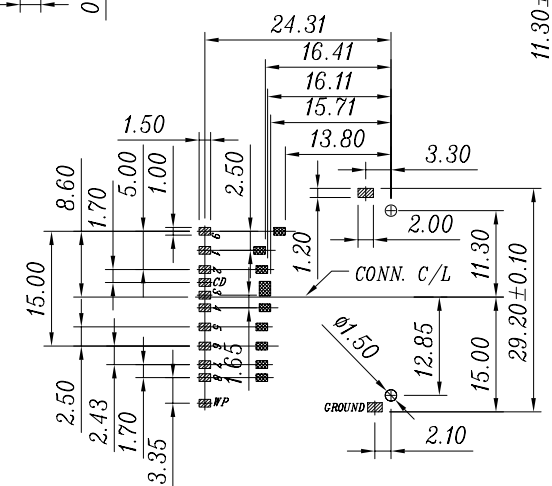
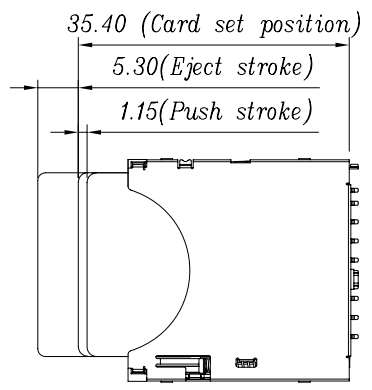
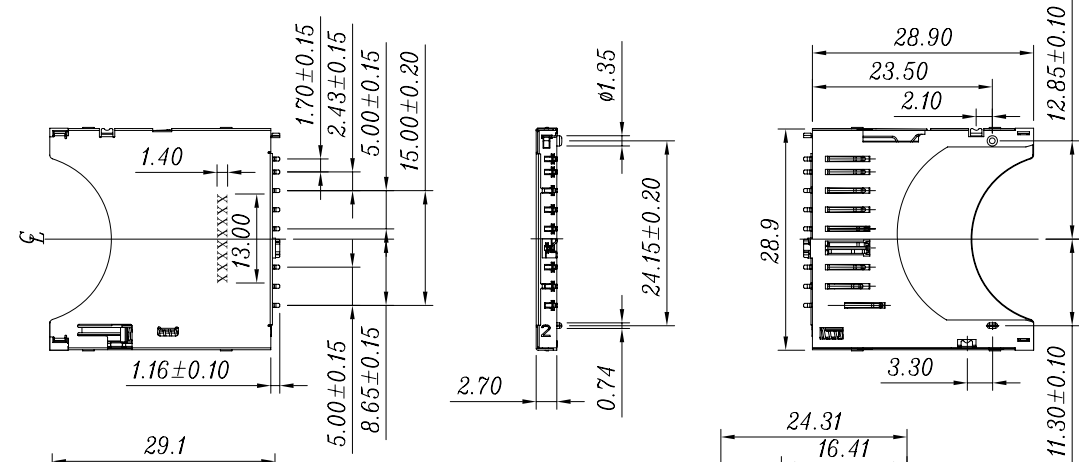
## 阅读申明

- 1.本站收集的数据手册和产品资料都来自互联网，版权归原作者所有。如读者和版权方有任何异议请及时告之，我们将妥善解决。
- 2.本站提供的中文数据手册是英文数据手册的中文翻译，其目的是协助用户阅读，该译文无法自动跟随原稿更新，同时也可能存在翻译上的不当。建议读者以英文原稿为参考以便获得更精准的信息。
- 3.本站提供的产品资料，来自厂商的技术支持或者使用者的心得体会等，其内容可能存在描述上的差异，建议读者做出适当判断。
- 4.如需与我们联系，请发邮件到marketing@iczoom.com，主题请标有“数据手册”字样。

## Read Statement

1. The datasheets and other product information on the site are all from network reference or other public materials, and the copyright belongs to the original author and original published source. If readers and copyright owners have any objections, please contact us and we will deal with it in a timely manner.
2. The Chinese datasheets provided on the website is a Chinese translation of the English datasheets. Its purpose is for reader's learning exchange only and do not involve commercial purposes. The translation cannot be automatically updated with the original manuscript, and there may also be improper translations. Readers are advised to use the English manuscript as a reference for more accurate information.
3. All product information provided on the website refer to solutions from manufacturers' technical support or users the contents may have differences in description, and readers are advised to take the original article as the standard.
4. If you have any questions, please contact us at marketing@iczoom.com and mark the subject with "Datasheets" .

REV.	ECN.NO.	MODIFY.CONTENT	DATE
B	ES.D0706.113	add date code	06/26/2007
C	ES.D0707.046	change material of shell	07/13/2007
D	ES.D0807.053	change specification	07/11/2008
E	ES.D0906.089	add halogen free spec	06/24/2009
F	ES.D0907.080	ADD TRACE KEEP OUT AREA	7/14/2009
G	ES.D0911.002	Cancel MMC PIN's definiens	11/2/2009



**RECOMMENDED PCB LAYOUT**  
 DEFAULT TOLERANCE: ±0.05  
 ▨ : RECOMMENDED SOLDER PAD AREA  
 ▩ : TRACE KEEP OUT AREA

Pin No.	SD
P1	SD-DAT3
P2	SD-CMD
P3	SD-VSS1
P4	SD-VDD
P5	SD-CLK
P6	SD-VSS2
P7	SD-DAT0
P8	SD-DAT1
P9	SD-DAT2

**SPECIFICATION**

**1. Material:**  
 Insulator: LCP, rated UL94V-0, color: black.  
 Contacts: Phosphor Bronze,  
 Tin 160u" at Solder Tail,  
 Selected Gold on Contact Area Plating.  
 Ground: Brass, Tin 160u".  
 Shell: Phosphor Bronze.

**2. Electrical Characteristics:**  
 Operating voltage : 250V(AC/DC).  
 Current rating : 0.5 A.  
 Operating Temperature: -40°C~+85°C.  
 Insulation resistance: 1000M ohms min. at 250VDC  
 Dielectric withstanding voltage: 500 VAC/1minute.  
 Contact resistance: 100m ohms max.  
 Mating cycle: 10000 cycles, spring is not breaking.

**THE PART NUMBER:**

10100 \*\*\* \*\* \* \*  
 313: RoHS  
 851: halogen free

contact area: 1u" Gold over 50u" Nickel, 64  
 SMT area: 160u" Tin over 50u" Nickel  
 contact area: 3u" Gold over 50u" Nickel, 65  
 SMT area: 160u" Tin over 50u" Nickel  
 contact area: 5u" Gold over 50u" Nickel, 66  
 SMT area: 160u" Tin over 50u" Nickel  
 contact area: 10u" Gold over 50u" Nickel, 67  
 SMT area: 160u" Tin over 50u" Nickel  
 contact area: 15u" Gold over 50u" Nickel, 68  
 SMT area: 160u" Tin over 50u" Nickel  
 contact area: 30u" Gold over 50u" Nickel, 69  
 SMT area: 160u" Tin over 50u" Nickel

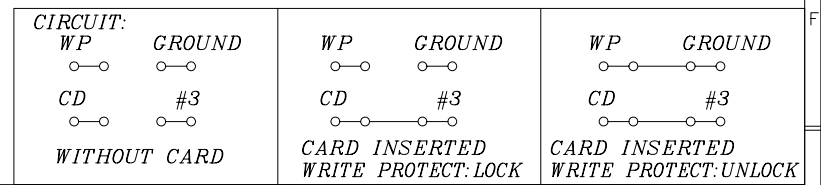
-default: Tray  
 1: Tube  
 2: Reel

-default: without D/C  
 #: with D/C

**DATE CODE:**  
 Line: A1, A2..... B1, B2..... Assembly line  
 Date: See table  
 Month: See table  
 Year: See table

**Code Table:**

Date	1	2	3	4	5	6	7	8	9	10	11	12	.....	27	28	29	30	31
Code	01	02	03	04	05	06	07	08	09	10	11	12	.....	27	28	29	30	31
Month	1	2	3	4	5	6	7	8	9	10	11	12						
Code	01	02	03	04	05	06	07	08	09	10	11	12						
Year	05	06	07	08	09	10	11	12	13	14	15							
Code	05	06	07	08	09	10	11	12	13	14	15							



GENERAL TOLERANCE		FILE.NO.	10100313	PART.NO.	SEE PART NUMBER	DRAWN	Iris.He	MATERIAL	SCALE	1:1	
X.±0.50	x.°±5°	REV.	G	TITLE	SD PUSH PUSH CONNECTOR(H=2.7mm)-1	CHECKED		DATE	2009/11/2	UNIT	mm
.X±0.38	.x°±2°	SIZE		SHEET	1/1	APPROVED		Amphenol Shouhmin Industry			
.XX±0.25	.xx±1°	A4									