

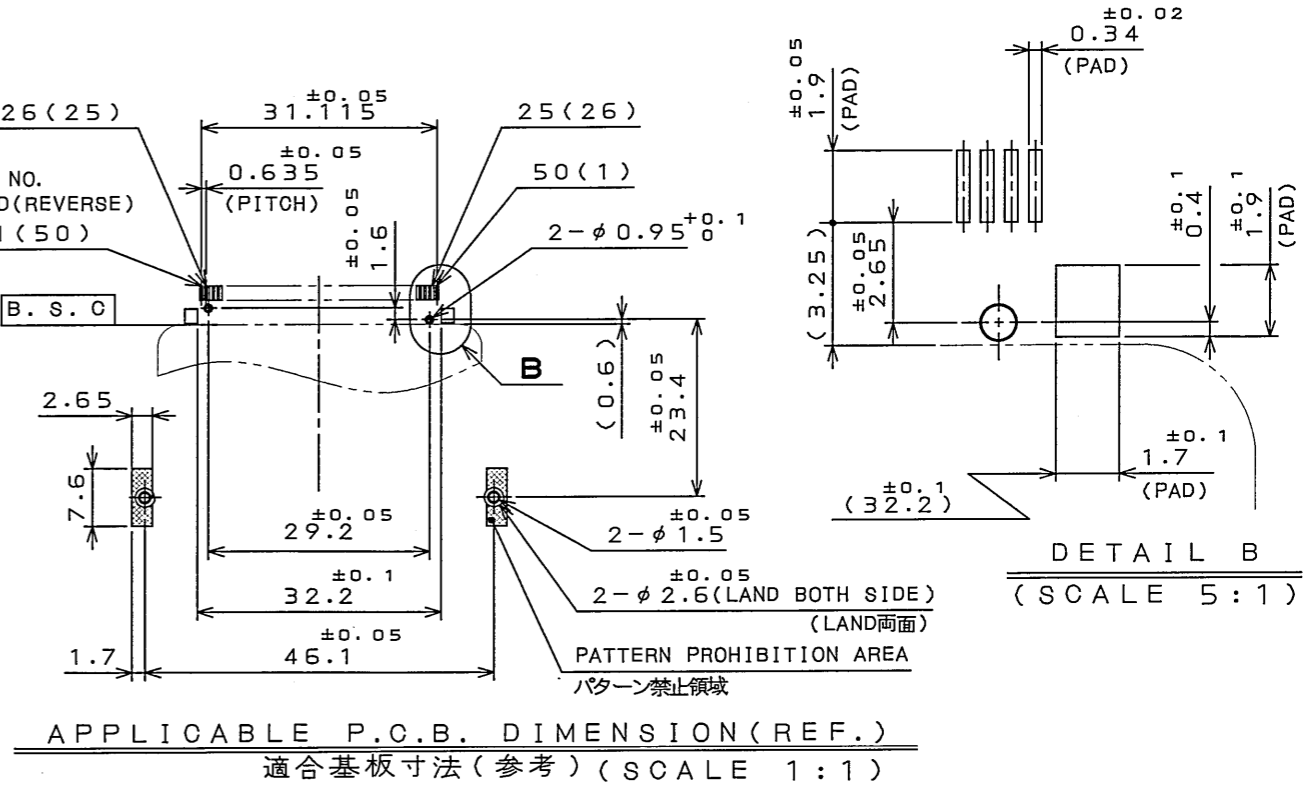
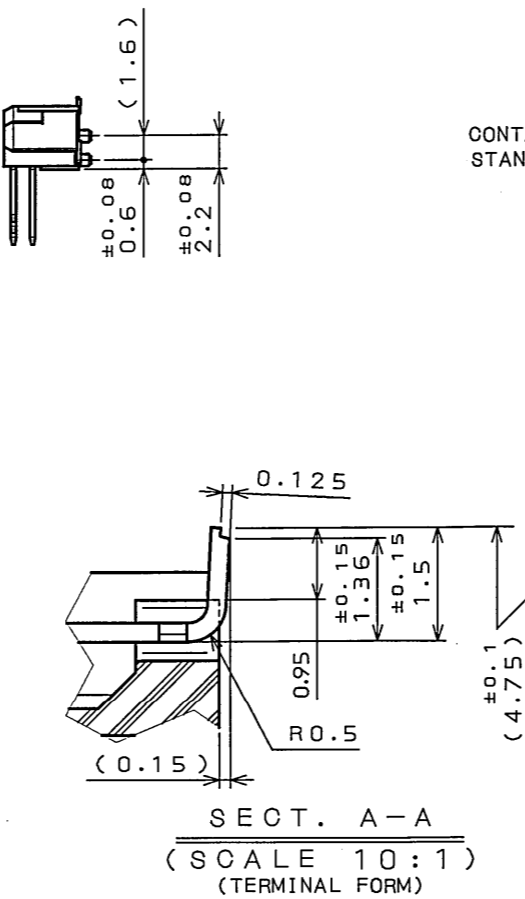
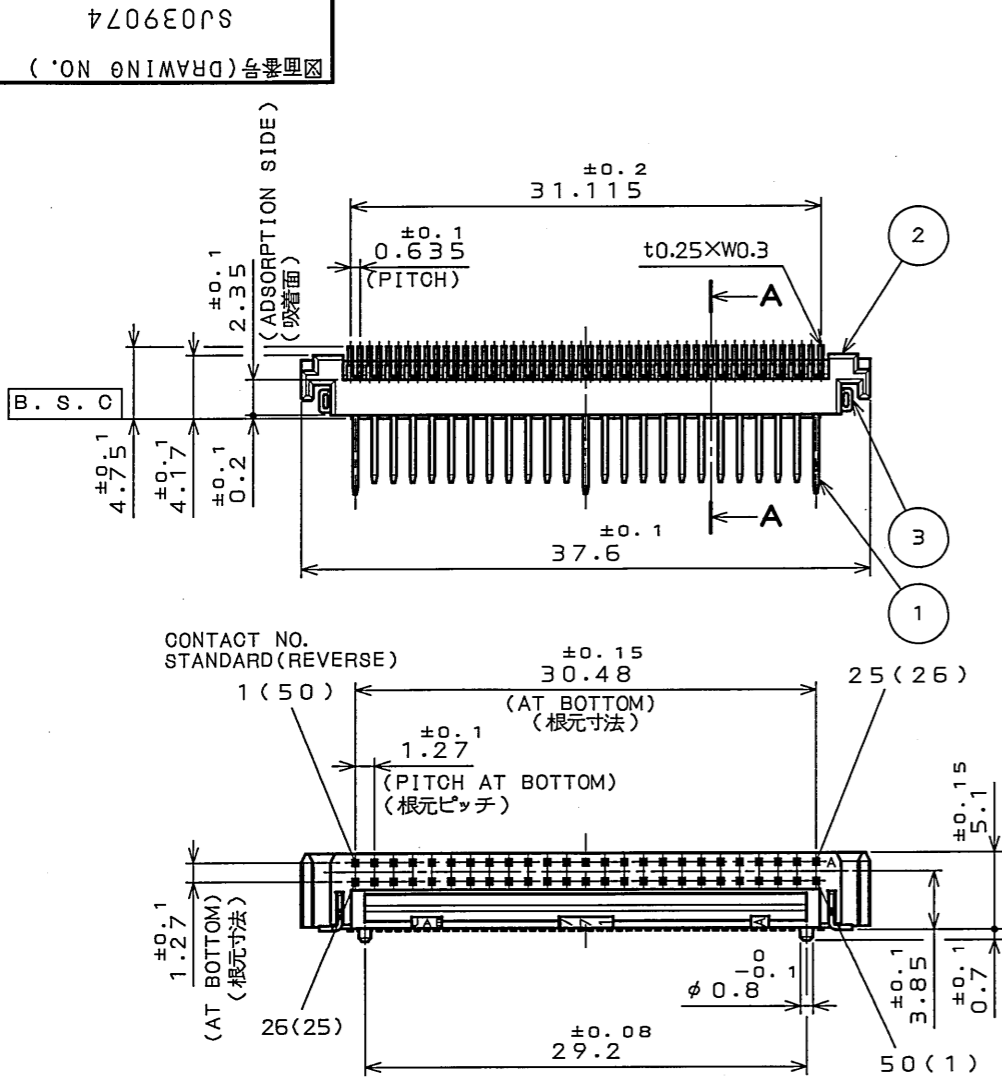
阅读申明

- 1.本站收集的数据手册和产品资料都来自互联网，版权归原作者所有。如读者和版权方有任何异议请及时告之，我们将妥善解决。
- 2.本站提供的中文数据手册是英文数据手册的中文翻译，其目的是协助用户阅读，该译文无法自动跟随原稿更新，同时也可能存在翻译上的不当。建议读者以英文原稿为参考以便获得更精准的信息。
- 3.本站提供的产品资料，来自厂商的技术支持或者使用者的心得体会等，其内容可能存在描述上的差异，建议读者做出适当判断。
- 4.如需与我们联系，请发邮件到marketing@iczoom.com，主题请标有“数据手册”字样。

Read Statement

1. The datasheets and other product information on the site are all from network reference or other public materials, and the copyright belongs to the original author and original published source. If readers and copyright owners have any objections, please contact us and we will deal with it in a timely manner.
2. The Chinese datasheets provided on the website is a Chinese translation of the English datasheets. Its purpose is for reader's learning exchange only and do not involve commercial purposes. The translation cannot be automatically updated with the original manuscript, and there may also be improper translations. Readers are advised to use the English manuscript as a reference for more accurate information.
3. All product information provided on the website refer to solutions from manufacturers' technical support or users the contents may have differences in description, and readers are advised to take the original article as the standard.
4. If you have any questions, please contact us at marketing@iczoom.com and mark the subject with "Datasheets" .

版数 REV.	年月日 DATE	DCN NO.	変更内容 DESCRIPTION	製図 DR.	担当 CHK.	査閲 APPD.	承認 APPD.
2	26.Aug.2004	055687	REVISED NOTE, ETC	H.KAMATA	T.WADA	M.Sasaki	A.Kimura



- NOTE 1. THIS PRODUCTS ARE DESIGNED IN ACCORDANCE WITH COMPACT FLASH ASSOCIATION.
 2. COPLANALITY OF SMT TERMINAL IS 0.1 MAX. (INCLUDE HOLD DOWN)
 3. PLEASE REFER TO TABLE 1 FOR TERMINAL LENGTH.
 4. PLEASE REFER TO TABLE 2 FOR CONTACT NUMBER.
 5. THIS CONNECTOR MATES WITH JC26A-F**16E OR JC26C*-**16E.
 6. PLEASE REFER TO JAHL-1504-8 FOR USING THIS PRODUCT.
1. 本品は、コンパクトフラッシュ アソシエーションに準拠する。
 2. 端子のパラッキ0.1以下。(ホールドダウンを含む)
 3. 端子長寸法は、表1を参照願います。
 4. 端子番号は、表2を参照して下さい。
 5. 本品は、JC26A-F**16EまたはJC26C*-**16Eと組み合わせて使用する。
 6. 本品を御使用時は、取扱説明書(JAHL-1504-8)を御参照下さい。

DESIGNATION
命名法

JC26A-BB16E

SERIES シリーズ
BASE ベース

(LEAD FREE)TIN/TIN ALLOY
錫又は、錫合金(無鉛)

POSITIONING BOSS TYPE 位置決めボス有無
B: WITH POSITIONING BOSS B: ボス有
N: WITHOUT POSITIONING BOSS N: ボス無

STAND-OFF CODE スタンドオフコード
NONE: 0mm 無: 0mm
16: 1.6mm 16: 1.6mm

TABLE 1

CONTACT NUMBER 端子番号	TERMINAL LENGTH 端子長(L)
1, 13, 38, 50	5 ± 0.1
25, 26	3.5 ± 0.1
OTHERS その他	4.25 ± 0.1

TABLE 2

MOUNTING SIDE 実装面	CONTACT NUMBER 端子番号	COUNTERPART FRAME 相手側フレーム
STANDARD スタンダード	1, 25, 26, 50	JC26A-FS*16E JC26C*-S*16E
REVERSE リバース	1, 25, 26, 50	JC26A-FR*16E JC26C*-R*16E

符号 NO.	名称 DESCRIPTION	個数 QTY.	材料 MATERIAL	仕上 FINISH	備考 REMARKS
3	HOLD DOWN	2	COPPER ALLOY	(LEAD FREE)TIN/TIN ALLOY PLATING	
2	INSULATOR	1	GLASS FILLED PPS		COLOR: IVORY UL94 V-0
1	CONTACT	50	COPPER ALLOY	CONTACT AREA: GOLD(0.1μm MIN.) OVER NICKEL	TERMINAL AREA: (LEAD FREE) TIN/TIN ALLOY OVER NICKEL

DOF-C-212E(03.08)

SIZE A3