

## 阅读申明

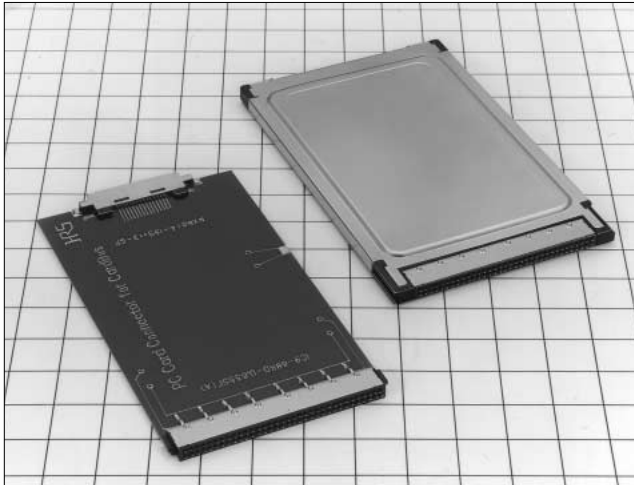
- 1.本站收集的数据手册和产品资料都来自互联网，版权归原作者所有。如读者和版权方有任何异议请及时告之，我们将妥善解决。
- 2.本站提供的中文数据手册是英文数据手册的中文翻译，其目的是协助用户阅读，该译文无法自动跟随原稿更新，同时也可能存在翻译上的不当。建议读者以英文原稿为参考以便获得更精准的信息。
- 3.本站提供的产品资料，来自厂商的技术支持或者使用者的心得体会等，其内容可能存在描述上的差异，建议读者做出适当判断。
- 4.如需与我们联系，请发邮件到marketing@iczoom.com，主题请标有“数据手册”字样。

## Read Statement

1. The datasheets and other product information on the site are all from network reference or other public materials, and the copyright belongs to the original author and original published source. If readers and copyright owners have any objections, please contact us and we will deal with it in a timely manner.
2. The Chinese datasheets provided on the website is a Chinese translation of the English datasheets. Its purpose is for reader's learning exchange only and do not involve commercial purposes. The translation cannot be automatically updated with the original manuscript, and there may also be improper translations. Readers are advised to use the English manuscript as a reference for more accurate information.
3. All product information provided on the website refer to solutions from manufacturers' technical support or users the contents may have differences in description, and readers are advised to take the original article as the standard.
4. If you have any questions, please contact us at marketing@iczoom.com and mark the subject with "Datasheets" .

# Card Bus Socket Connectors

## IC9 Series



### ■ Features

- 1. Compliant with PC Card Standards**  
Complies with latest requirements of PC Card Standard.
- 2. Repairable**  
Repairable terminations of connector solder joints after installation on the board.
- 3. Lead Offset**  
Available with two board mounting levels of terminations, to allow use of different height components.

### ■ Product Specifications

Ratings	Current rating	0.5 A	Operating temperature	-55°C to +85°C (Note 1)	Storage temperature	-10°C to +60°C (Note 2)
	Voltage rating	125 V AC	Operating humidity	95% R.H. or less (No condensation)	Storage humidity	40 to 70% (Note 2)

Item	Specification	Conditions
1. Insulation resistance	1000M ohms min.	500 V DC
2. Withstanding voltage	No flashover or insulation breakdown.	500 V AC / 1 minute
3. Contact resistance	40 mΩ max. (initial value)	1 mA
4. Vibration	No electrical discontinuity of 100ns or more	Frequency: 10 to 2000 Hz, single amplitude of 0.75 mm or acceleration of 147 m/s <sup>2</sup> (peak), 4 hours in each of the 3 directions.
5. Humidity (Steady state)	Insulation resistance: 100 MΩ min.	96 hours at temperature of 40°C and humidity of 90% to 95%
6. Temperature cycle	No damage, cracks, or parts looseness.	-55°C, 30 min → 15 to 30°C, within 5 min → 85°C 30 min → 15 to 35°C, within 5 min, for 5 cycles
7. Durability (Insertion/withdrawal)	Change of contact resistance from the start should be 20 mΩ max.	10000 cycles at 400 to 600 cycles per hour
8. Resistance to soldering heat	No deformation of components affecting performance.	Reflow: At the recommended temperature profile
		Manual soldering: 300°C for 3 seconds

Note 1: Includes temperature rise caused by current flow.

Note 2: The term "storage" refers to products stored for long period of time prior to mounting and use. Operating Temperature Range and Humidity range covers non- conducting condition of installed connectors in storage, shipment or during transportation.

### ■ Materials

Part	Material	Finish	Notes
Insulator	PA	Black	UL94V-0
Contact	Phosphor bronze	Contact Area : gold plating Lead Area : solder plating	—
Ground plate	Brass	Contact Area : gold plating Lead Area : solder plating	—

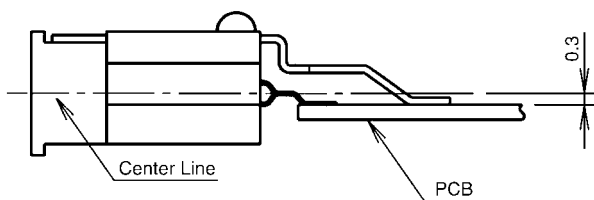
## ■ Ordering Information

**IC9** - **68** **R** **D** - **0.635** **SFA**  
1   
2   
3   
4   
5   
6

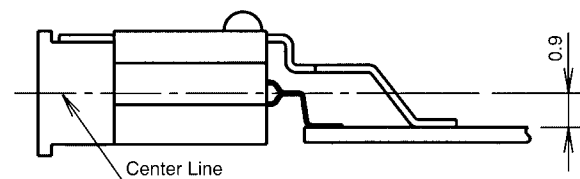
①	Series name : IC9
②	Number of contacts : 68
③	R : card connector
④	D : 2-row alignment
⑤	Lead pitch : 0.635 mm
⑥	Offset type SF : 0.3 mm offset SFA : 0.9 mm offset

### ◆ Lead Offset

#### ● Type with 0.3 mm offset

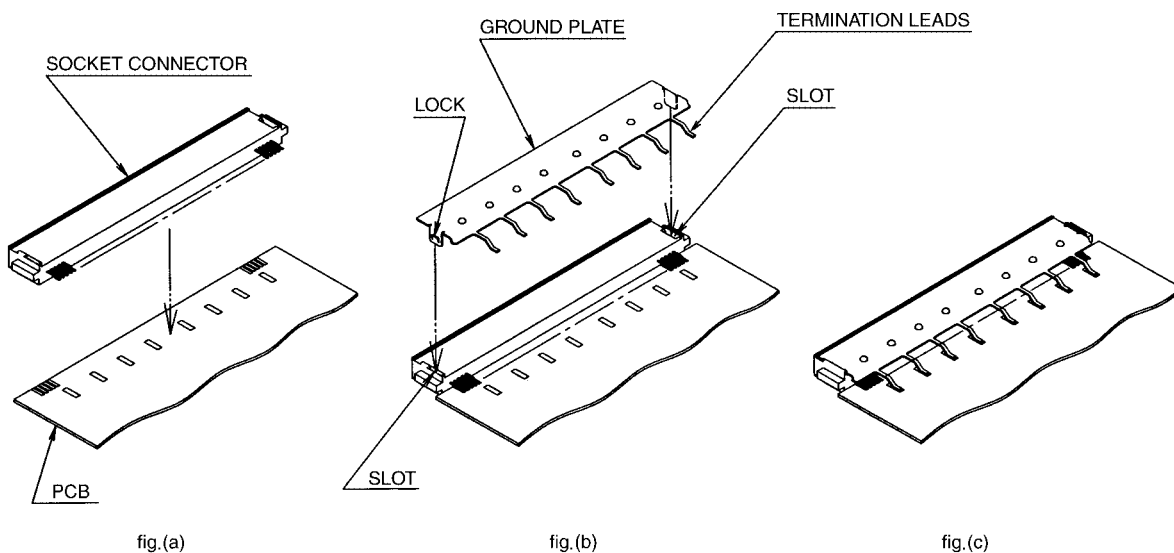


#### ● Type with 0.9 mm offset

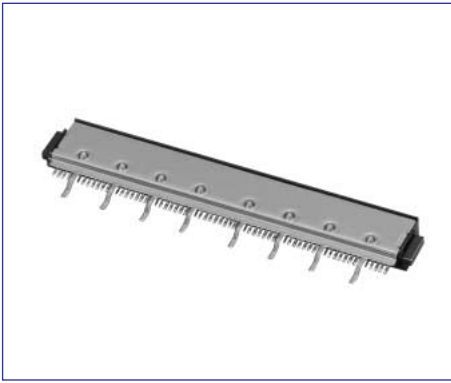


### ◆ Mounting Method

1. Place and solder the connector without the ground plate as shown in fig.(a).
2. Place the ground plate over the connector as shown in Fig.(b), making sure that the locking tabs are correctly aligned with the slots on both sides of the insulator. Press firmly at both ends to assure secure lock.  
Note: Care should be taken that the termination leads of the ground plate are not deformed or damaged during this operation.
3. Solder the termination leads of the ground plate to the board.

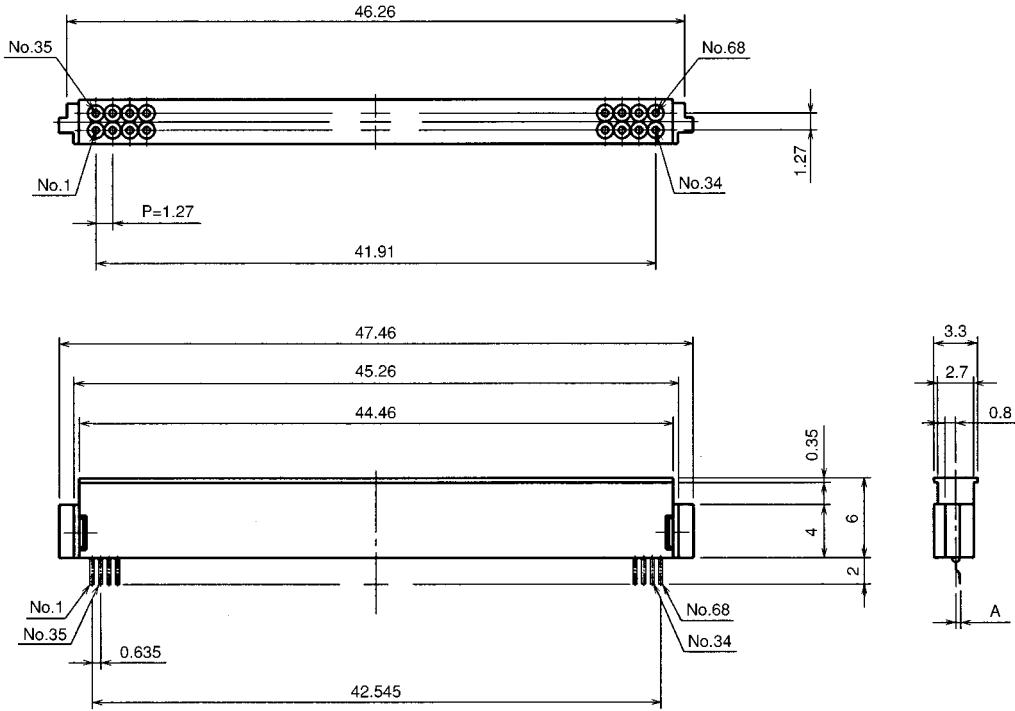


# ■ Card Connectors

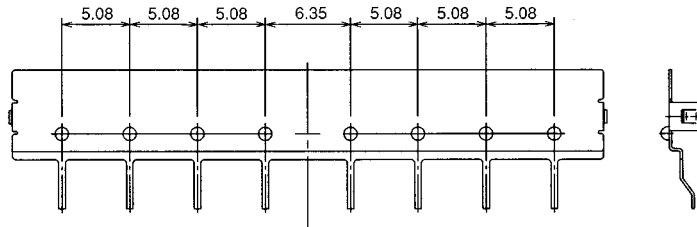


Part Number	CL No.	A
IC9-68RD-0.635SF	640-0901-2	0.3
IC9-68RD-0.635SFA	640-0902-5	0.9

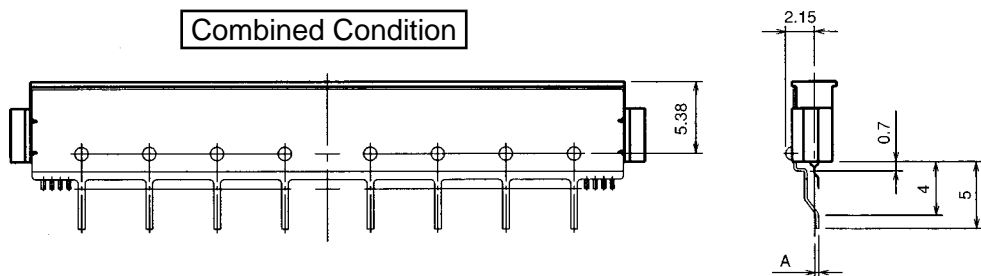
## Socket Connector



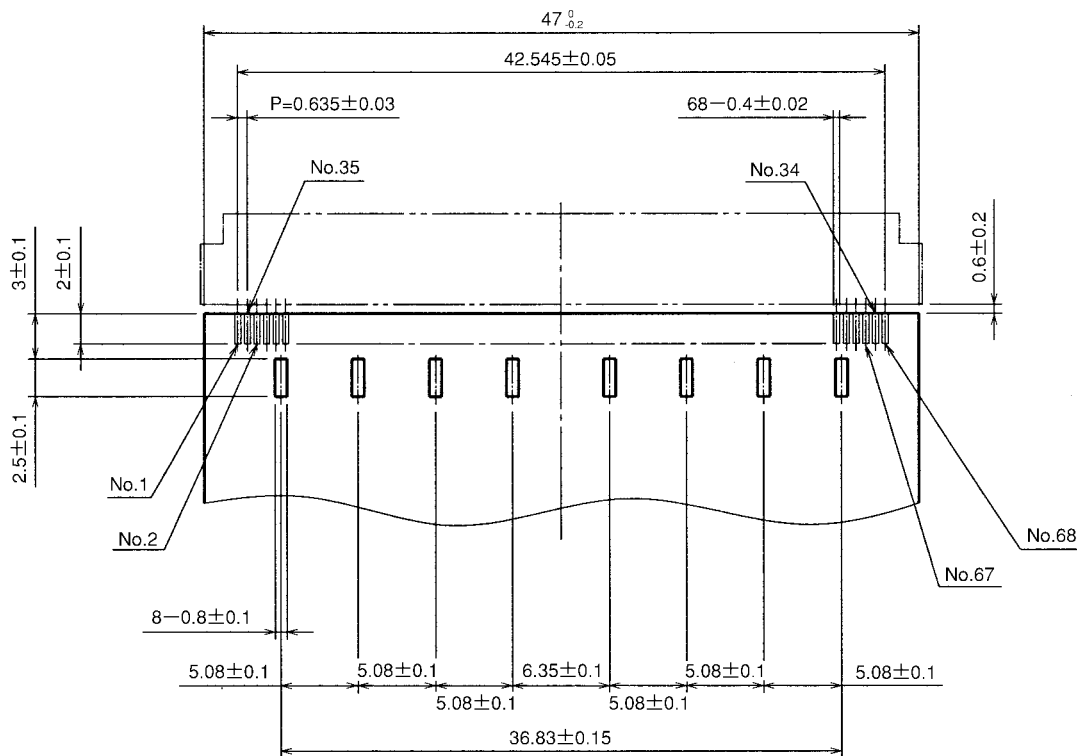
## Ground Plate



## Combined Condition

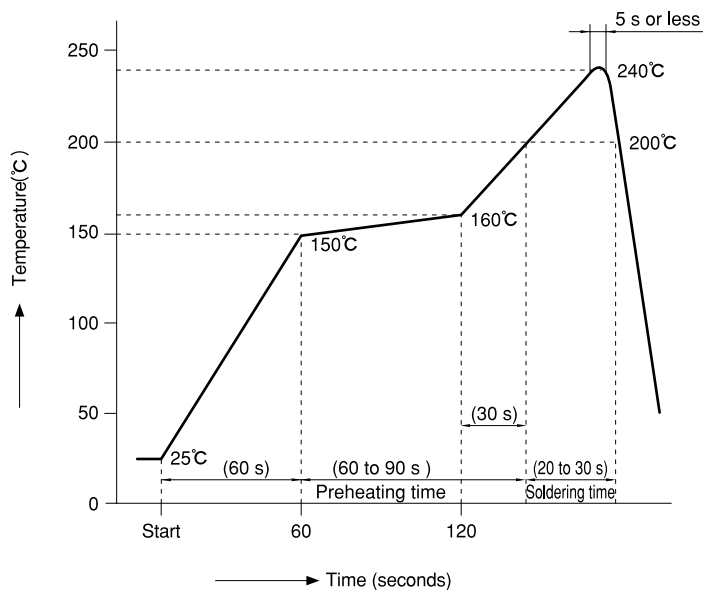


## ◆PCB mounting pattern



● Recommended board thickness 0.4 to 0.5mm

## ◆Temperature Profile



### Applicable Conditions

Reflow system : IR reflow

Solder : Paste type 63 Sn/37 Pb  
(Flux content 9 wt%)

Test board Glass epoxy 60mm x 60mm x 1.6 mm

Metal mask thickness: 0.15 mm

Recommended temperature profile.

The temperature may be slightly changed according to the solder paste type and amount.