


阅读申明

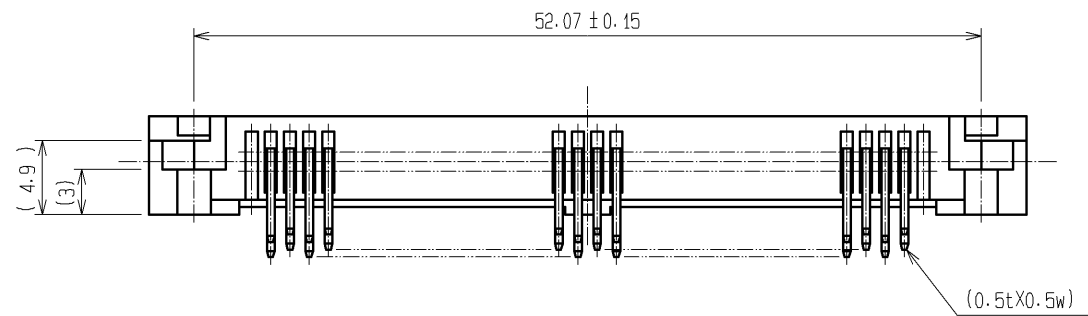
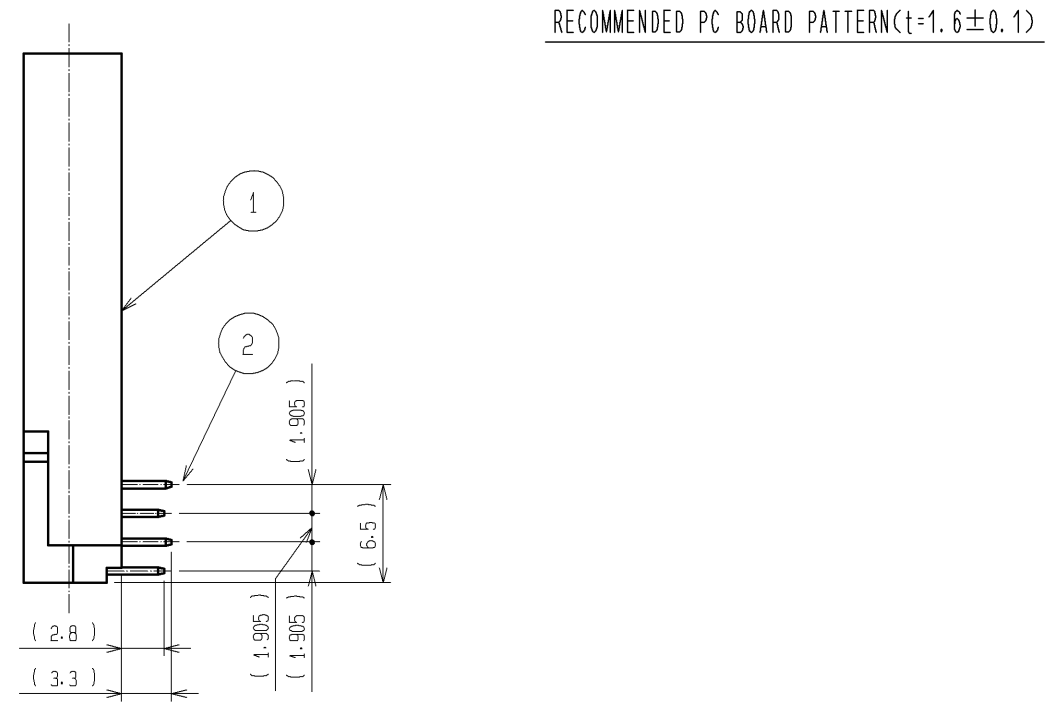
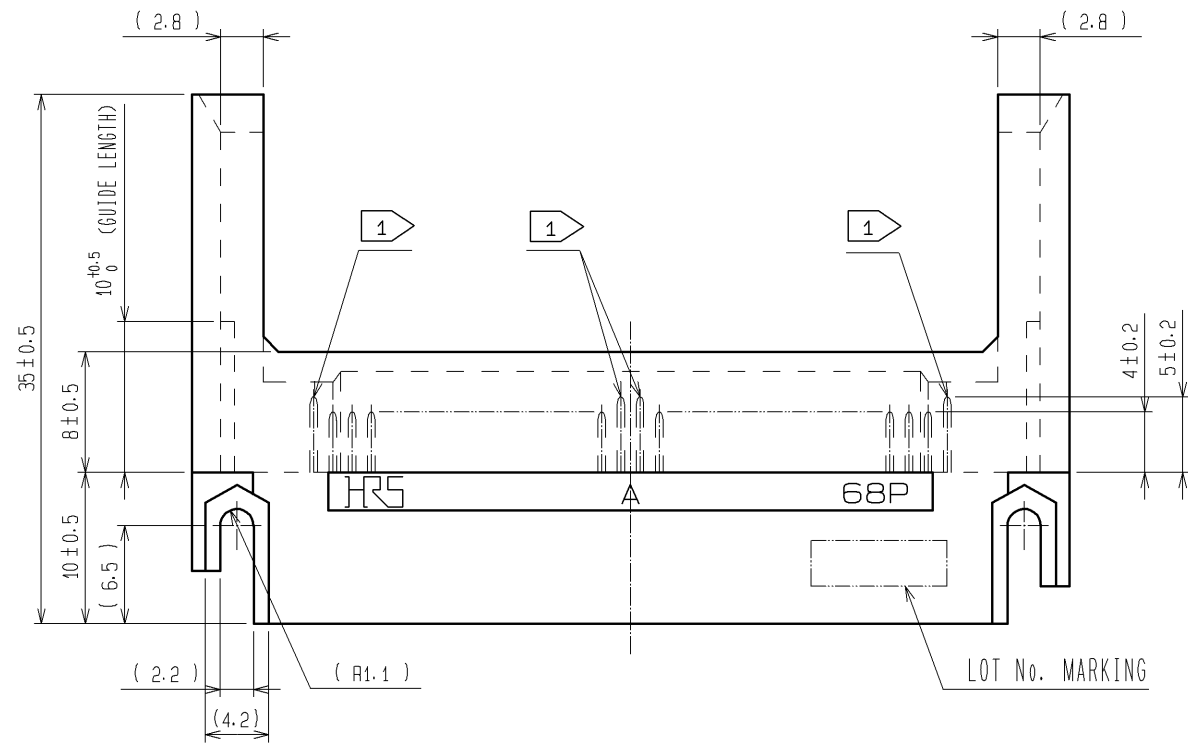
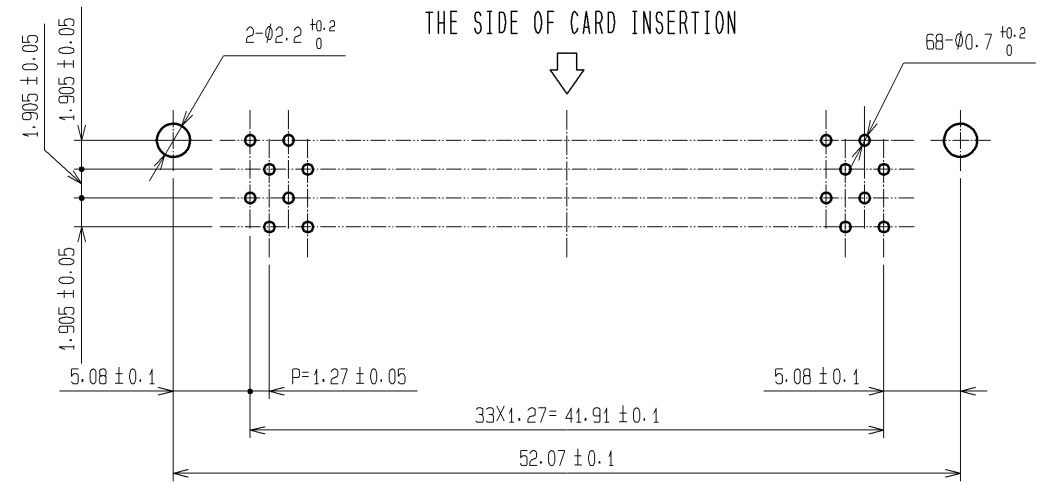
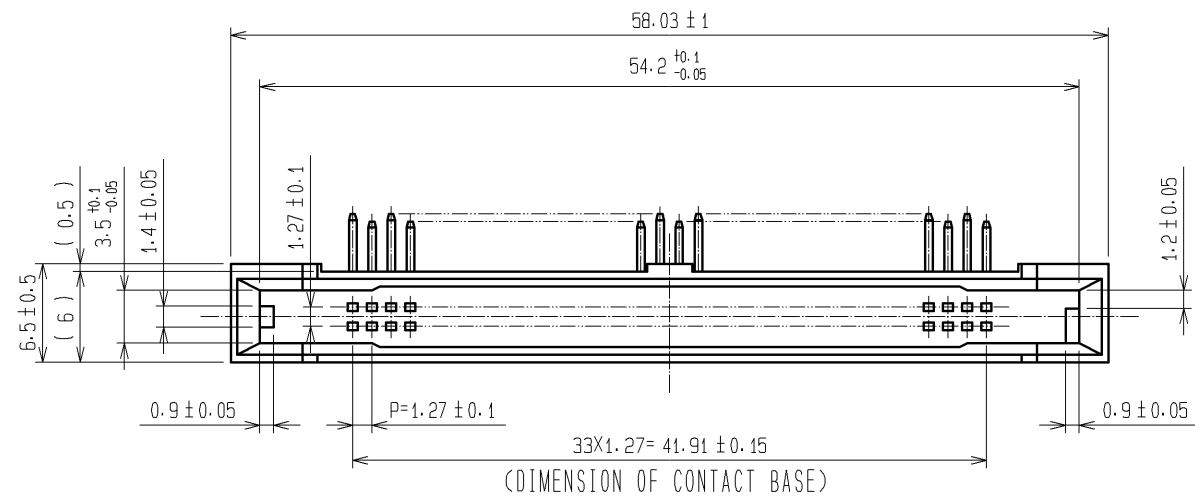
- 1.本站收集的数据手册和产品资料都来自互联网，版权归原作者所有。如读者和版权方有任何异议请及时告之，我们将妥善解决。
- 2.本站提供的中文数据手册是英文数据手册的中文翻译，其目的是协助用户阅读，该译文无法自动跟随原稿更新，同时也可能存在翻译上的不当。建议读者以英文原稿为参考以便获得更精准的信息。
- 3.本站提供的产品资料，来自厂商的技术支持或者使用者的心得体会等，其内容可能存在描述上的差异，建议读者做出适当判断。
- 4.如需与我们联系，请发邮件到marketing@iczoom.com，主题请标有“数据手册”字样。

Read Statement

1. The datasheets and other product information on the site are all from network reference or other public materials, and the copyright belongs to the original author and original published source. If readers and copyright owners have any objections, please contact us and we will deal with it in a timely manner.
2. The Chinese datasheets provided on the website is a Chinese translation of the English datasheets. Its purpose is for reader's learning exchange only and do not involve commercial purposes. The translation cannot be automatically updated with the original manuscript, and there may also be improper translations. Readers are advised to use the English manuscript as a reference for more accurate information.
3. All product information provided on the website refer to solutions from manufacturers' technical support or users the contents may have differences in description, and readers are advised to take the original article as the standard.
4. If you have any questions, please contact us at marketing@iczoom.com and mark the subject with "Datasheets" .

APPLICABLE STANDARD		PC Card Standard				
RATING	OPERATING TEMPERATURE RANGE	-55 °C TO +85 °C		STORAGE TEMPERATURE RANGE	-40 °C TO +70 °C	
	VOLTAGE	1~68: AC 125V		OPERATING HUMIDITY RANGE	95%MAXIMUM (NON-CONDENSING)	
	CURRENT	1~68: 0.5A				
SPECIFICATIONS						
ITEM		TEST METHOD		REQUIREMENTS	QT	AT
CONSTRUCTION						
GENERAL EXAMINATION		VISUALLY AND BY MEASURING INSTRUMENT.		ACCORDING TO DRAWING.	X	X
MARKING		CONFIRMED VISUALLY.			X	X
ELECTRIC CHARACTERISTICS						
CONTACT RESISTANCE (LOW LEVEL) [MIL-STD-1344A] METHOD 3002.1		OPEN VOLTAGE 20 mV AC MAX, TEST CURRENT 1mA.		INITIALLY 40mΩ MAXIMUM.	X	-
WITHSTANDING VOLTAGE METHOD 301		500 Vrms AC IS APPLIED FOR 1 MINUTE.		NO SHORTING OR OTHER DAMAGES.	X	-
INSULATION RESISTANCE METHOD 302		MEASURE WITHIN 1 MINUTE AFTER APPLYING 500 V DC.		INITIALLY 1000 MΩ MINIMUM.	X	-
MECHANICAL CHARACTERISTICS						
TOTAL INSERTION FORCE		MEASURED BY APPLICABLE CONNECTOR.		39.2 N MAXIMUM	X	-
TOTAL PULLING FORCE				6.67 N MINIMUM AND 39.2 N MAXIMUM.	X	-
MECHANICAL OPERATION [OFFICE ENVIRONMENT]		10000 TIMES INSERTIONS AND WITH DRAWAL SHALL BE MADE AT THE CYCLE RATE 400 TO 600 CYCLES/h.		① CONTACT RESISTANCE :AFTER TEST 20 mΩ MAXIMUM CHANGE. ② NO MECHANICAL DAMAGE SHALL OCCUR ON THE PARTS.	X	-
VIBRATION AND HIGH FREQUENCY METHOD 204D		FREQUENCY 10 TO 2000 Hz, AMPLITUDE 1.52 mm, 147 m/s ² PEAK FOR 4 h, IN 3 DIRECTIONS.		① MUST NOT CAUSE CURRENT INTERRUPTION GREATER THAN 100 ns. ② NO MECHANICAL DAMAGE SHALL OCCUR ON THE PARTS.	X	-
SHOCK METHOD 213B		ACCELERATION 490 m/s ² STANDARD HOLDING TIME 11 ms, SEMI-SINE WAVE FOR 3TIMES IN 3 DIRECTION.		① MUST NOT CAUSE CURRENT INTERRUPTION GREATER THAN 100 ns. ② NO MECHANICAL DAMAGE SHALL OCCUR ON THE PARTS.	X	-
ENVIRONMENTAL CHARACTERISTICS						
MOISTURE RESISTANCE METHOD 106E		10 CYCLES (1 CYCLE=24 HOURS)WITH CONNECTORS ENGAGED. AFTER THE TEST,THE TEST SAMPLE SHALL BE LEFT AT THE AMBIENT TEMP. FOR 1 TO 2 HOURS.		① CONTACT RESISTANCE :AFTER TEST 20 mΩ MAXIMUM CHANGE. ② INSULATION RESISTANCE :AFTER TEST 100 MΩ MINIMUM. ③ NO HEAVY CORROSION.	X	-
THERMAL SHOCK METHOD 107G		TEMPERATURE -55→+5 TO 35→+85→+5 TO 35 °C TIME 30 → 5 MAX → 30 → 5MAXmin. UNDER 5 CYCLES WITH CONNECTORS ENGAGED. AFTER THE TEST,THE TEST SAMPLE SHALL BE LEFT AT THE AMBIENT TEMP. FOR 1 TO 2 HOURS.		① CONTACT RESISTANCE :AFTER TEST 20 mΩ MAXIMUM CHANGE. ② INSULATION RESISTANCE :AFTER TEST 100 MΩ MINIMUM. ③ NO PHYSICAL DAMAGE SHALL OCCUR DURING TESTING.	X	-
	COUNT	DESCRIPTION OF REVISIONS	DESIGNED	CHECKED	DATE	
REMARK				APPROVED	KI. AKIYAMA	08.10.28
				CHECKED	SI. TOMIOKA	08.10.28
				DESIGNED	NH. SUGITA	08.10.28
Unless otherwise specified, refer to MIL-STD-202F.				DRAWN	NH. TAMAI	08.10.27
Note QT:Qualification Test AT:Assurance Test X:Applicable Test			DRAWING NO.		ELG4-020579-01	
	SPECIFICATION SHEET		PART NO.	IC1-68PD-1. 27DS (72)		
	HIROSE ELECTRIC CO., LTD.		CODE NO.	CL640-0002-4-72		1/2

SPECIFICATIONS					
ITEM	TEST METHOD	REQUIREMENTS	QT	AT	
DURABILITY (HIGH TEMPERATURE) METHOD 108A	EXPOSED AT 85 °C, 250 HOURS WITH CONNECTORS ENGAGED. AFTER THE TEST, THE TEST SAMPLE SHALL BE LEFT AT THE AMBIENT TEMP. FOR 1 TO 2 HOURS.	① CONTACT RESISTANCE :AFTER TEST 20 mΩ MAXIMUM CHANGE. ② NO PHYSICAL DAMAGE SHALL OCCUR DURING TESTING.	X	—	
COLD RESISTANCE [JIS C 0020]	EXPOSED AT -55 °C, 96 HOURS WITH CONNECTORS ENGAGED. AFTER THE TEST, THE TEST SAMPLE SHALL BE LEFT AT THE AMBIENT TEMP. FOR 1 TO 2 HOURS.	① CONTACT RESISTANCE :AFTER TEST 20 mΩ MAXIMUM CHANGE. ② NO PHYSICAL DAMAGE SHALL OCCUR DURING TESTING.	X	—	
HUMIDITY (NORMAL CONDITION) METHOD 103B	EXPOSED AT 40±2 °C, 90 TO 95 % RH 96 HOURS WITH CONNECTORS ENGAGED. AFTER THE TEST, THE TEST SAMPLE SHALL BE LEFT AT THE AMBIENT TEMP. FOR 1 TO 2 HOURS.	① CONTACT RESISTANCE :AFTER TEST 20 mΩ MAXIMUM CHANGE. ② INSULATION RESISTANCE :AFTER TEST 100 MΩ MINIMUM. ③ NO PHYSICAL DAMAGE SHALL OCCUR DURING TESTING.	X	—	
HYDROGEN SULPHIDE [JEIDA-38]	EXPOSED IN 3 PPM HYDROGEN SULFIDE, 40±2°C, APPROX.80% RH, 96 HOURS, WITH CONNECTORS ENGAGED. AFTER THE TEST, THE TEST SAMPLE SHALL BE LEFT AT THE AMBIENT TEMP. FOR 1 TO 2 HOURS.	① CONTACT RESISTANCE :AFTER TEST 20 mΩ MAXIMUM CHANGE. ② NO HEAVY CORROSION	X	—	
CORROSION SALT MIST METHOD 101D	EXPOSED IN 5±1 % SALT WATER SPRAY, 35±2°C, 48 HOURS, WITH CONNECTORS ENGAGED. AFTER THE TEST, THE TEST SAMPLE SHALL BE RINSED WITH WATER AND DRIED AT THE AMBIENT TEMP. FOR 24 HOURS.	NO HEAVY CORROSION.	X	—	
Note QT:Qualification Test AT:Assurance Test X:Applicable Test			DRAWING NO.		ELC4-020579-01
HRS	SPECIFICATION SHEET		PART NO.	IC1-68PD-1. 27DS (72)	
	HIROSE ELECTRIC CO., LTD.		CODE NO	CL640-0002-4-72	 2/2



NOTE 1 THERE ARE TOTAL NUMBER OF 8 SEQUENCE CONTACTS, PLACED AT THE BOTH ENDS AND THE CENTER.

2	BRASS	CONTACT AREA: Ni2.5 μ m+Au0.2 μ m
		DIP AREA: Ni2.5 μ m+Sn2 μ m
1	PBT	BLACK UL94V-0
NO.	MATERIAL	FINISH . REMARKS

UNITS mm		SCALE 2 : 1	COUNT \triangle	DESCRIPTION OF REVISIONS	DESIGNED	CHECKED	DATE
APPROVED : KI. AKIYAMA 08.10.28				DRAWING NO. EDC3-020579-01			
CHECKED : SI. TOMIOKA 08.10.28				PART NO. IC1-68PD-1.27DS(72)			
DESIGNED : NH. SUGITA 08.10.28				CODE NO. CL640-0002-4-72			
DRAWN : NH. TAMAI 08.10.27				\triangle 1/1			