

阅读申明

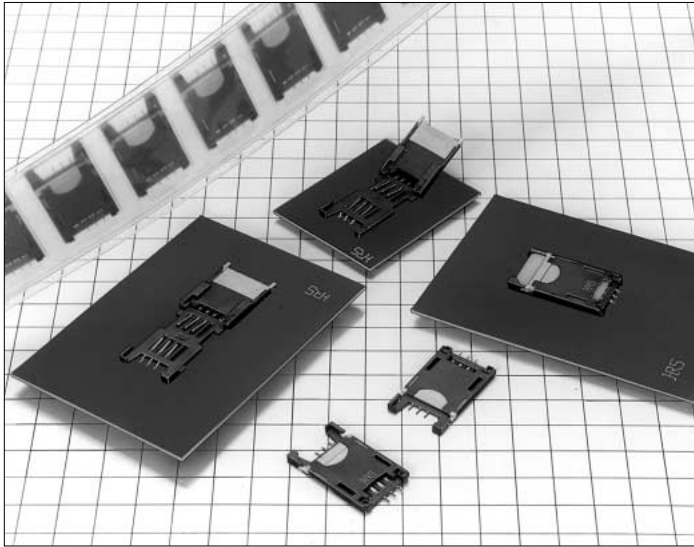
- 1.本站收集的数据手册和产品资料都来自互联网，版权归原作者所有。如读者和版权方有任何异议请及时告之，我们将妥善解决。
- 2.本站提供的中文数据手册是英文数据手册的中文翻译，其目的是协助用户阅读，该译文无法自动跟随原稿更新，同时也可能存在翻译上的不当。建议读者以英文原稿为参考以便获得更精准的信息。
- 3.本站提供的产品资料，来自厂商的技术支持或者使用者的心得体会等，其内容可能存在描述上的差异，建议读者做出适当判断。
- 4.如需与我们联系，请发邮件到marketing@iczoom.com，主题请标有“数据手册”字样。

Read Statement

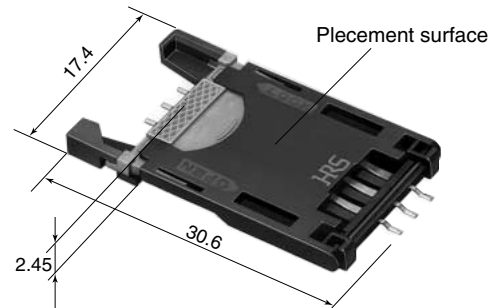
1. The datasheets and other product information on the site are all from network reference or other public materials, and the copyright belongs to the original author and original published source. If readers and copyright owners have any objections, please contact us and we will deal with it in a timely manner.
2. The Chinese datasheets provided on the website is a Chinese translation of the English datasheets. Its purpose is for reader's learning exchange only and do not involve commercial purposes. The translation cannot be automatically updated with the original manuscript, and there may also be improper translations. Readers are advised to use the English manuscript as a reference for more accurate information.
3. All product information provided on the website refer to solutions from manufacturers' technical support or users the contents may have differences in description, and readers are advised to take the original article as the standard.
4. If you have any questions, please contact us at marketing@iczoom.com and mark the subject with "Datasheets" .

SIM Card Sockets

ID1A Series



Miniature and Thin



Photograph (1)

■ Features

1. Suited for Plug-in SIM Cards of the GSM Standard (11.11)

In Europe, SIM card Subscriber Identity Modules are used for subscriber identification with portable telephone terminals of the GSM system for which standards have been unified. The ID1A Series of sockets are suited for use with GSM standard (11.11) plug-in SIM cards.

2. Miniature and Thin

These sockets are miniature and thin with a height of 2.45 mm, length of 30.6 mm, and width of 17.4 mm. The weight has been reduced by 30% compared with our existing products. (See Photograph (1).)

3. Suited to Automatic Mounting

The board mounting method is of the surface mount type. In addition to the standard tray packaging specification, an embossed tape specification suited to automatic mounting is also available.

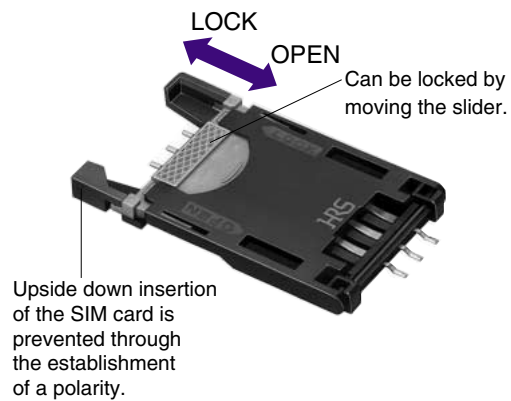
4. Prevention of Incorrect Insertion to the Board

A board-positioning boss prevents incorrect insertion to the board by means of boss position and boss diameter.

5. Slide Lock System

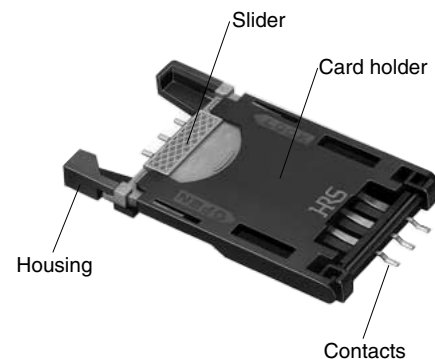
An original lock structure securely holds the SIM card and easy opening and closing of the card holder is another feature. (See Photograph (2).)

Slide Lock System



Photograph (2)

Structure and Names of the Parts



Photograph (3)

■ Applications

Portable terminals and equipment that use GSM Standard (11.11) plug-in SIM cards.

■Product Specifications

Rating	Current rating 1 A	Operating temperature -30°C to +80°C (NOTE 1)	Storage temperature -10°C to +60°C (NOTE 2)
	Voltage rating 100 V AC	Operating humidity range 40 to 80%	Storage humidity 40 to 70% (NOTE 2)

Item	Specification	Conditions
1. Insulation resistance	1000M ohms min.	100 V DC
2. Withstanding voltage	No flashover or insulation breakdown.	500 V AC / 1 minute
3. Contact resistance	40 m ohms max.	100 mA
4. Vibration	No electrical discontinuity of 10 μ s or more	Frequency: 10 to 55 Hz, single amplitude of 0.75 mm, 2 hours in each of the 3 directions.
5. Humidity (Steady state)	Contact resistance 60 m ohms max. Insulation resistance 100 M ohms min.	96 hours at temperature of 40°C and humidity of 90% to 95%
6. Temperature cycle	Contact resistance 60 m ohms max. Insulation resistance 100 M ohms min.	Temperature: -55°C: 30 min. --> 15 to 35°C: 5 min. MAX --> 85°C: 30 min --> 15 to 35°C: 5 min. MAX) for 5 cycles
7. Durability (Insertion/withdrawal)	Contact resistance of 60 m ohms max.	5000 cycles
8. Resistance to Soldering heat	No deformation of components affecting performance.	Reflow: At the recommended temperature profile
		Manual soldering: 300°C for 3 seconds

Note 1: Includes temperature rise caused by current flow.

Note 2: The term "storage" refers to products stored for long period of time prior to mounting and use. Operating Temperature Range and Humidity range covers non- conducting condition of installed connectors in storage, shipment or during transportation.

■Materials

Part	Material	Finish	Remarks
Insulator	Synthetic resin	Color : Black	UL94V-0
Contacts	Phosphor bronze	Contact portion: Gold plating Lead portion: Solder plating	—
Card holder	Synthetic resin	Color : Black	UL94V-0
Slider	Synthetic resin	Color : Beige	UL94V-0

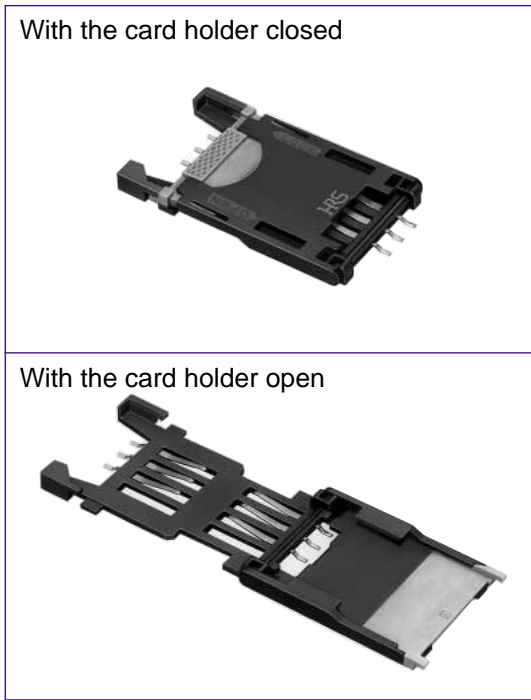
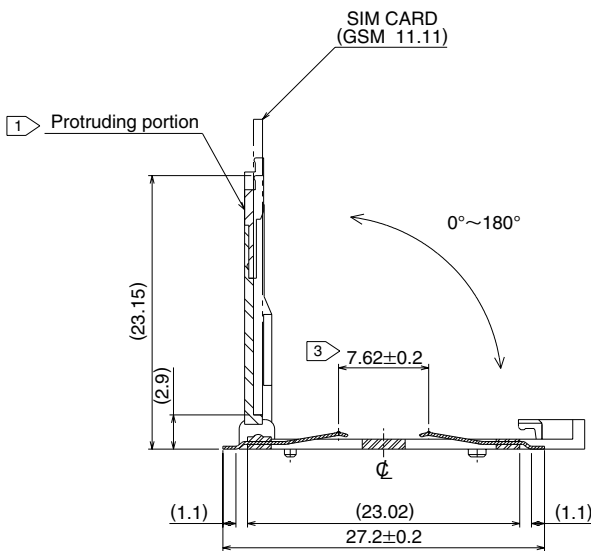
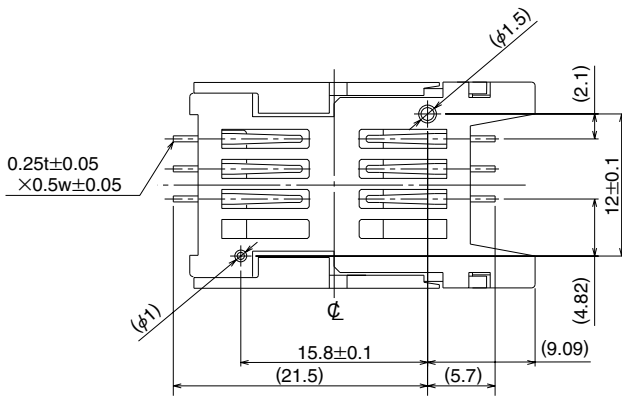
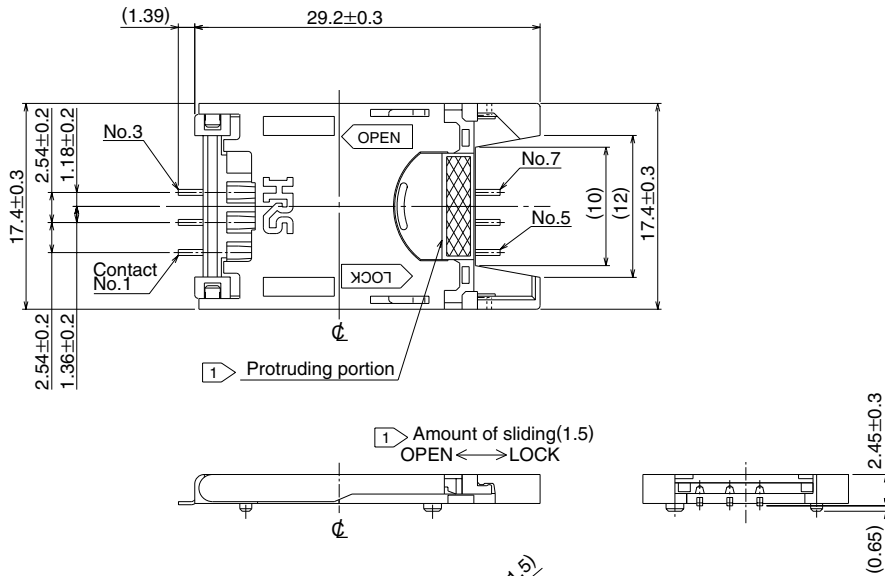
●Ordering Information

ID1A - 6 S - 2.54 SF (21)

① ② ③ ④ ⑤ ⑥

① Series Name: ID1A
② Number of contacts: 6
③ Contact type S: Socket
④ Contact pitch: 2.54 mm
⑤ Terminal type SF: SMT type
⑥ Packaging type Blank: Tray packaging (21): Embossed tape packaging

Sockets

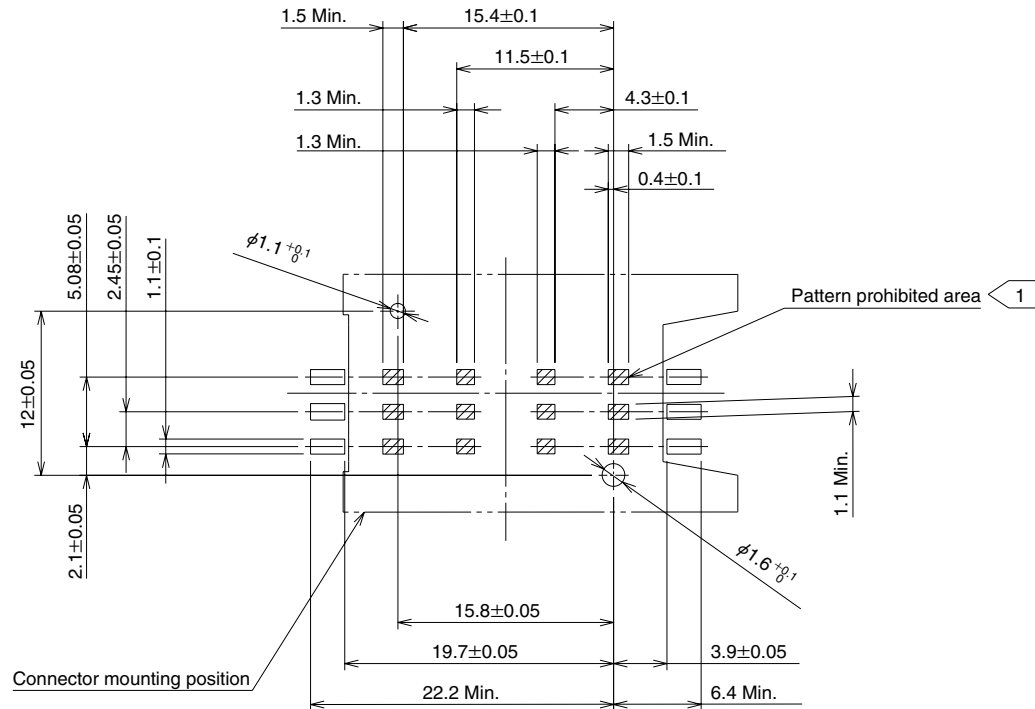


- 1 When locking, slide the protruding portion of the slider after the card holder has been closed.
- 2 The co-planarity at the SMT lead tip portion is 0.1 maximum.
- 3 ϕ indicates a 7.62 ± 0.2 center line.

Part Number	CL No.	Number of Contacts	Packaging type	Number of Pieces
ID1A-6S-2.54SF	645-0003-9	6	Tray	—
ID1A-6S-2.54SF(21)	645-0003-9-21	6	Embossed tape (NOTE 1)	500 pieces per reel

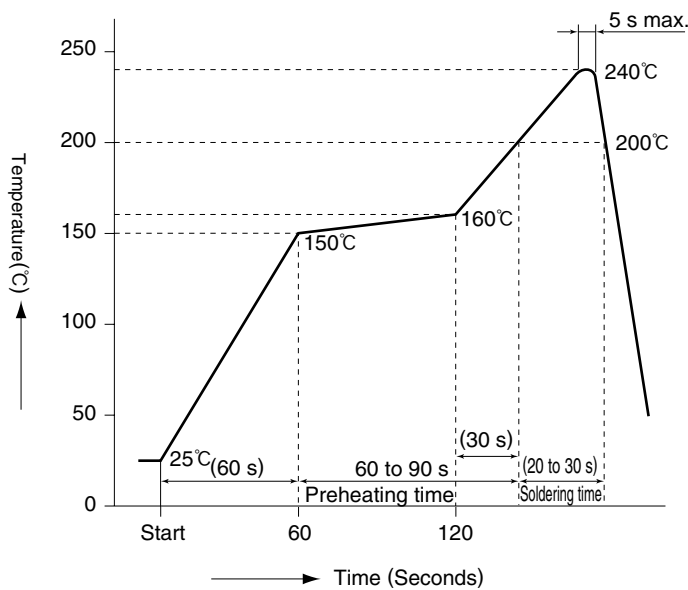
NOTE 1: Embossed tape packaged items are sold by the reel with 500 pieces per reel.

◆PCB mounting pattern



1 Shaded portions [///] indicate pattern prohibited areas.

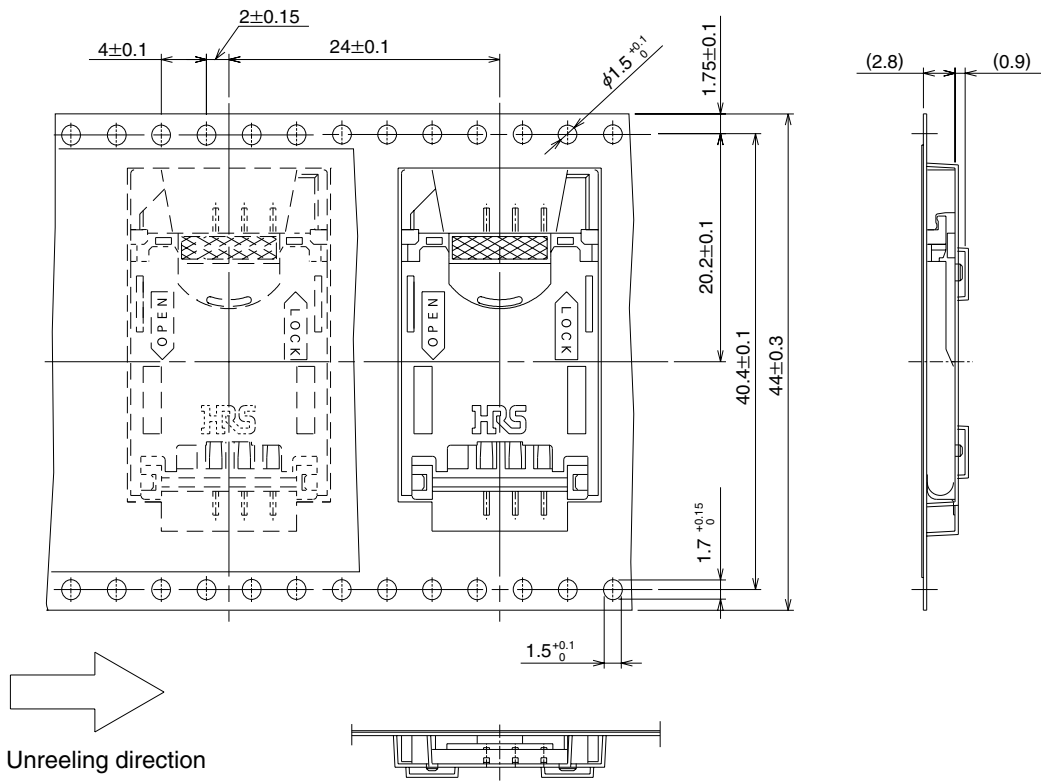
◆Temperature Profile



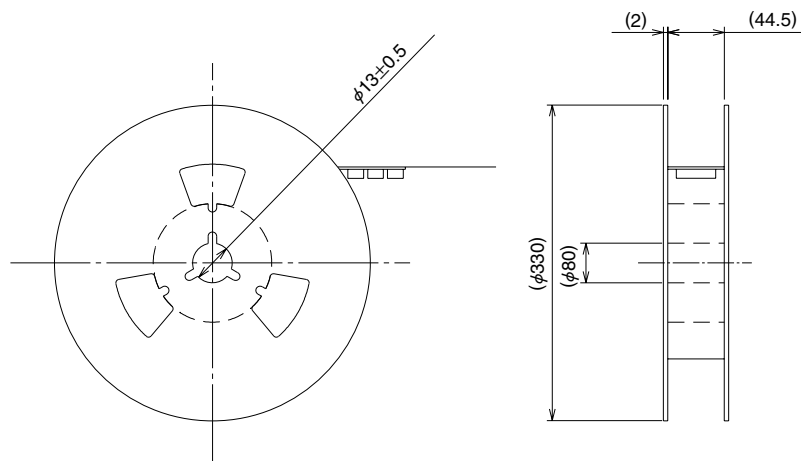
Applicable Conditions
 Reflow system: IR reflow
 Solder type: Cream type 63 Sn/37 Pb
 (Flux component 9 wt%)
 Test board: Glass epoxy 85 x 60 x 1 mm
 Metal mask thickness: 0.15 mm

Conditions may change and are dependent on type and thickness of solder.

■ Embossed Carrier Tape Dimensions



● Reel Dimensions

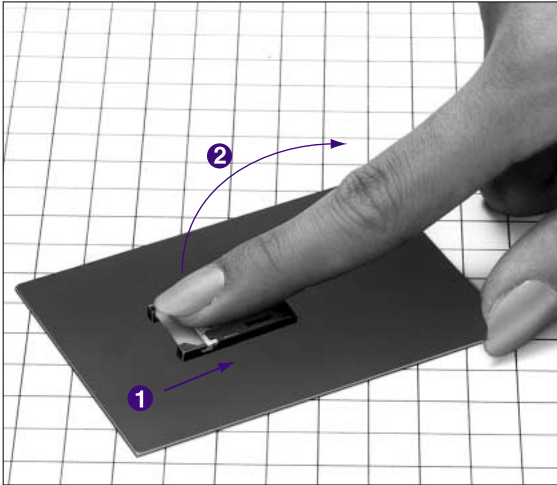


■ Method of Using the Sockets

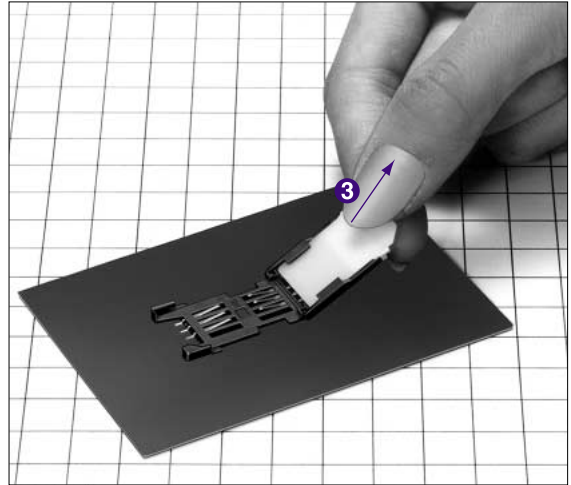
1. Part Structure and Names

Please see Photograph (3) on C39 page.

2. Opening the Holder Cover

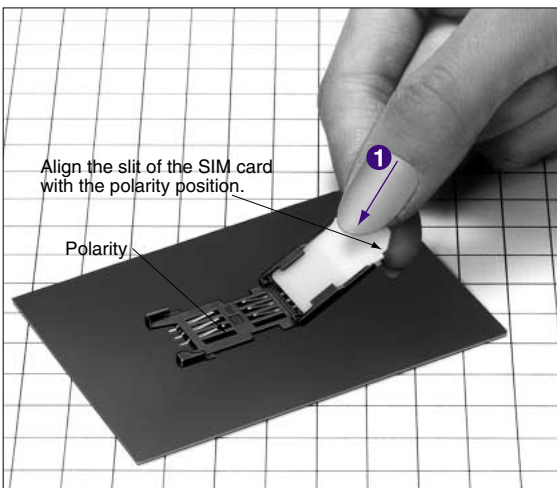


Press the slider and at the same time move it in the direction marked "OPEN". This action will release the lock and free the card holder.

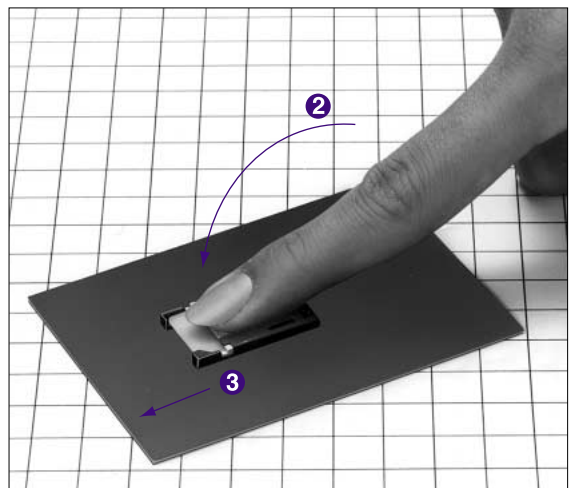


Remove the SIM card (as shown) so that it comes out from the card holder.

3. Closing the Holder Cover



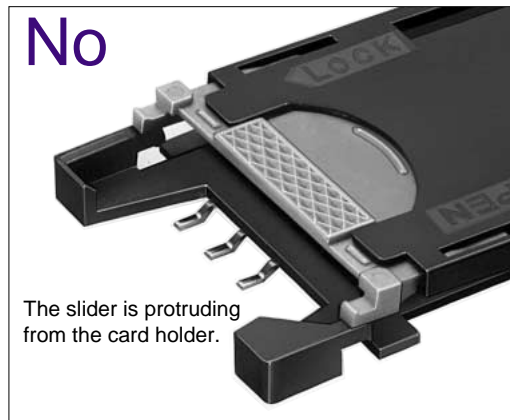
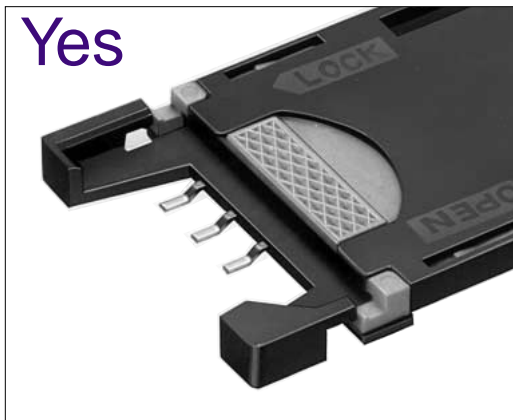
Insert the SIM card to the card holder.



Close the card holder, press the slider, and at the same time move it in the direction marked "LOCK" on the card holder. A click sound will indicate that the lock has been engaged.

◆Precautions for Use

- 1) When opening the card holder with a SIM card inserted, avoid the action of directly lifting the SIM card and releasing the lock. Doing so will cause damage to the lock structure.
- 2) The card holder is based on a structure that moves only in the turning direction. Avoid pulling or applying unreasonable force in other directions.
- 3) Do not close the card holder when the slider is protruding from the card holder. Doing so will cause damage to the lock structure. (Please refer to the photographs below.)
- 4) A lock that is not fully engaged will cause poor contact.
- 5) Do not perform hot-line insertions. (NOTE 1)
NOTE 1: The term hot-line insertion means performing an insertion while the electricity is supplied.



◆Washing Conditions

1) Organic Solvent Washing

Solvent	Normal temperature washing	Heated washing
IPA (Isopropyl alcohol)	Yes	Yes
HCFC (Hydrochlorofluorocarbon)	Yes	Yes

2) Water Type Washing

When using water type cleaning agents (e.g., terpene, and alkali saponifiers), select the cleaning agent based on the documentation issued by the various manufacturers of cleaning agents which describes the effects on metals and resins.

3) Washing Precautions

Residual flux or cleaning agent on the sockets when washing with organic solvents or water type cleaners can give rise to the deterioration of electrical performance. In this regard it is important to check whether a thorough washing has been performed.