

## 阅读申明

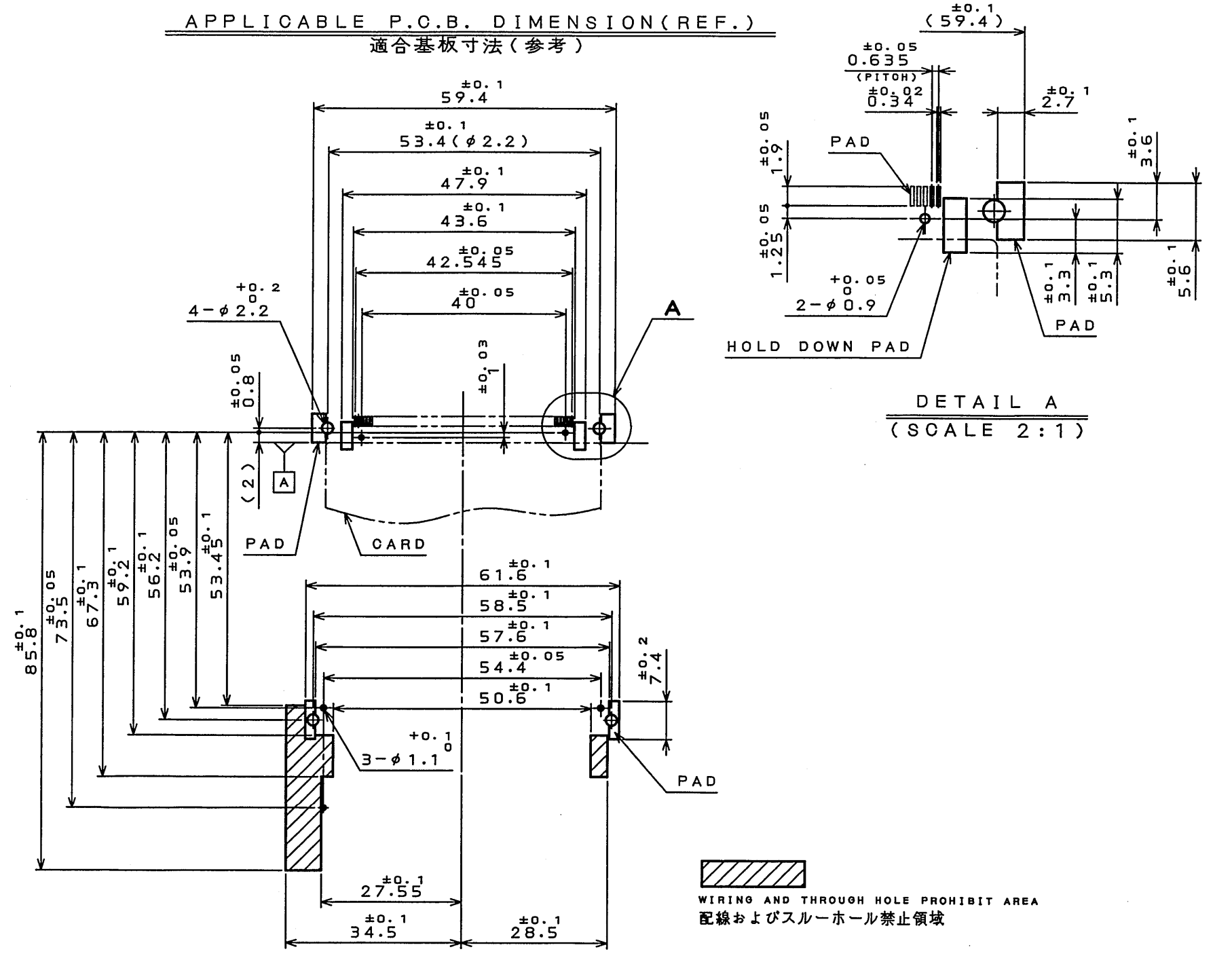
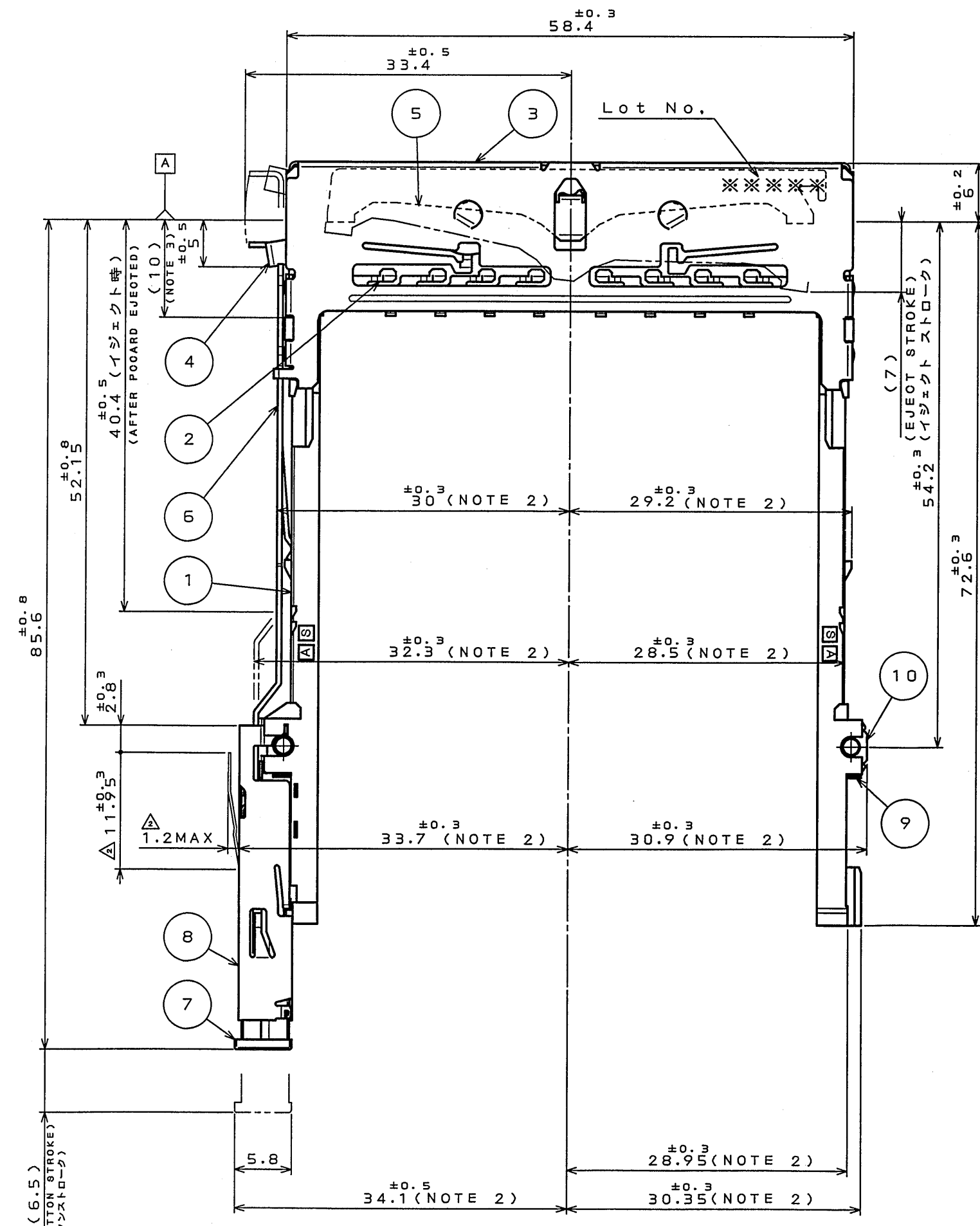
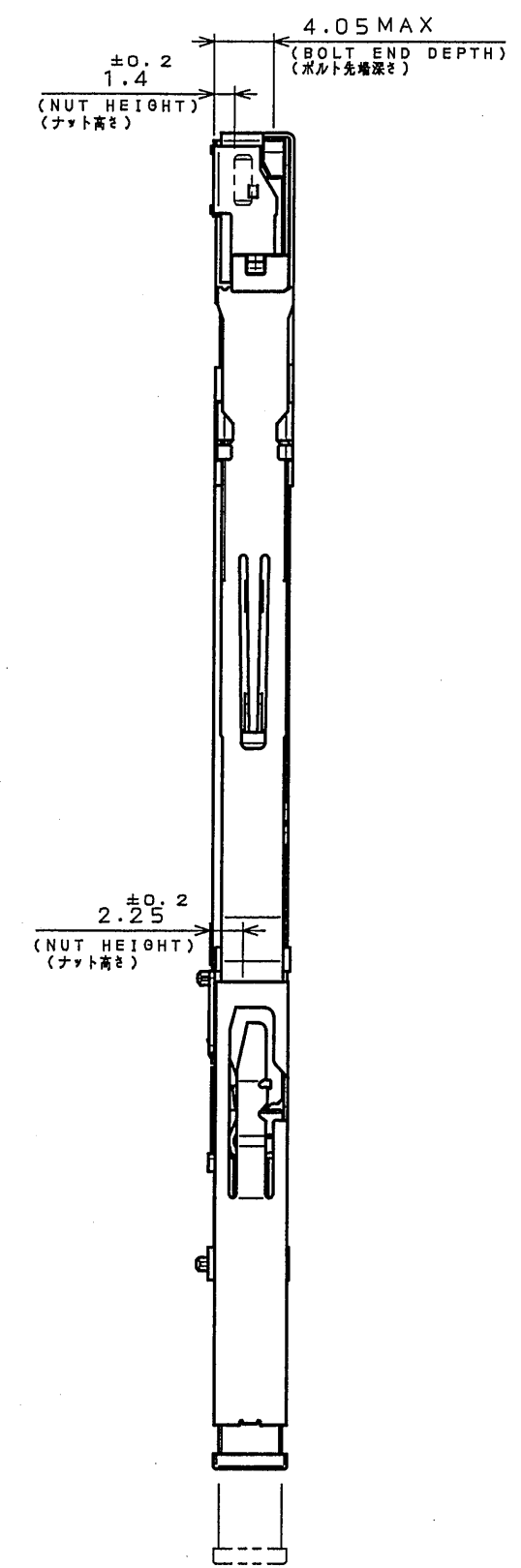
- 1.本站收集的数据手册和产品资料都来自互联网，版权归原作者所有。如读者和版权方有任何异议请及时告之，我们将妥善解决。
- 2.本站提供的中文数据手册是英文数据手册的中文翻译，其目的是协助用户阅读，该译文无法自动跟随原稿更新，同时也可能存在翻译上的不当。建议读者以英文原稿为参考以便获得更精准的信息。
- 3.本站提供的产品资料，来自厂商的技术支持或者使用者的心得体会等，其内容可能存在描述上的差异，建议读者做出适当判断。
- 4.如需与我们联系，请发邮件到marketing@iczoom.com，主题请标有“数据手册”字样。

## Read Statement

1. The datasheets and other product information on the site are all from network reference or other public materials, and the copyright belongs to the original author and original published source. If readers and copyright owners have any objections, please contact us and we will deal with it in a timely manner.
2. The Chinese datasheets provided on the website is a Chinese translation of the English datasheets. Its purpose is for reader's learning exchange only and do not involve commercial purposes. The translation cannot be automatically updated with the original manuscript, and there may also be improper translations. Readers are advised to use the English manuscript as a reference for more accurate information.
3. All product information provided on the website refer to solutions from manufacturers' technical support or users the contents may have differences in description, and readers are advised to take the original article as the standard.
4. If you have any questions, please contact us at marketing@iczoom.com and mark the subject with "Datasheets" .

5859E0RS  
(ON ENIMYHQ)各要図

版数 REV.	年月日 DATE	DCN NO.	変更内容 DESCRIPTION	製図 DR.	担当 CHK.	査閲 APPD.	承認 APPD.
2	19.AUG.2003	53056	CHANGED FORM	M.ITOU	T.WADA	M.SAKAKI	A.KIMURA
3	18.SEP.2003	053273	CHANGED NOTES	H.SAKURADA	T.WADA	M. Sasaki	A. Kimura



DESIGNATION  
命名法

JC21EJ2-DSL\*

DOUBLE PUSH TYPE FRAME SIDE ダブルプッシュ型フレーム側	STAND-OFF CODE スタンドオフコード NONE:0mm 無:0mm (20:2.0mm) 20:2.0mm
MOUNTING CODE (TABLE 1) 実装コード(表1) S:STANDARD S:スタンダード (R:REVERSE R:リバース)	POSITION OF EJECTOR BUTTON イジェクトボタン位置 (R:RIGHT SIDE R:右側ボタン) (L:LEFT SIDE L:左側ボタン)

- △ 注 1. 本品は、JC21EJ2-BS\*(SJ036132)又は、JC21EJ2-BS\*E(SJ039043)と組合せて使用します。  
2. 基板装着時の寸法を示します。  
3. 54.2 $\pm$ 0.05は、嵌合基準面 (A) より10mmの範囲の寸法を示します。  
4. 本品は、PCカードスタンダードに準拠します。  
(適合カード:タイプI~タイプIIIカード)

NOTE 1. THIS CONNECTOR MATES WITH JC21EJ2-BS\*(SJ036132) OR JC21EJ2-BS\*E(SJ039043). (TABLE 1)  
2. DIMENSION WHEN MOUNTED PCB.  
3. THE DIMENSION 54.2 $\pm$ 0.05 SHOWS DIMENSION FOR A DISTANCE OF 10mm BEFORE ENGAGEMENT (A).  
4. THIS PRODUCTS ARE DESIGNED IN ACCORDANCE WITH PC CARD STANDARD. (APPLICABLE CARD: TYPE I~TYPE III CARD)

TABLE 1 (NOTE 1)

MOUNTING SIDE 実装面	MOUNTING CODE 実装コード	MATING SIDE 嵌合面	SUITABLE CONNECTOR 適合コネクタ
STANDARD スタンダード	S		JC21EJ2-BS* JC21EJ2-BS*E △

10	NUT	4	STEEL	NI PLATING	M2
9	EARTH LUG	2	STAINLESS STEEL		
8	EJECT UNIT	1			
7	BUTTON	1	PBT		COLOR:BLACK UL94V-0
6	EJECT BAR	1	STAINLESS STEEL		
5	PLATE	1	STAINLESS STEEL		
4	LEVER	1	STAINLESS STEEL		
3	COVER	1	STAINLESS STEEL		
2	GROUND PLATE	1	PHOSPHOR BRONZE	SELECTIVE GOLD PLATING	
1	FRAME	2	PBT		COLOR:BLACK UL94V-0
符号 NO.	名称 DESCRIPTION	個数 QTY.	材料 MATERIAL	仕上 FINISH	備考 REMARKS

仕様書(SPECIFICATION) JACS-1554-03 JAHL-1554-03  
第1版(ORIGINAL DATE) 21.Jan.2002  
図面 DR. M.KIMURA  
製図 DR. M.KIMURA  
承認 APPD. T.WADA  
査閲 APPD. S.KASHIWAGI  
承認 APPD. K.SUZUKI  
公差(GENERAL TOLERANCE)  
寸法(DIMENSION) 角度(ANGLES)  
. ±0.8 X° ±  
.X ±0.4 X°X ±  
.XX ±0.1  
.XXX ±

尺度(SCALE) シリーズ(SERIES)  
名称(TITLE)  
JC21EJ2-DSL  
JAE-CONNECTOR.COM  
Reference Only  
JAE INDUSTRY, LTD.  
図面番号(DRAWING NO.)  
SJ036585  
版数(REV.)  
3

DOF-0-213E(03.08)

