

## 阅读申明

- 1.本站收集的数据手册和产品资料都来自互联网，版权归原作者所有。如读者和版权方有任何异议请及时告之，我们将妥善解决。
- 2.本站提供的中文数据手册是英文数据手册的中文翻译，其目的是协助用户阅读，该译文无法自动跟随原稿更新，同时也可能存在翻译上的不当。建议读者以英文原稿为参考以便获得更精准的信息。
- 3.本站提供的产品资料，来自厂商的技术支持或者使用者的心得体会等，其内容可能存在描述上的差异，建议读者做出适当判断。
- 4.如需与我们联系，请发邮件到marketing@iczoom.com，主题请标有“数据手册”字样。

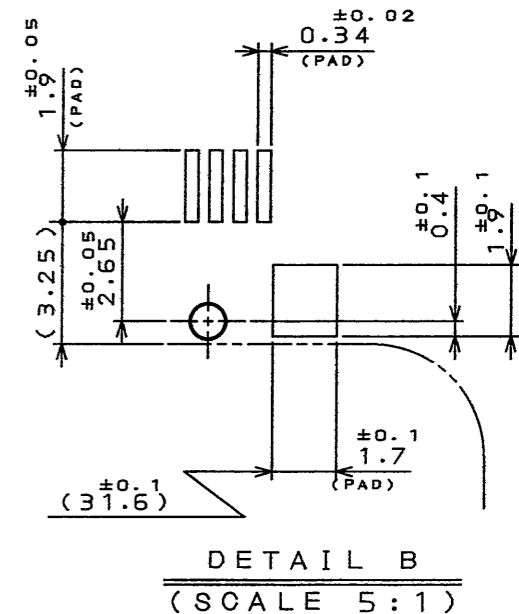
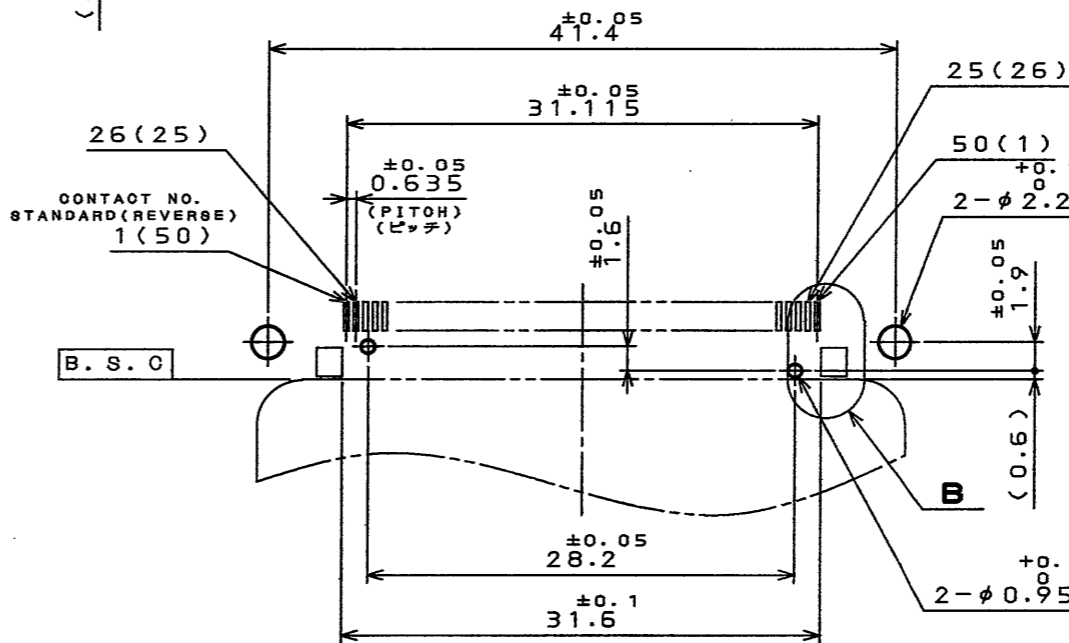
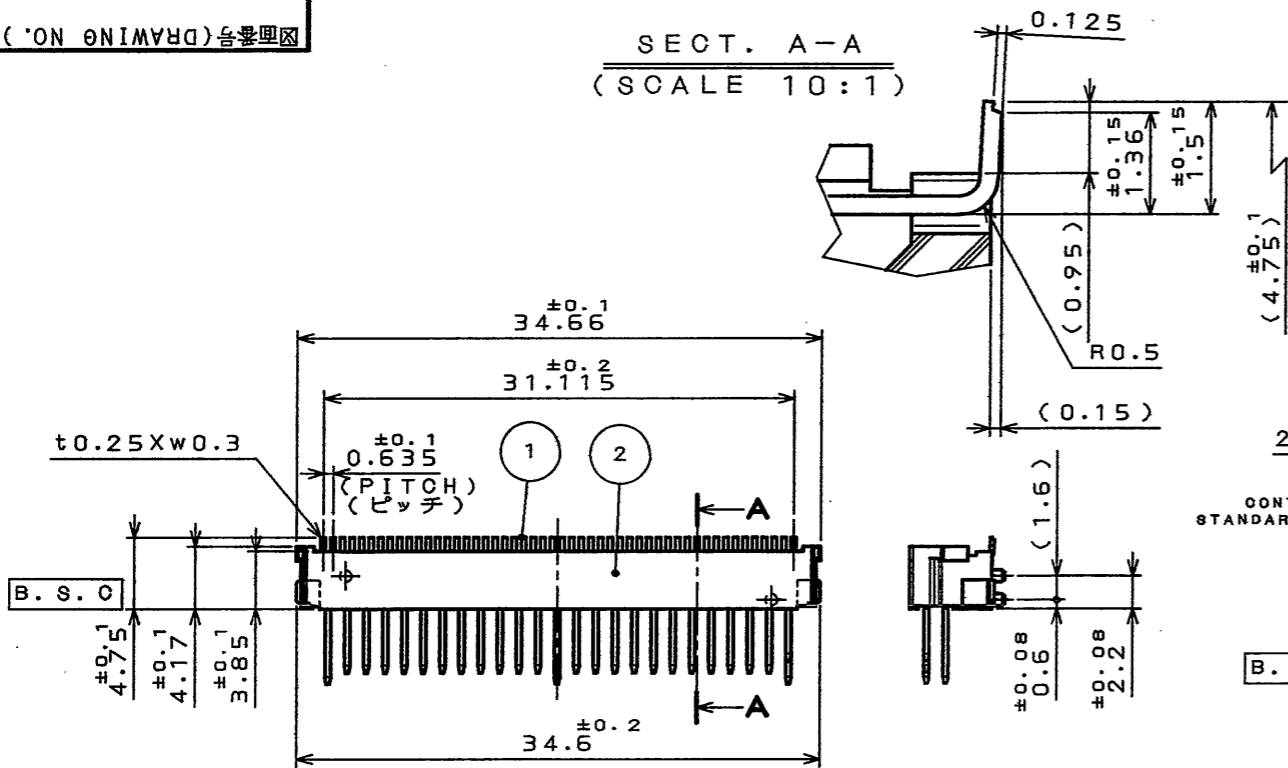
## Read Statement

1. The datasheets and other product information on the site are all from network reference or other public materials, and the copyright belongs to the original author and original published source. If readers and copyright owners have any objections, please contact us and we will deal with it in a timely manner.
2. The Chinese datasheets provided on the website is a Chinese translation of the English datasheets. Its purpose is for reader's learning exchange only and do not involve commercial purposes. The translation cannot be automatically updated with the original manuscript, and there may also be improper translations. Readers are advised to use the English manuscript as a reference for more accurate information.
3. All product information provided on the website refer to solutions from manufacturers' technical support or users the contents may have differences in description, and readers are advised to take the original article as the standard.
4. If you have any questions, please contact us at marketing@iczoom.com and mark the subject with "Datasheets" .

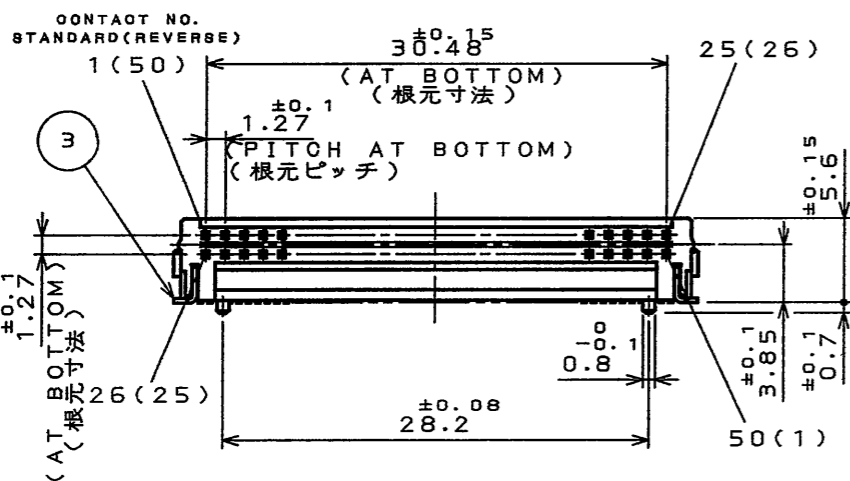
ES6001PS

( 'ON 0NIMVRR)台要理図

SECT. A-A  
(SCALE 10:1)



APPLICABLE P.C.B. DIMENSION (REF.)  
適合基板寸法 (参考)



DESIGNATION  
命名法

JC26-BB\*\*\*E

(LEAD FREE) TIN/TIN ALLOY  
錫または錫合金 (無鉛)

CODE OF STAND OFF  
スタンドオフコード

無印: 0mm  
16: 1.6mm  
NONE: 0mm  
16: 1.6mm

SERIES  
シリーズ

BASE  
ベース

POSITIONING BOSS TYPE  
位置決めボス有無

B: WITH POSITIONING BOSS  
N: WITHOUT POSITIONING BOSS  
B: ボス有  
N: ボス無

- NOTE 1. THIS PRODUCTS ARE DESIGNED IN ACCORDANCE WITH COMPACT FLASH ASSOCIATION.  
2. COPLANALITY OF SMT TERMINAL IS 0.1 MAX. (INCLUDE HOLD DOWN)  
3. PLEASE REFER TO TABLE 1 FOR TERMINAL LENGTH.  
4. THIS CONNECTOR MATES WITH JC26-F\*\*\*16.
1. 本品は、コンパクトフラッシュ アソシエーションに準拠する。  
2. 端子のパラッキ0.1以下。(ホールドダウンを含む)  
3. 端子長寸法は、表1を参照願います。  
4. 本品は、JC26-F\*\*\*16と組み合わせて使用する。

TABLE 1

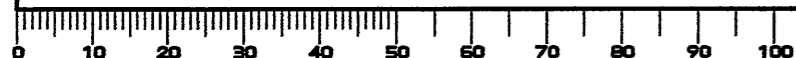
CONTACT NUMBER 端子番号	TERMINAL LENGTH 端子長
1, 13, 38, 50	5 ±0.1
25, 26	3.5 ±0.1
OTHERS 他	4.25 ±0.1

3	HOLD DOWN	2	PHOSPHOR BRONZE	(LEAD FREE) TIN/TIN ALLOY OVER NICKEL
2	INSULATOR	1	GLASS FILLED LCP	COLOR: IVORY UL94 V-0
1	CONTACT	50	COPPER ALLOY	CONTACT AREA: GOLD (0.1μm MIN.) OVER NICKEL TERMINAL AREA: (LEAD FREE) TIN/TIN ALLOY OVER NICKEL
符号 NO.	名称 DESCRIPTION	個数 QTY.	材料 MATERIAL	仕上 FINISH
	JACS-1504			2: 1
仕様書 (SPECIFICATION)		第1版 (ORIGINAL DATE)		備考 REMARKS
		25.Mar.2004		名称 (TITLE) JC26
公差 (GENERAL TOLERANCE)		製図 DR.	M.ABE	日本航空電子工業株式会社 JAPAN AVIATION ELECTRONICS INDUSTRY, LTD.
寸法 (DIMENSION)		担当 CHK.	T.WADA	
角度 (ANGLES)		査閲 APPD.	M. Sasaki	
. ±0.8 X° ± .X ±0.4 X°X' ± .XX ±0.1 .XXX ±		承認 APPD.	A. Kimura	
重量 (WEIGHT)				図面番号 (DRAWING NO.) SJ100953

LEAD FREE この製品は鉛フリー品です

JAE CONNECTOR DIV. PROPRIETARY.  
COPYRIGHT (C) 2004. JAPAN AVIATION ELECTRONICS INDUSTRY, LTD.

DOF-C-212E(03.08)



SIZE A3