

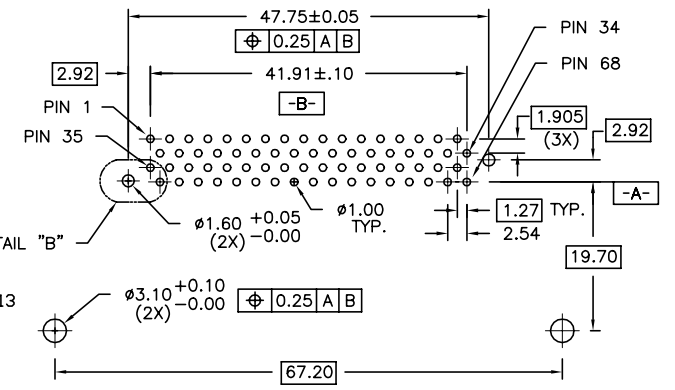
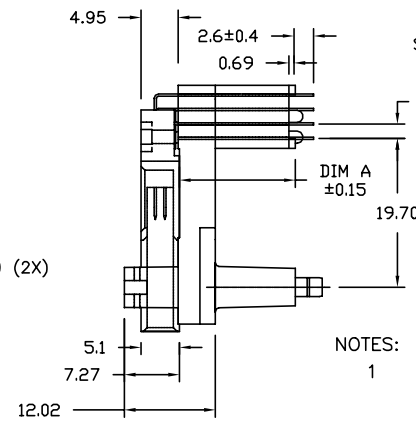
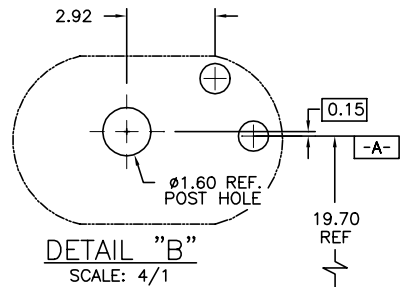
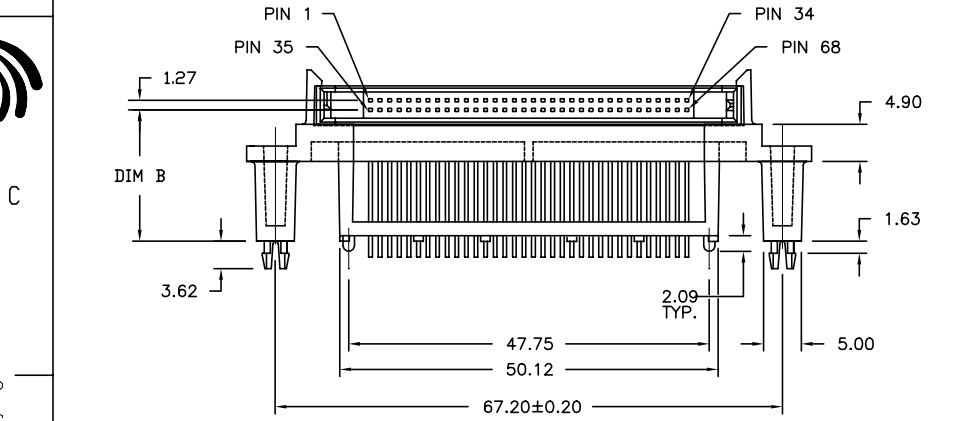
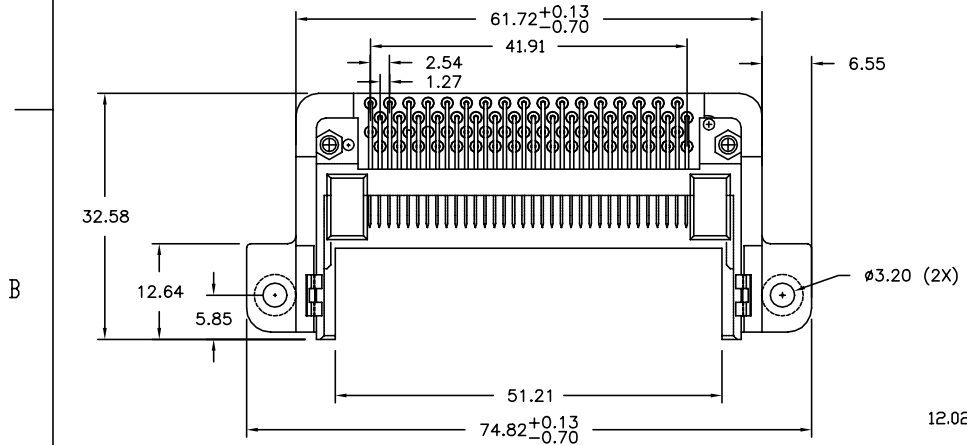
## 阅读申明

- 1.本站收集的数据手册和产品资料都来自互联网，版权归原作者所有。如读者和版权方有任何异议请及时告之，我们将妥善解决。
- 2.本站提供的中文数据手册是英文数据手册的中文翻译，其目的是协助用户阅读，该译文无法自动跟随原稿更新，同时也可能存在翻译上的不当。建议读者以英文原稿为参考以便获得更精准的信息。
- 3.本站提供的产品资料，来自厂商的技术支持或者使用者的心得体会等，其内容可能存在描述上的差异，建议读者做出适当判断。
- 4.如需与我们联系，请发邮件到marketing@iczoom.com，主题请标有“数据手册”字样。

## Read Statement

1. The datasheets and other product information on the site are all from network reference or other public materials, and the copyright belongs to the original author and original published source. If readers and copyright owners have any objections, please contact us and we will deal with it in a timely manner.
2. The Chinese datasheets provided on the website is a Chinese translation of the English datasheets. Its purpose is for reader's learning exchange only and do not involve commercial purposes. The translation cannot be automatically updated with the original manuscript, and there may also be improper translations. Readers are advised to use the English manuscript as a reference for more accurate information.
3. All product information provided on the website refer to solutions from manufacturers' technical support or users the contents may have differences in description, and readers are advised to take the original article as the standard.
4. If you have any questions, please contact us at marketing@iczoom.com and mark the subject with "Datasheets" .

PRODUCT NO.	DIM "A"	DIM "B"	Comments
87536-001LF	8.90	10.8	
87536-011LF	8.90	10.8	SEE NOTE 2
87536-002/002LF	12.70	14.6	
87536-003/003LF	SEE SHEET 2	SEE SHEET 2	
87536-004LF	15.50	17.4	
87536-014LF	15.50	17.4	SEE NOTE 2
87536-005/005LF	SEE SHEET 3	SEE SHEET 3	



P.C.B. LAYOUT

NOTES:

- 1 MATERIAL:  
CONTACT - COPPER ALLOY  
HOUSING: HIGH TEMPERATURE THERMOPLASTIC UL94V-0 BLACK
- 2 PLATING:  
CONTACT - ALL OVER 1.27um NICKEL UNDER PLATING  
0.076um GOLD MIN ON CONTACT  
2.5um TIN/LEAD PLATING ON TIN LEAD SOLDER TAIL  
2.5um PURE TIN PLATING ON LEAD FREE SOLDER TAIL
- 3 MATING CONNECTOR TO MATE WITH 68 POS. RECEPTACLE BASED ON JEIDA/PCMCIA SPECIFICATION
- 4 IF LEAD FREE P/N. THE HOUSING WILL WITHSTAND EXPOSURE TO 260°C PEAK TEMPERATURE FOR 10 SECONDS IN A WAVE SOLDER APPLICATION WITH A 1.00MM MINIMUM THICK CIRCUIT BOARD.
- 5 IF LEAD FREE P/N. PACKAGING MEETS GS-14-920 SPECIFICATION
- 6 LEAD FREE PRODUCT MEETS EUROPEAN UNION DIRECTIVES AND OTHER COUNTRY REGULATIONS AS DISCRIBED IN GS-22-008
- 7 PRODUCT SPECIFICATION APR-12-031, PACKING SPECIFICATION BUS-14-357
- 8 PRODUCT SPEC:110-263

rev	ecn no	dr	date
W	LX-N-011425	ZK	04/23/12
R	N10-0052	SH	05/30/10
S	N10-0140	SH	06/29/10
T	N10-0331	David	09/20/10
U	N10-0339	SH	09/30/10
V	ELX-N-007948	ZK	11/01/11
W	ELX-N-011425	ZK	04/27/12

www.fciconnect.com		surface 6.4 Iso 1302	tolerance std Iso406 Iso 1101	projection	
		TOLERANCES UNLESS OTHERWISE SPECIFIED			
Dr	R.GRAPE	3/6/96	ANGULAR	0.X ± 0.3	size A4
Eng	CHONG YI	3/6/96	LINEAR	0.XX ± 0.15	Scale 1.000
Chr	CHONG YI	3/6/96	0° ±2°	0.XXX ± 0.05	ECN N10-0140
Appr	CHONG YI	3/6/96	Product family	PCMCIA	Spec ref *
FCI		title		87536	
		HEADER ASSEMBLY W/STANDOFF		Rev. W	
catalog no		*		CUSTOMER	
				sheet 1 of 3	

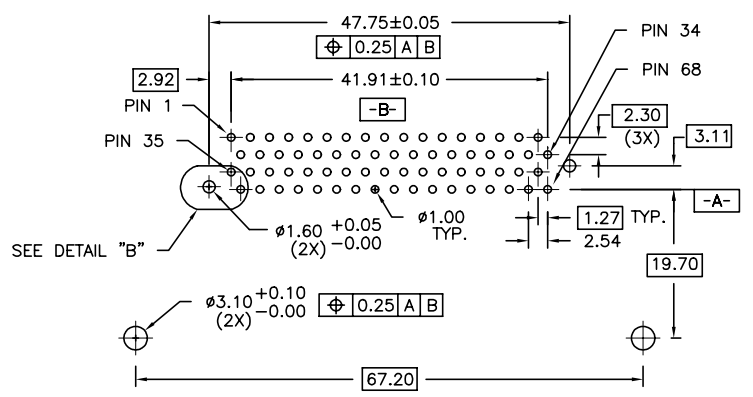
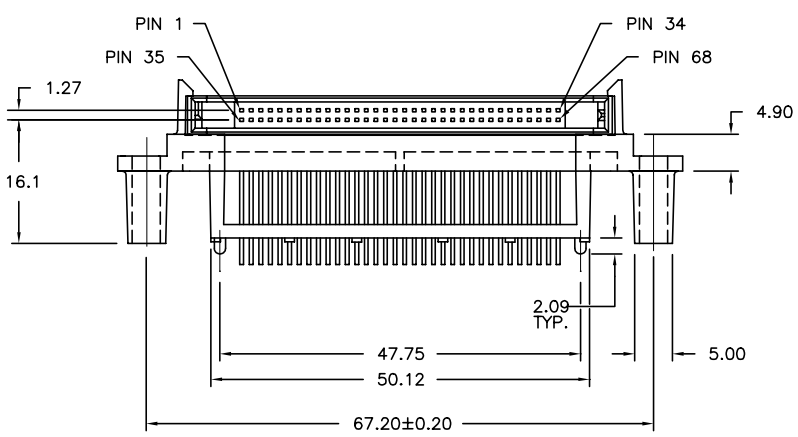
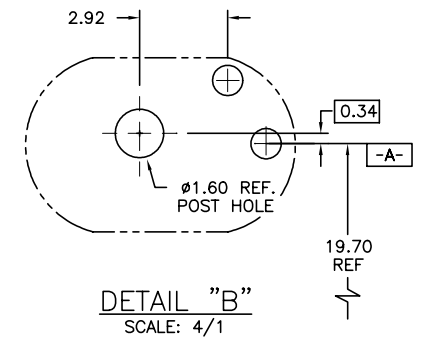
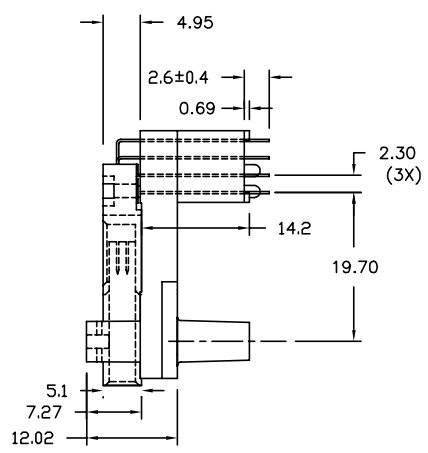
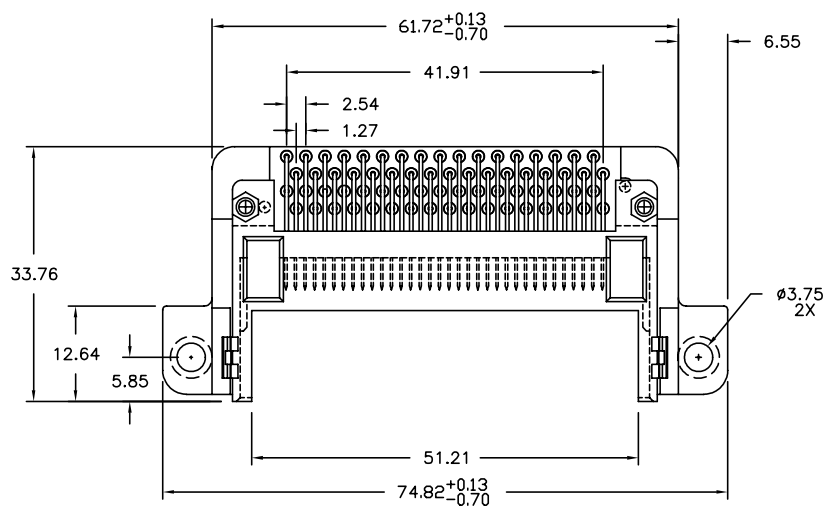


Copyright FCI



Copyright FCI.

PRODUCT NO.  
87536-003/003LF

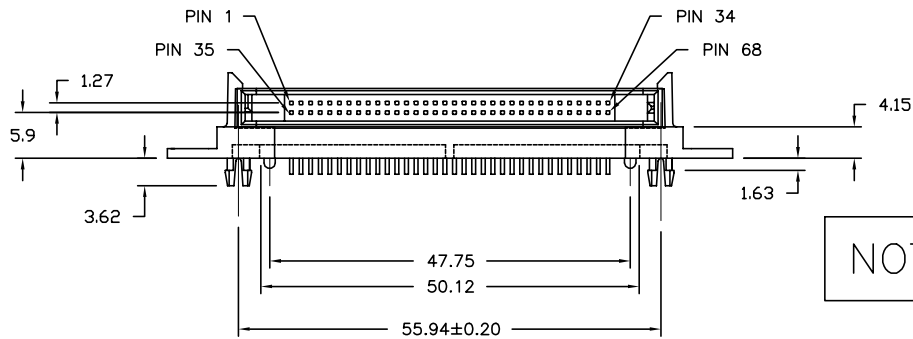
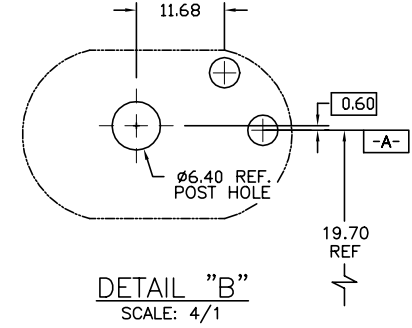
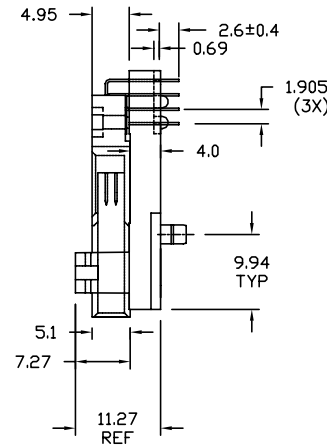
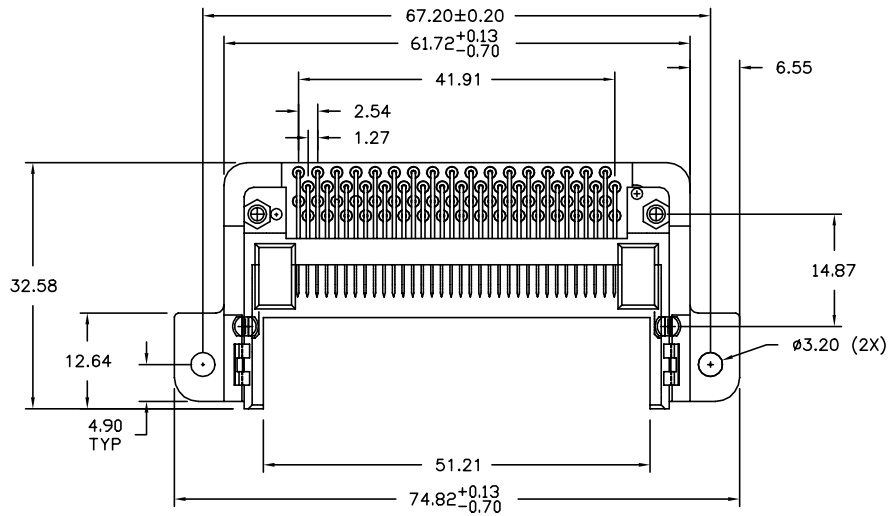


P.C.B. LAYOUT

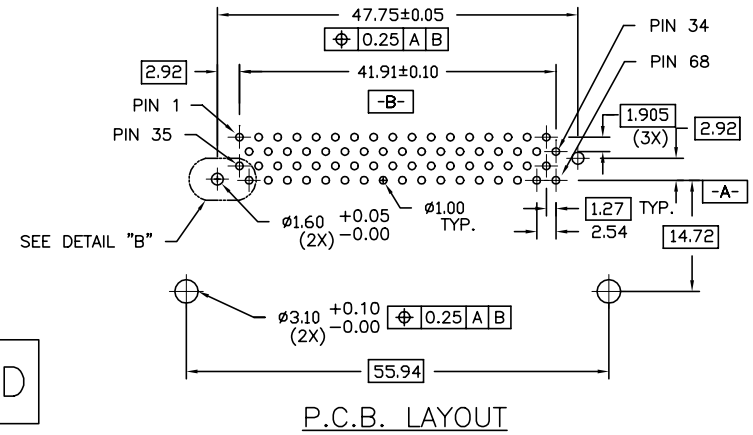
www.fciconnect.com			surface 6.4 Iso 1302	tolerance std Iso406 Iso 1101	projection ⊕	
			TOLERANCES UNLESS OTHERWISE SPECIFIED		↔	
Dr	R.GRAPE	3/6/96	ANGULAR	0.X ± 0.3	size	Scale
Eng	CHONG YI	3/6/96	LINEAR	0.XX ± 0.15	A4	1.000
Chr	CHONG YI	3/6/96	0° ±2°	0.XXX ± 0.05	ECN	ELX-N-007948
Appr	CHONG YI	3/6/96	Product family	PCMCIA	Spec ref	*
FCI			title		dwg no	
			HEADER ASSEMBLY W/STANDOFF		87536	
			catalog no		Rev.	
			*		W	
			CUSTOMER		sheet 2 of 3	

REV F - 2006-04-17

PRODUCT NO.  
87536-005/005LF



NOT TOOLED



www.fciconnect.com				surface 6.4 Iso 1302	tolerance std Iso406 Iso 1101	projection ⊕	
				TOLERANCES UNLESS OTHERWISE SPECIFIED			
Dr	R.GRAPE	3/6/96	ANGULAR	0.X	± 0.3	size	A4
Eng	CHONG YI	3/6/96	LINEAR	0.XX	± 0.15	Scale	1.000
Chr	CHONG YI	3/6/96	0° ±2°	0.XXX	± 0.05	ECN	ELX-N-007948
Appr	CHONG YI	3/6/96	Product family	PCMCIA		Spec ref	*
title			HEADER ASSEMBLY W/STANDOFF			dwg no	
catalog no			*			87536	
			CUSTOMER			sheet 3 of 3	
						Rev. W	