

## 阅读申明

- 1.本站收集的数据手册和产品资料都来自互联网，版权归原作者所有。如读者和版权方有任何异议请及时告之，我们将妥善解决。
- 2.本站提供的中文数据手册是英文数据手册的中文翻译，其目的是协助用户阅读，该译文无法自动跟随原稿更新，同时也可能存在翻译上的不当。建议读者以英文原稿为参考以便获得更精准的信息。
- 3.本站提供的产品资料，来自厂商的技术支持或者使用者的心得体会等，其内容可能存在描述上的差异，建议读者做出适当判断。
- 4.如需与我们联系，请发邮件到marketing@iczoom.com，主题请标有“数据手册”字样。

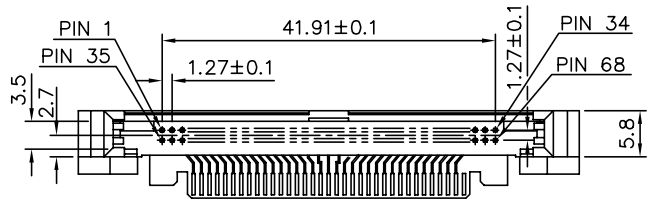
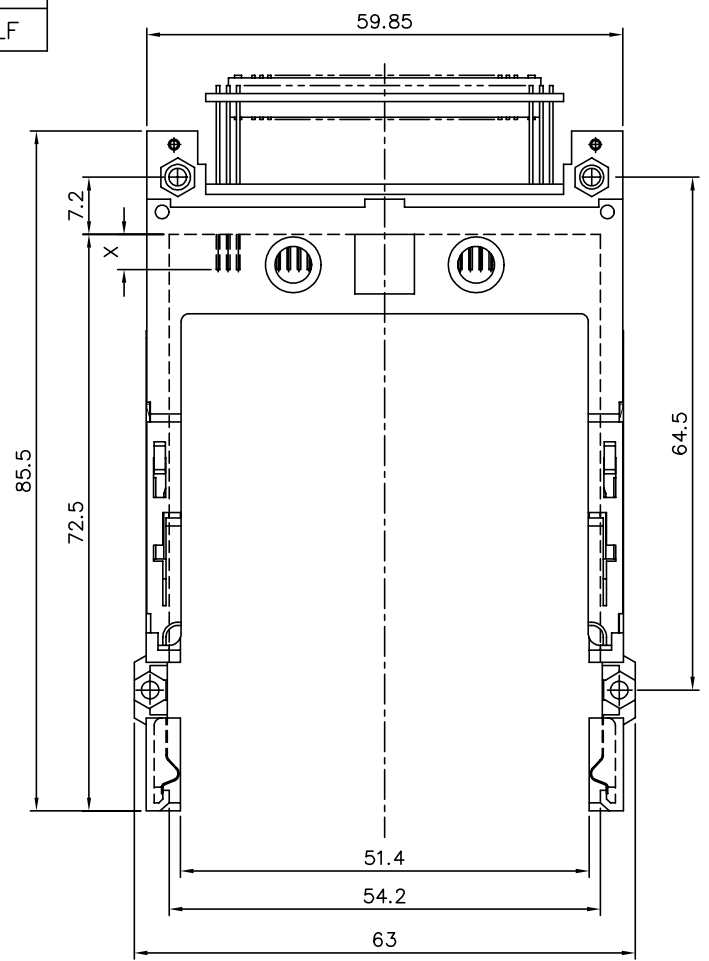
## Read Statement

1. The datasheets and other product information on the site are all from network reference or other public materials, and the copyright belongs to the original author and original published source. If readers and copyright owners have any objections, please contact us and we will deal with it in a timely manner.
2. The Chinese datasheets provided on the website is a Chinese translation of the English datasheets. Its purpose is for reader's learning exchange only and do not involve commercial purposes. The translation cannot be automatically updated with the original manuscript, and there may also be improper translations. Readers are advised to use the English manuscript as a reference for more accurate information.
3. All product information provided on the website refer to solutions from manufacturers' technical support or users the contents may have differences in description, and readers are advised to take the original article as the standard.
4. If you have any questions, please contact us at marketing@iczoom.com and mark the subject with "Datasheets" .

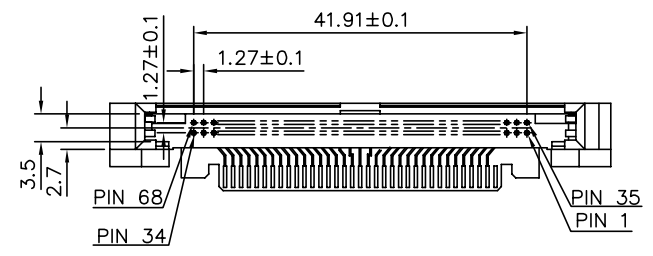
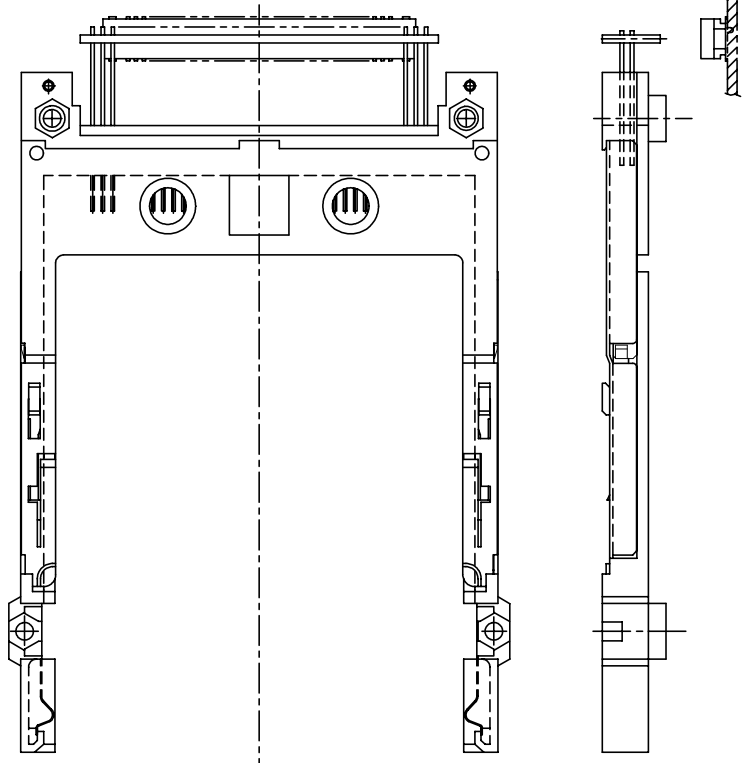
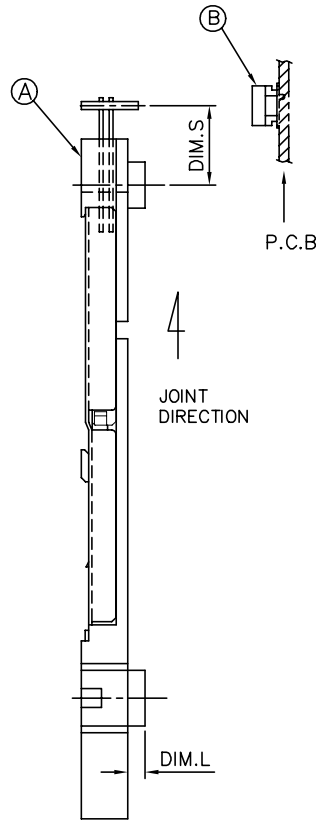
FCI CONFIDENTIAL

FCI  
FCIconnect.com

PRODUCT NO.  
88640-\*\*\*  
88640-\*\*\*LF



ABOVE P.C.B(P.C.B LAYOUT SEE PAGE 3,4)



BELOW P.C.B( P.C.B LAYOUT SEE PAGE 5,6)

mat'l. code		surface		tolerance		projection		product family	
		ISO 1302		ISO 406		ISO 1181		EJECTOR HEADER ASS'Y	
ltr ecn no dr date		tolerances unless otherwise specified		linear		MM		68POS. SMT TYP 1/2/3	
E	T90210	W	L	05/24/99	angles	±0.30		scale 1:1	
F	T04-0205	W	L	05/13/04	linear			dwg no 88640	
G	N05-0156	W	B	06/15/05	±2'			sheet 1 of 6 size A4	
H	N08-0099	MZ		12/11/07	dr	WENDY CHEN 12/19/95		type CUSTOMER Drawing	
J	ELX-N-011428	ZK		04/10/12	enr	JOSEPH HSIA 12/19/95			
					chr	JOSEPH HSIA 12/19/95			
					app	JENN TSAO 12/19/95			
sheet index	revision sheet	J	J	J	J	J	J		
		1	2	3	4	5	6		

FCI CONFIDENTIAL

FCI

This document is the property of and embodies CONFIDENTIAL and PROPRIETARY information of FCI. No part of this information shown on this document may be used in any way or disclosed to others without the written consent of FCI. Copyright FCI.

A

B

C

D

NOTES:

- P.C.B SIDE ARE AS APPEARS INSTALLED.
- MATERIAL
  - 2.1 HEADER ASS'Y :
    - PLASTIC :HOUSING ...HIGH TEMPERATURE THERMOPLASTIC UL94V-0 BLACK(ABOVE P.C.B)
    - ...HIGH TEMPERATURE THERMOPLASTIC UL94V-0 BLACK(BELOW P.C.B)
    - PIN :COPPER ALLOY
    - PCB : FR4
  - 2.2 EJECT MECHANISM ASS'Y :
    - PLASTIC :GUIDE:HIGH TEMPERATURE THERMOPLASTIC UL94V-0 BLACK
    - PLATE :STAINLESS
    - EMI CONTACT:PHOSPHOR BRONZE
- FINISH (PIN)
  - UNDER PLATING :0.5 um MIN. Ni
  - 1.27um Ni (ONLY FOR 88640-051LF)
  - CONTACT AREA :0.076 um MIN. GOLD
  - SOLDER TAIL : 2.5 um MIN. Sn-Pb
  - : 2.5 um MIN. PURE Sn (FOR -\*\*\*\*LF)
- DIM "X"
 

4.25±0.1	3.5±0.1	5.0±0.1
OTHERS	36,67	1,17,34,35,51,68
- DO NOT TOUCH AND KEEP CLEAN THE SURFACES OF P.C.B OF HEADER.
- ADD "H" TO PART NUMBER FOR OPTIONAL HOLD DOWN (4 PER ASSEMBLY IN EJECT MECHANISM AND HEADER)
- IF LEAD FREE P.N.THE HOUSING WILL WITHSTAND EXPOSURE TO 260°C PEAK TEMPERATURE FOR 10 SECONDS IN A WAVE SOLDER APPLICATION WITH A 1.00MM MINIMUM THICK CIRCUIT BOARD.
- IF LEAD FREE P/N.THE PRODUCT MEETS EUROPEAN UNION DIRECTIVES AND OTHER COUNTRY REGULATIONS AS DESCRIBED IN GS-22-008
- LEAD FREE P/N PACKAGING MEETS GS-14-920 SPECIFICATION
- PRODUCT SPEC:110-263

A

B

C

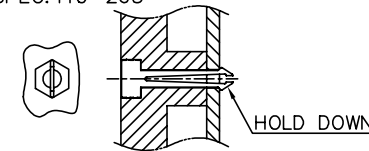
D

BELOW	0	88640-155/155LF	91931-31169 91931-31169LF	6.55	NO	LAYOUT 6-1
	5	88640-150/150LF		-0.3	YES	LAYOUT 6-2
	0	88640-145/145LF		6.55	NO	LAYOUT 6-1
	4.3	88640-143/143LF		-0.3	YES	LAYOUT 6-2
	0	88640-125/125LF		9.0	NO	LAYOUT 5-1
	2.2	88640-122/122LF		2.15	YES	LAYOUT 5-2
	0	88640-100/100LF		10.0	NO	LAYOUT 4
ABOVE	0	88640-055/055LF	91931-31169 91931-31169LF	6.55	NO	LAYOUT 3-1
	5	88640-050H/050HLF		-0.3	YES	LAYOUT 3-2
	5	88640-050/050LF		-0.3	YES	LAYOUT 3-2
	5	88640-051/051LF		-0.3	YES	LAYOUT 3-2
	0	88640-045/045LF		6.55	NO	LAYOUT 3-1
	4.3	88640-043/043LF		-0.3	YES	LAYOUT 3-2
	0	88640-025/025LF		9.0	NO	LAYOUT 2-1
	2.2	88640-022/022LF		2.15	YES	LAYOUT 2-2
	0	88640-000/000LF		10.0	NO	LAYOUT 1
P.C.B. SIDE ①	DIM. L	Ⓐ EJECT HEADER ASS'Y	Ⓑ CONAN RECEPTACLE	DIM.S	CAN BE USED FOR SINGLE DECK	P.C.B LAYOUT

ORDERING INFORMATION

NAME	PART NO.	Q'TY
Ⓐ EJECT HEADER ASS'Y	88640-XXXX	1
Ⓑ MATING RECEPTACLE	91931-31169	1

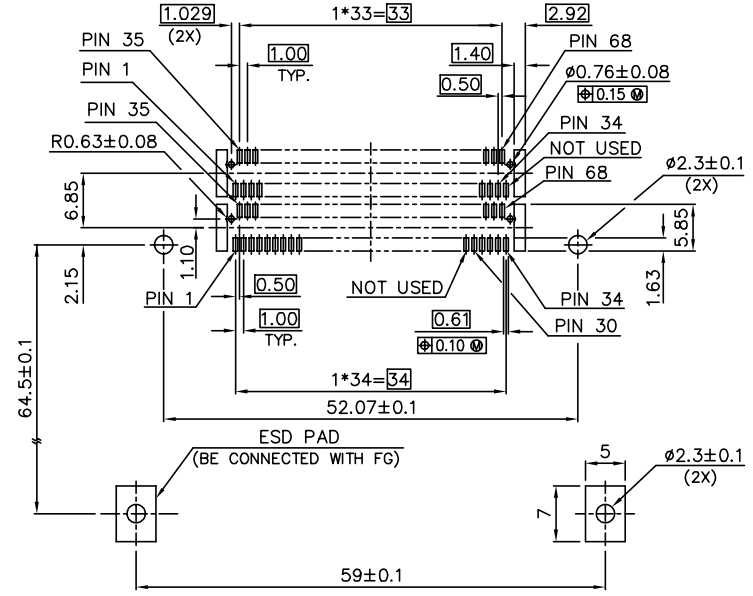
NAME	PART NO.	Q'TY
Ⓐ EJECT HEADER ASS'Y	88640-XXXXLF	1
Ⓑ MATING RECEPTACLE	91931-31169LF	1



mat'l. code	surface ISO 1302	tolerance ISO 406 ISO 1101	projection ISO 1101	product family
ltr	ecn	no	dr	date
tolerances unless otherwise specified				title
J	angles	linear	±0.30	MM
	±2'			scale 1:1
dr	WENDY CHEN	12/19/95		
enr	JOSEPH HSIA	12/19/95		
chr	JOSEPH HSIA	12/19/95		
app	JENN TSAO	12/19/95		
sheet index	revision sheet			
EJECTOR HEADER ASS'Y 68POS. SMT TYP 1/2/3				dwg no 88640
type CUSTOMER				sheet 2 of 6 size A4
Drawing				

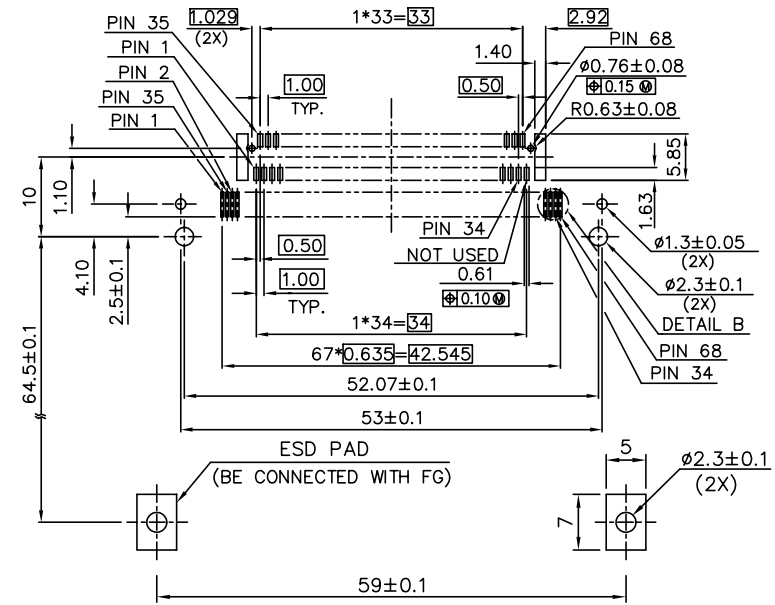
FCI CONFIDENTIAL

USED FOR 88640-022 WITH 88640-025  
 USED FOR 88640-022LF WITH 88640-025LF



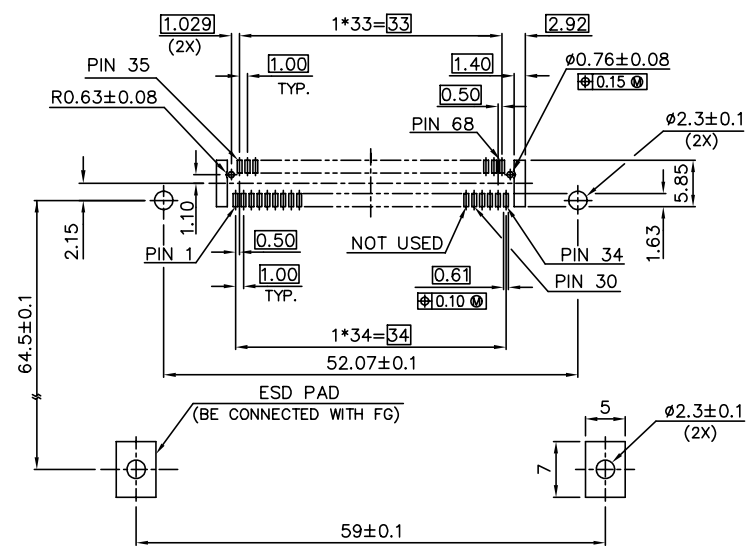
RECOMMENDED P.C.B. LAYOUT 2-1(MOUNTED SIDE)

USED FOR 88640-000 WITH 92789-002  
 USED FOR 88640-000LF WITH 92789-002LF

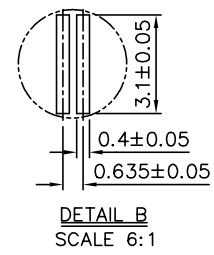


RECOMMENDED P.C.B. LAYOUT 1 (MOUNTED SIDE)

USED FOR 88640-022 /022LF



RECOMMENDED P.C.B. LAYOUT 2-2(MOUNTED SIDE)



mat'l. code		surface		tolerance		projection		product family	
		ISO 1302		ISO 406 ISO 1181		1181			
ltr ecn no dr date		tolerances unless otherwise specified							
J		angles		linear ± 0.30		MM		EJECTOR HEADER ASS'Y 68POS. SMT TYP 1/2/3	
		±2'				SCALE 1:4:1		dwg no sheet 3 of 6 size	
		dr WENDY CHEN 12/19/95		enr JOSEPH HSIA 12/19/95		chr JOSEPH HSIA 12/19/95		88640 A4	
		app JENN TSAO 12/19/95		type CUSTOMER		Drawing			
sheet index		revision sheet							

This document is the property of and embodies CONFIDENTIAL and PROPRIETARY information of FCI. No part of this information shown on this document may be used in any way or disclosed to others without the written consent of FCI. Copyright FCI.

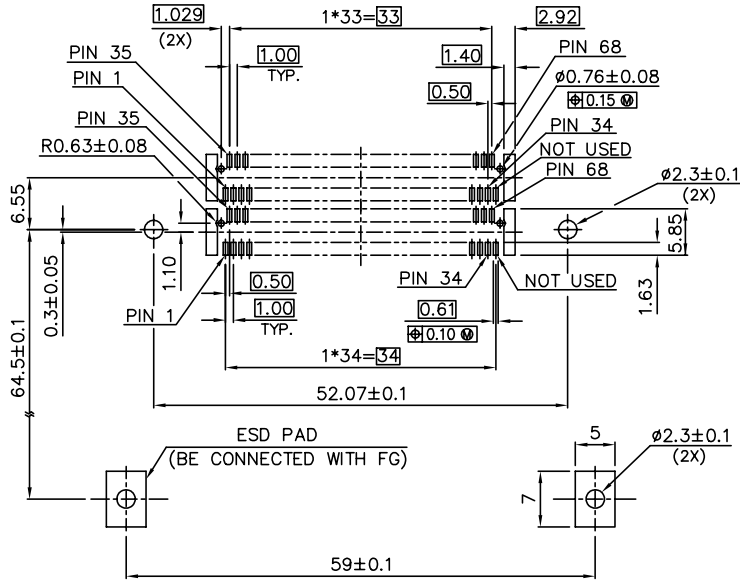
FCI CONFIDENTIAL

USED FOR 88640-043 WITH 88640-045  
 USED FOR 88640-050 WITH 88640-055

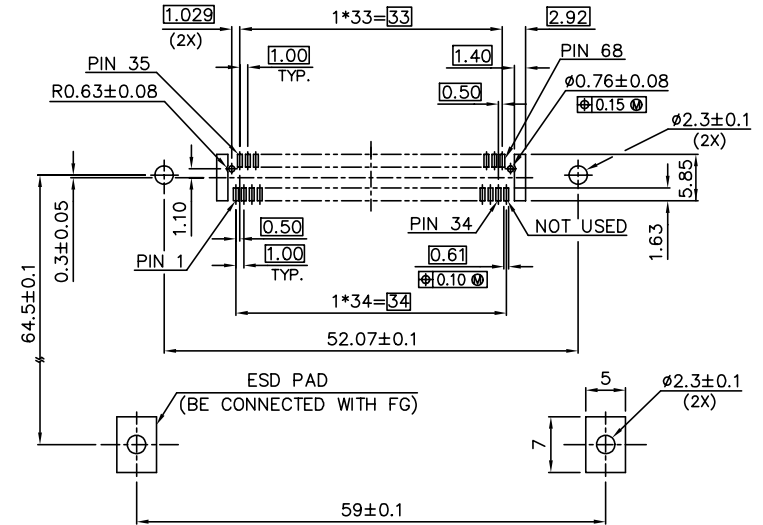
USED FOR 88640-043LF WITH 88640-045LF  
 USED FOR 88640-050LF WITH 88640-055LF

USED FOR 88640-043  
 USED FOR 88640-050  
 USED FOR 88640-051  
 USED FOR 88640-050H

USED FOR 88640-043LF  
 USED FOR 88640-050LF  
 USED FOR 88640-051LF  
 USED FOR 88640-050HLF



RECOMMENDED P.C.B. LAYOUT 3-1 (MOUNTED SIDE)



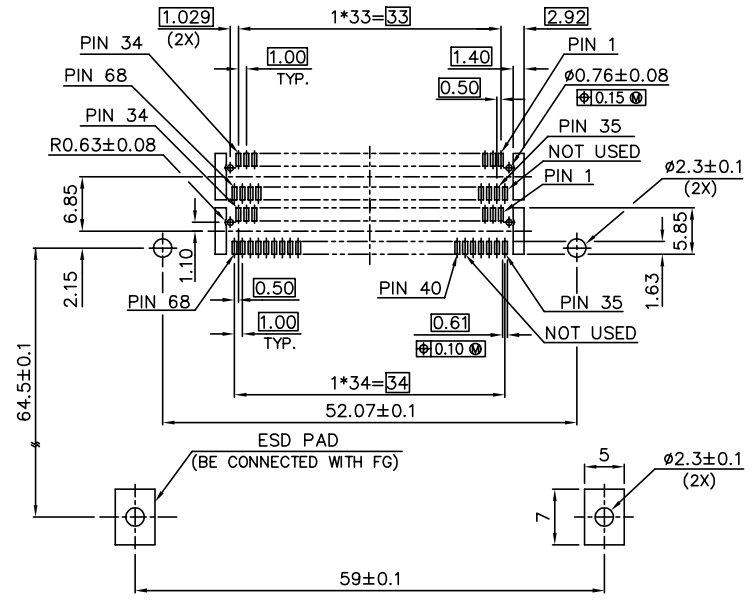
RECOMMENDED P.C.B. LAYOUT 3-2 (MOUNTED SIDE)

This document is the property of and embodies CONFIDENTIAL and PROPRIETARY information of FCI. No part of this information shown on this document may be used in any way or disclosed to others without the written consent of FCI. Copyright FCI.

mat'l. code		surface		tolerance		projection		product family	
		ISO 1302		ISO 406 ISO 1181		1.0		EJECTOR HEADER ASS'Y	
ltr ecn no dr date		tolerances unless otherwise specified		linear ± 0.30		MM		68POS. SMT TYP 1/2/3	
J		angles		±2'		scale 1.5:1		dwg no sheet 4 of 6 size	
		dr		WENDY CHEN 12/19/95		FCI		88640 A4	
		enrg		JOSEPH HSIA 12/19/95					
		chr		JOSEPH HSIA 12/19/95					
		appd		JENN TSAO 12/19/95				type CUSTOMER Drawing	
sheet index		revision sheet							

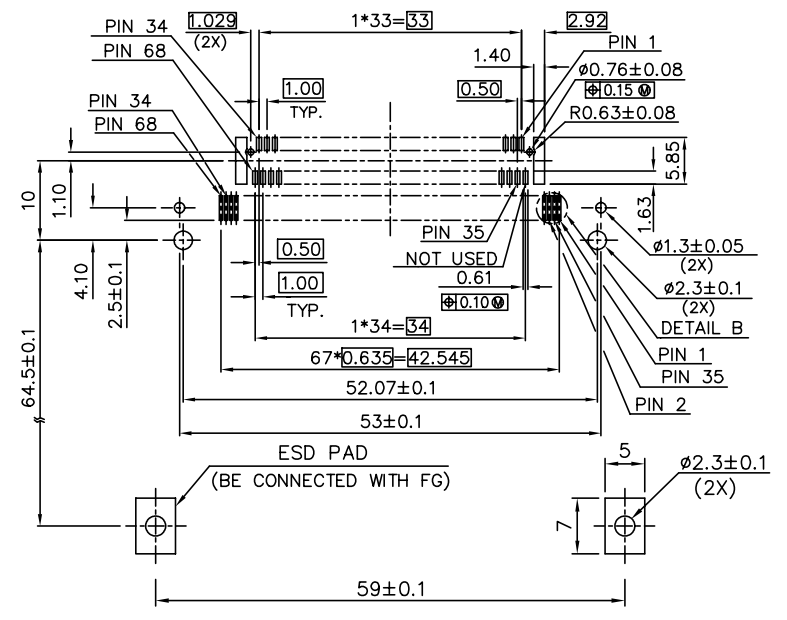
FCI CONFIDENTIAL

USED FOR 88640-122 WITH 88640-125  
 USED FOR 88640-122LF WITH 88640-125LF



RECOMMENDED P.C.B. LAYOUT 5-1 (MOUNTED SIDE)

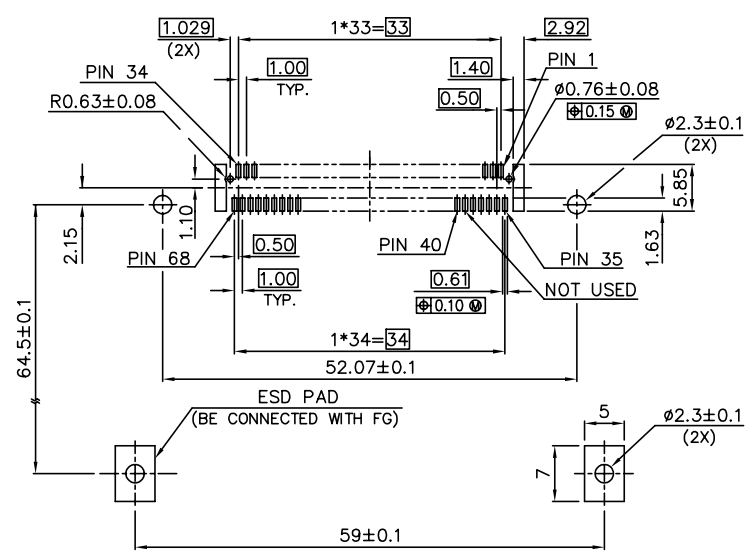
USED FOR 88640-100 WITH 92789-502  
 USED FOR 88640-100LF WITH 92789-502LF



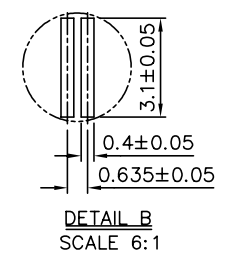
RECOMMENDED P.C.B. LAYOUT 4 (MOUNTED SIDE)

FCI CONFIDENTIAL and PROPRIETARY information of FCI. No part of this information shown on this document may be used in any way or disclosed to others without the written consent of FCI. Copyright FCI.

USED FOR 88640-122/122LF



RECOMMENDED P.C.B. LAYOUT 5-2 (MOUNTED SIDE)



mat'l. code		surface		tolerance		projection		product family	
		ISD 1302		ISD 406 ISD 1181				EJECTOR HEADER ASS'Y	
tr		ecn		nadr		date		tolerances unless otherwise specified	
J				angles		linear ± 0.30		EJECTOR HEADER ASS'Y	
				±2'		MM		68POS. SMT TYP 1/2/3	
		dr		WENDY CHEN		12/19/95		dwg no	
		engr		JOSEPH HSIA		12/19/95		sheet 5 of 6	
		chr		JOSEPH HSIA		12/19/95		size	
		appd		JENN TSAO		12/19/95		A4	
								type CUSTOMER Drawing	
sheet index		revision sheet							

FCI CONFIDENTIAL

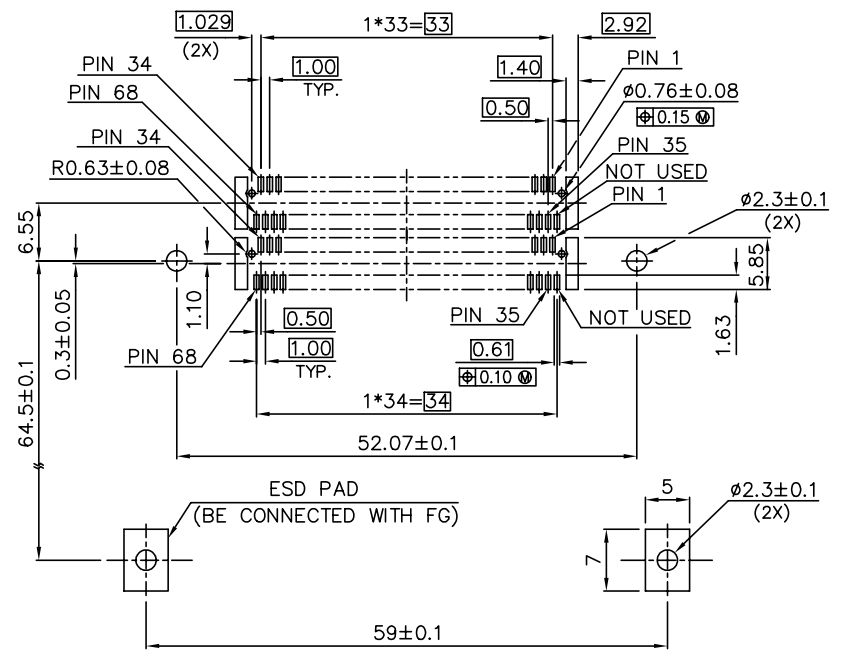


This document is the property of and embodies CONFIDENTIAL and PROPRIETARY information of FCI. No part of this information shown on this document may be used in any way or disclosed to others without the written consent of FCI.  
Copyright FCI.

Form: A3

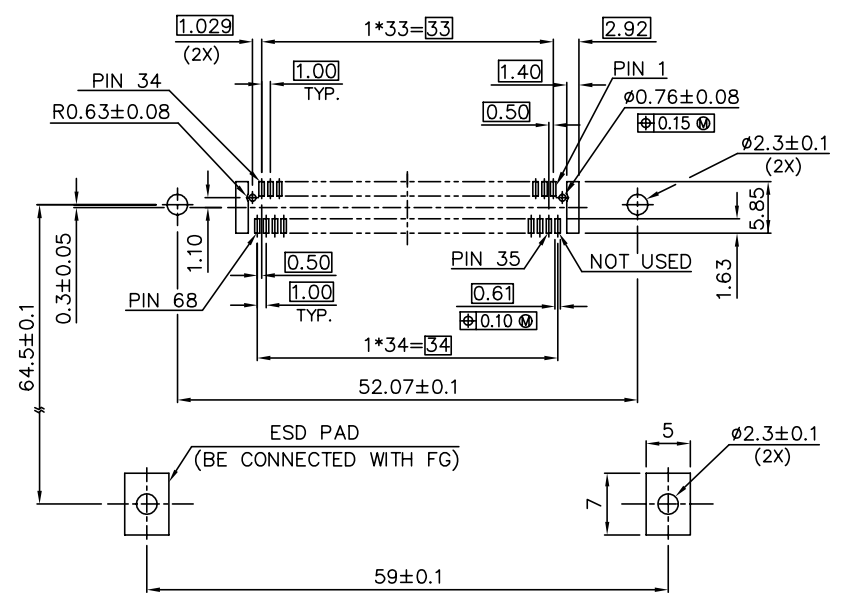
USED FOR 88640-143 WITH 88640-145  
USED FOR 88640-150 WITH 88640-155

USED FOR 88640-143LF WITH 88640-145LF  
USED FOR 88640-150LF WITH 88640-155LF



RECOMMENDED P.C.B. LAYOUT 6-1 (MOUNTED SIDE)

USED FOR 88640-143  
USED FOR 88640-150  
USED FOR 88640-143LF  
USED FOR 88640-150LF



RECOMMENDED P.C.B. LAYOUT 6-2 (MOUNTED SIDE)

mat'l. code	surface	tolerance	projection	product family
	ISO 1302	ISO 406 ISO 1101	1:1	
tr	ec	no	dr	date
J				
tolerances unless otherwise specified				title
angles				linear ± 0.30
±2'				MM
				scale 1.5 : 1
dr	WENDY CHEN	12/19/95		
enr	JOSEPH HSIA	12/19/95		
chr	JOSEPH HSIA	12/19/95		
app	JENN TSAO	12/19/95		
sheet index	revision sheet		dwg no	sheet 6 of 6 size
			88640	A4
			type	CUSTOMER Drawing