

阅读申明

- 1.本站收集的数据手册和产品资料都来自互联网，版权归原作者所有。如读者和版权方有任何异议请及时告之，我们将妥善解决。
- 2.本站提供的中文数据手册是英文数据手册的中文翻译，其目的是协助用户阅读，该译文无法自动跟随原稿更新，同时也可能存在翻译上的不当。建议读者以英文原稿为参考以便获得更精准的信息。
- 3.本站提供的产品资料，来自厂商的技术支持或者使用者的心得体会等，其内容可能存在描述上的差异，建议读者做出适当判断。
- 4.如需与我们联系，请发邮件到marketing@iczoom.com，主题请标有“数据手册”字样。

Read Statement

1. The datasheets and other product information on the site are all from network reference or other public materials, and the copyright belongs to the original author and original published source. If readers and copyright owners have any objections, please contact us and we will deal with it in a timely manner.
2. The Chinese datasheets provided on the website is a Chinese translation of the English datasheets. Its purpose is for reader's learning exchange only and do not involve commercial purposes. The translation cannot be automatically updated with the original manuscript, and there may also be improper translations. Readers are advised to use the English manuscript as a reference for more accurate information.
3. All product information provided on the website refer to solutions from manufacturers' technical support or users the contents may have differences in description, and readers are advised to take the original article as the standard.
4. If you have any questions, please contact us at marketing@iczoom.com and mark the subject with "Datasheets" .

SOURIAU's RJ45 offer



Description

Intended for high speed Ethernet connection, **UTO & UTS connectors** with RJ45 cordset can be assembled in **less than 1 minute**. They use **any standard RJ45 cable** and do not need special tools for assembly or disassembly.

Applications

UTO & UTS RJ45 connectors can be used in harsh environments, including applications such as:

- Data acquisition & download
- Networks interconnections
- Robotics
- Factory automation

Benefits

A universal solution

- Use of any pre-wired RJ45 cordset

Easy to use & to assemble/disassemble Perfect for field installations

- NO tool for assembly or disassembly
- NO cabling procedure required

Vibration-proof

- No fragile parts

A cat5e Ethernet solution

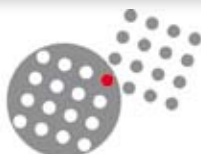
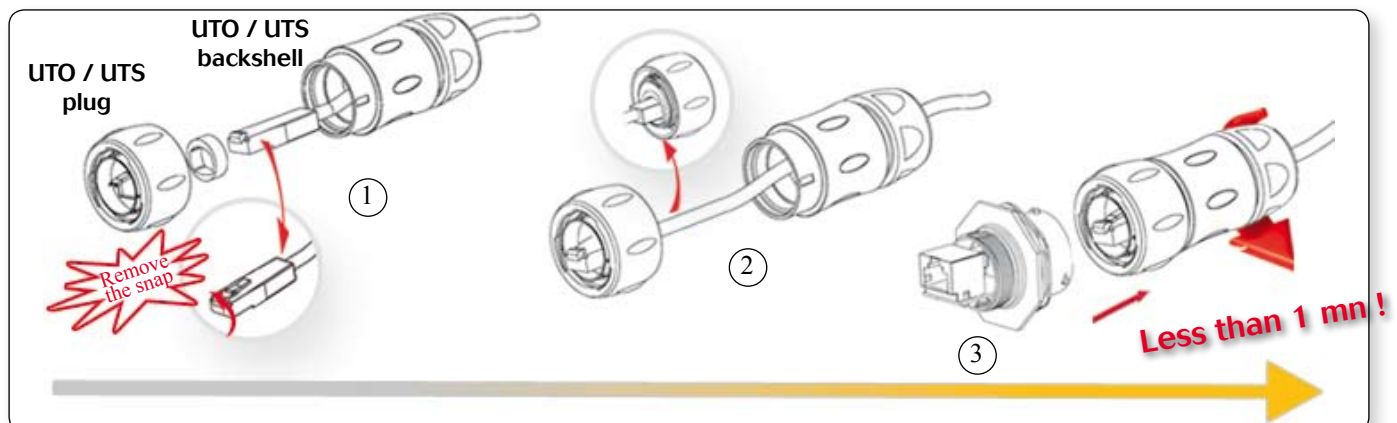
- Cat5e per TIA/EIA & class D per ISO/IEC 11801
- 10 BaseT, 100 Base TX, 1000 BaseT networks

RoHS compliant

- Respect for environment

SOURIAU's Offer

- Available in shell size 18
- Plug with male RJ45 cordset & receptacle with female RJ45 cordset
- Receptacles available: Square flange (metallic) & Jam nut (metallic or plastic)



SOURIAU
Connection Technology



UTO RJ45

Technical characteristics

Mechanical

- Durability 500 matings & unmatings

Electrical

- Connection category RJ45
- Cat5e per TIA/EIA 568C and class D per ISO/IEC 11801

Environmental

- Operating temperature -40°C to + 105°C
- Sealing (mated) IP68/69K*
- Salt spray resistance
 - 48 hours - standard version
 - 96 hours - black anodized version
 - 200/500 hours upon request

Material

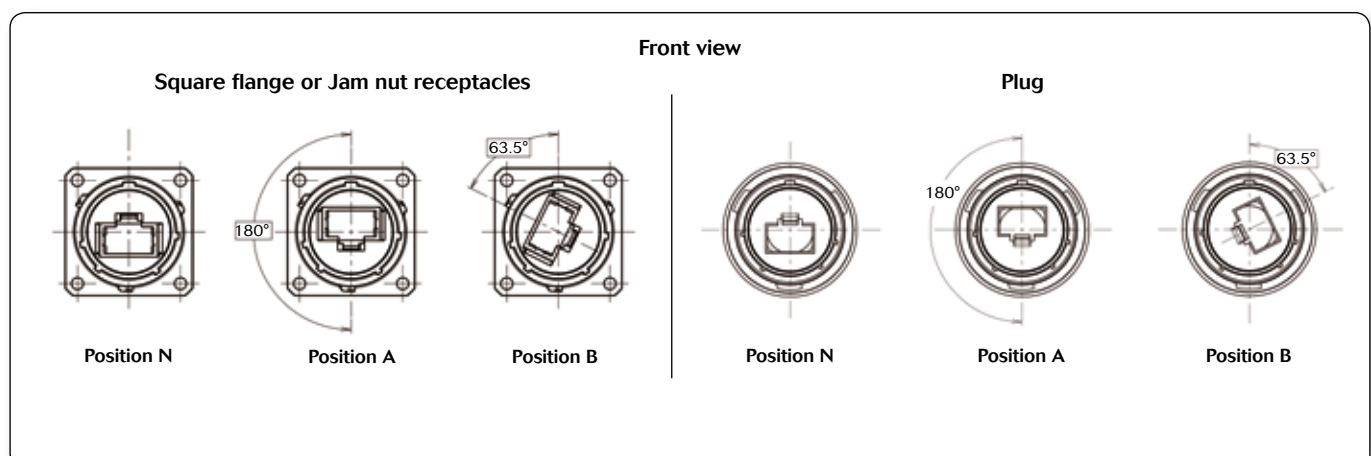
- Connectors Zinc alloy
 - Backshell & cable glands Brass
 - Coupling ring Aluminium alloy
 - Coupling spring Spring stainless steel
 - Seal gasket Silicone
 - Insert Thermoplast UL94-V0
 - Plating Nickel (48 hr salt spray)
Black anodized (96 hr salt spray)
- RoHS compliant & conform to the Chinese standard SJ/T 1166-2006 (Chinese RoHS equivalent)



Ordering information

Type		UTO	0	18	RJF	N	-	-
		UTO	6	18	RJ	N	P	-
Body variation	0 Square flange receptacle 6 Cable plug 7 Jam nut receptacle							
Shell size	18							
Insert	RJF: Feed Through (only receptacle) / RJ: Free insert to accept any RJ45 (only plug)							
Polarisation	N : Normal / A, B: Different orientations							
Cable gland	P: Plastic (only for plug)							
Plating	- : Nickel plating (= standard 48 hr salt spray) O1 (only jam nut): Nickel plating but black anodized jam nut (96 hr salt spray) O2 (only plug): Nickel plating but black anodized coupling ring (96 hr salt spray)							

Insert rotation



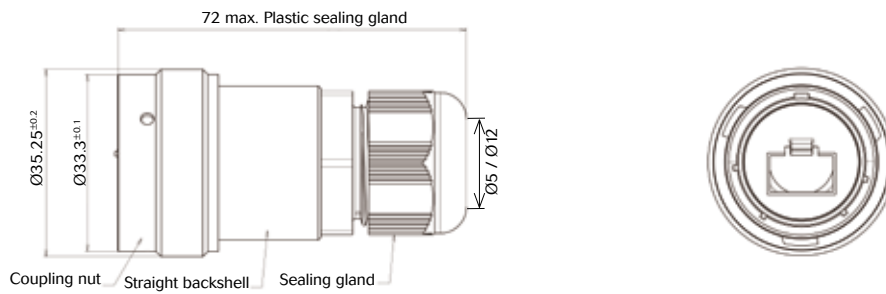
Note : all dimensions are in mm / * subject to a cylinder-shaped and non-convertible cordset



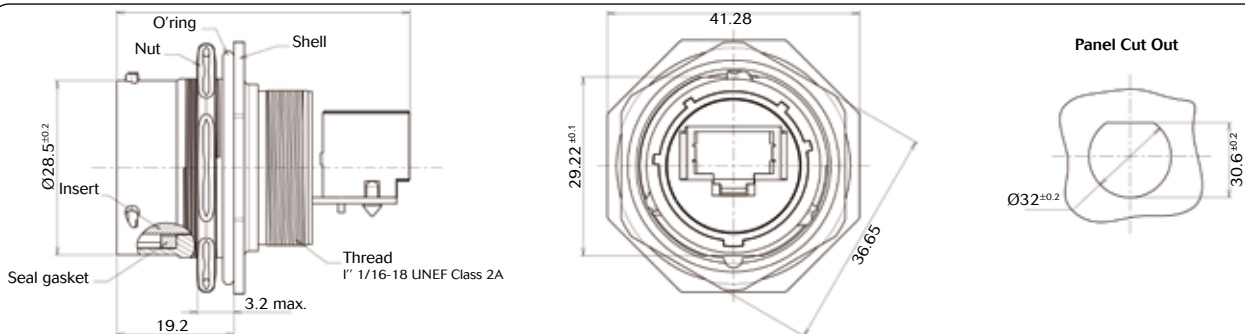
UTO RJ45

Range presentation

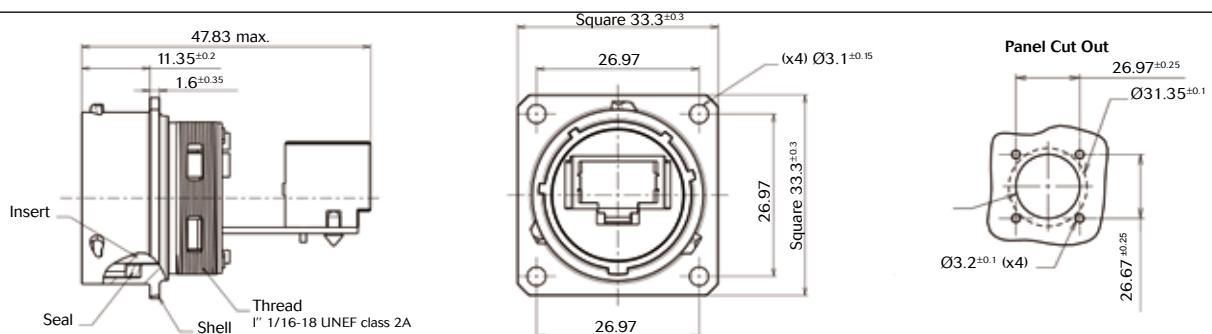
Plug



Jam nut receptacle



Square flange receptacle





UTS RJ45

Technical characteristics

Mechanical

- Durability 250 matings & unmatings

Electrical

- Connection category RJ45
- Cat5e per TIA/EIA 568C and class D per ISO/IEC 11801

Environmental

- Operating temperature -40°C to + 105°C
- Flammability rating UL94V0
- Sealing (mated) IP68/69K*
- Salt spray resistance 500 hours

Material

- Connectors + Backshells Thermoplastic
- Nut Metal
- RoHS compliant & conform to the Chinese standard SJ/T 1166-2006 (Chinese RoHS equivalent)

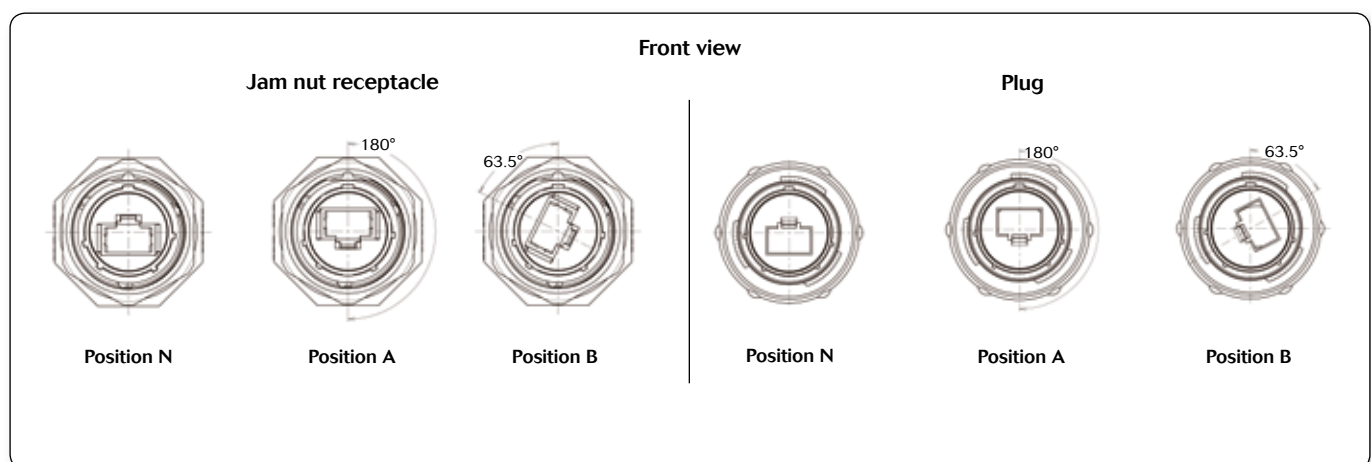


Ordering information

Type		UTS	7	-	18	RJF	N	-
		UTS	6	JC	18	RJ	N	25
Body variation	6 Cable plug 7 Jam nut receptacle							
Backshell*	JC Easy handling plastic backshell (only for plug)							
Shell size	18							
Insert	RJF: Feed Through (only receptacle) / RJ: Free insert to accept any RJ45 (only plug)							
Polarisation	N : Normal / A, B: Different orientations							
Mandatory suffix	25 (only for plug)							

* Short backshell on request

Insert rotation

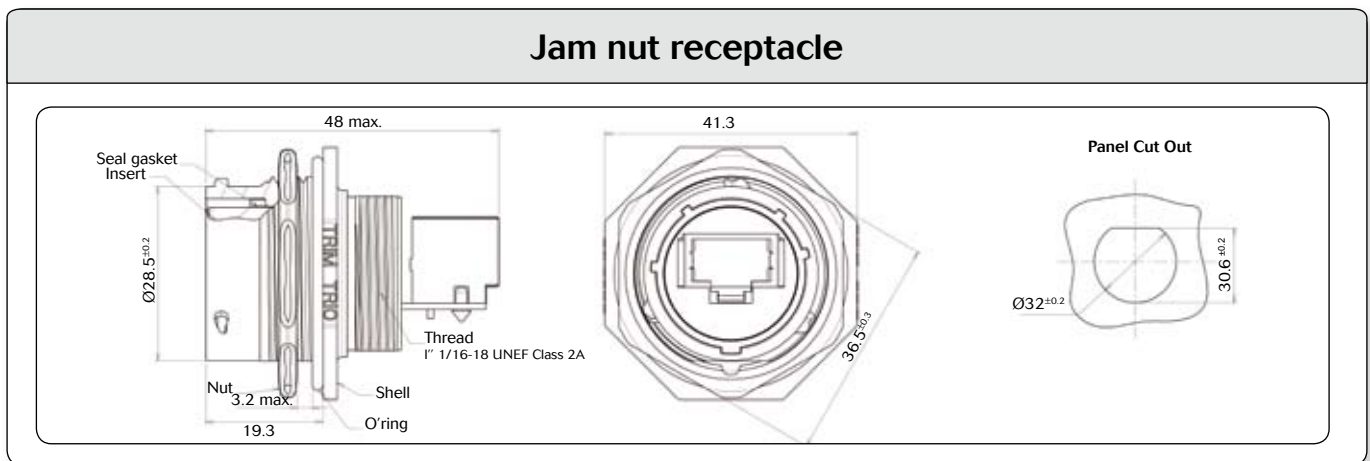
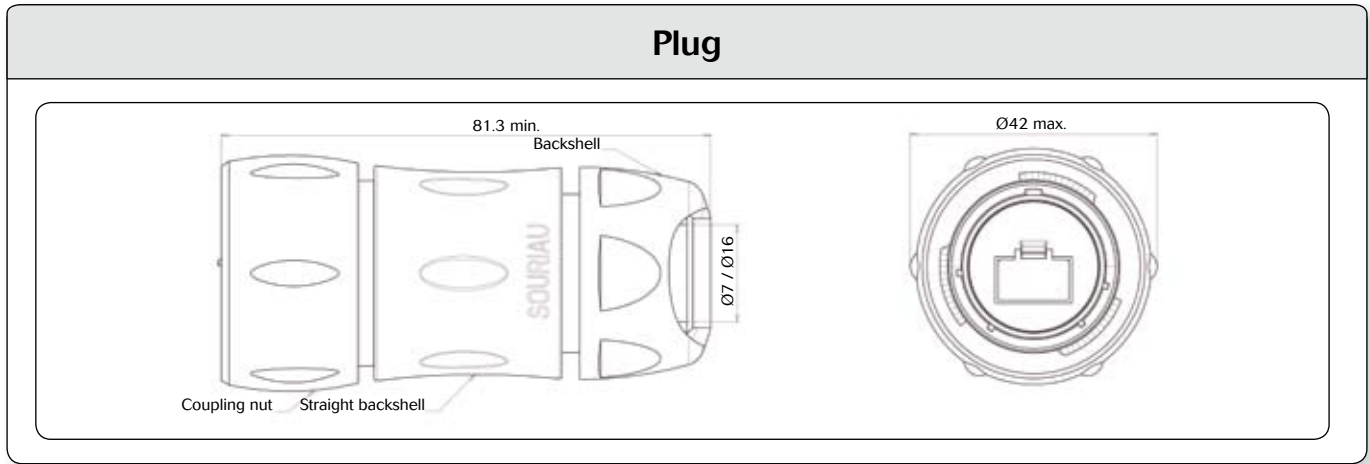


Note : all dimensions are in mm / * subject to a cylinder-shaped and non-convertible cordet



UTS RJ45

Range presentation



For further information, visit our website www.souriau-industrial.com
or contact us at contactindustry@souriau.com

Note : all dimensions are in mm