

阅读申明

- 1.本站收集的数据手册和产品资料都来自互联网，版权归原作者所有。如读者和版权方有任何异议请及时告之，我们将妥善解决。
- 2.本站提供的中文数据手册是英文数据手册的中文翻译，其目的是协助用户阅读，该译文无法自动跟随原稿更新，同时也可能存在翻译上的不当。建议读者以英文原稿为参考以便获得更精准的信息。
- 3.本站提供的产品资料，来自厂商的技术支持或者使用者的心得体会等，其内容可能存在描述上的差异，建议读者做出适当判断。
- 4.如需与我们联系，请发邮件到marketing@iczoom.com，主题请标有“数据手册”字样。

Read Statement

1. The datasheets and other product information on the site are all from network reference or other public materials, and the copyright belongs to the original author and original published source. If readers and copyright owners have any objections, please contact us and we will deal with it in a timely manner.
2. The Chinese datasheets provided on the website is a Chinese translation of the English datasheets. Its purpose is for reader's learning exchange only and do not involve commercial purposes. The translation cannot be automatically updated with the original manuscript, and there may also be improper translations. Readers are advised to use the English manuscript as a reference for more accurate information.
3. All product information provided on the website refer to solutions from manufacturers' technical support or users the contents may have differences in description, and readers are advised to take the original article as the standard.
4. If you have any questions, please contact us at marketing@iczoom.com and mark the subject with "Datasheets" .

THE INFORMATION CONTAINED HEREIN IS CONSIDERED "PROPRIETARY" TO BEL FUSE INC. AND SHALL NOT BE COPIED, REPRODUCED OR DISCLOSED WITHOUT THE WRITTEN APPROVAL OF BEL FUSE INC.



DOCUMENT / PART NO.: SI-50184-F

TITLE : CMC, 1000BT, TAB UP, SHIELDED

| ISSUE | DESCRIPTION OF CHANGE | REVIEWED BY | APPROVED BY | ECN# |
|-------|---|-------------|--------------|-------|
| A0 | Use new format and change the mechanical drwaing number | Bain Liu | Steve Weller | 06326 |
| | | | | |
| | | | | |
| | | | | |
| | | | | |
| | | | | |
| | | | | |
| | | | | |
| | | | | |
| | | | | |
| | | | | |
| | | | | |
| | | | | |
| | | | | |
| | | | | |
| | | | | |
| | | | | |
| | | | | |
| | | | | |
| | | | | |
| | | | | |
| | | | | |
| | | | | |
| | | | | |

| | | | | | | | | | | | | | | | |
|-------------|-----|-----|-----|-----|-----|-----|-----|-----|-----|-----|-----|-----|-----|-------------------|-----|
| PAGE | 1 | 2 | 3 | 4 | --- | --- | --- | --- | --- | --- | --- | --- | --- | --- | --- |
| REV. | A0 | A0 | A0 | A0 | --- | --- | --- | --- | --- | --- | --- | --- | --- | --- | --- |
| PAGE | --- | --- | --- | --- | --- | --- | --- | --- | --- | --- | --- | --- | --- | C5045-F REV A0 | |
| REV. | --- | --- | --- | --- | --- | --- | --- | --- | --- | --- | --- | --- | --- | 24-0323-FQ REV A0 | |

THE INFORMATION CONTAINED HEREIN IS CONSIDERED "PROPRIETARY" TO BEL FUSE INC. AND SHALL NOT BE COPIED, REPRODUCED OR DISCLOSED WITHOUT THE WRITTEN APPROVAL OF BEL FUSE INC.



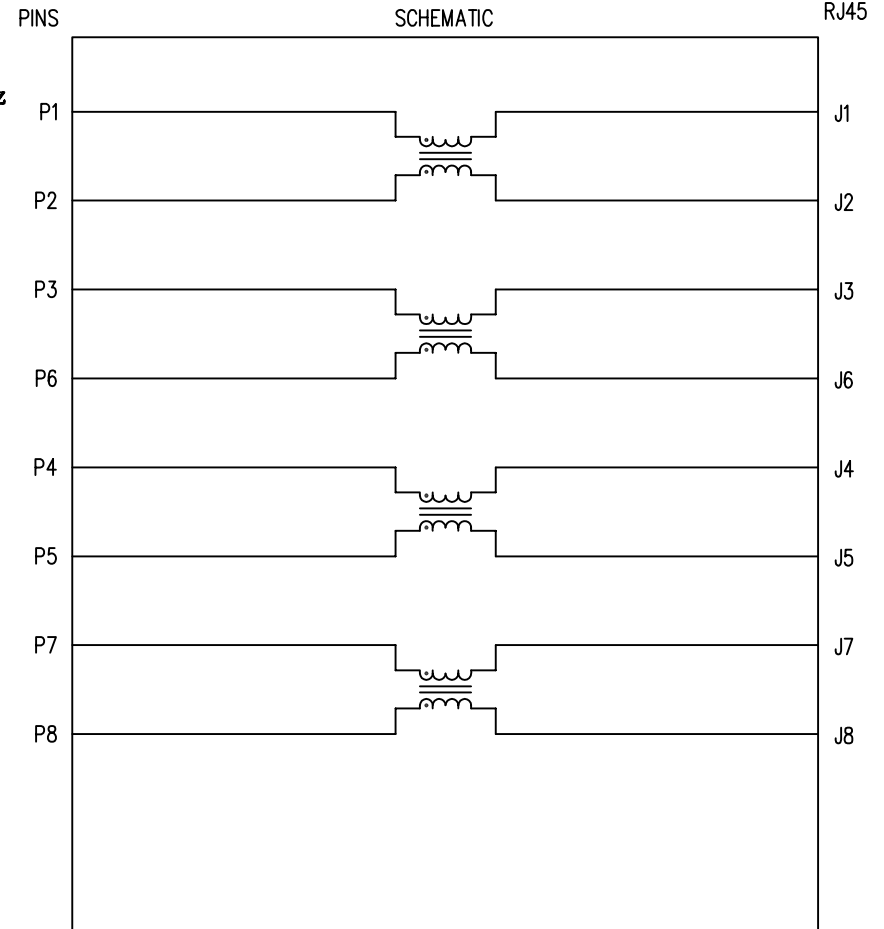
ELECTRICAL CHARACTERISTICS @ 25°C

1.0 INDUCTANCE: (P1-J1):(P3-J3):(P4-J4):(P7-J7) : 65 uH TYP @.05V, 100KHz

2.0 DC RESISTANCE: P8-J8 = P7-J7 : .5 OHM MAX
 P6-J6 = P3-J3 : .5 OHM MAX
 P5-J5 = P4-J4 : .5 OHM MAX
 P2-J2 = P1-J1 : .5 OHM MAX

3.0 COMMON MODE : CMA (-dB)

| FREQUENCY (MHz) | TYPICAL | MIN |
|-----------------|---------|-----|
| 1 | 8 | 5 |
| 5 | 17 | 15 |
| 20 | 23 | 15 |
| 70 | 25 | 20 |
| 200 | 22 | 17 |
| 500 | 11 | 6 |



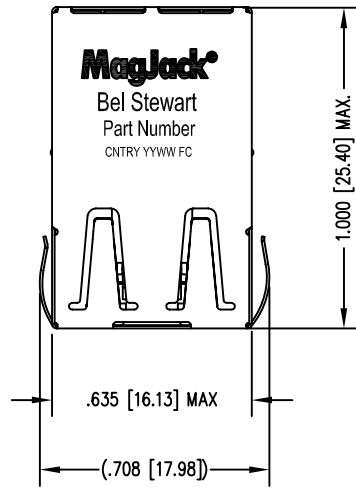
| | | |
|---------------|------------|--------------------------------------|
| ORIGINATED BY | DATE | TITLE |
| Jack Deng | 11-23-2009 | CMC, 1000BT, TAB UP, SHIELDED |
| DRAWN BY | DATE | |
| Jack Deng | 11-23-2009 | |

| | | |
|------------------------|---------------|------------------------------|
| PART NO. / DRAWING NO. | STANDARD DIM. | [] METRIC DIM. AS REFERENCE |
| SI-50184-F | TOL. IN INCH | UNIT : INCH [mm] |
| FILE NAME | .X | REV. : A0 |
| SI-50184-F.DWG | .XX | SCALE : N/A |
| | .XXX ±0.005 | SIZE : A4 |
| | | PAGE : 2 |

| | |
|--|--|
| | |
|--|--|

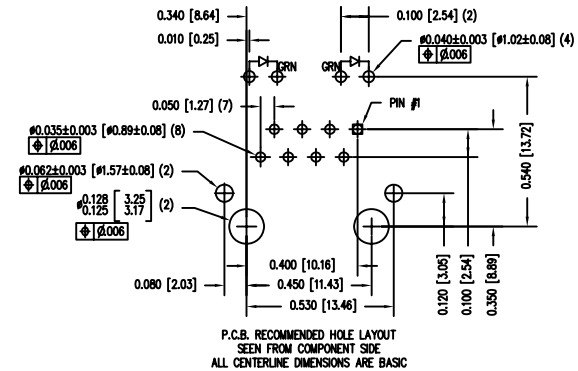
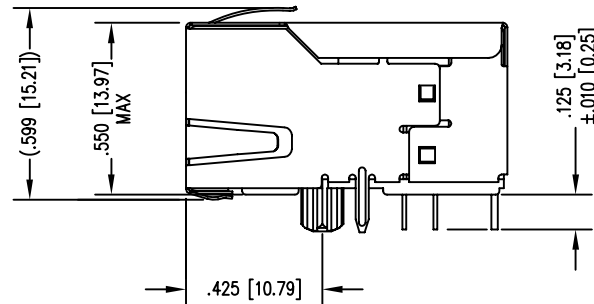
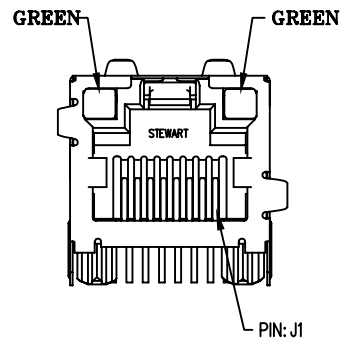


THE INFORMATION CONTAINED HEREIN IS CONSIDERED "PROPRIETARY" TO BEL FUSE INC. AND SHALL NOT BE COPIED, REPRODUCED OR DISCLOSED WITHOUT THE WRITTEN APPROVAL OF BEL FUSE INC.



| LED SPECIFICATION | | | |
|-------------------|------------|-------------------|-------|
| STANDARD LED | WAVELENGTH | * Forward V (MAX) | (TYP) |
| GREEN | 565 nm | 2.5 V | 2.2 V |

*WITH A FORWARD CURRENT OF 20 mA



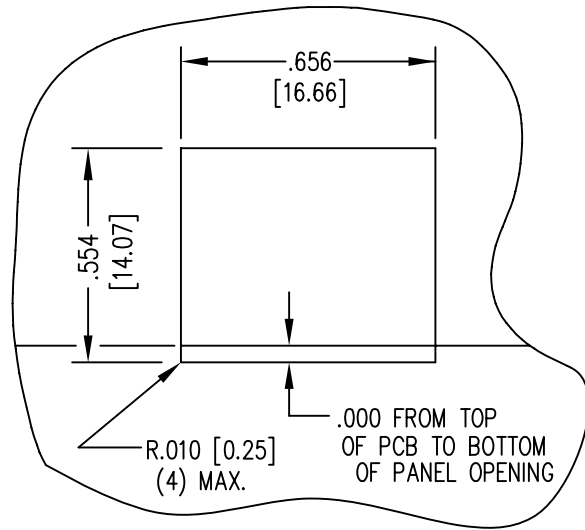
NOTES:

- CONNECTOR MATERIALS:
HOUSING: THERMOPLASTIC UL94 V-0
CONTACT/SHIELD: COPPER ALLOY
SHIELD PLATING: NICKEL OR TIN
CONTACT PLATING: SELECTIVE GOLD,
50 MICRO-INCHES MIN. IN CONTACT AREA.
- PIN NOT ELECTRICALLY CONNECTED MAYBE OMITTED.
SEE ELECTRICAL DRAWING FOR OMITTED PINS.
- TOLERANCES COMPLY WITH F.C.C. DIMENSION REQUIREMENTS.
- THE SUGGESTED PANEL OPENING IS INTENDED TO GIVE USER THE ABILITY TO HAVE REASONABLE JACK/PANEL CLEARANCES, YET MAINTAIN GROUNDING CAPABILITY.
- WAVE SOLDER COMPATIBLE - PREHEAT 125°C/90SECS.

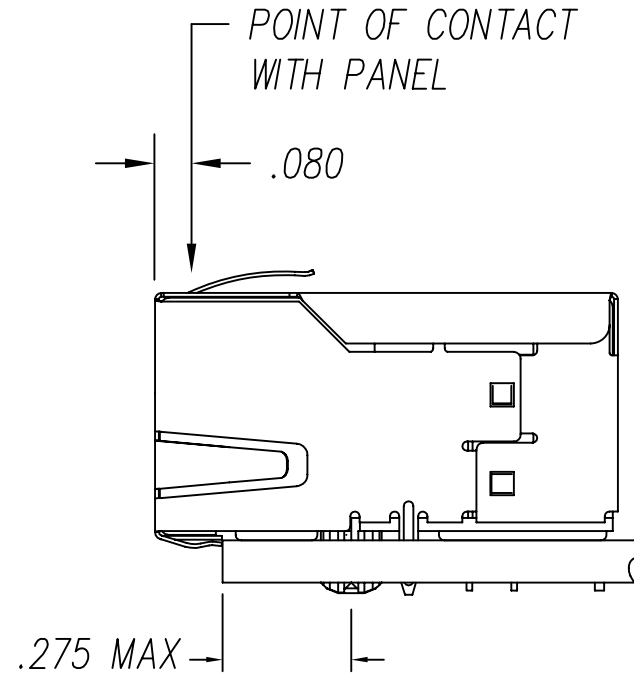
| | | | | | | | |
|---------------|------------|--|------------------------|----------------------------|------------------------------|---------------------------------------|-----------|
| ORIGINATED BY | DATE | TITLE | PART NO. / DRAWING NO. | STANDARD DIM. TOL. IN INCH | [] METRIC DIM. AS REFERENCE | COMPONENTS FOR A CONNECTED PLANET | |
| Jack Deng | 11-23-2009 | MagJack CMC, 1000BT, TAB UP, SHIELDED | SI-50184-F | .X | UNIT : INCH [mm] | | REV. : A0 |
| DRAWN BY | DATE | | FILE NAME | .XX | SCALE : N/A | | SIZE : A4 |
| Jack Deng | 11-23-2009 | | SI-50184-F.DWG | .XXX | ±0.005 | | PAGE : 3 |

THE INFORMATION CONTAINED HEREIN IS CONSIDERED "PROPRIETARY" TO BEL FUSE INC. AND SHALL NOT BE COPIED, REPRODUCED OR DISCLOSED WITHOUT THE WRITTEN APPROVAL OF BEL FUSE INC.

RoHS
2002/95/EC



SUGGESTED PANEL OPENING
(N.T.S.)



| | |
|---------------|------------|
| ORIGINATED BY | DATE |
| Jack Deng | 11-23-2009 |
| DRAWN BY | DATE |
| Jack Deng | 11-23-2009 |

| |
|--|
| TITLE |
| MagJack[®] CMC, 1000BT, TAB UP, SHIELDED |

| |
|------------------------|
| PART NO. / DRAWING NO. |
| SI-50184-F |
| FILE NAME |
| SI-50184-F.DWG |

| |
|----------------------------|
| STANDARD DIM. TOL. IN INCH |
| .X |
| .XX |
| .XXX ±0.005 |

| | |
|------------------------------|-----------|
| [] METRIC DIM. AS REFERENCE | REV. : A0 |
| UNIT : INCH [mm] | SIZE : A4 |
| SCALE : N/A | PAGE : 4 |

