

阅读申明

- 1.本站收集的数据手册和产品资料都来自互联网，版权归原作者所有。如读者和版权方有任何异议请及时告之，我们将妥善解决。
- 2.本站提供的中文数据手册是英文数据手册的中文翻译，其目的是协助用户阅读，该译文无法自动跟随原稿更新，同时也可能存在翻译上的不当。建议读者以英文原稿为参考以便获得更精准的信息。
- 3.本站提供的产品资料，来自厂商的技术支持或者使用者的心得体会等，其内容可能存在描述上的差异，建议读者做出适当判断。
- 4.如需与我们联系，请发邮件到marketing@iczoom.com，主题请标有“数据手册”字样。

Read Statement

1. The datasheets and other product information on the site are all from network reference or other public materials, and the copyright belongs to the original author and original published source. If readers and copyright owners have any objections, please contact us and we will deal with it in a timely manner.
2. The Chinese datasheets provided on the website is a Chinese translation of the English datasheets. Its purpose is for reader's learning exchange only and do not involve commercial purposes. The translation cannot be automatically updated with the original manuscript, and there may also be improper translations. Readers are advised to use the English manuscript as a reference for more accurate information.
3. All product information provided on the website refer to solutions from manufacturers' technical support or users the contents may have differences in description, and readers are advised to take the original article as the standard.
4. If you have any questions, please contact us at marketing@iczoom.com and mark the subject with "Datasheets" .

PULSEJACK™

1xN GangjackL



www.pulseeng.com

Description:

10/100 Base-TX RJ45 1xN Tab-DOWN with or without LEDs integrated magnetics connector (ICM) designed to support applications such as: SOHO (ADSL modems), LAN-on-Motherboard (LOM), Hub and Switches.



Features and Benefits:

- RoHS "NL" peak solder rating 260°C, non-RoHS peak solder rating 235°C
- For RoHS part, add suffix NL⁴
- RJ45 1xN, Tab-DOWN 8-pin with internal magnetics
- Options: 1x2, 1x4, 1x6, and 1x8 for 10/100 Base-TX
- Available with and without LEDs
- Suitable for CAT 5 and 6 Fast Ethernet cable or better UTP
- Internal magnetics: 100% electrically tested for HI-POT & functionality

Electrical Performance Summary:

- Internal magnetics options available
- Meets IEEE 802.3 specification
- 350µH minimum OCL with 8mA bias current
- High performance for maximum EMI suppression
- Minimum 1500Vrms isolation per IEEE 802.3 requirement

Electrical Specifications @ 25°C — Operating Temperature 0°C to +70°C

| Part Number* (Number of Ports) | RoHS ⁴ | Turns ^{1,2} Ratios | | Tab Option | LEDs ³ L/R | Insertion Loss TX/RX (dB TYP) | Return Loss (dB TYP) 100 Ω (±15 Ω) | | | | Crosstalk (dB TYP) | | | Common Mode Rejection (dB TYP) | | Hipot (MIN) @ 60 Hz 1 MIN |
|-----------------------------------|-------------------|--------------------------------|---------|---------------|--------------------------|--|--|-----------|--------------|-------------|-----------------------|---------------|-------------|--------------------------------------|-----------|------------------------------------|
| | | TX | RX | | | | 1-10 MHz | 30 MHz | 60-80 MHz | 1-10 MHz | 30-60 MHz | 60-100 MHz | 1-50 MHz | 50-130 MHz | | |
| J8064D628A (1x2) | 5 | 1CT:1CT | 1CT:1CT | DOWN | G/Y | -1.0 | -20 | -16 | -12 | -40 | -35 | -30 | -30 | -20 | 1500 Vrms | |
| J8064D648A (1x4) | NL | 1CT:1CT | 1CT:1CT | DOWN | G/Y | -1.0 | -20 | -16 | -12 | -40 | -35 | -30 | -30 | -20 | 1500 Vrms | |
| J8064D668A (1x6) | 5 | 1CT:1CT | 1CT:1CT | DOWN | G/Y | -1.0 | -20 | -16 | -12 | -40 | -35 | -30 | -30 | -20 | 1500 Vrms | |
| J8064D688A (1x8) | 5 | 1CT:1CT | 1CT:1CT | DOWN | G/Y | -1.0 | -20 | -16 | -12 | -40 | -35 | -30 | -30 | -20 | 1500 Vrms | |
| J8064E62 (1x2) | 5 | 1CT:1CT | 1CT:1CT | DOWN | — | -1.0 | -20 | -16 | -12 | -40 | -35 | -30 | -30 | -20 | 1500 Vrms | |
| J8064E64 (1x4) | 5 | 1CT:1CT | 1CT:1CT | DOWN | — | -1.0 | -20 | -16 | -12 | -40 | -35 | -30 | -30 | -20 | 1500 Vrms | |
| J8064E66 (1x6) | 5 | 1CT:1CT | 1CT:1CT | DOWN | — | -1.0 | -20 | -16 | -12 | -40 | -35 | -30 | -30 | -20 | 1500 Vrms | |
| J8064E68 (1x8) | 5 | 1CT:1CT | 1CT:1CT | DOWN | — | -1.0 | -20 | -16 | -12 | -40 | -35 | -30 | -30 | -20 | 1500 Vrms | |

NOTES:

1. Both transmit and receive channels meet IEEE 802.3 specifications.
2. Different electrical and mechanical specifications can be accommodated. Contact Pulse Applications Engineering.
3. LEDs Left/Right: G = green; Y = yellow; "—" = none. Other LED options by request.
4. Add suffix "NL" for RoHS compliant parts (e.g. J8064D648A changes to J8064D648ANL).
5. Contact Pulse for RoHS compliant part availability.

RJ45 Durability Testing Rating

| Part Number | Mating Force (MAX) | Unmating Force (MAX) | Durability | Plug to Jack Retention (MIN) |
|-------------|-----------------------|-------------------------|----------------|---------------------------------|
| J8 Series | 5 lbs./2.268 kgs. | 5 lbs./2.268 kgs. | 750 Insertions | 20 lbs./9.072 kgs. |

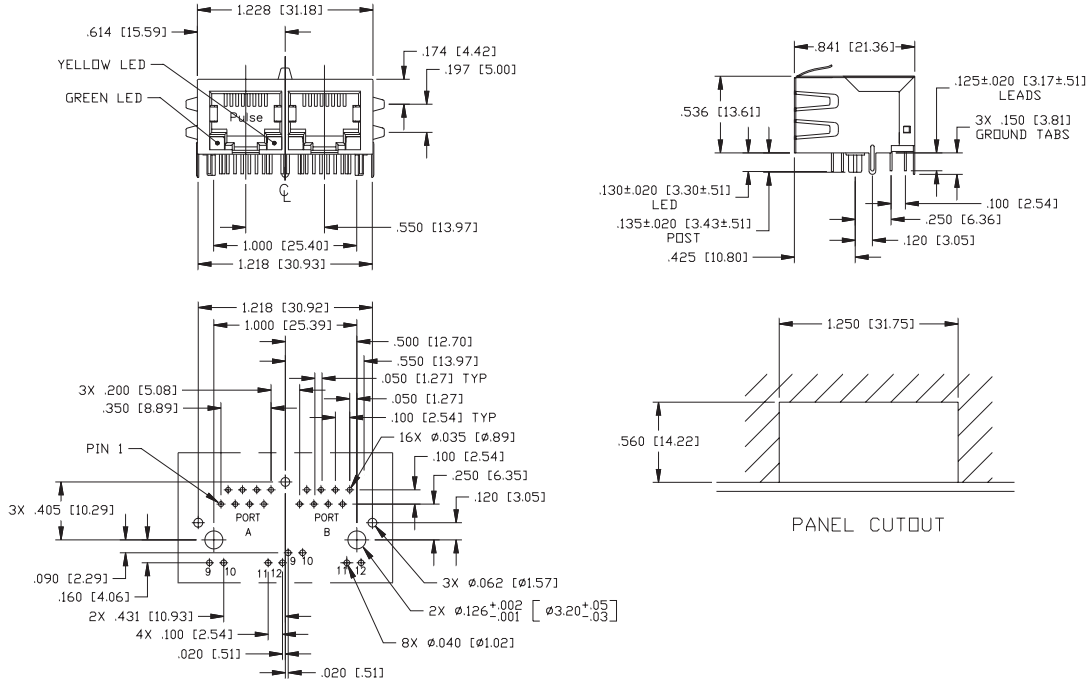
RJ45 Material Specification

| Part Number | Shield | | Contact | | | Housing | | MSL Rating |
|----------------|----------|---|--------------------|--|---|---------------|---------------|---------------|
| | Material | Finish | Material | Plating Area | Solder Area | Material | Specification | |
| J8 Series | Brass | 10-20µ inches thick nickel over 10-20µ inches thick nickel | Phosphor Bronze | 30µ inches gold over 30-80µ inches nickel | 75-300µ inches tin-lead over 30-80µ inches bright nickel | Thermoplastic | UL 94 V-0 | 1 |

- Notes: 1. All connector part numbers starting with the series prefix J8 comply to the above limits. 2. Connector dimensions comply with FCC dimension requirements. 3. MSL = Moisture Sensitivity Level rating from 1 to 5 (highest rating = 1, lowest rating = 5).

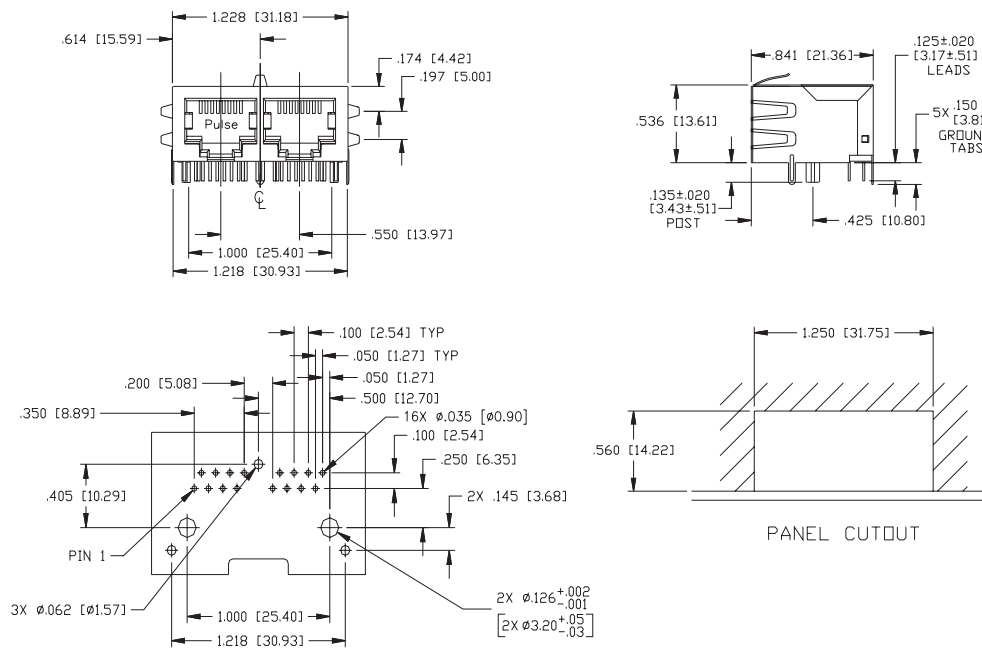
Mechanicals

J8064D628A



SUGGESTED PC BOARD LAYOUT VIEWED FROM COMPONENT SIDE
PCB LAYOUT DIMENSIONS TO BE ±.003 UNLESS OTHERWISE SPECIFIED

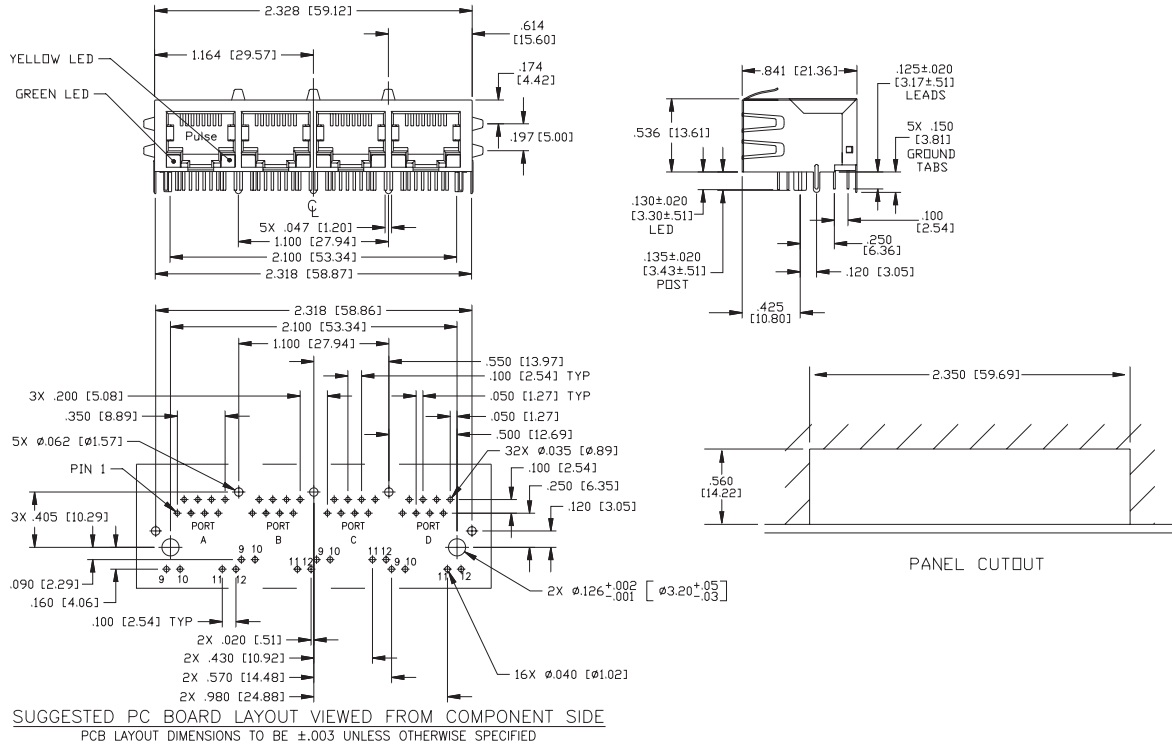
J8064E62



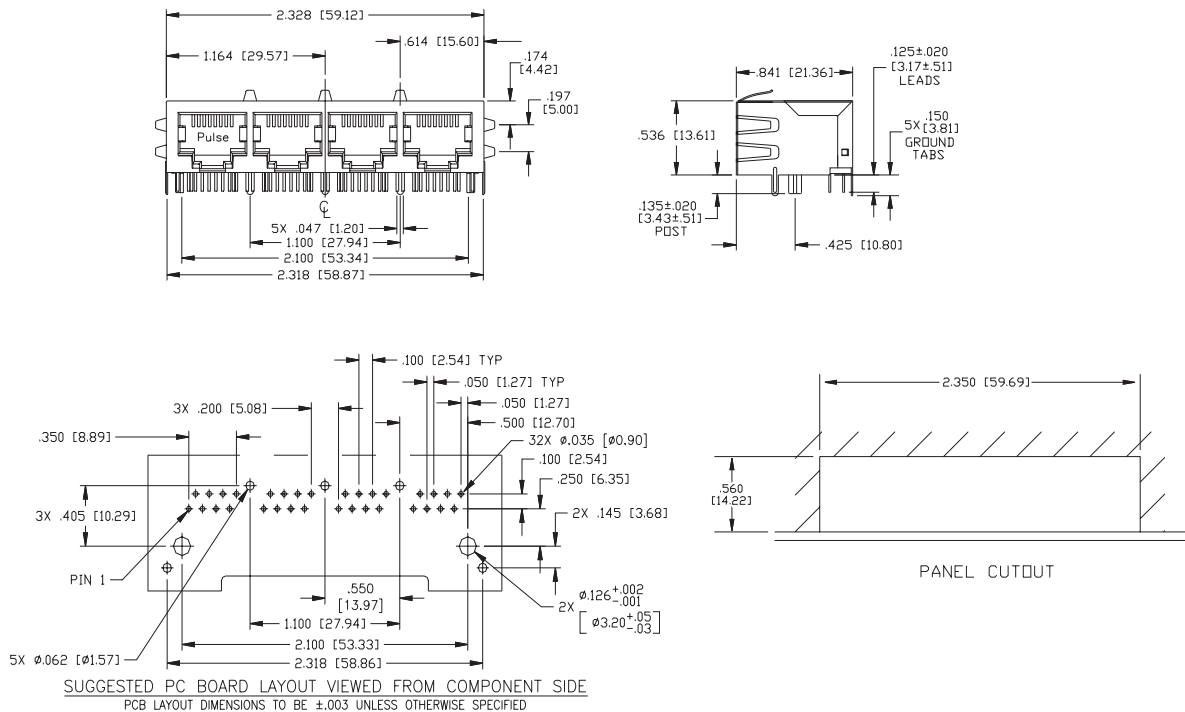
SUGGESTED PC BOARD LAYOUT VIEWED FROM COMPONENT SIDE
PCB LAYOUT DIMENSIONS TO BE ±.003 UNLESS OTHERWISE SPECIFIED

Mechanicals

J8064D648A



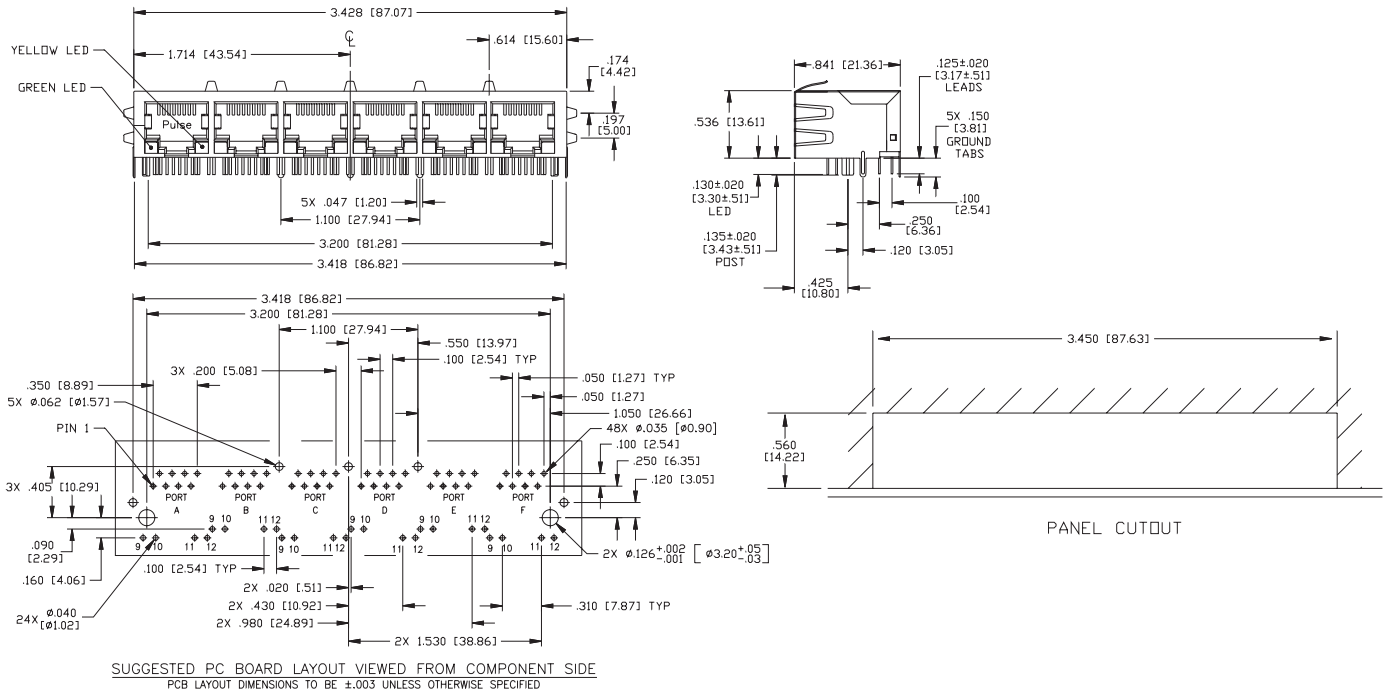
J8064E64



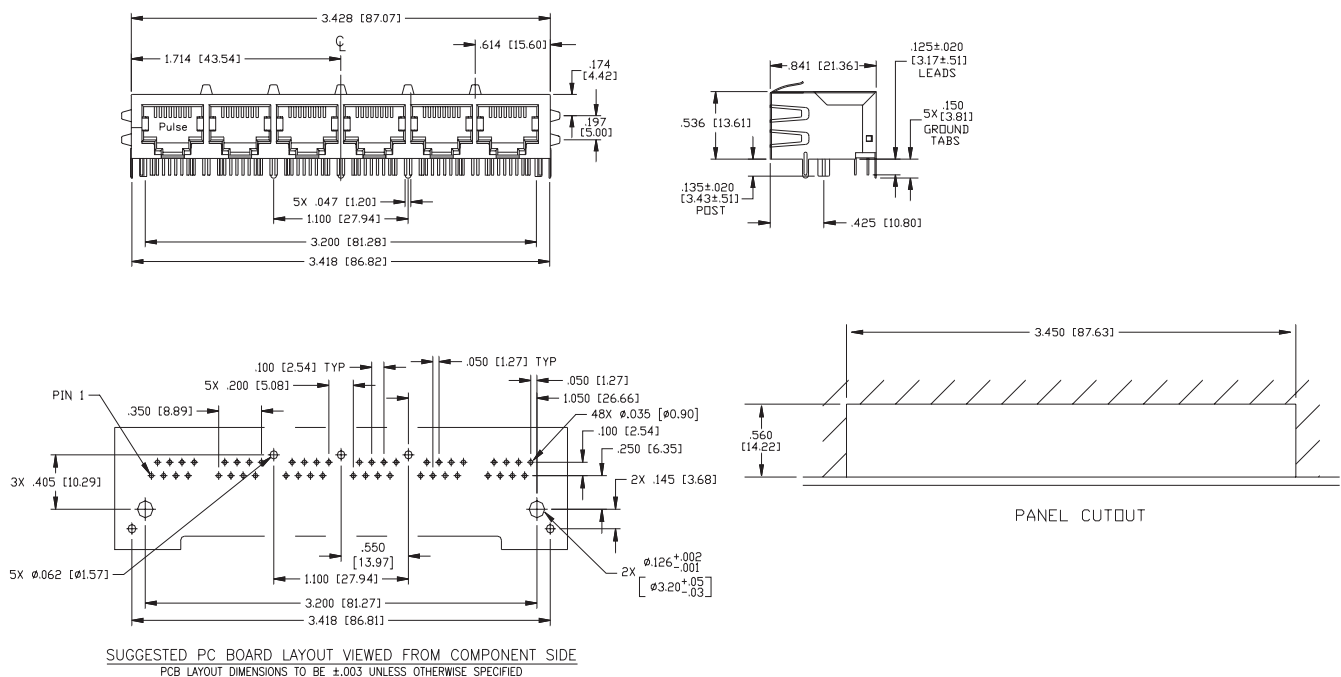


Mechanicals

J8064D668A

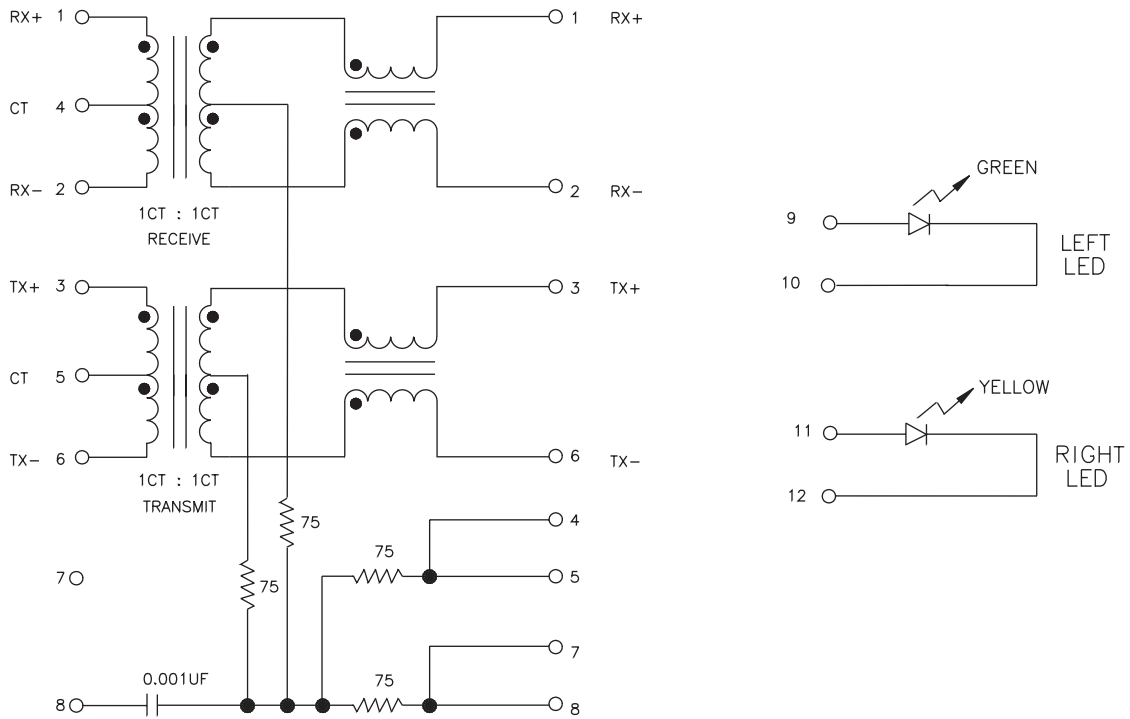


J8064E66



Schematic for J8 Series

J8064D6X8A/J8064E6X (where X = 2, 4, 6 or 8)



| | 1X2 | 1X4 | 1X6 | 1X8 |
|--------------|------------|------------|------------|------------|
| | J8064D628A | J8064D648A | J8064D668A | J8064D688A |
| | J8064E62 | J8064E64 | J8064E66 | J8064E68 |
| Weight | 10.9 grams | 21.8 grams | 32.7 grams | 43.6 grams |
| Tray | 10 /tray | 10 /tray | 10 /tray | 10 /tray |

For More Information :

| UNITED STATES (Worldwide) | UNITED KINGDOM (Northern Europe) | FRANCE (Southern Europe) | SINGAPORE (Southern Asia) | TAIWAN, R.O.C. (Northern Asia) | HONG KONG (China/Hong Kong) | DISTRIBUTOR |
|---|--|---|---|---|---|-------------|
| 12220 World Trade Drive San Diego, CA 92128 U.S.A. http://www.pulseeng.com TEL: 858 674 8100 FAX: 858 674 8262 | 3 Huxley Road Surrey Research Park Guildford, Surrey GU2 5RE United Kingdom TEL: 44 1483 401700 FAX: 44 1483 401701 | Zone Industrielle F-39270 Orgelet France TEL: 33 3 84 35 04 04 FAX: 33 3 84 25 46 41 | 150 Kampong Ampat #07-01/02 KA Centre Singapore 368324 TEL: 65 6287 8998 FAX: 65 6280 0080 | 3F-4, No. 81, Sec. 1 HsinTai Wu Road Hsi-Chih, Taipei Hsien Taiwan, R.O.C. Tel: 886 2 2698 0228 FAX: 886 2 2698 0948 | 9/F, Phase 2, Tai Sang Shatin Warehouse Centre 6 Wong Chuk Yeung Street Fotan, Shatin, Hong Kong Tel: 852 2788 6588 FAX: 852 2776 1055 | |

Performance warranty of products offered on this data sheet is limited to the parameters specified. Data is subject to change without notice. Other brand and product names mentioned herein may be trademarks or registered trademarks of their respective owners.