

阅读申明

- 1.本站收集的数据手册和产品资料都来自互联网，版权归原作者所有。如读者和版权方有任何异议请及时告之，我们将妥善解决。
- 2.本站提供的中文数据手册是英文数据手册的中文翻译，其目的是协助用户阅读，该译文无法自动跟随原稿更新，同时也可能存在翻译上的不当。建议读者以英文原稿为参考以便获得更精准的信息。
- 3.本站提供的产品资料，来自厂商的技术支持或者使用者的心得体会等，其内容可能存在描述上的差异，建议读者做出适当判断。
- 4.如需与我们联系，请发邮件到marketing@iczoom.com，主题请标有“数据手册”字样。

Read Statement

1. The datasheets and other product information on the site are all from network reference or other public materials, and the copyright belongs to the original author and original published source. If readers and copyright owners have any objections, please contact us and we will deal with it in a timely manner.
2. The Chinese datasheets provided on the website is a Chinese translation of the English datasheets. Its purpose is for reader's learning exchange only and do not involve commercial purposes. The translation cannot be automatically updated with the original manuscript, and there may also be improper translations. Readers are advised to use the English manuscript as a reference for more accurate information.
3. All product information provided on the website refer to solutions from manufacturers' technical support or users the contents may have differences in description, and readers are advised to take the original article as the standard.
4. If you have any questions, please contact us at marketing@iczoom.com and mark the subject with "Datasheets" .

Description:

10/100/1000 Base-T single port (1x1) RJ45 integrated connector module (ICM), designed to support Network Interface Cards (NIC), LAN-on-Motherboard (LOM), and PC applications. Available in Tab-UP configuration, and with or without LEDs.



Features and Benefits:

- ✔ RoHS peak wave solder temperature rating 260°C
- ✔ Suitable for CAT 5 and 6 Fast Ethernet cable or better UTP

Electrical Performance Summary:

- ✔ Meets IEEE 802.3 specification
- ✔ 350μH minimum OCL with 8mA bias current
- ✔ High performance for maximum EMI suppression

Electrical Specifications @ 25°C — Operating Temperature 0°C to +70°C

RoHS Part No.	Tab Orientation	LEDs ¹ L/R	Insertion Loss TX/RX (dB)	Return Loss (dB TYP) 100Ω (±15Ω)					Crosstalk (dB TYP)			Common Mode Rejection (dB TYP)		Hipot (MIN) @60Hz 1 MIN
				1-100 MHz	1-10 MHz	30 MHz	60-80 MHz	80-100 MHz	1-10 MHz	32-65 MHz	65-100 MHz	1-125 MHz	125-500 MHz	
JK0-0004NL	UP	G/G	-1.0	-20	-16	-12	-10	-40	-35	-30	-30	-20	1500Vrms	
JK0-0014NL	UP	G/G	-1.0	-20	-16	-12	-10	-40	-35	-30	-30	-20	1500Vrms	
JK0-0016NL	UP	Y-G/G	-1.0	-20	-16	-12	-10	-40	-35	-30	-30	-20	1500Vrms	
JK0-0017NL	UP	NONE	-1.0	-20	-16	-12	-10	-40	-35	-30	-30	-20	1500Vrms	
JK0-0018NL ²	UP	NONE	-1.0	-20	-16	-12	-10	-40	-35	-30	-30	-20	1500Vrms	
JK0-0036NL	UP	Y-G/G	-1.0	-20	-16	-12	-10	-40	-35	-30	-30	-20	1500Vrms	
JK0654219NL	UP	G/G	-1.0	-20	-16	-12	-10	-40	-35	-30	-30	-20	1500Vrms	

Notes: 1. LEDs Left/Right: G = green; Y = yellow; Y-G = Bicolor. 2. JK0-0018NL is supplied without EMI tabs; refer to Mechanical drawing for explanation of EMI tabs.

RJ45 Durability Testing Rating

Part Number	Mating Force (MAX)	Unmating Force (MAX)	Durability	Plug to Jack Retention (MIN)
JK Series	5 lbs./2.268 kgs.	5 lbs./2.268 kgs.	750 Insertions	20 lbs./9.072 kgs.

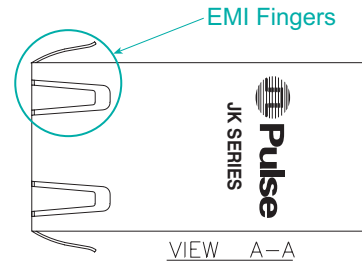
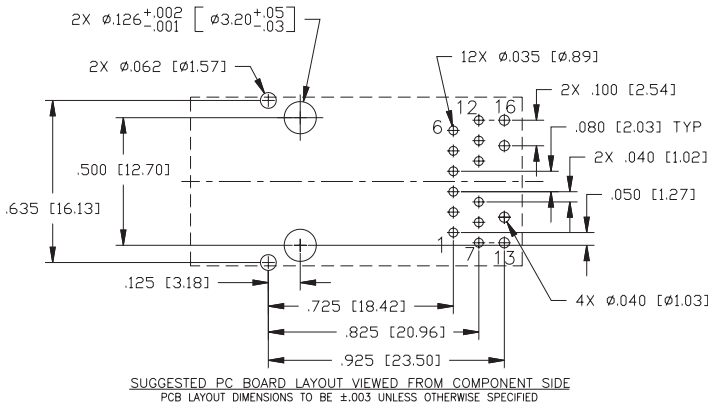
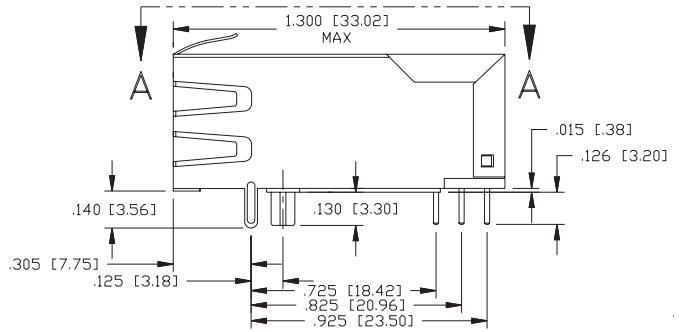
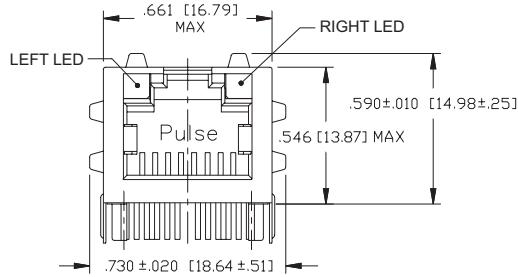
RJ45 Material Specification

Part Number	Shield		Contact			Housing		MSL Rating
	Material	Finish	Material	Plating Area	Solder Area	Material	Specification	
JK Series	Brass	20-40μ inches thick nickel over brass	Phosphor Bronze	15μ inches gold over 30-80μ inches nickel	Tin matte finish	Thermoplastic	UL 94 V-0	1

Notes: 1. Connector dimensions comply with FCC dimension requirements.

Mechanical

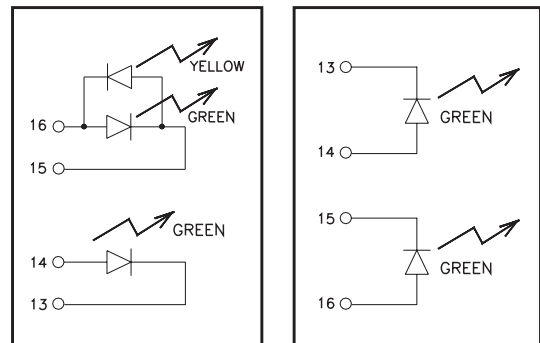
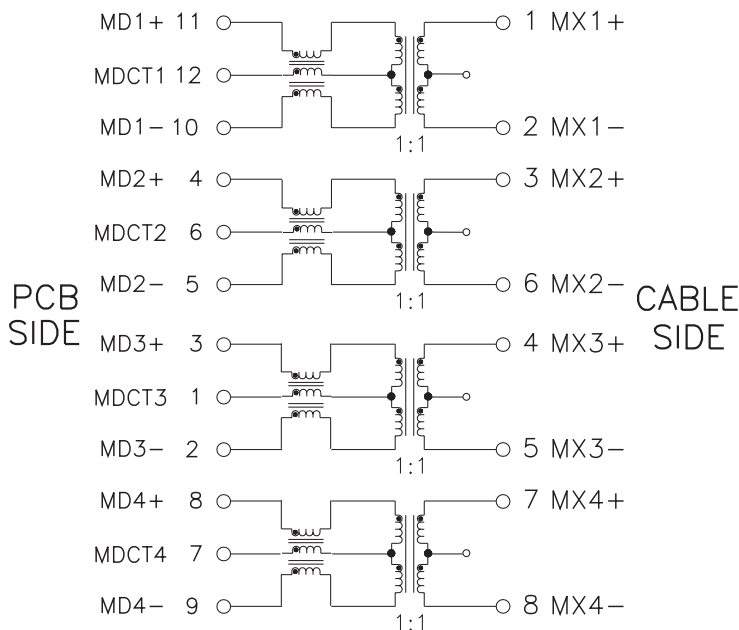
JK0-0004NL / JK0-001XNL / JK0-0036NL / JK0654219NL



NOTE: JK0-0017NL and JK0-0018NL are supplied without LEDs.

Schematic

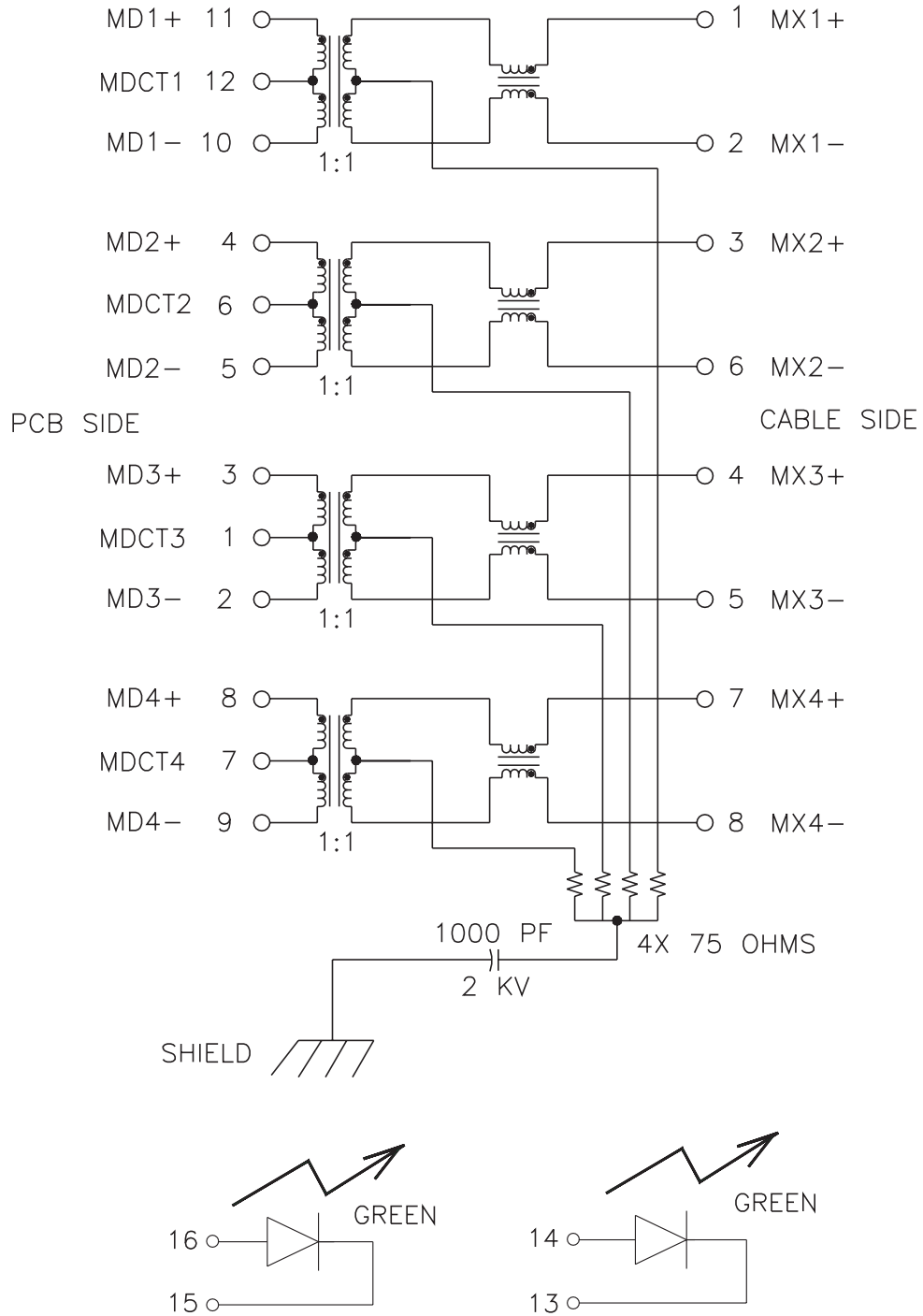
JK0-001XNL



NOTE: JK0-0017NL and JK0-0018NL are supplied without LEDs.

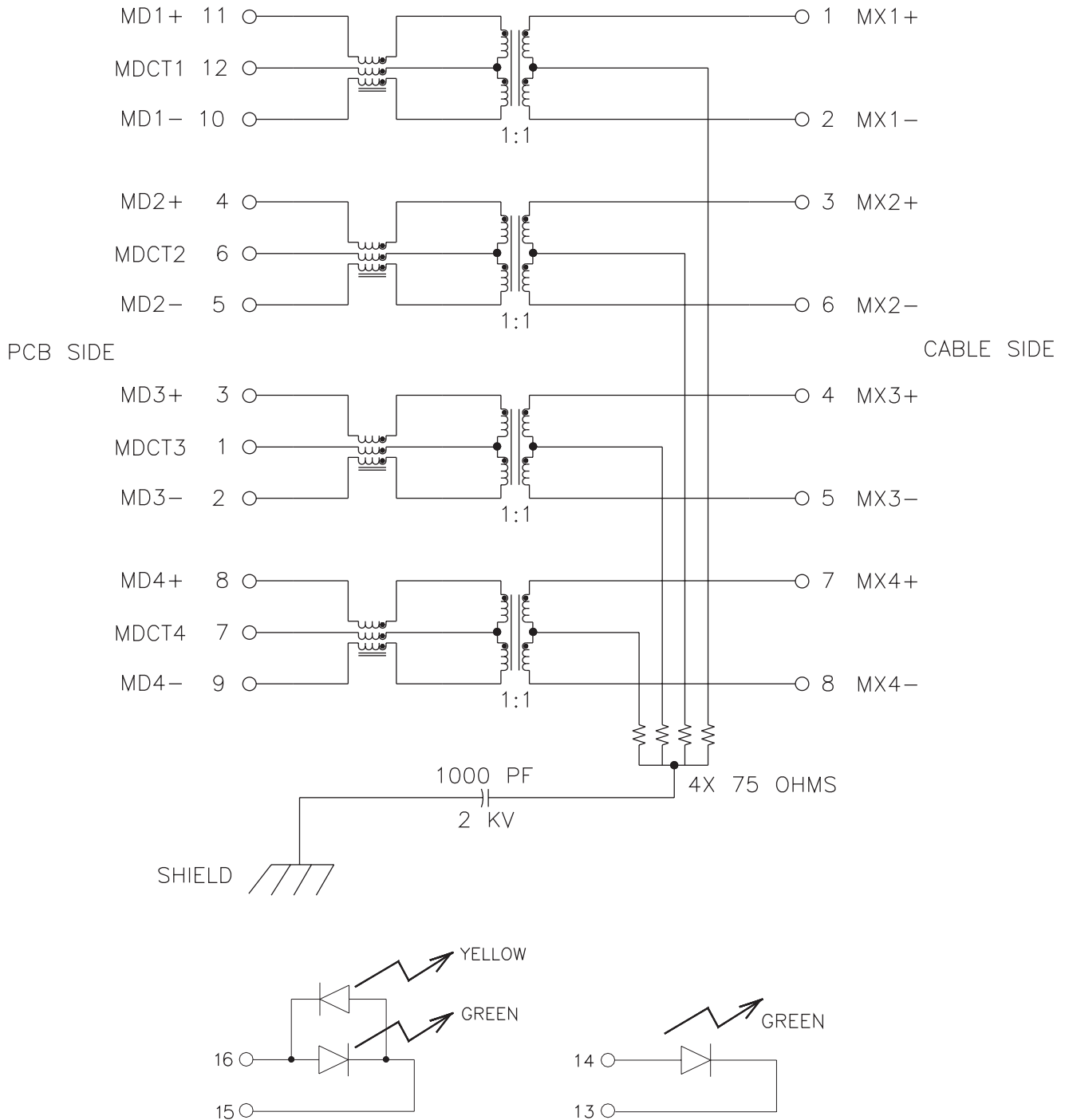
Schematic

JK0-0004NL



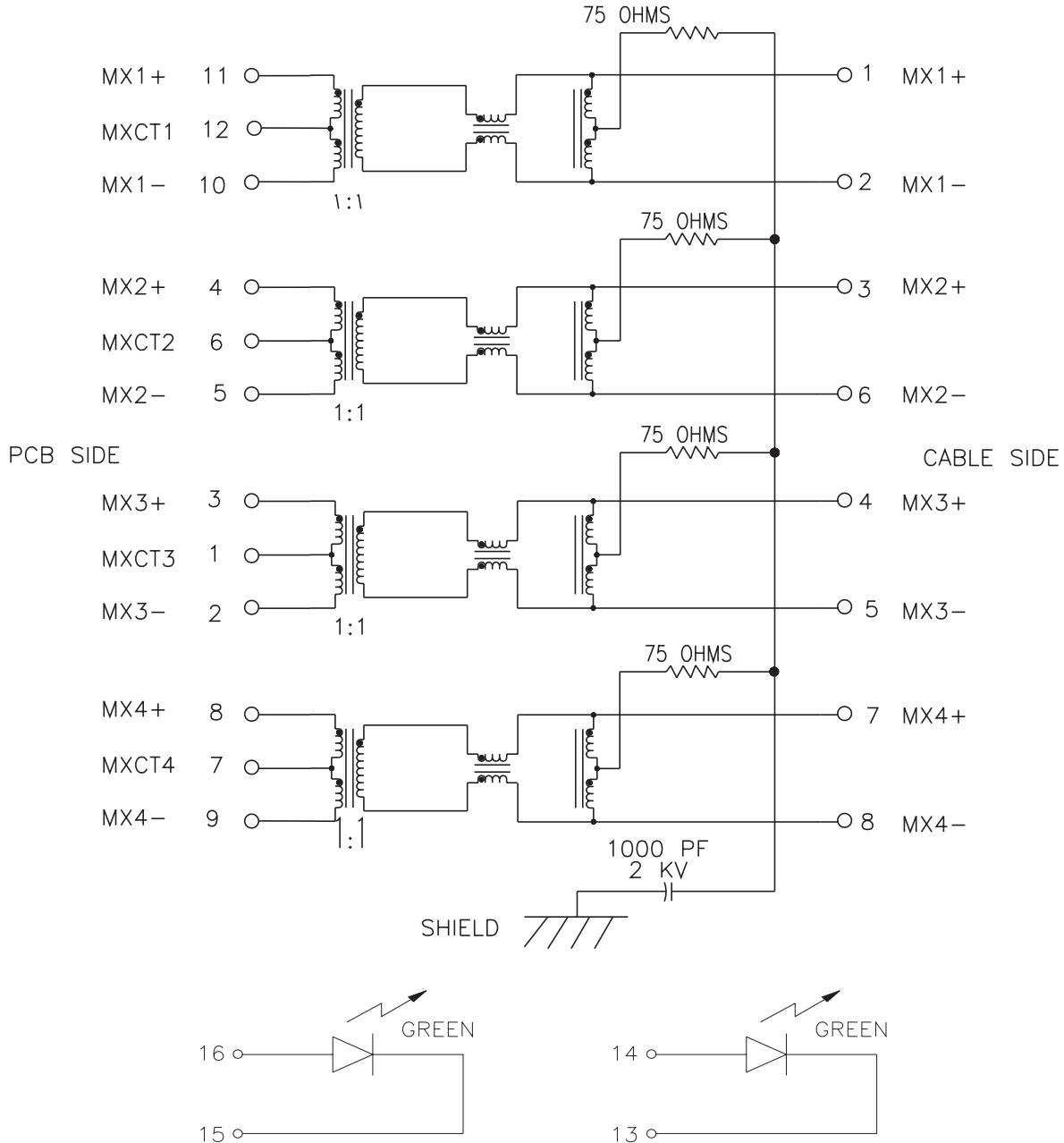
Schematic

JK0-0036NL



Schematic

JK0654219NL



For More Information:

Pulse Worldwide Headquarters	Pulse European Headquarters	Pulse China Headquarters	Pulse North China	Pulse South Asia	Pulse North Asia
12220 World Trade Dr. San Diego, CA 92128 U.S.A. www.pulseeng.com	Einsteinstrasse 1 D-71083 Herrenberg Germany	B402, Shenzhen Academy of Aerospace Technology Bldg. 10th Kejinan Rd. High-Tech Zone Nanshan District Shenzhen, PR China 518057	Room 1503 XinYin Building No. 888 YiShan Rd. Shanghai 200233 China	150 Kampong Ampat #07-01/02 KA Centre Singapore 368324	No. 26 Kao Ching Rd. Yang Mei Chen Taoyuan Hsien Taiwan, R. O. C. 32667
TEL: 858 674 8100 FAX: 858 674 8262	TEL: 49 7032 7806 0 FAX: 49 7032 7806 12	TEL: 86 755 33966678 FAX: 86 755 33966700	TEL: 86 21 32181071 FAX: 86 21 32181396	TEL: 65 6287 8998 FAX: 65 6280 0080	TEL: 886 3 4643715 FAX: 886 3 4641911

Performance warranty of products offered on this data sheet is limited to the parameters specified. Data is subject to change without notice. Other brand and product names mentioned herein may be trademarks or registered trademarks of their respective owners. © Copyright, 2008. Pulse Engineering, Inc. All rights reserved.