

阅读申明

- 1.本站收集的数据手册和产品资料都来自互联网，版权归原作者所有。如读者和版权方有任何异议请及时告之，我们将妥善解决。
- 2.本站提供的中文数据手册是英文数据手册的中文翻译，其目的是协助用户阅读，该译文无法自动跟随原稿更新，同时也可能存在翻译上的不当。建议读者以英文原稿为参考以便获得更精准的信息。
- 3.本站提供的产品资料，来自厂商的技术支持或者使用者的心得体会等，其内容可能存在描述上的差异，建议读者做出适当判断。
- 4.如需与我们联系，请发邮件到marketing@iczoom.com，主题请标有“数据手册”字样。

Read Statement

1. The datasheets and other product information on the site are all from network reference or other public materials, and the copyright belongs to the original author and original published source. If readers and copyright owners have any objections, please contact us and we will deal with it in a timely manner.
2. The Chinese datasheets provided on the website is a Chinese translation of the English datasheets. Its purpose is for reader's learning exchange only and do not involve commercial purposes. The translation cannot be automatically updated with the original manuscript, and there may also be improper translations. Readers are advised to use the English manuscript as a reference for more accurate information.
3. All product information provided on the website refer to solutions from manufacturers' technical support or users the contents may have differences in description, and readers are advised to take the original article as the standard.
4. If you have any questions, please contact us at marketing@iczoom.com and mark the subject with "Datasheets" .

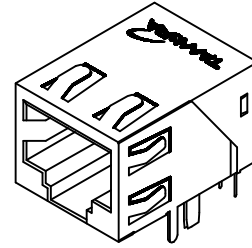


RJ45 Integrated Connector

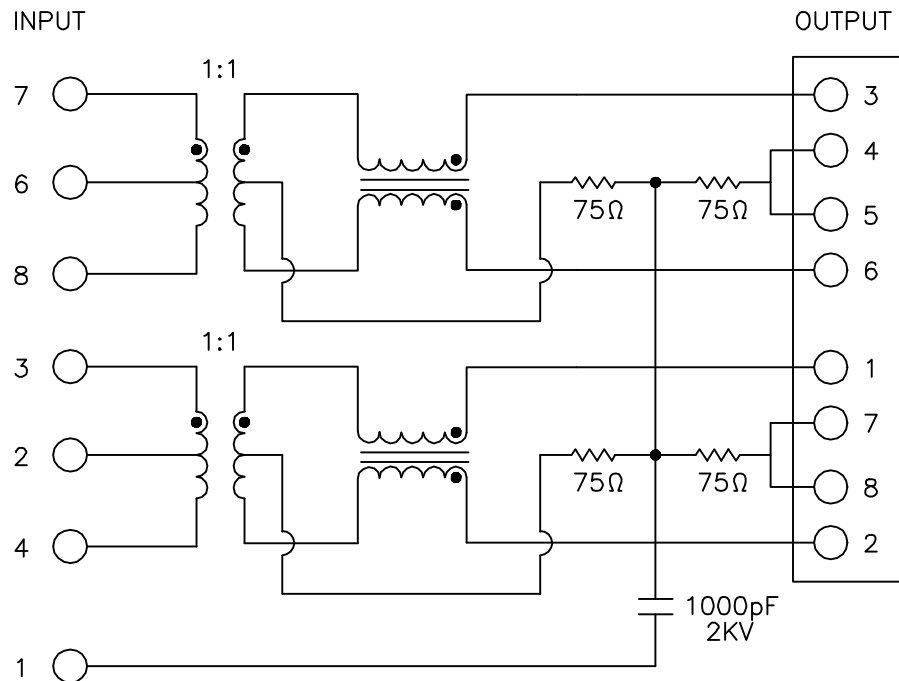
10/100 Base-TX, Single Port, Through Hole

MODEL NUMBER
TIC-L001-11

- Meets IEEE 802.3 and ANSI X3.263
- Operating temperature: 0°C to +85°C
- Storage Temperature: 0°C to +85°C



Electrical Specification From 0°C to +85°C								
Insertion Loss (dB Max)	Return Loss (dB Min)			CMRR (dB Min)	OCL (μ H Min)	Hipot (Vrms)	Impedance (Ω)	Crosstalk (dB Min)
	1-100 MHz	1-30 MHz	60 MHz					
-1	-18	-16	-12	-35	350	1500	190	-38



PREPARED BY:

D. Rund

ENGINEER:

L. Le

QUALITY CONTROL:

D. Kelley

APPROVED:

J. Coleman

DWG CONTROL NO.
P-A1-12906
ACAD\TTC\A1129061.DWG

REV
PRE

RJ45
INTEGRATED CONNECTOR

TAMURA CORPORATION OF AMERICA
43352 BUSINESS PARK DRIVE, TEMECULA, CA. 92590-6624
(909) 699-1270 FAX 9096769482

TIC-L001-11
MODEL SPECIFICATION

DIM: mm(in) SCL: NONE SH: 1 OF 2

PROPRIETARY NOTICE: THIS DRAWING PRINT OR DOCUMENT AND SUBJECT MATTER DISCLOSED HEREIN ARE PROPRIETARY ITEMS TO WHICH TAMURA RETAINS THE EXCLUSIVE RIGHT OF DISSEMINATION, REPRODUCTION, MANUFACTURE AND SALE. THIS DRAWING, PRINT OR DOCUMENT IS SUBMITTED IN CONFIDENCE FOR CONSIDERATION BY THE RECIPIENT ALONE UNLESS PERMISSION FOR FURTHER DISCLOSURE IS EXPRESSLY GRANTED IN WRITING.

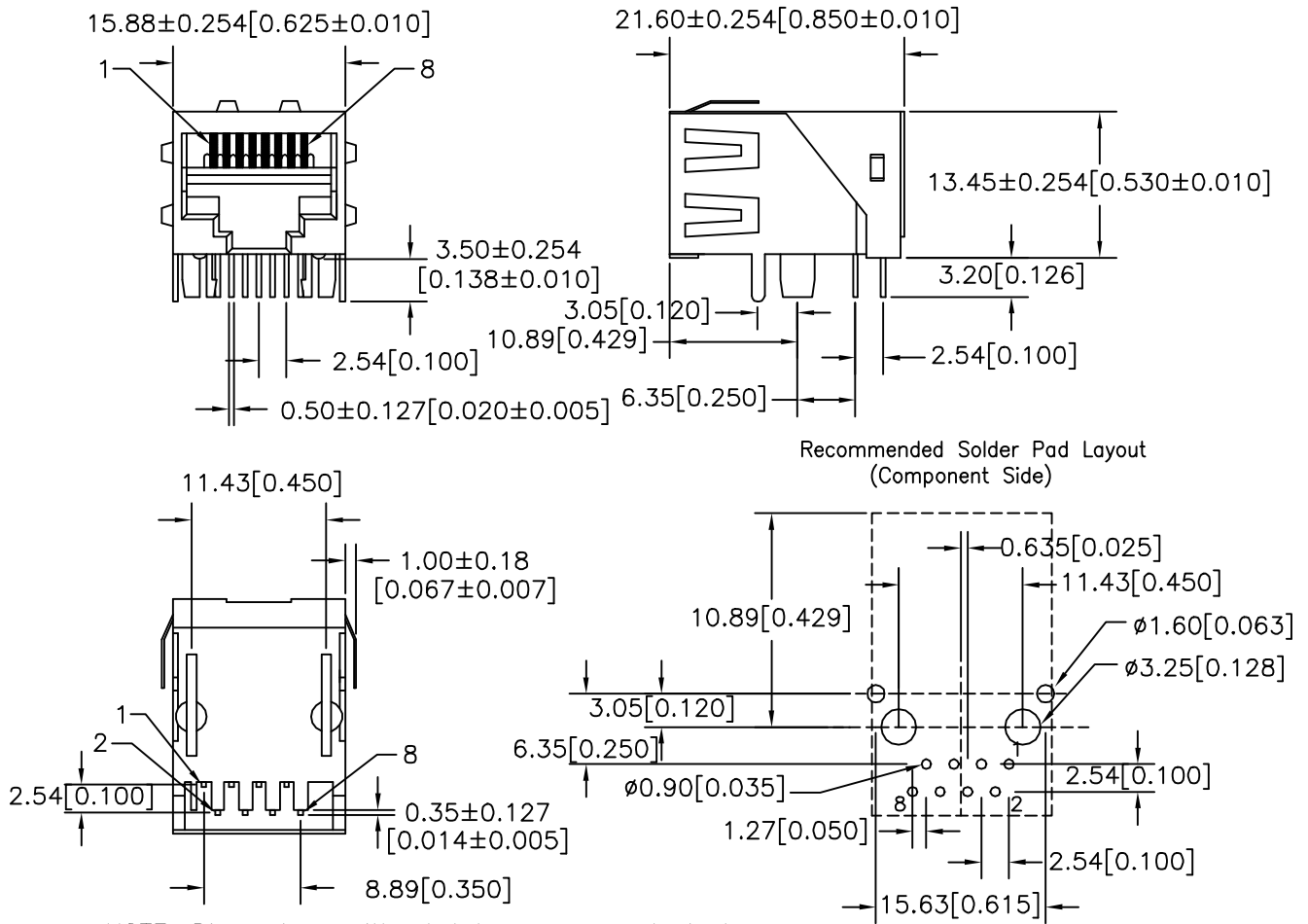


RJ45 Integrated Connector

10/100 Base-TX, Single Port, Through Hole

MODEL NUMBER
TIC-L001-11

Mechanical Material Specification									
Contact Material	Contact						Housing and Insert	Shell	
	Contact Finish								
	Upper Contact			Lower Contact					
	Contact Area	Solder Tail	Under-plating	Contact Area	Solder Tail Area	Under-plating		Front	Back
Phosphor Bronze	Gold	Tin/Lead (9:1)	Nickel	Gold	Tin/Lead (9:1)	Nickel	Thermal-plastic Nylon 6T	Stainless SUS 304	Stainless SUS 304
0.35mm thick	30μ" MIN	100μ" MIN	50μ" MIN	100μ" MIN	100μ" MIN	50μ" MIN	Black UL 94V-0	0.25mm thick	0.20mm thick



NOTE: Dimensions without tolerances are typical.

PREPARED BY:

D. Rund

ENGINEER:

L. Le

QUALITY CONTROL:

D. Kelley

APPROVED:

J. Coleman

DWG CONTROL NO. REV
P-A1-12906 PRE
ACAD\TTC\A1129062.DWG

RJ45
INTEGRATED CONNECTOR
TAMURA CORPORATION OF AMERICA
43352 BUSINESS PARK DRIVE, TEMECULA, CA. 92590-6624
(909) 699-1270 FAX 9096769482

TIC-L001-11
MODEL SPECIFICATION

DIM: mm(In) SCL: NONE SH: 2 OF 2

PROPRIETARY NOTICE: THIS DRAWING PRINT OR DOCUMENT AND SUBJECT MATTER DISCLOSED HEREIN ARE PROPRIETARY ITEMS TO WHICH TAMURA RETAINS THE EXCLUSIVE RIGHT OF DISSEMINATION, REPRODUCTION, MANUFACTURE AND SALE. THIS DRAWING, PRINT OR DOCUMENT IS SUBMITTED IN CONFIDENCE FOR CONSIDERATION BY THE RECIPIENT ALONE UNLESS PERMISSION FOR FURTHER DISCLOSURE IS EXPRESSLY GRANTED IN WRITING.