

## 阅读申明

- 1.本站收集的数据手册和产品资料都来自互联网，版权归原作者所有。如读者和版权方有任何异议请及时告之，我们将妥善解决。
- 2.本站提供的中文数据手册是英文数据手册的中文翻译，其目的是协助用户阅读，该译文无法自动跟随原稿更新，同时也可能存在翻译上的不当。建议读者以英文原稿为参考以便获得更精准的信息。
- 3.本站提供的产品资料，来自厂商的技术支持或者使用者的心得体会等，其内容可能存在描述上的差异，建议读者做出适当判断。
- 4.如需与我们联系，请发邮件到marketing@iczoom.com，主题请标有“数据手册”字样。

## Read Statement

1. The datasheets and other product information on the site are all from network reference or other public materials, and the copyright belongs to the original author and original published source. If readers and copyright owners have any objections, please contact us and we will deal with it in a timely manner.
2. The Chinese datasheets provided on the website is a Chinese translation of the English datasheets. Its purpose is for reader's learning exchange only and do not involve commercial purposes. The translation cannot be automatically updated with the original manuscript, and there may also be improper translations. Readers are advised to use the English manuscript as a reference for more accurate information.
3. All product information provided on the website refer to solutions from manufacturers' technical support or users the contents may have differences in description, and readers are advised to take the original article as the standard.
4. If you have any questions, please contact us at marketing@iczoom.com and mark the subject with "Datasheets" .

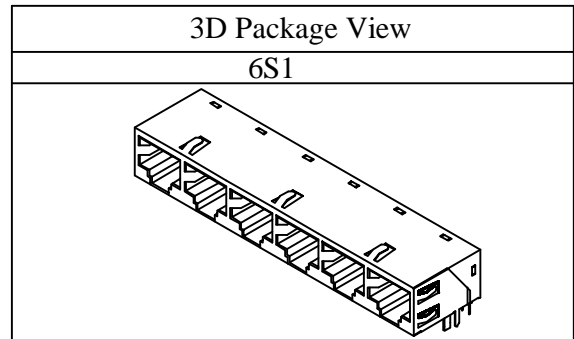


# RJ45 Integrated Connector

10/100 Base-TX, 1 x 6 Port, Through Hole

**Features:**

1. Meets IEEE 802.3 and ANSI X3.263
2. Operating Temperature: 0°C to +85°C
3. 1500Vrms Isolation
4. Enhanced Common Mode Attenuation for maximum EMI Suppression
5. Full Product Qualification Tests



Product Selection											
#	P/N	Row X Port	Pack age Style	Schematic Identification							
				Auto Xfmr	Input Pins-out		Output Pins-out		RTN	Turn Ratio	SCH #
1	TIC-L019-16	1x6	6S1	X	7,6,8	1,3,2	3,7,8,6	1,4,5,2	Shd	1ct:1ct	3
2	TIC-L065-16	1x6	6S1		1,2,3	6,7,8	1,4,5,2	3,7,8,6	Shd	1ct:1ct	18

Package Identification				
Package #	Package Style	Size LWH		Package Identification
		inches	mm	
6S1	1 x 6 Port	3.38 x 0.850 x 0.530	85.88 x 21.6 x 12.45	7 Spring taps, 6 ports, 8 pins each, no LED Plastic Mounting tap - Shield Mounting GND tap

Electrical Specification @ 25°C								
Insertion Loss (dB Max)	Return Loss (dB Min)			CMRR (dB Min)	Crosstalk (dB Min)	OC L (m H Min)	Hipot (Vrms)	Impedance (Ω)
	1-100 MHz	1-30 MHz	60 MHz	80 MHz	1-100 MHz	1-100 MHz	8mA Dc Bias	1 minute
1	-18	-16	-12	-30	-30	350	1500	100

Package Information				
Quantity		Weight		Size
qty/tray (pcs)	qty/box (pcs)	weight/pcs (g)	weight/box (kg)	box size (cm)
21	315	28.15	11.9	39.0x29.0x34.0

Product Qualification Tests			
Test #	Test Description	Test #	Test Description
1	Product Performance : Complete Electrical Test, Mechanical Measurements and Visual Inspection	6	Mechanical Shock
		7	Durability (Repeated mating / unmating)
2	Low Level Contact Resistance	8	Solderability
3	Dielectric Strength	9	Thermal Shock
4	Insulation Resistance	10	Humidity Temperature Cycling
5	Vibration		

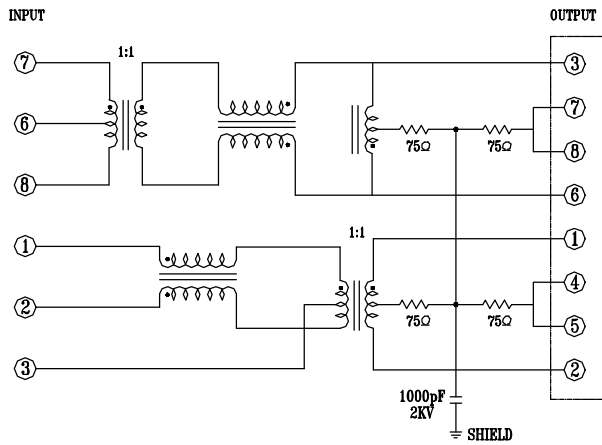


# RJ45 Integrated Connector

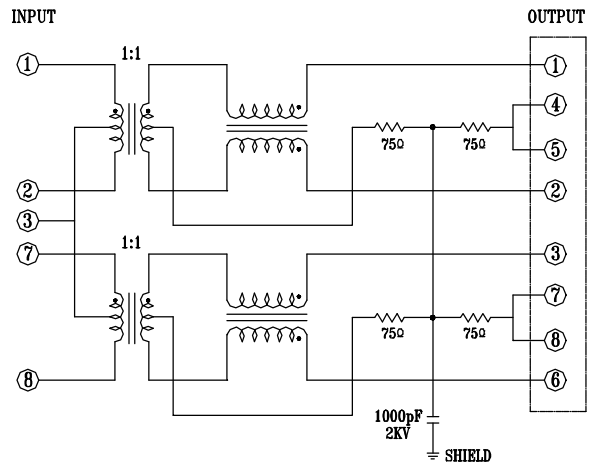
## 10/100 Base-TX, 1 x 6 Port, Through Hole

Mechanical Material Specification									
Contact Material	Contact						Housing & Insert	Shell	
	Contact Finish							Front	Back
	RJ Upper Contact			RJ Lower Contact					
	Contact Area	Solder Tail Area	Under-plating	Contact Area	Solder Tail Area	Under-plating			
Phosphor Bronze	Gold	Tin/Lead (9:1)	Nickel	Tin/Lead (9:1)	Tin/Lead (9:1)	Nickel	Thermoplastic Nylon 6T, Black	Stainless SUS 304	Stainless SUS 304
0.35 mm thick	30 μ" Min.	100 μ" Min.	50 μ" Min.	100 μ" Min.	100 μ" Min.	50 μ" Min.	UL 94V-0	0.25 mm thick	0.20 mm thick

Schematic 3



Schematic 18

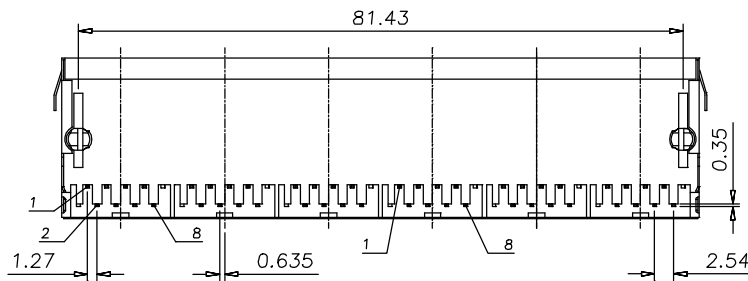
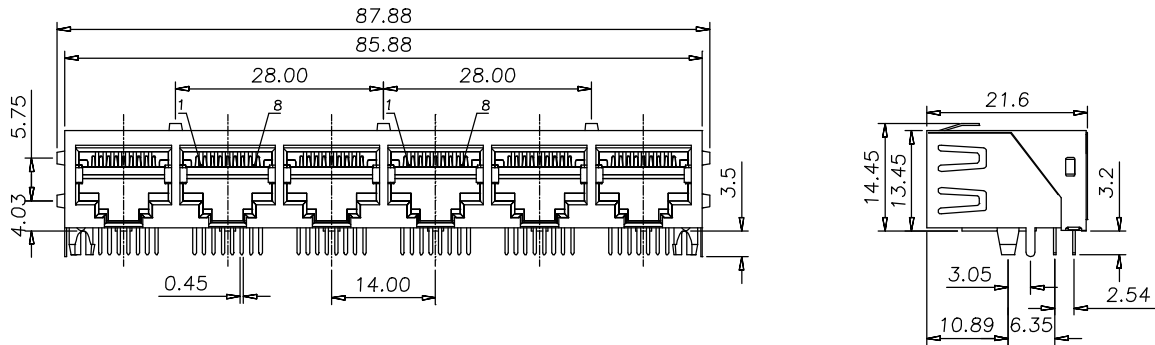




# RJ45 Integrated Connector

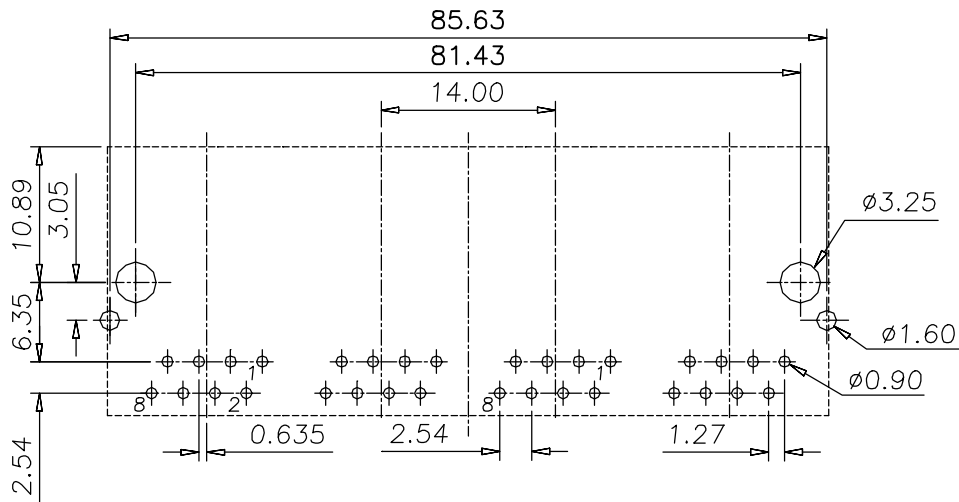
## 10/100 Base-TX, 1 x 6 Port, Through Hole

Package 6S1



GENERAL TOLERANCE

- .x  $\pm 0.38$
- .xx  $\pm 0.25$
- .xxx  $\pm 0.13$



RECOMMENDED P.C.B. LAYOUT  
(COMPONENT SIDE)