

## 阅读申明

- 1.本站收集的数据手册和产品资料都来自互联网，版权归原作者所有。如读者和版权方有任何异议请及时告之，我们将妥善解决。
- 2.本站提供的中文数据手册是英文数据手册的中文翻译，其目的是协助用户阅读，该译文无法自动跟随原稿更新，同时也可能存在翻译上的不当。建议读者以英文原稿为参考以便获得更精准的信息。
- 3.本站提供的产品资料，来自厂商的技术支持或者使用者的心得体会等，其内容可能存在描述上的差异，建议读者做出适当判断。
- 4.如需与我们联系，请发邮件到marketing@iczoom.com，主题请标有“数据手册”字样。

## Read Statement

1. The datasheets and other product information on the site are all from network reference or other public materials, and the copyright belongs to the original author and original published source. If readers and copyright owners have any objections, please contact us and we will deal with it in a timely manner.
2. The Chinese datasheets provided on the website is a Chinese translation of the English datasheets. Its purpose is for reader's learning exchange only and do not involve commercial purposes. The translation cannot be automatically updated with the original manuscript, and there may also be improper translations. Readers are advised to use the English manuscript as a reference for more accurate information.
3. All product information provided on the website refer to solutions from manufacturers' technical support or users the contents may have differences in description, and readers are advised to take the original article as the standard.
4. If you have any questions, please contact us at marketing@iczoom.com and mark the subject with "Datasheets" .

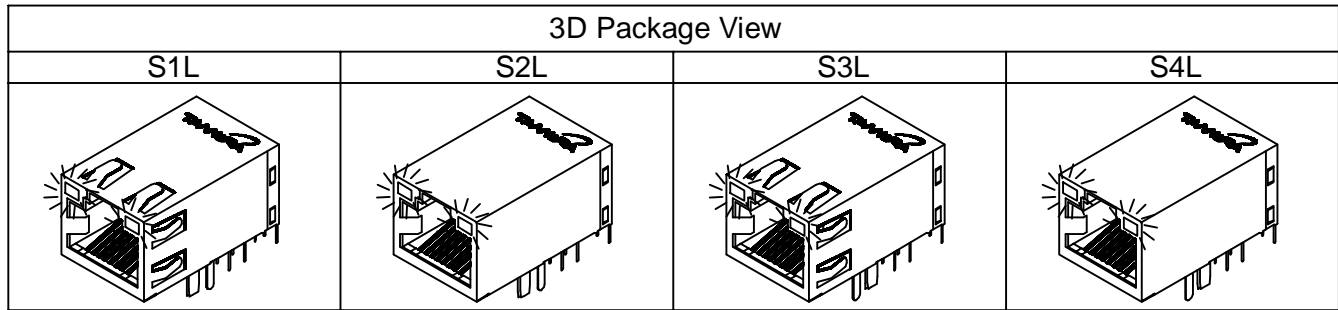
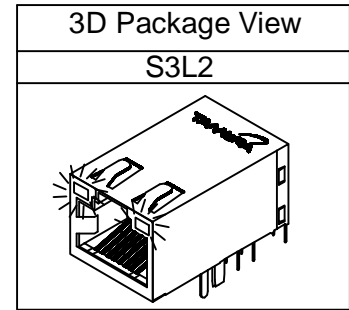


# RJ45 Integrated Connector

## 10/100 Base-TX, Single Port, Through Hole, with LED

**Features:**

1. Meets IEEE 802.3 and ANSI X3.263
2. Operating Temperature: 0°C to +85°C
3. 1500Vrms Isolation
4. Enhanced Common Mode Attenuation for maximum EMI Suppression
5. Full Product Qualification Tests



Product Selection													
#	P/N	Row X Port	Package Style	Schematic Identification									
				Auto Xfmr	Input Pins-out		Output Pins-out		RTN	Turn Ratio TX Only	SCH #	LED Yellow	LED Green and/or Orange
1	TIC-L033-11	1x1	S3L	X	2,1,3	4,6,5	1,4,5,2	3,7,8,6	Shd	1ct:1ct	9L	7,8	9,10*
2	TIC-L034-11	1x1	S4L	X	2,1,3	4,6,5	1,4,5,2	3,7,8,6	Shd	1ct:1ct	9L	7,8	9,10*
3	TIC-L035-11	1x1	S3L2	X	2,1,3	4,6,5	1,4,5,2	3,7,8,6	Shd	1ct:1ct	9L	7,8	9,10*
4	TIC-L036-11	1x1	S2L	X	1,3,2	7,6,8	1,4,5,2	3,7,8,6	4,5	1ct:1ct	6L	10,9	11,12*
5	TIC-L037-11	1x1	S2L	X	1,3,2	7,6,8	1,4,5,2	3,7,8,6	4,5, Shd	1ct:1ct	6L1	9,10	11,12*
6	TIC-L040-11	1x1	S2L	X	1,3,2	7,6,8	1,4,5,2	3,7,8,6	4,5,	1ct:1ct	6L3	11,12	10,9
7	TIC-L038-11	1x1	S1L	X	1,3,2	7,6,8	1,4,5,2	3,7,8,6	4,5	1ct:1ct	6L3	11,12	9,10
8	TIC-L039-11	1x1	S1L	X	1,3,2	7,6,8	1,4,5,2	3,7,8,6	4,5, Shd	1ct:1ct	6L4	11,12	9,10

RCV turn ratio is 1ct:1ct

\* Bi-directional LEDs, green and orange. Single LED is green.

Package Identification				
Package #	Package Style	Size LWH		Package Identification
		inches	mm	
S1L	Single Port	1.005 x 0.661 x 0.531	25.53 x 16.80 x 13.50	6 Spring taps, 3 Pin -Rows Plastic Mounting tap - Shield Mounting GND tap
S2L	Single Port	1.005 x 0.661 x 0.531	25.53 x 16.80 x 13.50	No Spring taps, 3 Pin -Rows Plastic Mounting tap - Shield Mounting GND tap
S3L2	Single Port	1.005 x 0.661 x 0.531	25.53 x 16.80 x 13.50	2 Spring taps, 2 Pin -Rows Shield Mounting GND tap - Plastic Mounting tap
S3L	Single Port	1.005 x 0.661 x 0.531	25.53 x 16.80 x 13.50	6 Spring taps, 2 Pin -Rows Shield Mounting GND tap - Plastic Mounting tap
S4L	Single Port	1.005 x 0.661 x 0.531	25.53 x 16.80 x 13.50	No Spring taps, 2 Pin -Rows Shield Mounting GND tap - Plastic Mounting tap



# RJ45 Integrated Connector

## 10/100 Base-TX, Single Port, Through Hole, with LED

Package Information							
Quantity			Weight			Size	
qty/tray ( pcs )	qty/box ( pcs )	qty/carton ( pcs )	weight/pcs ( g )	weight/box ( kg )	weight/carton ( kg )	box size ( cm )	carton size ( cm )
50	250	1000	7.2	3.3	14.2	37.5x25.0x20.5	53.5x40.0x44.5

Electrical Specification @ 25 °C								
Insertion Loss (dB Max)	Return Loss (dB Min)			CMRR (dB Min)	Crosstalk (dB Min)	OCL ( $\mu$ H Min)	Hipot (Vrms)	Impedance ( $\Omega$ )
1-100 MHz	1-30 MHz	60 MHz	80 MHz	1-100 MHz	1-100 MHz	8mA Dc Bias	1 minute	
1	-18	-16	-12	-30	-35	350	1500	100

Mechanical Material Specification									
Contact							Plastic Part		Shell
RJ Contact				RJ Joint Contact and LED Contact			RJ Housing	Set Housing & Insert	Stainless SUS 304-1/2H
Contact Material	Contact Area	Solder Tail Area	Under- plating	Contact Material	Solder Tail Area	Under- plating			
Phosphor Bronze	Gold	Tin/Lead (9:1)	Nickel	Brass	Tin/Lead (9:1)	Nickel	Thermoplastic PC Transparent	Thermoplastic PA6T, Black	
0.35 mm thick	30 $\mu$ " Min.	100 $\mu$ " Min.	50 $\mu$ " Min.	0.35 mm thick	100 $\mu$ " Min.	50 $\mu$ " Min.	UL 94V-0 E45587 General Electric Grade: 940A	UL 94V-0 E52579(M) Mitsui P.I. Grade: CH230N	0.20 mm thick

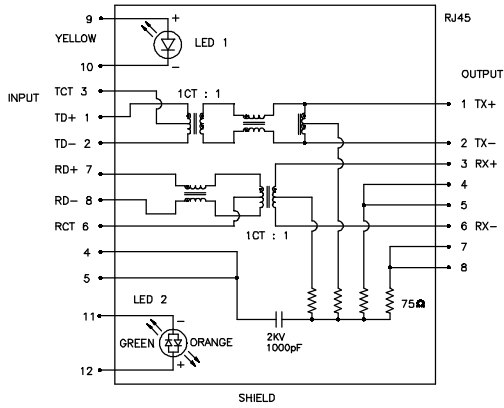
Product Qualification Tests	
Test #	Test Description
1	Product Performance: Complete Electrical Test, Mechanical Measurements and Visual Inspection
2	Low Level Contact Resistance
3	Dielectric Strength
4	Insulation Resistance
5	Vibration
6	Mechanical Shock
7	Durability (Repeated mating / unmating)
8	Solderability
9	Thermal Shock
10	Humidity Temperature Cycling



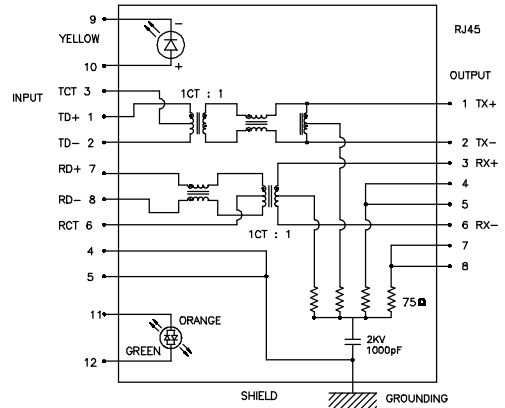
# RJ45 Integrated Connector

## 10/100 Base-TX, Single Port, Through Hole, with LED

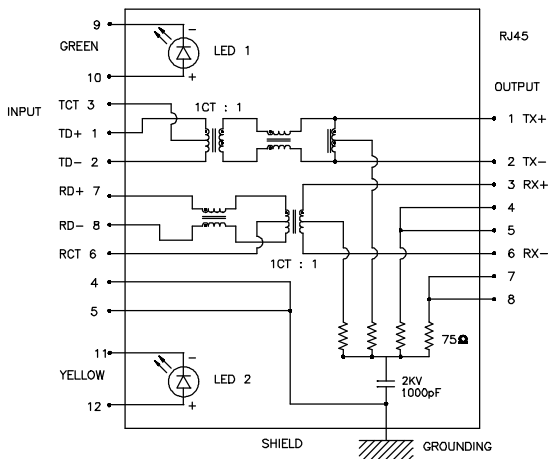
### Schematic 6L



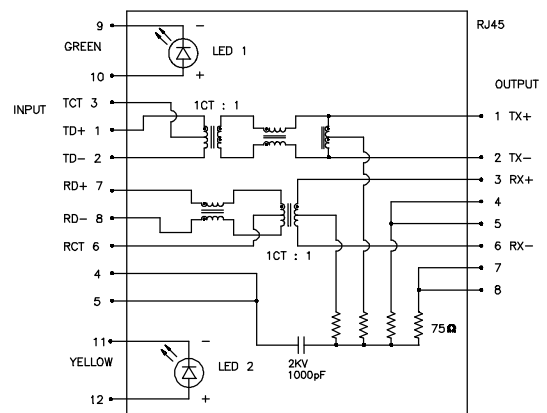
### Schematic 6L1



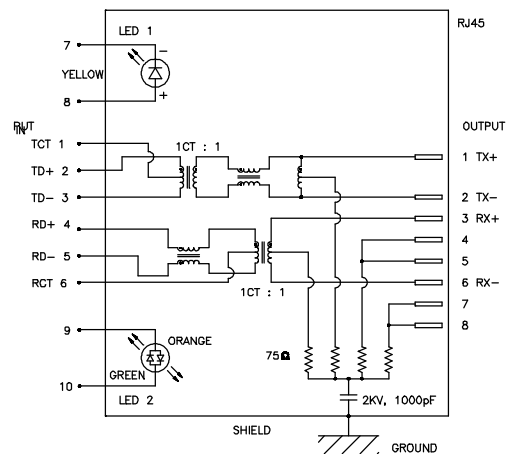
### Schematic 6L4



### Schematic 6L3



### Schematic 9L

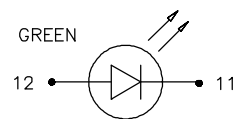
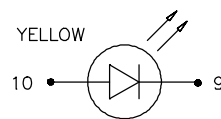
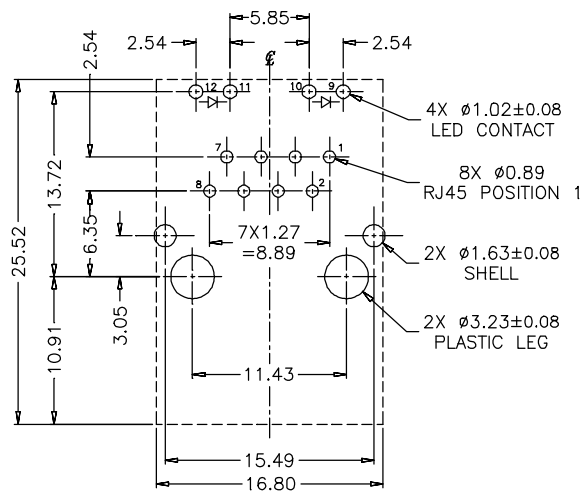
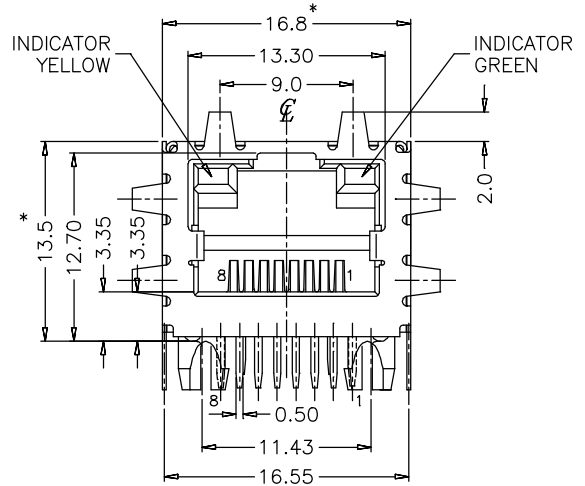
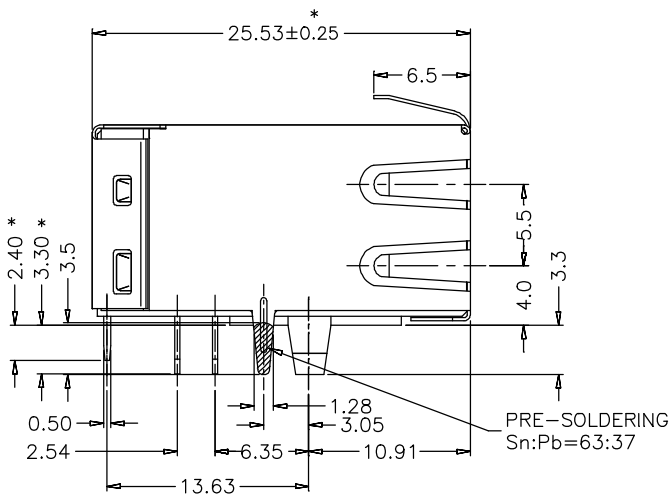
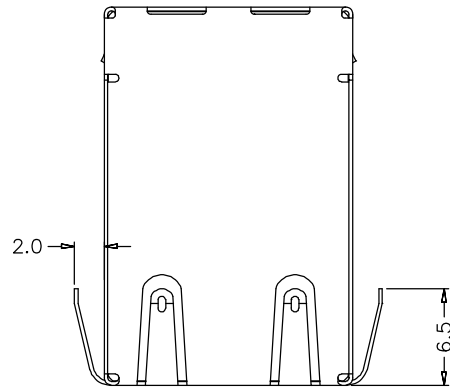


# RJ45 Integrated Connector

## 10/100 Base-TX, Single Port, Through Hole, with LED

### Package S1L

GENERAL TOLERANCE  
 .XX ±0.13  
 .X ±0.25



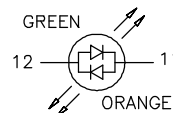
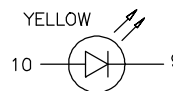
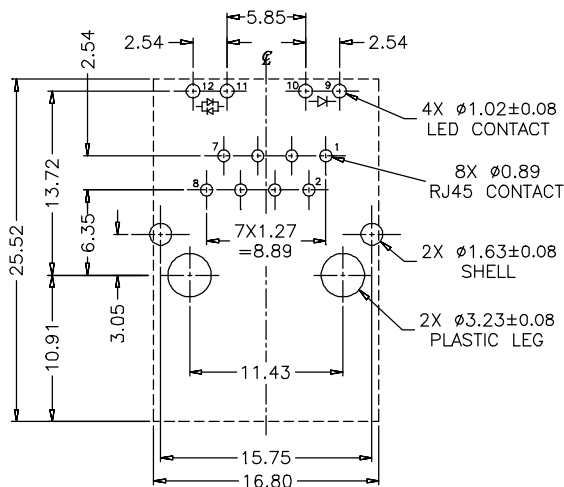
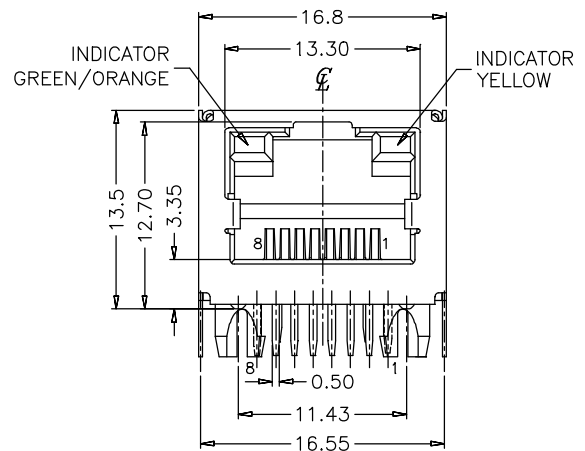
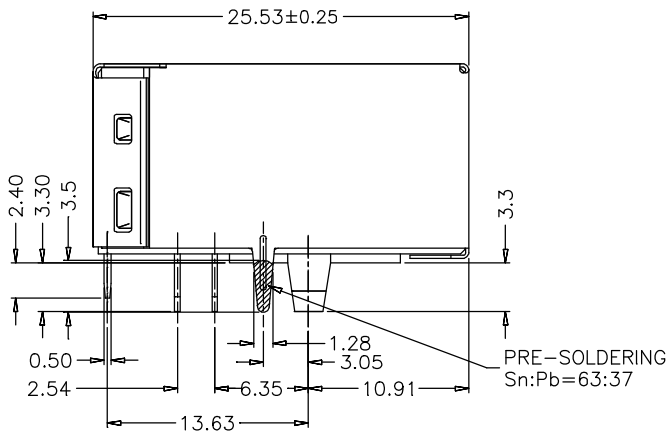
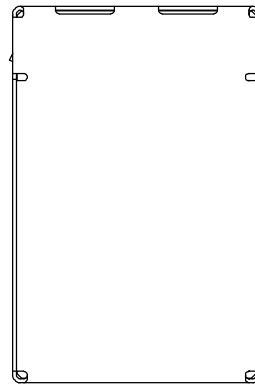
RECOMMENDED PCB LAYOUT  
 COMPONENT SIDE PCB THICKNESS : 1.60mm  
 ALL DIMENSION TOLERANCE ARE ±0.05 UNLESS OTHERWISE SPECIFIED

# RJ45 Integrated Connector

## 10/100 Base-TX, Single Port, Through Hole, with LED

### Package S2L

GENERAL TOLERANCE  
 .XX ±0.13  
 .X ±0.25



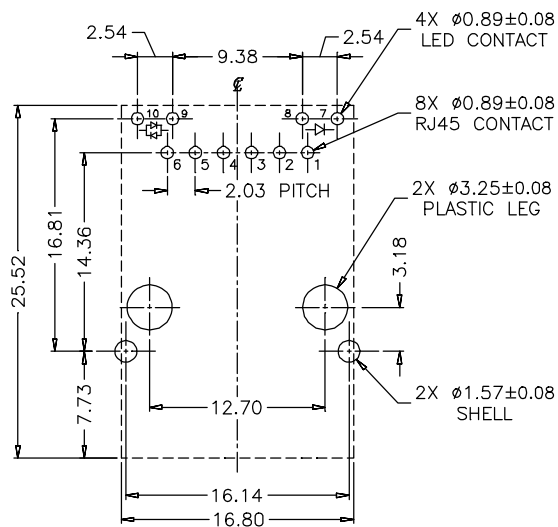
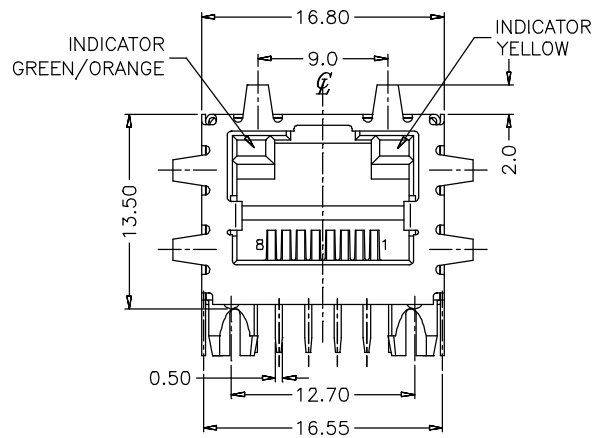
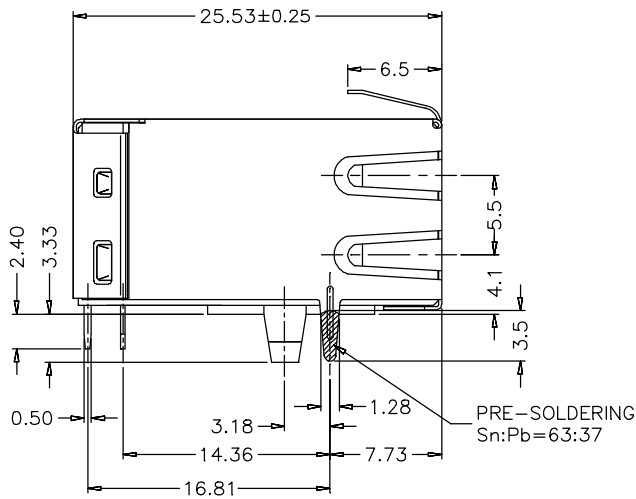
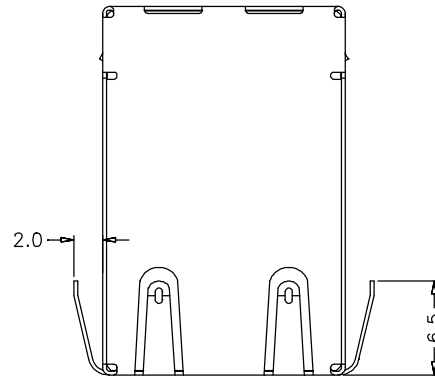
RECOMMENDED PCB LAYOUT  
 COMPONENT SIDE PCB THICKNESS : 1.60mm  
 ALL DIMENSION TOLERANCE ARE ±0.05 UNLESS OTHERWISE SPECIFIED

# RJ45 Integrated Connector

## 10/100 Base-TX, Single Port, Through Hole, with LED

### Package S3L

GENERAL TOLERANCE  
 .XX  $\pm 0.13$   
 .X  $\pm 0.25$



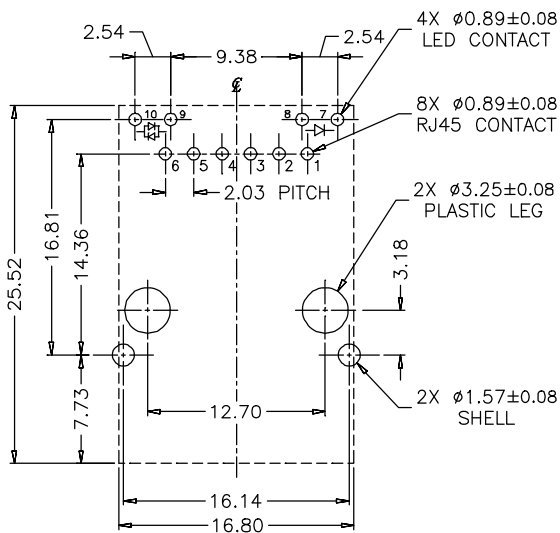
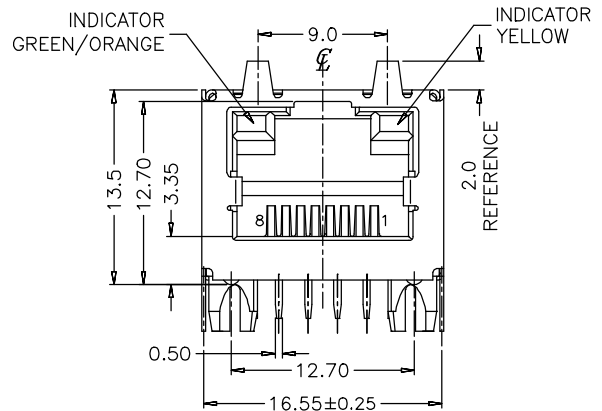
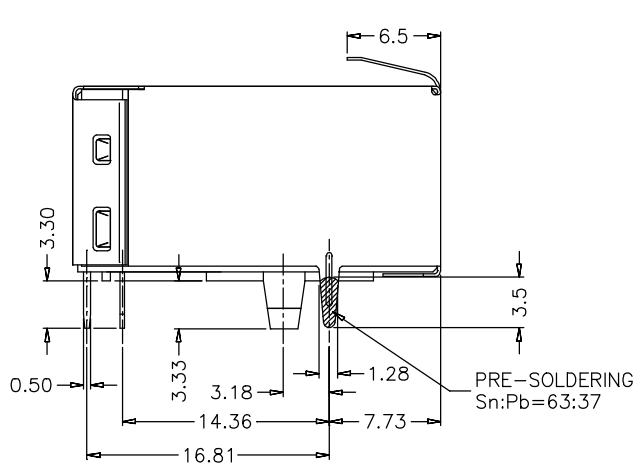
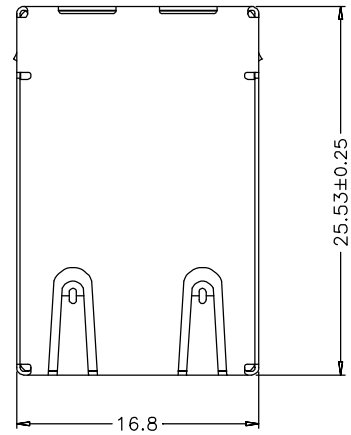
RECOMMENDED PCB LAYOUT  
 COMPONENT SIDE PCB THICKNESS : 1.60mm  
 ALL DIMENSION TOLERANCE ARE  $\pm 0.05$  UNLESS OTHERWISE SPECIFIED

# RJ45 Integrated Connector

## 10/100 Base-TX, Single Port, Through Hole, with LED

### Package S3L2

GENERAL TOLERANCE  
 .XX ±0.13  
 .X ±0.25



RECOMMENDED PCB LAYOUT  
 COMPONENT SIDE PCB THICKNESS : 1.60mm  
 ALL DIMENSION TOLERANCE ARE ±0.05 UNLESS OTHERWISE SPECIFIED

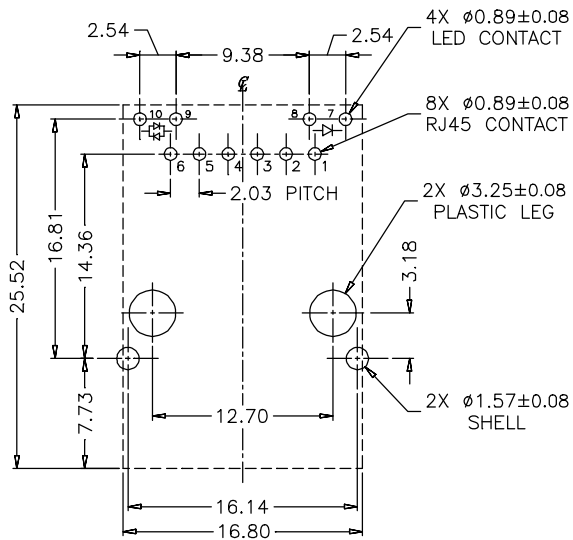
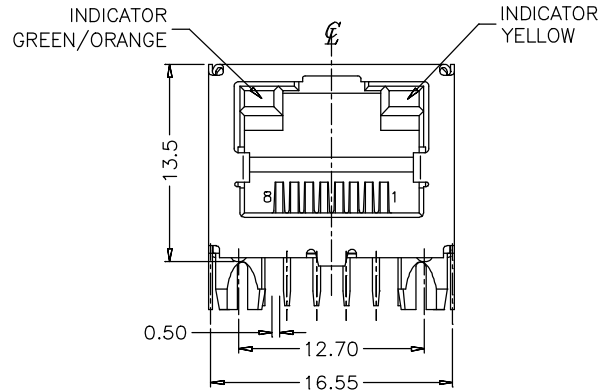
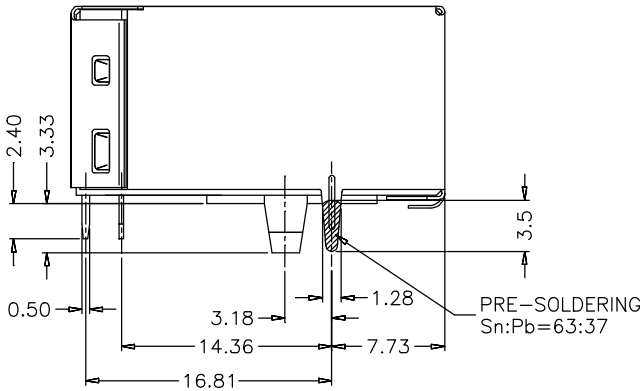
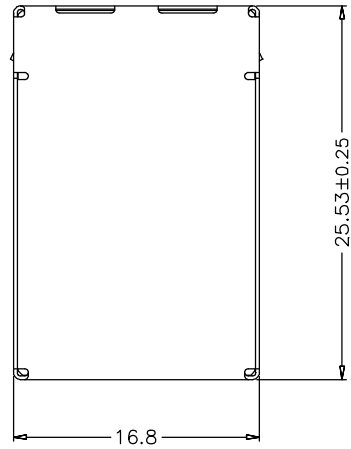


# RJ45 Integrated Connector

10/100 Base-TX, Single Port, Through Hole, with LED

## Package S4L

GENERAL TOLERANCE  
 .XX ±0.13  
 .X ±0.25



RECOMMENDED PCB LAYOUT  
 COMPONENT SIDE PCB THICKNESS : 1.60mm  
 ALL DIMENSION TOLERANCE ARE ±0.05 UNLESS OTHERWISE SPECIFIED