

阅读申明

- 1.本站收集的数据手册和产品资料都来自互联网，版权归原作者所有。如读者和版权方有任何异议请及时告之，我们将妥善解决。
- 2.本站提供的中文数据手册是英文数据手册的中文翻译，其目的是协助用户阅读，该译文无法自动跟随原稿更新，同时也可能存在翻译上的不当。建议读者以英文原稿为参考以便获得更精准的信息。
- 3.本站提供的产品资料，来自厂商的技术支持或者使用者的心得体会等，其内容可能存在描述上的差异，建议读者做出适当判断。
- 4.如需与我们联系，请发邮件到marketing@iczoom.com，主题请标有“数据手册”字样。

Read Statement

1. The datasheets and other product information on the site are all from network reference or other public materials, and the copyright belongs to the original author and original published source. If readers and copyright owners have any objections, please contact us and we will deal with it in a timely manner.
2. The Chinese datasheets provided on the website is a Chinese translation of the English datasheets. Its purpose is for reader's learning exchange only and do not involve commercial purposes. The translation cannot be automatically updated with the original manuscript, and there may also be improper translations. Readers are advised to use the English manuscript as a reference for more accurate information.
3. All product information provided on the website refer to solutions from manufacturers' technical support or users the contents may have differences in description, and readers are advised to take the original article as the standard.
4. If you have any questions, please contact us at marketing@iczoom.com and mark the subject with "Datasheets" .



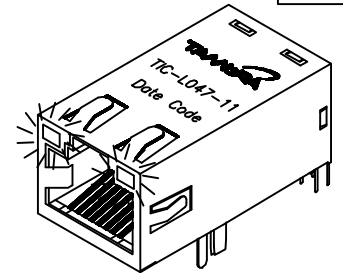
RJ45 Integrated Connector

Gigabit, Single Port, Through Hole, LED's, Tab-Up

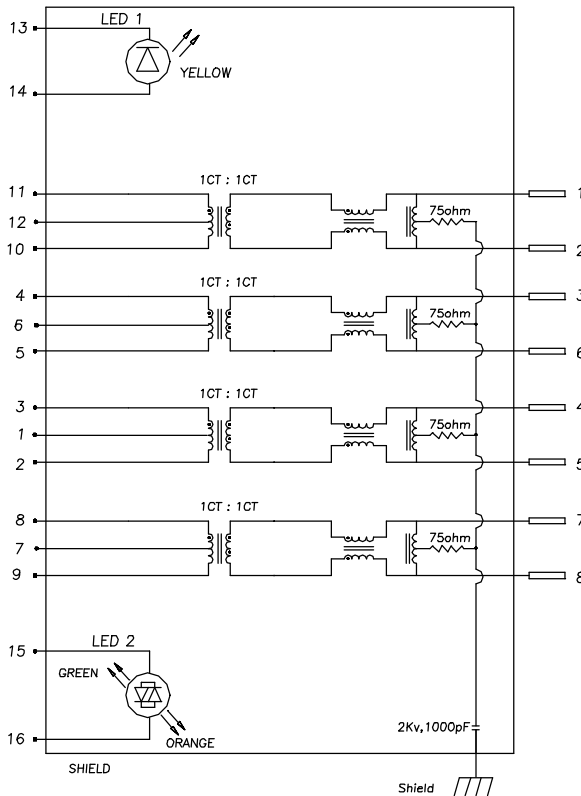
MODEL NUMBER
TIC-L047-11

- Meets IEEE 802.3 and ANSI X3.263
- Operating temperature: 0°C to +85°C
- Storage Temperature: -40°C to +85°C

Package Information			
Weight		Quantity	
weight/pcs (g)	weight/carton (kg)	quantity/tray (pcs)	quantity/carton (pcs)
TBD	TBD	TBD	TBD



Electrical Specification @ 25°C										
Insertion Loss (dB Max)	Return Loss (dB Min)				CMRR (dB Min)	Crosstalk (dB Min)	OCL (μH Min)	Hipot (Vrms)	Impedance (Ω)	
1-100 MHz	1-30 MHz	60 MHz	80 MHz	100 MHz	1-100 MHz	1-100 MHz	8mA Dc Bias	1 minute		
-1	-18	-16	-12	-10	-30	-25	350	1500	100	



PREPARED BY:

D. Rund

ENGINEER:

L. Le

QUALITY CONTROL:

D. Kelley

APPROVED:

J. Coleman

DWG CONTROL NO.
P-A1-13085
ACAD\TIC\A1130851.DWG

REV
PRE

RJ45
INTEGRATED CONNECTOR

TAMURA CORPORATION OF AMERICA
43352 BUSINESS PARK DRIVE, TEMECULA, CA. 92590-6624
(909) 699-1270 FAX 9096769482

TIC-L047-11

MODEL SPECIFICATION

DIM: mm(in) SCL: NONE SH: 1 OF 2

PROPRIETARY NOTICE: THIS DRAWING PRINT OR DOCUMENT AND SUBJECT MATTER DISCLOSED HEREIN ARE PROPRIETARY ITEMS TO WHICH TAMURA RETAINS THE EXCLUSIVE RIGHT OF DISSEMINATION, REPRODUCTION, MANUFACTURE AND SALE. THIS DRAWING, PRINT OR DOCUMENT IS SUBMITTED IN CONFIDENCE FOR CONSIDERATION BY THE RECIPIENT ALONE UNLESS PERMISSION FOR FURTHER DISCLOSURE IS EXPRESSLY GRANTED IN WRITING.

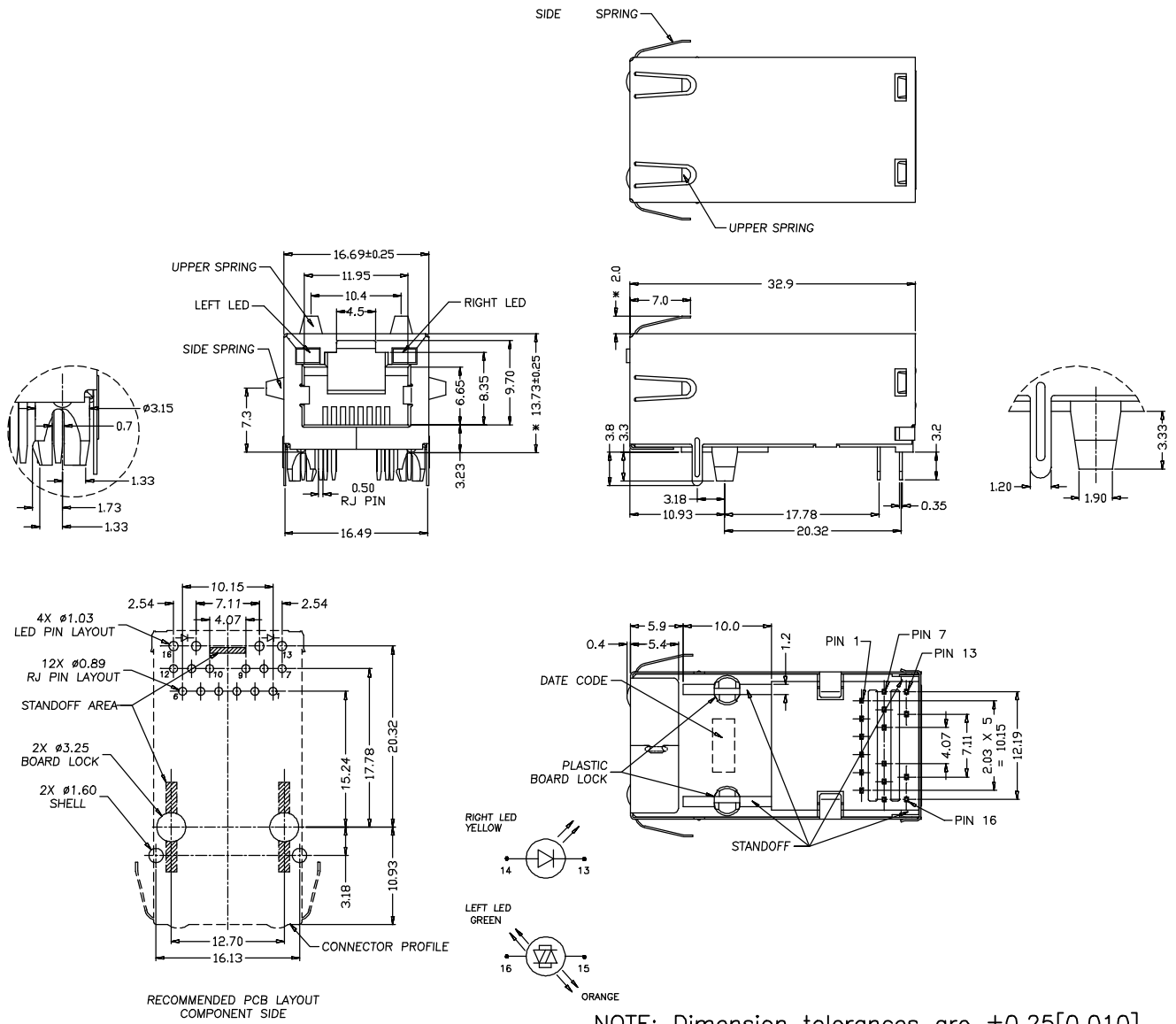


RJ45 Integrated Connector

Gigabit, Single Port, Through Hole, LED's, Tab-Up

Mechanical Material Specification

Contact										Shell		
Contact Finish												
RJ Contact				Link and Joint Contacts								
Contact Material	Contact Area	Solder Tail	Under-plating	Link Contact	Joint Contact	Contact Area	Solder Tail Area	Under-plating	Housing and Case	Front	Back	
				Material								
Phosphor Bronze	Gold	Tin/Lead (9:1)	Nickel	Brass		Brass	Tin/Lead (9:1)	Nickel	Thermal-plastic	Brass Tin/Lead Nickel	Stainless SUS 304	Stainless SUS304 -1/2H
0.30mm thick	30μ" MIN	100μ" MIN	50-100μ" MIN	0.25mm thick	0.35mm thick	120μ" MIN	100μ" MIN	50-100μ" MIN	Black UL 94V-0	0.20mm thick	0.20mm thick	0.25mm thick



PREPARED BY:

D. Rund

ENGINEER:

L. Le

QUALITY CONTROL:

D. Kelley

APPROVED:

J. Coleman

DWG CONTROL NO. P-A1-13085
ACAD\TIC\A113085.DWG

REV PRE

RJ45 INTEGRATED CONNECTOR

TAMURA CORPORATION OF AMERICA
43352 BUSINESS PARK DRIVE, TEMECULA, CA. 92590-6624
(909) 699-1270 FAX 9096769482

TIC-L047-11
MODEL SPECIFICATION

DIM: MM[IN] SCL: NONE SH: 2 OF 2

NOTE: Dimension tolerances are ±0.25[0.010]

PROPRIETARY NOTICE: THIS DRAWING PRINT OR DOCUMENT AND SUBJECT MATTER DISCLOSED HEREIN ARE PROPRIETARY ITEMS TO WHICH TAMURA RETAINS THE EXCLUSIVE RIGHT OF DISSEMINATION, REPRODUCTION, MANUFACTURE AND SALE. THIS DRAWING, PRINT OR DOCUMENT IS SUBMITTED IN CONFIDENCE FOR CONSIDERATION BY THE RECIPIENT ALONE UNLESS PERMISSION FOR FURTHER DISCLOSURE IS EXPRESSLY GRANTED IN WRITING.