

## 阅读申明

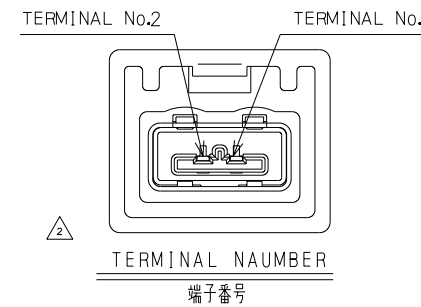
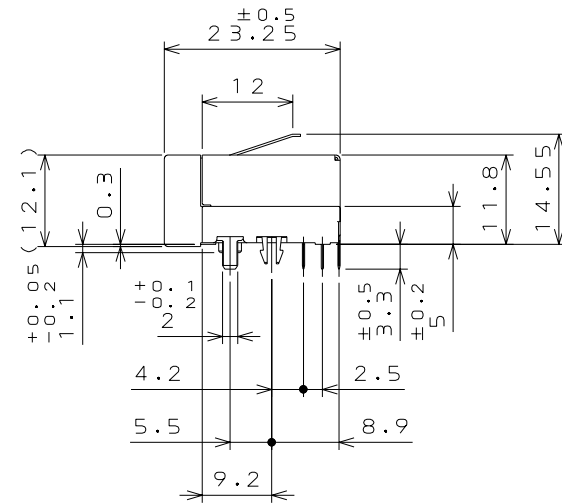
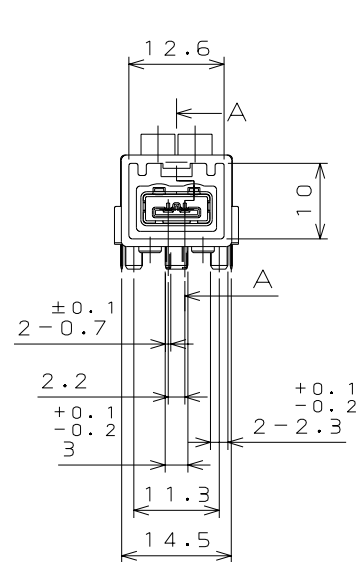
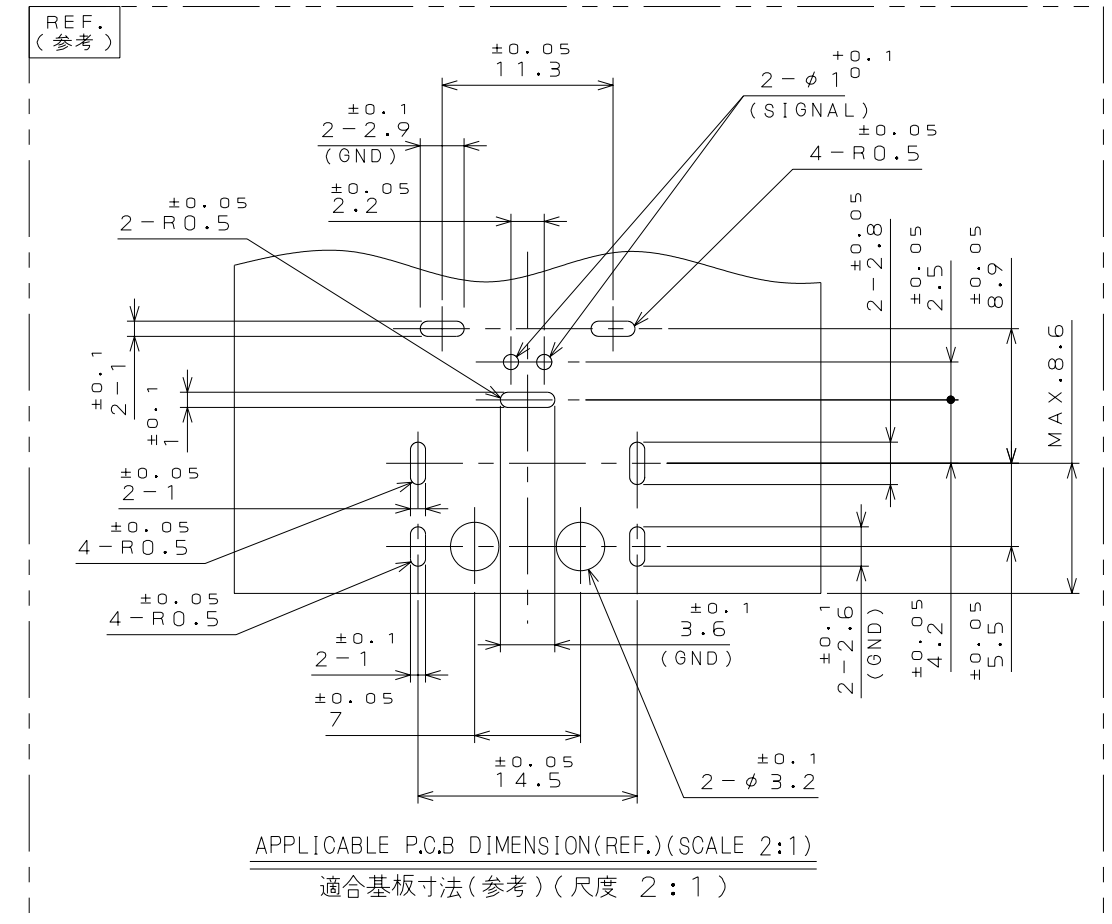
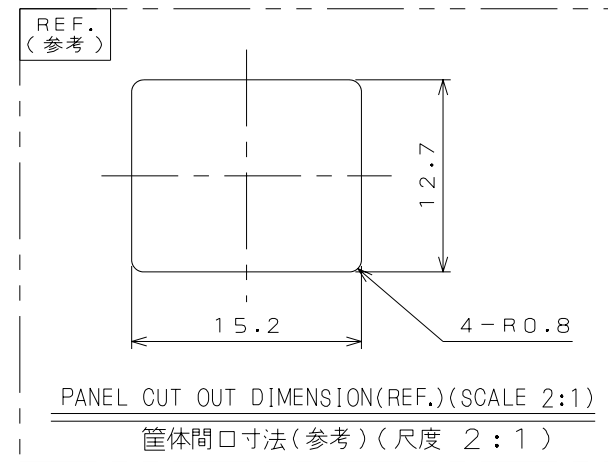
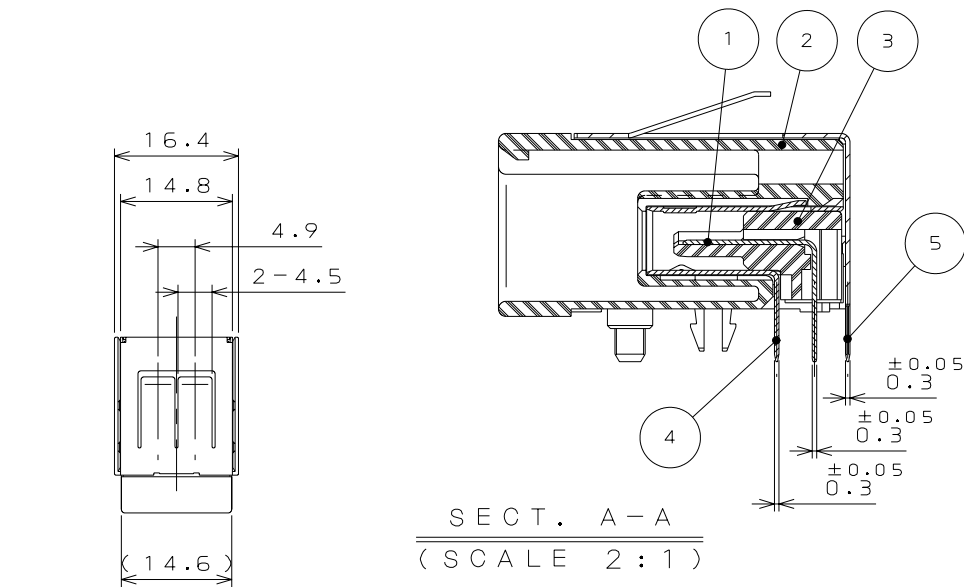
- 1.本站收集的数据手册和产品资料都来自互联网，版权归原作者所有。如读者和版权方有任何异议请及时告之，我们将妥善解决。
- 2.本站提供的中文数据手册是英文数据手册的中文翻译，其目的是协助用户阅读，该译文无法自动跟随原稿更新，同时也可能存在翻译上的不当。建议读者以英文原稿为参考以便获得更精准的信息。
- 3.本站提供的产品资料，来自厂商的技术支持或者使用者的心得体会等，其内容可能存在描述上的差异，建议读者做出适当判断。
- 4.如需与我们联系，请发邮件到marketing@iczoom.com，主题请标有“数据手册”字样。

## Read Statement

1. The datasheets and other product information on the site are all from network reference or other public materials, and the copyright belongs to the original author and original published source. If readers and copyright owners have any objections, please contact us and we will deal with it in a timely manner.
2. The Chinese datasheets provided on the website is a Chinese translation of the English datasheets. Its purpose is for reader's learning exchange only and do not involve commercial purposes. The translation cannot be automatically updated with the original manuscript, and there may also be improper translations. Readers are advised to use the English manuscript as a reference for more accurate information.
3. All product information provided on the website refer to solutions from manufacturers' technical support or users the contents may have differences in description, and readers are advised to take the original article as the standard.
4. If you have any questions, please contact us at marketing@iczoom.com and mark the subject with "Datasheets" .

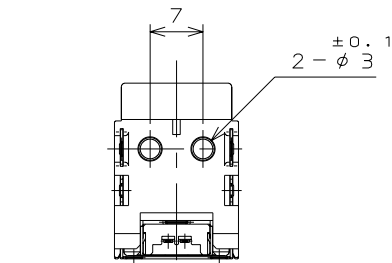
950201RS  
 (ON ENIMARD) 台機理図

版数 REV.	年月日 DATE	DCN NO.	変更内容 DESCRIPTION	製図 DR.	担当 CHK.	査閲 APPD.	承認 APPD.
2	28.Feb.2005	056816	ADDED NOTE 2		N.OGAWA		T.OKA
3	22.Mar.2005	056987	ADDED NOTE 3		N.OGAWA		T.OKA



NOTE 1. APPLICABLE PRINTED CIRCUIT BOARD:THICKNESS 1.6mm.  
 2. TERMINAL NUMBER OF THE CONNECTOR IS SHOWN IN ABOVE FIGURE.  
 3. RECOMMENDED PANEL POSITION IF CONNECT PANEL AND CONNECTOR SHELL AS GROUND.  
 (DISTANCE BETWEEN P.C.B TO PANEL):12.8±0.2mm

注1. 適用プリント基板:板厚 1.6mm.  
 2. コネクタの端子番号は上図による.  
 3. 筐体にグラウンド接続する場合の筐体推奨位置(基板上面から筐体内面までの距離):12.8±0.2mm



REFERENCE ONLY  
**JAE**

特別管理品目  
 SPECIAL CONTROL ITEM  
 MX(AUTO)

符号 NO.	名称 DESCRIPTION	個数 QTY.	材料 MATERIAL	仕上 FINISH	備考 REMARKS
5	SHELL	1	COPPER ALLOY	TIN PLATING	
4	GND TERMINAL	1	COPPER ALLOY	TIN PLATING	
3	HOUSING B	1	30%GF SPS		COLOR:BLACK
2	HOUSING A	1	30%GF SPS		COLOR:LIGHT BLUE
1	TERMINAL	2	BRASS	SELECTIVE GOLD PLATING SELECTIVE TIN PLATING	

仕様書(SPECIFICATION)	第1版(ORIGINAL DATE) 29.Oct.2004	尺度(SCALE) 1:1	シリーズ(SERIES) MX38	日本航空電子工業株式会社 JAPAN AVIATION ELECTRONICS INDUSTRY, LTD. <b>JAE</b>	図面番号(DRAWING NO.) SJ102056
一般公差(GENERAL TOLERANCE)	製図 DR.	名称(TITLE) MX38002NQ4			
寸法(DIMENSION)	担当 CHK. 査閲 APPD.	質量(MASS)			
角度(ANGLES)	承認 APPD. T.OKA	質量(MASS)			