

## 阅读申明

- 1.本站收集的数据手册和产品资料都来自互联网，版权归原作者所有。如读者和版权方有任何异议请及时告之，我们将妥善解决。
- 2.本站提供的中文数据手册是英文数据手册的中文翻译，其目的是协助用户阅读，该译文无法自动跟随原稿更新，同时也可能存在翻译上的不当。建议读者以英文原稿为参考以便获得更精准的信息。
- 3.本站提供的产品资料，来自厂商的技术支持或者使用者的心得体会等，其内容可能存在描述上的差异，建议读者做出适当判断。
- 4.如需与我们联系，请发邮件到marketing@iczoom.com，主题请标有“数据手册”字样。

## Read Statement

1. The datasheets and other product information on the site are all from network reference or other public materials, and the copyright belongs to the original author and original published source. If readers and copyright owners have any objections, please contact us and we will deal with it in a timely manner.
2. The Chinese datasheets provided on the website is a Chinese translation of the English datasheets. Its purpose is for reader's learning exchange only and do not involve commercial purposes. The translation cannot be automatically updated with the original manuscript, and there may also be improper translations. Readers are advised to use the English manuscript as a reference for more accurate information.
3. All product information provided on the website refer to solutions from manufacturers' technical support or users the contents may have differences in description, and readers are advised to take the original article as the standard.
4. If you have any questions, please contact us at marketing@iczoom.com and mark the subject with "Datasheets" .

# POWER ENTRY MODULES

## SCREW MOUNTING

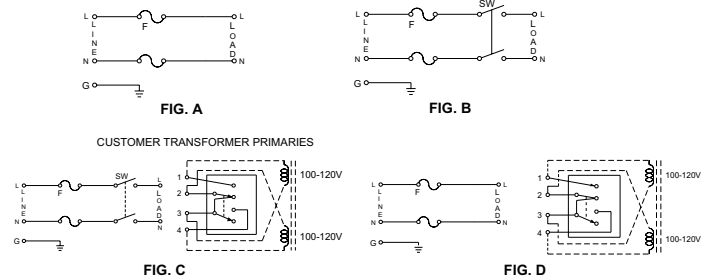
### INTRODUCTIONS

1. Designed to meet globally accepted IEC publication 320 Class 1, that allows users to comply with industry standard in power entry requirement.
2. Connector for cold condition, with pin temperature 65°C max.
3. Nickel-plated brass pins and soldering terminals.
4. Screw-on mount from front or rear (with screw type-M3).
5. Power module incorporates an IEC connector, double-fuse holder, voltage selector, double-pole power switch, all-in-one easy-to-install unit.
6. Double-fuse holder designed for two fuses and two spare fuses (all 5x20mm fuses).
7. Adapts to 100-120V or 200-240V input voltage simply by reversing the voltage selector card.
8. Compact design and high volume production provide maximum flexibility and significant savings in space and cost over assembly of individual components.
9. All part numbers are UL recognized, CSA & VDE approved.
10. Power modules with built-in filters are also available. See Delta EMI Filter catalog for CK and CR series.

### SPECIFICATIONS

1. Rated voltage: 250VAC
2. Minimum insulation resistance at 500VDC: 10M OHM
3. Dielectric strength (one minute): 2000VAC between pins
4. Flammability class: UL 94V-0

### ELECTRICAL SCHEMATIC



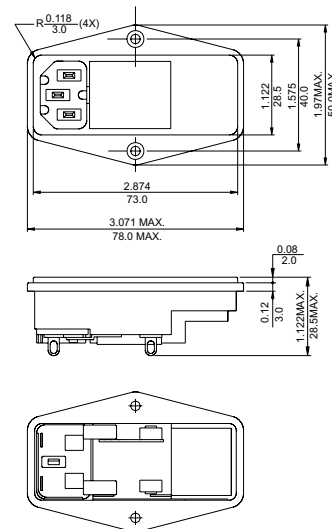
### TYPE & RATED CURRENT

DELTA PART NUMBER		10C1	10C2	10C3	10C4	REMARKS: * 1. FUSE HOLDER "D" FOR DOUBLE-FUSE HOLDER * 2. DOUBLE-POLE POWER SWITCH UL, CSA AND VDE APPROVED AT 10A/250VAC ELECTRICAL LIFETIME: 10,000 CYCLES MAXIMUM IN-RUSH CURRENT: 51A * 3. VOLTAGE SELECTOR CARD RATING UL/CSA/VDE-10A/250VAC
RATED CURRENT (AT 250VAC)	UL/CSA	10A	10A	10A	10A	
	VDE	10A	10A	10A	10A	
CONNECTOR TYPE	MALE	△	△	△	△	
	FEMALE					
FUSE HOLDER	*	D *1	D *1	D *1	D *1	
POWER SWITCH	*	-	DP *2	DP *2	-	
VOLTAGE SELECTOR	*	-	-	FRONT *3	FRONT *3	
ELECTRICAL SCHEMATIC		FIG. A	FIG. B	FIG. C	FIG. D	

### MECHANICAL CONSTRUCTION



10C1

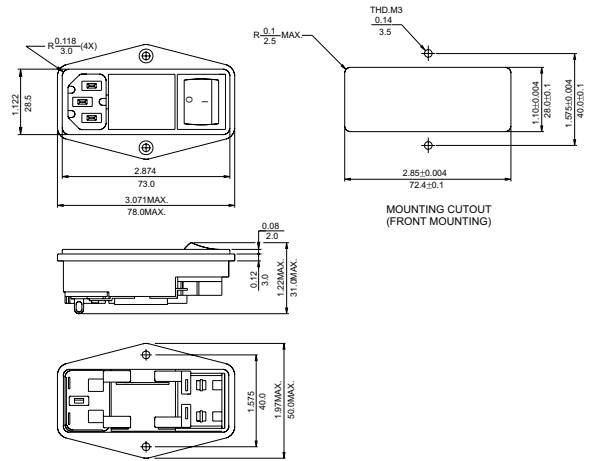


UNIT:  $\frac{\text{INCH}}{\text{mm}}$

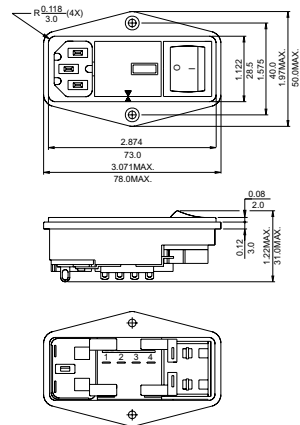
# MECHANICAL CONSTRUCTION



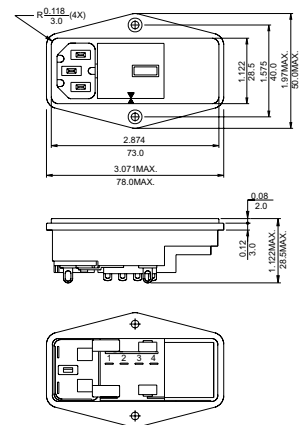
10C2



10C3



10C4



UNIT:  $\frac{\text{INCH}}{\text{mm}}$