

阅读申明

- 1.本站收集的数据手册和产品资料都来自互联网，版权归原作者所有。如读者和版权方有任何异议请及时告之，我们将妥善解决。
- 2.本站提供的中文数据手册是英文数据手册的中文翻译，其目的是协助用户阅读，该译文无法自动跟随原稿更新，同时也可能存在翻译上的不当。建议读者以英文原稿为参考以便获得更精准的信息。
- 3.本站提供的产品资料，来自厂商的技术支持或者使用者的心得体会等，其内容可能存在描述上的差异，建议读者做出适当判断。
- 4.如需与我们联系，请发邮件到marketing@iczoom.com，主题请标有“数据手册”字样。

Read Statement

1. The datasheets and other product information on the site are all from network reference or other public materials, and the copyright belongs to the original author and original published source. If readers and copyright owners have any objections, please contact us and we will deal with it in a timely manner.
2. The Chinese datasheets provided on the website is a Chinese translation of the English datasheets. Its purpose is for reader's learning exchange only and do not involve commercial purposes. The translation cannot be automatically updated with the original manuscript, and there may also be improper translations. Readers are advised to use the English manuscript as a reference for more accurate information.
3. All product information provided on the website refer to solutions from manufacturers' technical support or users the contents may have differences in description, and readers are advised to take the original article as the standard.
4. If you have any questions, please contact us at marketing@iczoom.com and mark the subject with "Datasheets" .



NB SB SERIES

POWER ENTRY MODULE FILTERS



INTRODUCTIONS

1. Applications for UL 544 & UL 2601 health care equipment.
2. Power module incorporates an IEC connector, single or double-fuse (IEC 5x20mm) holder, and double-pole power switch, plus an EMI filter all-in-one easy-to-install unit.

COMPONENTS

PART NO.	C1 (uF)	L (mH)	R (Ohm)
03NB3M	0.1	2.5	1.0
03NB4M			
04NB3M		2.0	
04NB4M			
06NB3M		1.05	
06NB4M			
10NB3M		0.2	
10NB4M			
03SB3M		2.5	
03SB4M			
04SB3M	2.0		
04SB4M			
06SB3M	1.05		
06SB4M			
• 10SB3M	0.2		
• 10SB4M			

- VDE approved 6A to 250VAC

TYPE & RATED CURRENT

DELTA PART NO.		03NB3M/SB3M	04NB3M/SB3M	06NB3M/SB3M	10NB3M/SB3M	03NB4M/SB4M	04NB4M/SB4M	06NB4M/SB4M	10NB4M/SB4M
RATED CURRENT	115VAC	3A	4A	6A	10A	3A	4A	6A	10A
	250VAC	3A	4A	6A	6A	3A	4A	6A	6A
IEC CONNECTOR		▲	▲	▲	▲	▲	▲	▲	▲
FUSE		DOUBLE	DOUBLE	DOUBLE	DOUBLE	DOUBLE	DOUBLE	DOUBLE	DOUBLE
*DOUBLE-POLE POWER SWITCH		▲	▲	▲	▲	-	-	-	-
ELECTRICAL SCHEMATIC		FIG. A	FIG. A	FIG. A	FIG. A	FIG. B	FIG. B	FIG. B	FIG. B

3S,4S Fuse single

NB4,SB4 W/O Switch

* UL,CSA,VDE approved current rating: UL/CSA-10A

Electrical lifetime: 10,000 cycles.

Maximum inrush current: 51A

MINIMUM INSERTION LOSS IN dB

COMMON MODE (L-G) IN 50 OHM SYSTEM						
CURRENT RATING	FREQUENCY-MHz					
	.15	.50	1.0	5.0	10	30
03NB3M/SB3M	20	25	25	25	20	10
03NB4M/SB4M	20	25	25	25	20	10
04NB3M/SB3M	20	22	25	25	20	10
04NB4M/SB4M	20	22	25	25	20	10
06NB3M/SB3M	12	15	15	20	20	12
06NB4M/SB4M	12	15	15	20	20	12
10NB3M/SB3M	5	10	10	10	10	7
10NB4M/SB4M	5	10	10	10	10	7

COMMON MODE (L-L) IN 50 OHM SYSTEM						
CURRENT RATING	FREQUENCY-MHz					
	.15	.50	1.0	5.0	10	30
03NB3M/SB3M	4	12	15	25	25	20
03NB4M/SB4M	4	12	15	25	25	20
04NB3M/SB3M	5	10	18	25	25	20
04NB4M/SB4M	5	10	18	25	25	20
06NB3M/SB3M	3	10	15	20	25	20
06NB4M/SB4M	3	10	15	20	25	20
10NB3M/SB3M	4	10	15	22	22	20
10NB4M/SB4M	4	10	15	22	22	20

SPECIFICATIONS

1. Maximum leakage current each line-to-ground @ 115VAC 60Hz: 2uA @ 250VAC 50Hz: 5uA
2. Hipot rating (one minute) line-to-ground: 2250VDC line-to-line: 1450VDC
3. Operating frequency: 50/60Hz
4. Rated voltage: 115/250VAC

ELECTRICAL SCHEMATIC

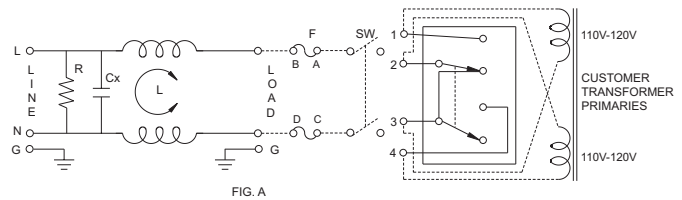


FIG. A
NB3,SB3

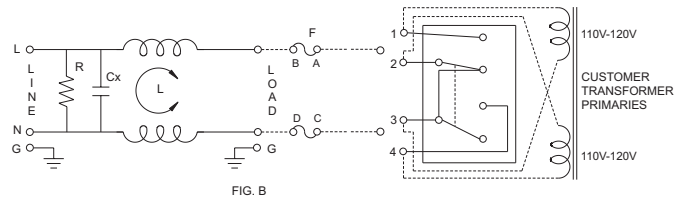
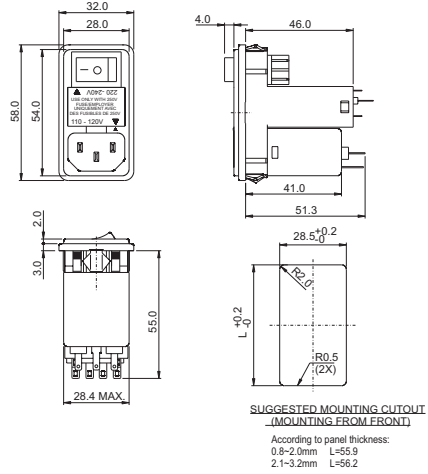


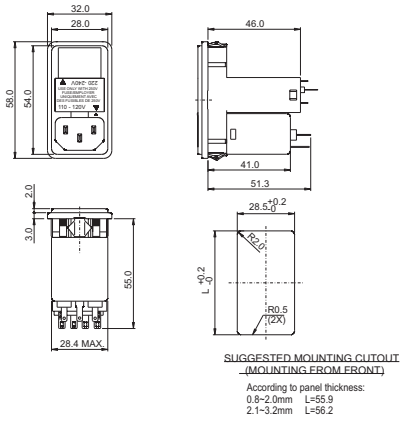
FIG. B
NB4,SB4

MECHANICAL CONSTRUCTION

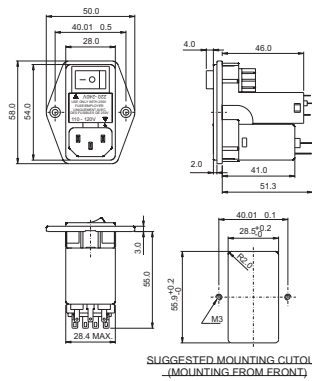
NB3



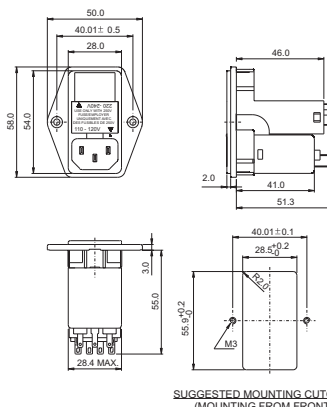
NB4



SB3, 3S



SB4



UNIT: INCH
mm