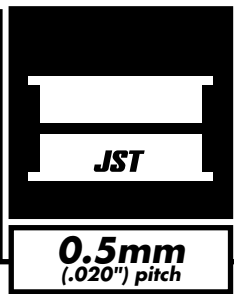


阅读申明

- 1.本站收集的数据手册和产品资料都来自互联网，版权归原作者所有。如读者和版权方有任何异议请及时告之，我们将妥善解决。
- 2.本站提供的中文数据手册是英文数据手册的中文翻译，其目的是协助用户阅读，该译文无法自动跟随原稿更新，同时也可能存在翻译上的不当。建议读者以英文原稿为参考以便获得更精准的信息。
- 3.本站提供的产品资料，来自厂商的技术支持或者使用者的心得体会等，其内容可能存在描述上的差异，建议读者做出适当判断。
- 4.如需与我们联系，请发邮件到marketing@iczoom.com，主题请标有“数据手册”字样。

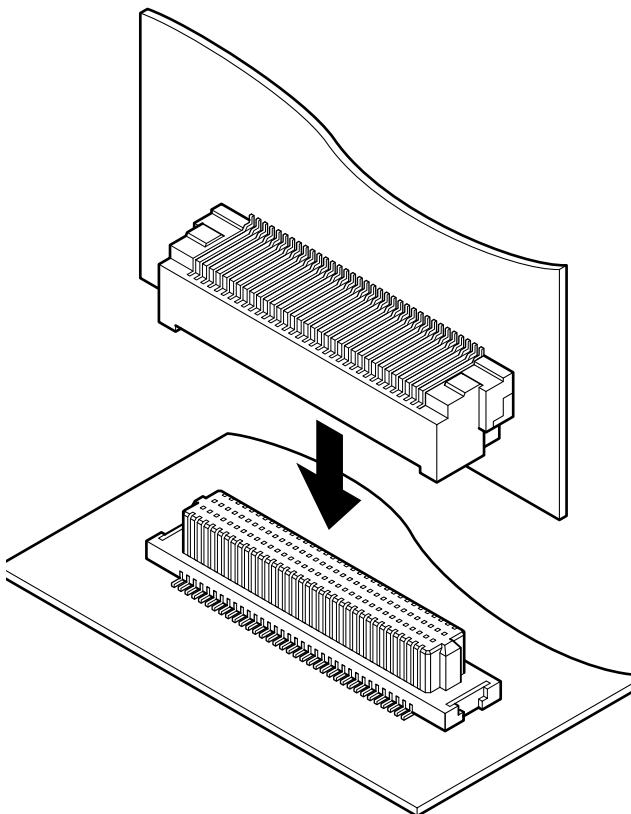
Read Statement

1. The datasheets and other product information on the site are all from network reference or other public materials, and the copyright belongs to the original author and original published source. If readers and copyright owners have any objections, please contact us and we will deal with it in a timely manner.
2. The Chinese datasheets provided on the website is a Chinese translation of the English datasheets. Its purpose is for reader's learning exchange only and do not involve commercial purposes. The translation cannot be automatically updated with the original manuscript, and there may also be improper translations. Readers are advised to use the English manuscript as a reference for more accurate information.
3. All product information provided on the website refer to solutions from manufacturers' technical support or users the contents may have differences in description, and readers are advised to take the original article as the standard.
4. If you have any questions, please contact us at marketing@iczoom.com and mark the subject with "Datasheets" .



JMD CONNECTOR

Board-to-board connectors



Features

- **Smooth connection**

Thanks to the cantilever type contacts, mating is very smooth.

- **Distortion preventive construction**

Box-shaped plug housing has guide ribs on both ends, which prevents distortion.

- **Wide range of circuits**

No. of circuits available are from 20 to 100, every 10 circuits.

- **Embossed taping for automatic mounting**

This connector is supplied in embossed tape packaging, for mounting by automatic placement machines.

Specifications

- Current rating: 0.5A AC,DC
- Voltage rating: 50V AC,DC
- Temperature range: -25°C to +85°C
(including temperature rise in applying electrical current)
- Contact resistance: Initial value/50m Ω max.
After environmental testing/100m Ω max.
- Insulation resistance: 50M Ω min.
- Withstanding voltage: 100V AC/minute
- * Contact JST if Lead-Free product is required.
- * Refer to "General Instruction and Notice when using Terminals and Connectors" at the end of this catalog.
- * Contact JST for details.

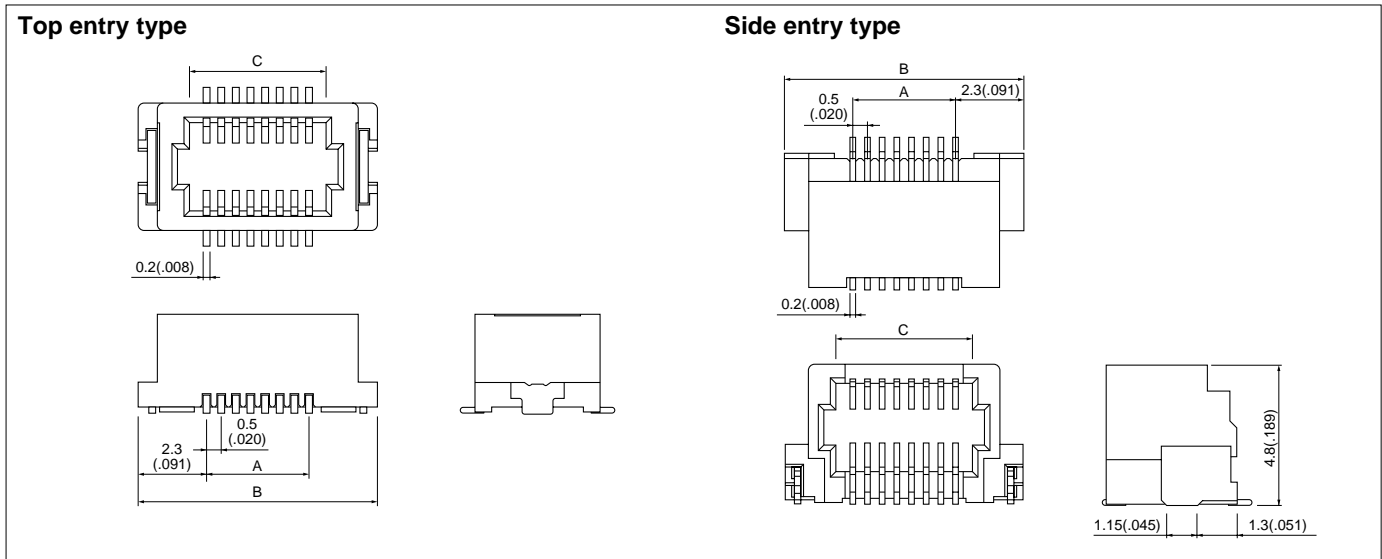
Standards

Recognized E60389

Certified LR20812

JMD CONNECTOR

Plug



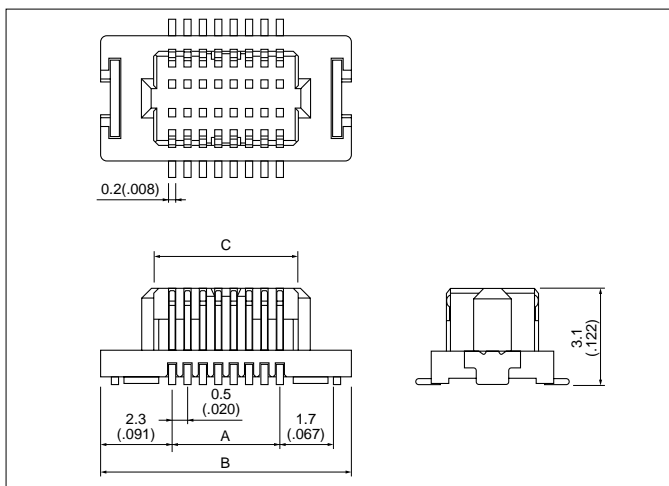
Circuits	Model No.				Dimensions mm(in.)			Q'ty / reel
	Top entry type			Side entry type	A	B	C	
	4.5mm (.177")	5.0mm (.197")	6.0mm (.236")					
20	20P-JMDSS-G-1-TF	—	—	20PS-JMDSS-G-1-TF	4.5(.177)	9.1(.358)	5.7(.224)	1,500
30	—	30P5.0-JMDSS-G-1-TF	—	30PS-JMDSS-G-1-TF	7.0(.276)	11.6(.457)	8.2(.323)	1,500
40	40P-JMDSS-G-1-TF	40P5.0-JMDSS-G-1-TF	—	40PS-JMDSS-G-1-TF	9.5(.374)	14.1(.555)	10.7(.421)	1,500
50	50P-JMDSS-G-1-TF	—	50P6.0-JMDSS-G-1-TF	50PS-JMDSS-G-1-TF	12.0(.472)	16.6(.654)	13.2(.520)	1,500
60	60P-JMDSS-G-1-TF	—	60P6.0-JMDSS-G-1-TF	60PS-JMDSS-G-1-TF	14.5(.571)	19.1(.752)	15.7(.618)	1,500
70	70P-JMDSS-G-1-TF	—	70P6.0-JMDSS-G-1-TF	70PS-JMDSS-G-1-TF	17.0(.669)	21.6(.850)	18.2(.717)	1,500
80	80P-JMDSS-G-1-TF	—	—	80PS-JMDSS-G-1-TF	19.5(.768)	24.1(.949)	20.7(.815)	1,500
100	100P-JMDSS-G-1-TF	—	—	100PS-JMDSS-G-1-TF	24.5(.965)	29.1(1.146)	25.7(1.012)	1,500

Material and Finish

Contact: Phosphor bronze, gold-plated
Housing: Polyamide, UL94V-0
Solder tab: Brass, copper-undercoated, tin/lead-plated

Note: The products listed above are supplied on embossed-tape.

Receptacle



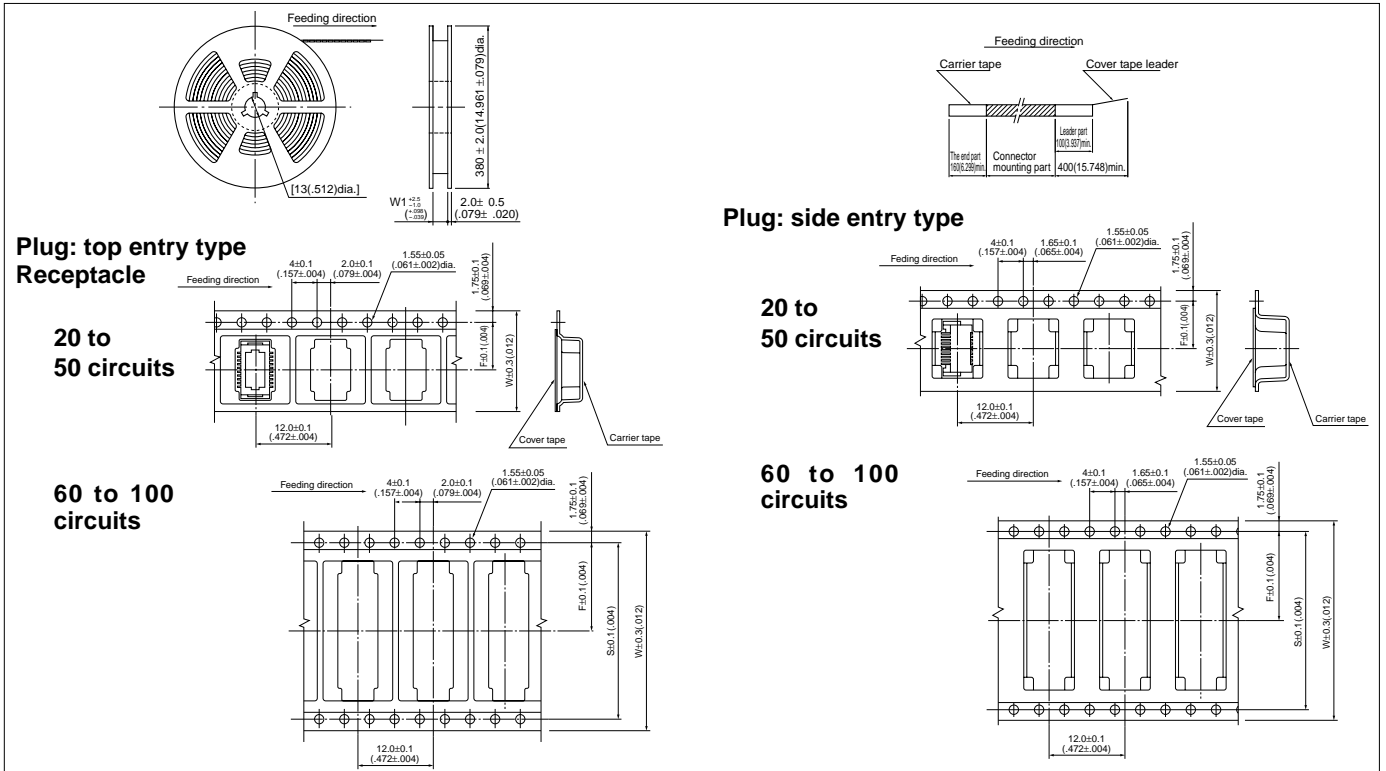
Circuits	Model No.	Dimensions mm(in.)			Q'ty / reel
		A	B	C	
20	20R-JMDSS-G-1-TF	4.5(.177)	9.1(.358)	5.7(.224)	1,500
30	30R-JMDSS-G-1-TF	7.0(.276)	11.6(.457)	8.2(.323)	1,500
40	40R-JMDSS-G-1-TF	9.5(.374)	14.1(.555)	10.7(.421)	1,500
50	50R-JMDSS-G-1-TF	12.0(.472)	16.6(.654)	13.2(.520)	1,500
60	60R-JMDSS-G-1-TF	14.5(.571)	19.1(.752)	15.7(.618)	1,500
70	70R-JMDSS-G-1-TF	17.0(.669)	21.6(.850)	18.2(.717)	1,500
80	80R-JMDSS-G-1-TF	19.5(.768)	24.1(.949)	20.7(.815)	1,500
100	100R-JMDSS-G-1-TF	24.5(.965)	29.1(1.146)	25.7(1.012)	1,500

Material and Finish

Contact: Phosphor bronze, gold-plated
Housing: Polyamide, UL94V-0
Solder tab: Brass, copper-undercoated, tin/lead-plated

Note: The products listed above are supplied on embossed-tape.

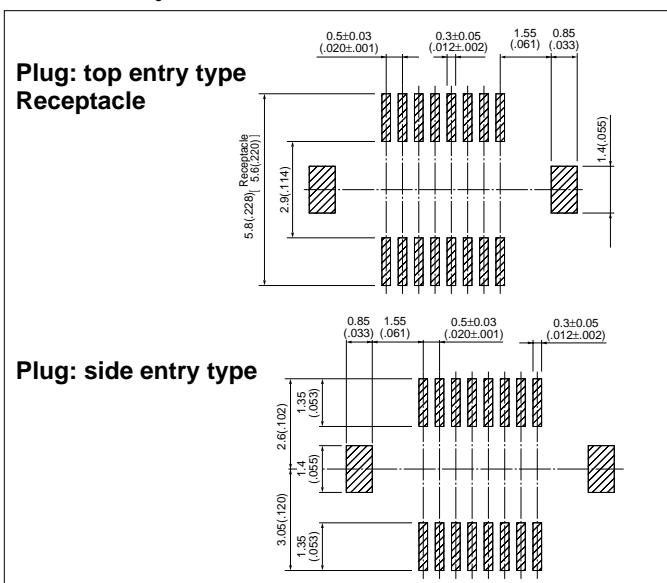
Taping specifications



Cir- cuits	Dimensions mm(in.)				Q'ty / reel
	F	S	W	W1	
20	7.5(.295)	—	16.0(.630)	17.5(.689)	1,500
30	11.5(.453)	—	24.0(.945)	25.5(1.004)	1,500
40	11.5(.453)	—	24.0(.945)	25.5(1.004)	1,500
50	11.5(.453)	—	24.0(.945)	25.5(1.004)	1,500
60	14.2(.559)	28.4(1.118)	32.0(1.260)	32.0(1.260)	1,500
70	14.2(.559)	28.4(1.118)	32.0(1.260)	32.0(1.260)	1,500
80	20.2(.795)	40.4(1.591)	44.0(1.732)	44.0(1.732)	1,500
100	20.2(.795)	40.4(1.591)	44.0(1.732)	44.0(1.732)	1,500

Note: 1. Specifications conform to JIS C 0806. The tape width, connector loading recess square hole dimensions, etc. are determined by the number of circuits and external shape of the connector to be loaded.
2. Specifications are subject to change without prior notice.

PC board layout (viewed from component side)



Note:

1. Tolerances are non-cumulative: $\pm 0.03\text{mm}$ ($\pm 0.001''$) for all centers.
2. The dimensions above should serve as a guideline. Contact JST for details.

Assembly layout

