

阅读申明

- 1.本站收集的数据手册和产品资料都来自互联网，版权归原作者所有。如读者和版权方有任何异议请及时告之，我们将妥善解决。
- 2.本站提供的中文数据手册是英文数据手册的中文翻译，其目的是协助用户阅读，该译文无法自动跟随原稿更新，同时也可能存在翻译上的不当。建议读者以英文原稿为参考以便获得更精准的信息。
- 3.本站提供的产品资料，来自厂商的技术支持或者使用者的心得体会等，其内容可能存在描述上的差异，建议读者做出适当判断。
- 4.如需与我们联系，请发邮件到marketing@iczoom.com，主题请标有“数据手册”字样。

Read Statement

1. The datasheets and other product information on the site are all from network reference or other public materials, and the copyright belongs to the original author and original published source. If readers and copyright owners have any objections, please contact us and we will deal with it in a timely manner.
2. The Chinese datasheets provided on the website is a Chinese translation of the English datasheets. Its purpose is for reader's learning exchange only and do not involve commercial purposes. The translation cannot be automatically updated with the original manuscript, and there may also be improper translations. Readers are advised to use the English manuscript as a reference for more accurate information.
3. All product information provided on the website refer to solutions from manufacturers' technical support or users the contents may have differences in description, and readers are advised to take the original article as the standard.
4. If you have any questions, please contact us at marketing@iczoom.com and mark the subject with "Datasheets" .

NEW

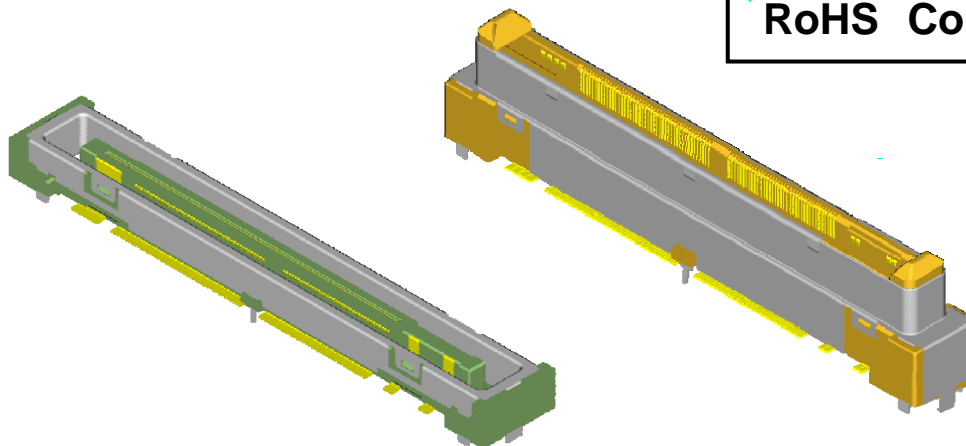

Docking Connector Compatible to PCI Express

CONNECTOR

MB-0137-2

July 2006

WD1 Series

RoHS Compliant

Along with the shift of the internal transmission method of PC from PCI to PCI Express, the demands for high speed transmission connectors are increasing.

WD1 Series are docking connectors available for PCI Express signal transmission.

Features

- Compatible to high speed serial transmission such as PCI Express.
- Provided with contacts exclusively for power and modem, besides the signal contacts.
- Contacts for modem, satisfies the withstand voltage 1500V.
- Comes with ground bar compatible with ESD on receptacle side
- Compatible to automatic mounting/ reflow (Available in tray with kapton tape /plastic)
- Receptacle side height 6.1mm, mating height 16.5mm
- Mating order: shell, power contact (large), signal contact and power contact (small).

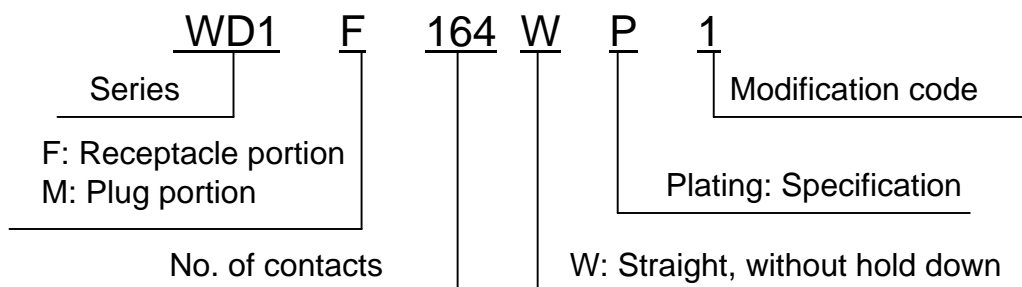
General Specifications

- No. of contacts :164 pos. (signal)+ 4(power)
- Contact resistance: 160m ohm max. (180m ohm max. after test)
- Dielectric withstanding voltage : AC500V per minute
- Operating temperature: -40 Deg. C to +85 Deg. C
- Rated current: 0.5A/ per pin
- Durability: 10,000 mating cycle

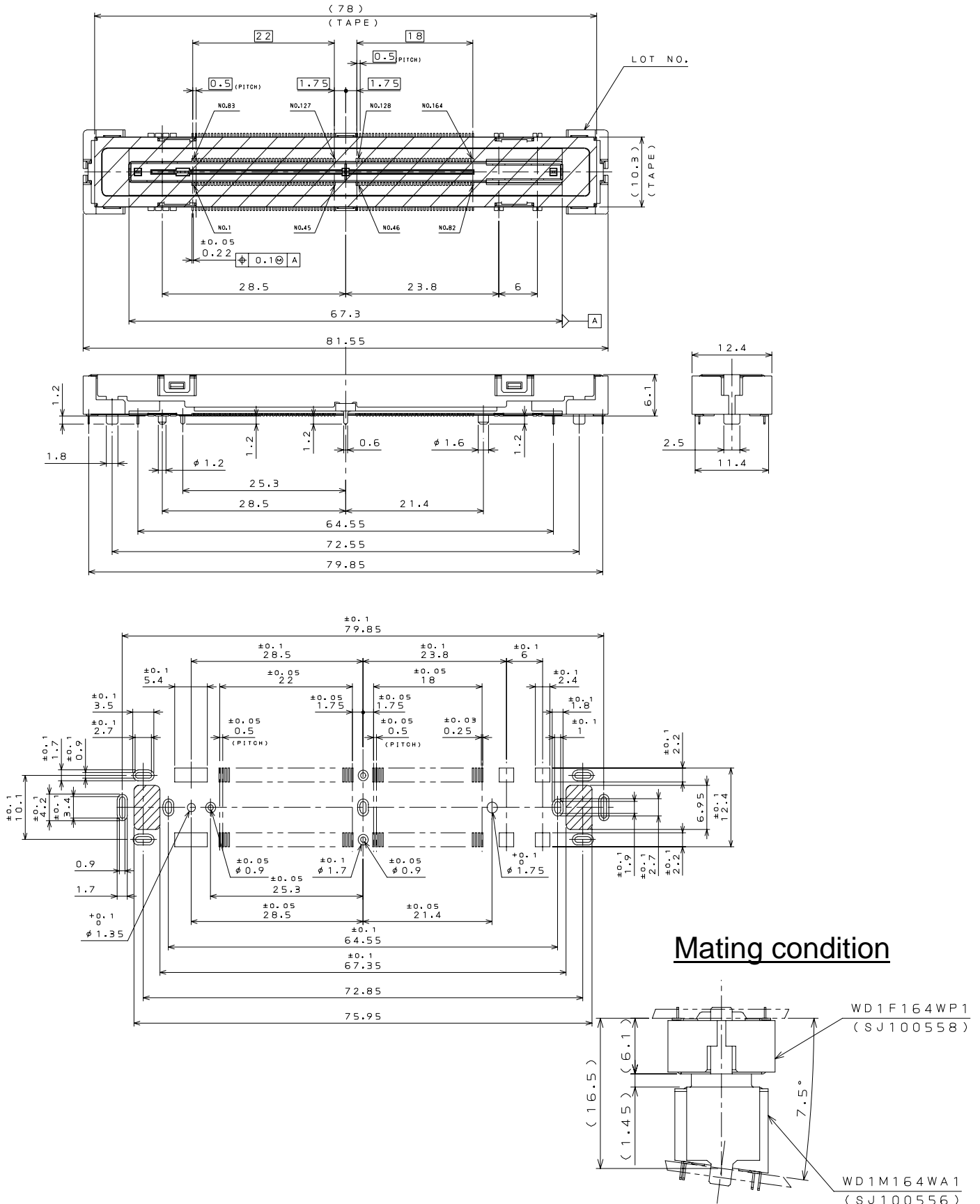
Materials and Finishes

Components		Materials/ Finishes
Receptacle		
Contact 1	Phosphor bronze	Contact: 0.1um min. Au plating over Ni
		Terminal: Tin plating
Contact 2	Copper alloy	Same as abvoe
Power contact	Copper alloy	Same as abvoe
Insulator	Glass filled LCP	UL94V-0 black
Shell	Steel	Tin plating
Plate	Brass	Tin plating
Hold pin	Copper alloy	0.03um min. Au plating
Tape	Heat-resistant tape	
Plug		
Contact 1	Copper alloy	Contact: 0.1um min. Au plating over Ni
		Terminal: 0.03um min. Au plating
Contact 2	Copper alloy	Same as abvoe
Power contact	Copper alloy	Same as abvoe
Insulator	Glass filled LCP	UL94V-0 black
Shell	Steel	Tin plating
Adsorption cover	Glass filled nylon	UL94V-0 black
Nut	Small	M2
Hold pin	Copper alloy	0.03um min. Au plating

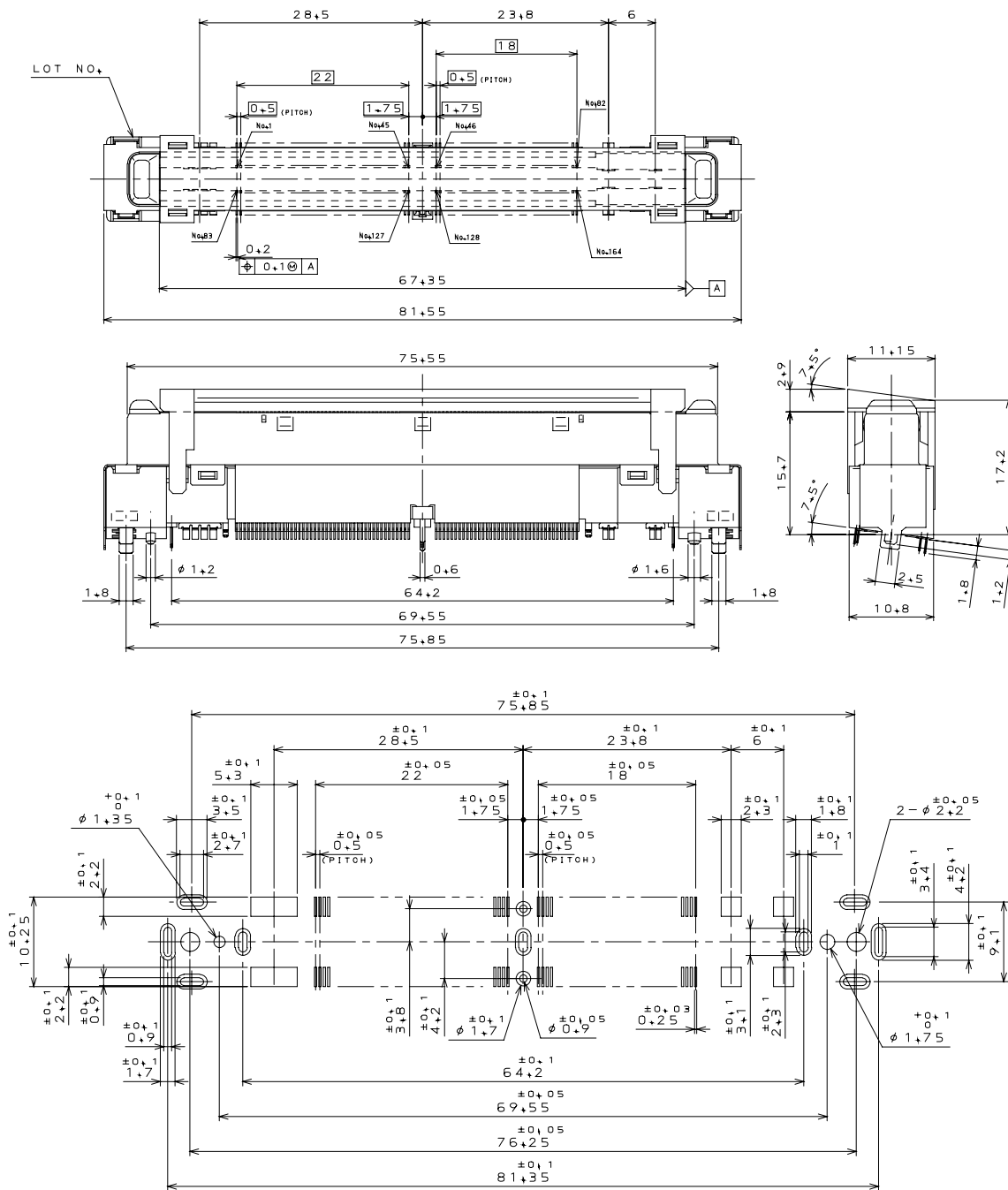
Ordering Information



Receptacle side: WD1F104WP1 (SJ100558)
 Provided in tray: WD1F164WP1T22 (SJ100559)



Receptacle side: WD1M164WA1 (SJ100556) Provided in tray: WD1M164WA1T18(SJ100557)



Notice: Products shown in this leaflet are made for the applications listed below. However, if the above-mentioned products are to be used in aerospace devices, marine cable-connection devices, atomic power control systems, medical equipment for life-support systems, or any other specific application requiring extremely high reliability, please contact JAE for further information.
 Recommended applications: computers, office machines, measuring devices, telecommunication devices (terminals, mobile devices), AV devices, household applications, FA devices, etc.

Japan Aviation Electronics Industry, Limited

Product Marketing Division
 Aobadai Building, 3-1-19, Aobadai, Meguro-ku, Tokyo 153-8539
 Phone: +81-3-3780-2787 FAX: +81-3-3780-2946

* The specifications in this brochure are subject to change without notice. Please contact JAE for information.