

阅读申明

- 1.本站收集的数据手册和产品资料都来自互联网，版权归原作者所有。如读者和版权方有任何异议请及时告之，我们将妥善解决。
- 2.本站提供的中文数据手册是英文数据手册的中文翻译，其目的是协助用户阅读，该译文无法自动跟随原稿更新，同时也可能存在翻译上的不当。建议读者以英文原稿为参考以便获得更精准的信息。
- 3.本站提供的产品资料，来自厂商的技术支持或者使用者的心得体会等，其内容可能存在描述上的差异，建议读者做出适当判断。
- 4.如需与我们联系，请发邮件到marketing@iczoom.com，主题请标有“数据手册”字样。

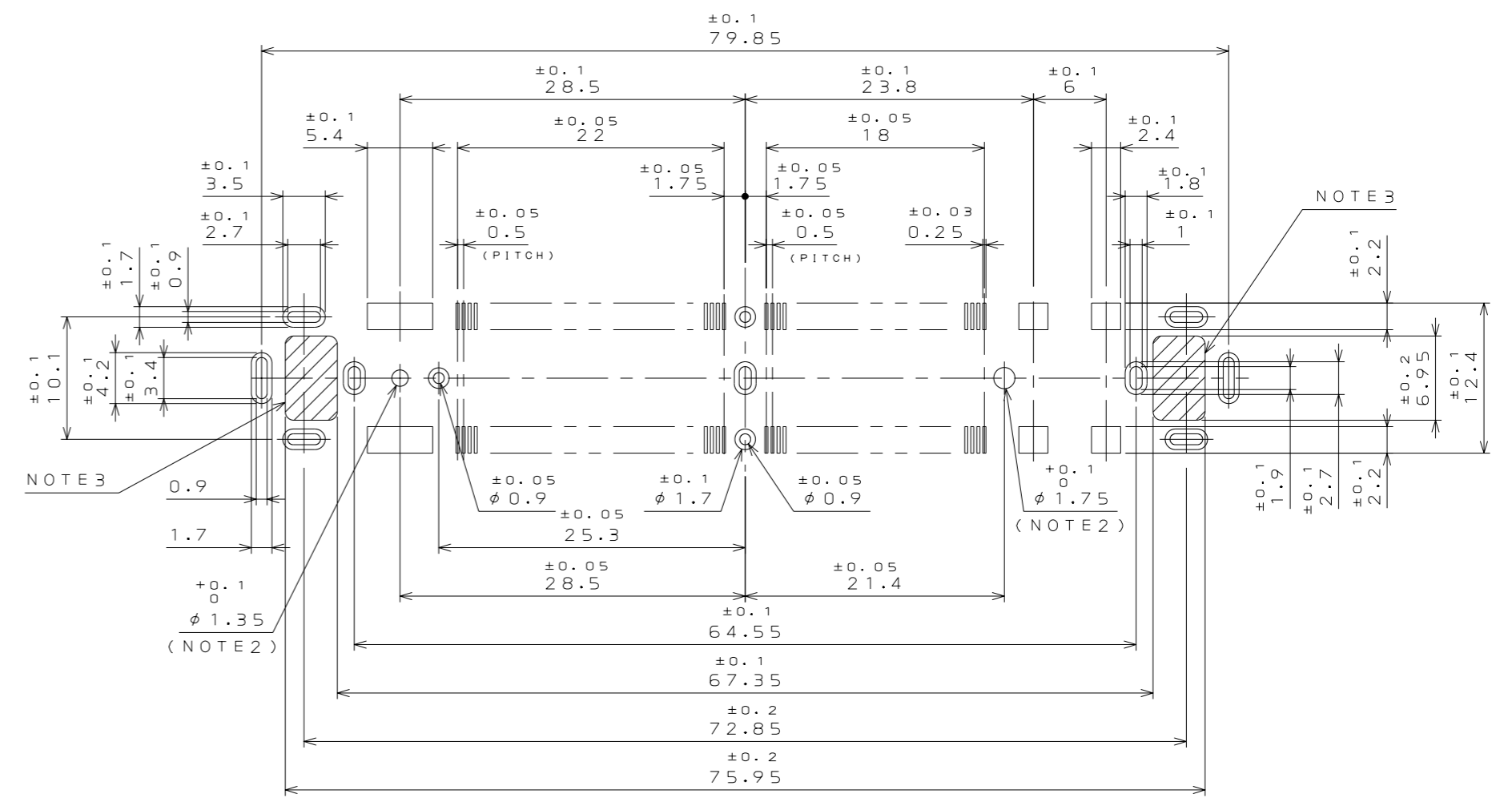
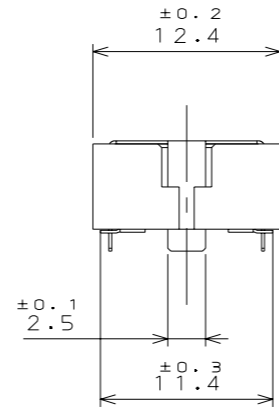
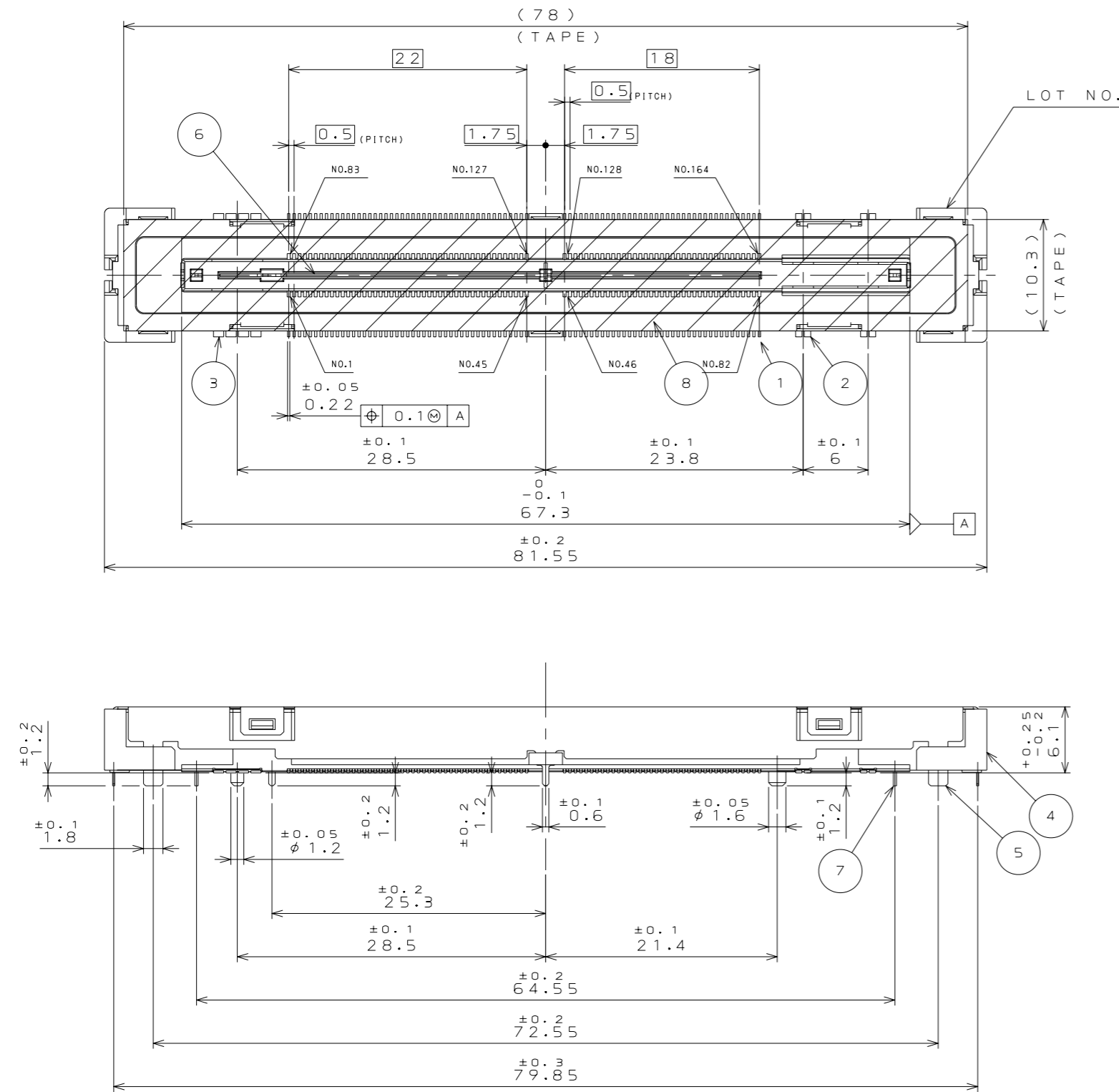
Read Statement

1. The datasheets and other product information on the site are all from network reference or other public materials, and the copyright belongs to the original author and original published source. If readers and copyright owners have any objections, please contact us and we will deal with it in a timely manner.
2. The Chinese datasheets provided on the website is a Chinese translation of the English datasheets. Its purpose is for reader's learning exchange only and do not involve commercial purposes. The translation cannot be automatically updated with the original manuscript, and there may also be improper translations. Readers are advised to use the English manuscript as a reference for more accurate information.
3. All product information provided on the website refer to solutions from manufacturers' technical support or users the contents may have differences in description, and readers are advised to take the original article as the standard.
4. If you have any questions, please contact us at marketing@iczoom.com and mark the subject with "Datasheets" .

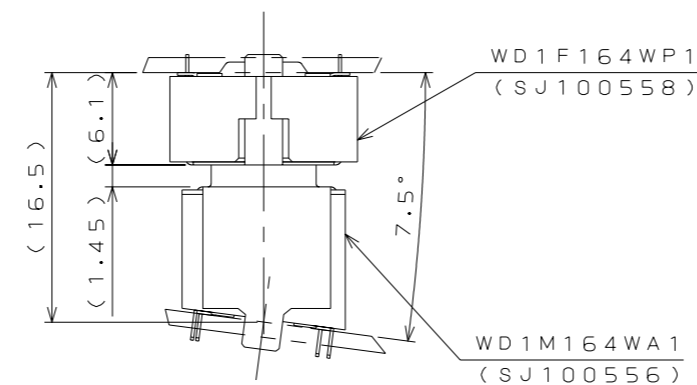
版数 REV.	年月日 DATE	DCN NO.	変更内容 DESCRIPTION	製図 DR.	担当 CHK.	査閲 APPD.	承認 APPD.

CONFIDENTIAL
JAE

JAE Confidential-Subject to the terms of Proprietary Document Release Agreement JC2004-011504-001



APPLICABLE P.C.B. DIMENSION(REF.)



MATED CONDITION(REF.)
嵌合状態図(参考)

- NOTE 1. TERMINAL COPLANARITY IS 0.1mmMAX.
端子平坦度は0.1mm以下
- NOTE 2. ALL HOLES, EXCEPT FOR 1.75 DIA. AND 1.35 DIA. HOLE, NEED TO BE THROUGH-HOLE PLATING.
φ1.75とφ1.35以外の穴は、スルーホールメッキであること。
- NOTE 3. HOLES TO PROVIDE CLEARANCE FOR POSTS ON DOCKING SIDE CONNECTOR. NO THROUGH-HOLE PLATING.
本コネクタの相手側であるDOCK側コネクタのガイドホースの逃げ穴である。スルーホールメッキは行わないこと。

符号 NO.	名称 DESCRIPTION	個数 QTY.	材料 MATERIAL	仕上 FINISH	備考 REMARKS
8	TAPE	1	HEAT-RESISTANT TAPE		
7	HOLD PIN	3	COPPER ALLOY	Au(0.03μm Min) PLATING	
6	PLATE	1	BRASS	TIN PLATING	
5	SHELL	1	STEEL	NICKEL PLATING	
4	INSULATOR	1	GLASS FILLED LCP		UL94V-0 BLACK
3	POWER CONTACT	2	COPPER ALLOY	TERMINAL:TIN PLATING CONTACT AREA: Au(0.1μm Min) OVER Ni	
2	CONTACT 2	4	COPPER ALLOY	TERMINAL:TIN PLATING CONTACT AREA: Au(0.1μm Min) OVER Ni	
1	CONTACT 1	164	PHOSPHOR BRONZE	TERMINAL:TIN PLATING CONTACT AREA: Au(0.1μm Min) OVER Ni	

仕様書(SPECIFICATION)	第1版(ORIGINAL DATE) 26.Apr.2006	尺度(SCALE) 2:1	シリーズ(SERIES) WD1	製図 DR.	名称(TITLE) WD1F164WP2	製造 DR.	担当 CHK. T.MORITAKE	査閲 APPD.	承認 APPD. K.HISATOMI	質量(MASS)	日本航空電子工業株式会社 JAPAN AVIATION ELECTRONICS INDUSTRY, LTD. 図面番号(DRAWING NO.) SJ106383	版数 (REV.) 1
公差(GENERAL TOLERANCE)												
寸法(DIMENSION)												
. ±0.8	° ±											
.X ±0.4	°X ±											
.XX ±0.1												
.XXX ±												

REFERENCE ONLY
JAE

LEAD FREE この製品は鉛フリー品です

JAE CONNECTOR DIV. PROPRIETARY.
COPYRIGHT (C) 2006, JAPAN AVIATION ELECTRONICS INDUSTRY, LTD.