

阅读申明

- 1.本站收集的数据手册和产品资料都来自互联网，版权归原作者所有。如读者和版权方有任何异议请及时告之，我们将妥善解决。
- 2.本站提供的中文数据手册是英文数据手册的中文翻译，其目的是协助用户阅读，该译文无法自动跟随原稿更新，同时也可能存在翻译上的不当。建议读者以英文原稿为参考以便获得更精准的信息。
- 3.本站提供的产品资料，来自厂商的技术支持或者使用者的心得体会等，其内容可能存在描述上的差异，建议读者做出适当判断。
- 4.如需与我们联系，请发邮件到marketing@iczoom.com，主题请标有“数据手册”字样。

Read Statement

1. The datasheets and other product information on the site are all from network reference or other public materials, and the copyright belongs to the original author and original published source. If readers and copyright owners have any objections, please contact us and we will deal with it in a timely manner.
2. The Chinese datasheets provided on the website is a Chinese translation of the English datasheets. Its purpose is for reader's learning exchange only and do not involve commercial purposes. The translation cannot be automatically updated with the original manuscript, and there may also be improper translations. Readers are advised to use the English manuscript as a reference for more accurate information.
3. All product information provided on the website refer to solutions from manufacturers' technical support or users the contents may have differences in description, and readers are advised to take the original article as the standard.
4. If you have any questions, please contact us at marketing@iczoom.com and mark the subject with "Datasheets" .

HRS

HIF2B SERIES DIP PLUG

Description

This series is concerned with a connector used for direct connection with PC board.

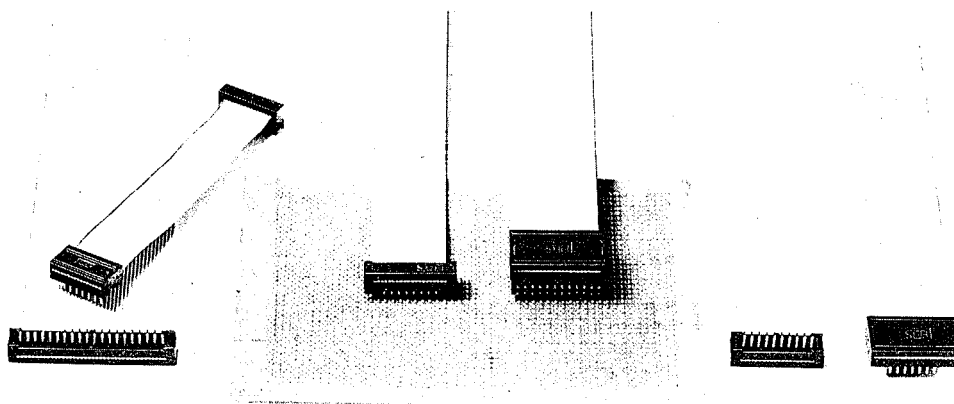
HIF2B series is a simplified product for firm connection between ribbon cable and PC board without the function of connecting and detaching.

There are multi-purpose (versatile) uses in combination with HIF1 or HIF3 series (connector) or in a single use,

thus it is contributing highly to the simplification and economization of internal wiring and wire-connection.

Two types each of HIF2B series are available.

One is IC type, which can be engaged with IC socket, whose No. of contacts are 14, 16, 24, and 40. The other is Dip type, which has 2.54 x 2.54 mm (.100" x .100") grid pattern, whose number of contacts are 10, 20, 26, 30, 34, 40, 50, and 60.



Features

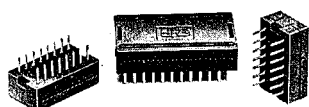
1. IC type HIF2B series can be engaged with DL2 series low profile IC socket, which has been well reputed. the connecting method can be easily changed, and free designs can be greatly enhanced. Also, it is possible to attach directly to the PCB.
2. Simply designed DL2-lock A for 14 and 16, and DL2-lock 24 for 24 pin, provides for reliable coupling to HIF2 series IC type in combination with DL2 series IC socket.
3. Without using other connector, a cable end with HIF2B series can be directly, simply and surely connected to

PCB, thus the use of HIF2B series in combination with HIF1 or HIF3 series can contribute to cost down by decreasing the number of parts.

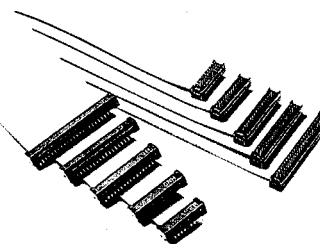
4. Applicable cable: 1.27 mm (.0500") spacing AWG28 stranded ribbon cable.

5. Pin configuration

Two types are available. One is alternately opposite to HIF3A series and exactly same as conventional HIF2 series, and the other is same as HIF3A series.



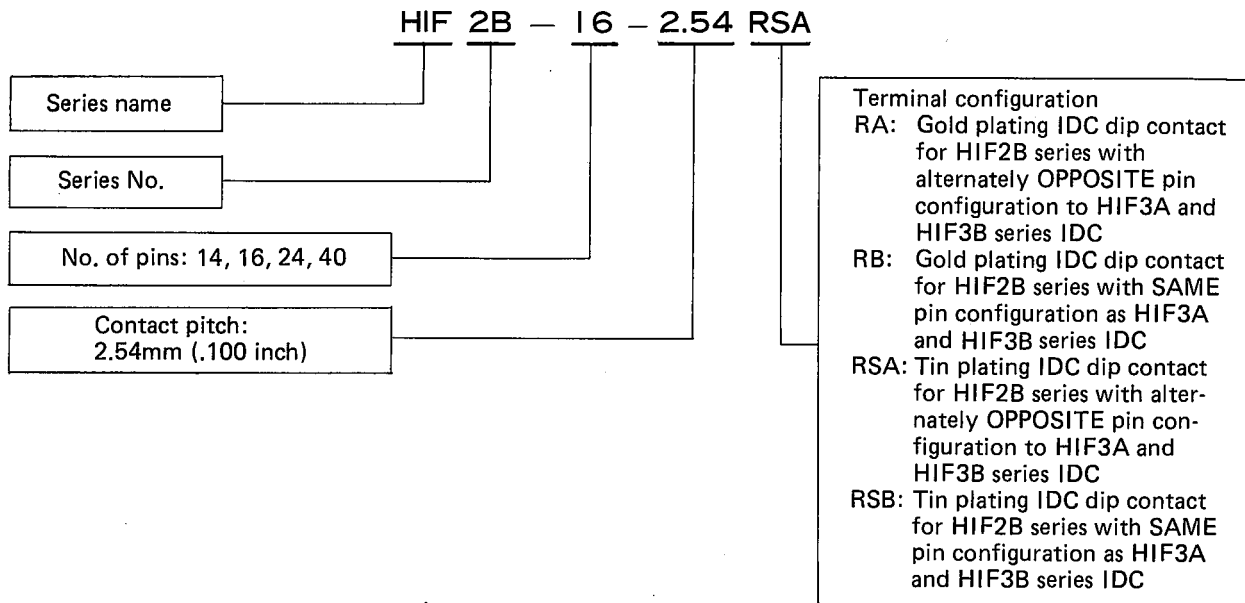
IC Type



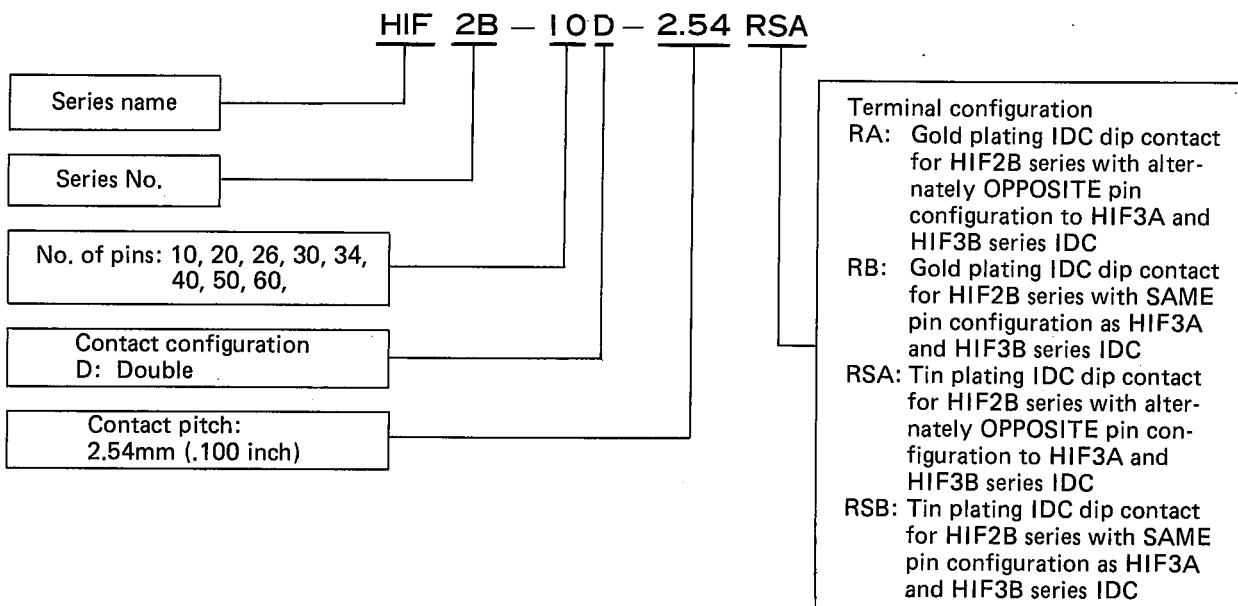
Dip Type

Ordering Information

● IC Type

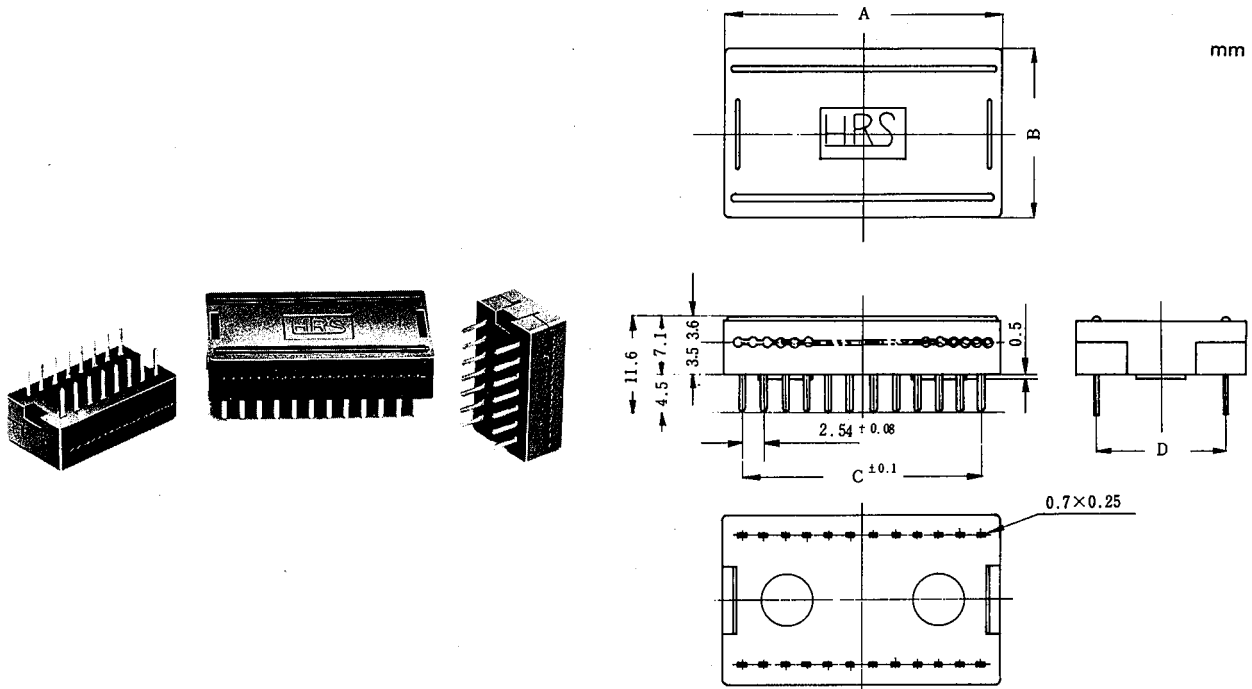


● Dip Type



HIF2B Series with Opposite Pin Configuration to HIF3A Series

1. IC Type



Unit : mm

Part No.	No. of Pin	A	B	C	D
HIF2B-14-2.54RA	14	20.7	12.5	15.24	7.62
HIF2B-14-2.54RSA					
HIF2B-16-2.54RA	16	22.4	12.5	17.78	7.62
HIF2B-16-2.54RSA					
HIF2B-24-2.54RA	24	32.5	20.0	27.94	15.24
HIF2B-24-2.54RSA					
HIF2B-40-2.54RA	40	52.9	20.0	48.26	15.24
HIF2B-40-2.54RSA					

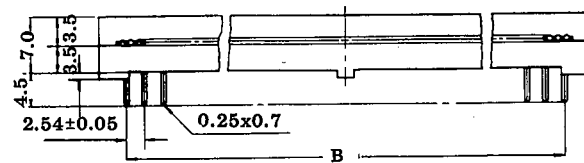
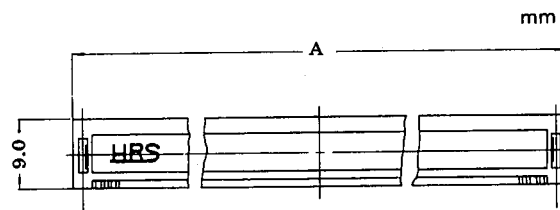
Unit : mm

Part No.	No. of Pin	A	B	C	D
HIF2B-14-2.54RB	14	20.7	12.5	15.24	7.62
HIF2B-14-2.54RSB					
HIF2B-16-2.54RB	16	22.4	12.5	17.78	7.62
HIF2B-16-2.54RSB					
HIF2B-24-2.54RB	24	32.5	20.0	27.94	15.24
HIF2B-24-2.54RSB					
HIF2B-40-2.54RSB	40	52.9	20.0	48.26	15.24
HIF2B-40-2.54RSB					

2. Dip Type

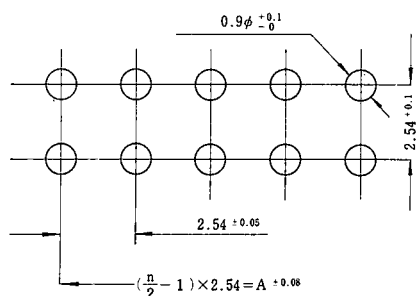
Part No.	No. of Pin	A	B
HIF2B-10D-2.54RA	10	19.50	10.16
HIF2B-10D-2.54RSA			
HIF2B-14D-2.54RA	14	24.26	15.24
HIF2B-14D-2.54RSA			
HIF2B-16D-2.54RA	16	26.8	17.78
HIF2B-16D-2.54RSA			
HIF2B-20D-2.54RA	20	31.88	22.86
HIF2B-20D-2.54RSA			
HIF2B-26D-2.54RA	26	39.50	30.48
HIF2B-26D-2.54RSA			
HIF2B-30D-2.54RA	30	44.55	35.56
HIF2B-30D-2.54RSA			
HIF2B-34D-2.54RA	34	49.66	40.64
HIF2B-34D-2.54RSA			
HIF2B-40D-2.54RA	40	57.28	48.26
HIF2B-40D-2.54RSA			
HIF2B-50D-2.54RA	50	69.98	60.96
HIF2B-50D-2.54RSA			
HIF2B-60D-2.54RA	60	82.65	73.66
HIF2B-60D-2.54RSA			

Part No.	No. of Pin	A	B
HIF2B-10D-2.54RB	10	19.50	10.16
HIF2B-10D-2.54RSB			
HIF2B-14D-2.54RB	14	24.26	15.24
HIF2B-14D-2.54RSB			
HIF2B-16D-2.54RB	16	26.8	17.78
HIF2B-16D-2.54RSB			
HIF2B-20D-2.54RB	20	31.88	22.86
HIF2B-20D-2.54RSB			
HIF2B-26D-2.54RB	26	39.50	30.48
HIF2B-26D-2.54RSB			
HIF2B-30D-2.54RB	30	44.55	35.56
HIF2B-30D-2.54RSB			
HIF2B-34D-2.54RB	34	49.66	40.64
HIF2B-34D-2.54RSB			
HIF2B-40D-2.54RB	40	57.28	48.26
HIF2B-40D-2.54RSB			
HIF2B-50D-2.54RB	50	69.98	60.96
HIF2B-50D-2.54RSB			
HIF2B-60D-2.54RB	60	82.65	73.66
HIF2B-60D-2.54RSB			



HIF2B

Recommended Mounting Hole Pattern



Note: On IC-type, note that the dimension of 2.54 ± 0.1 becomes 7.62 ± 0.1 or 15.24 ± 0.1 .

A: Total pitch (spacing) of connector

n: Number of poles of connector

Finished through hole diameter of PC board: $0.9^{+0.1}_{-0}$

HIF2B Series with Same Pin Configuration as HIF3 Series

This series are completely same in electrical, mechanical and size as the other HIF2B series except pin configuration which provides for alternately opposite connecting circuit to the other HIF2B series and exactly same as HIF3 series.

1. IC Type

Part No.	No. of pin
HIF2B-14-2.54RB	14
HIF2B-14-2.54RSB	
HIF2B-16-2.54RB	16
HIF2B-16-2.54RSB	
HIF2B-24-2.54RB	24
HIF2B-24-2.54RSB	
HIF2B-40-2.54RB	40
HIF2B-40-2.54RSB	

2. Dip Type

Part No.	No. of pin
HIF2B-10D-2.54RB	10
HIF2B-10D-2.54RSB	
HIF2B-20D-2.54RB	20
HIF2B-20D-2.54RSB	
HIF2B-26D-2.54RB	26
HIF2B-26D-2.54RSB	
HIF2B-30D-2.54RB	30
HIF2B-30D-2.54RSB	
HIF2B-34D-2.54RB	34
HIF2B-34D-2.54RSB	
HIF2B-40D-2.54RB	40
HIF2B-40D-2.54RSB	
HIF2B-50D-2.54RB	50
HIF2B-50D-2.54RSB	
HIF2B-60D-2.54RB	60
HIF2B-60D-2.54RSB	

Material and Finish

Item	Material	Finish	Remarks
Molding	Glass-reinforced Polyester	Black	UL94-0
Contact	Beryllium copper	Nickel plating (tinning) + gold plating	

Electrical Performance

Item	Condition	Standard
Current capacity		1A
Rated voltage		AC 200V
Insulation resistance	At DC 500V	1000MΩ or higher
Withstand voltage	1 minute at specified value	AC 650Vrms
Contact resistance	Measured at DC 100mA	*15mΩ or less

* Including conductor resistance