

阅读申明

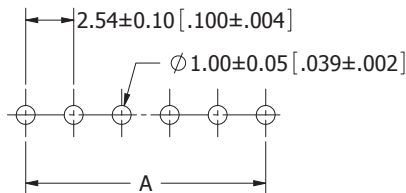
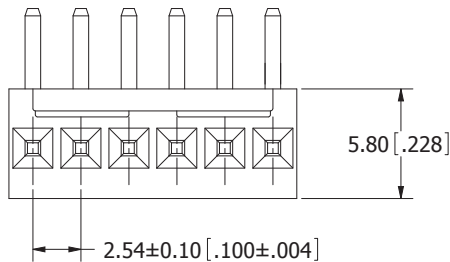
- 1.本站收集的数据手册和产品资料都来自互联网，版权归原作者所有。如读者和版权方有任何异议请及时告之，我们将妥善解决。
- 2.本站提供的中文数据手册是英文数据手册的中文翻译，其目的是协助用户阅读，该译文无法自动跟随原稿更新，同时也可能存在翻译上的不当。建议读者以英文原稿为参考以便获得更精准的信息。
- 3.本站提供的产品资料，来自厂商的技术支持或者使用者的心得体会等，其内容可能存在描述上的差异，建议读者做出适当判断。
- 4.如需与我们联系，请发邮件到marketing@iczoom.com，主题请标有“数据手册”字样。

Read Statement

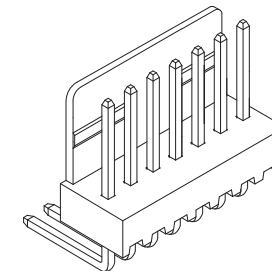
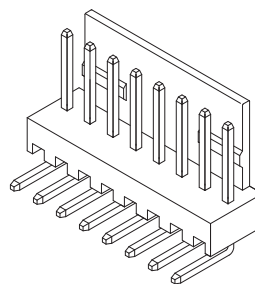
1. The datasheets and other product information on the site are all from network reference or other public materials, and the copyright belongs to the original author and original published source. If readers and copyright owners have any objections, please contact us and we will deal with it in a timely manner.
2. The Chinese datasheets provided on the website is a Chinese translation of the English datasheets. Its purpose is for reader's learning exchange only and do not involve commercial purposes. The translation cannot be automatically updated with the original manuscript, and there may also be improper translations. Readers are advised to use the English manuscript as a reference for more accurate information.
3. All product information provided on the website refer to solutions from manufacturers' technical support or users the contents may have differences in description, and readers are advised to take the original article as the standard.
4. If you have any questions, please contact us at marketing@iczoom.com and mark the subject with "Datasheets" .

PART NUMBER CODING
SWR25X-NRTC-S__-R_-BA

TERMINATION TYPE
 A= RIGHT ANGLE BENT, TYPE 2
 B= RIGHT ANGLE BENT, TYPE 1
NUMBER OF POSITIONS
 (CONTACTS PER ROW)

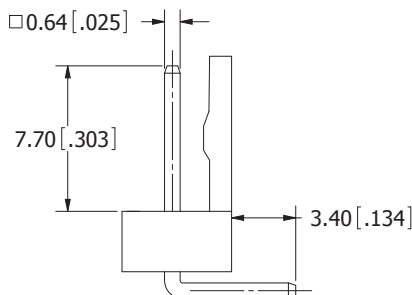
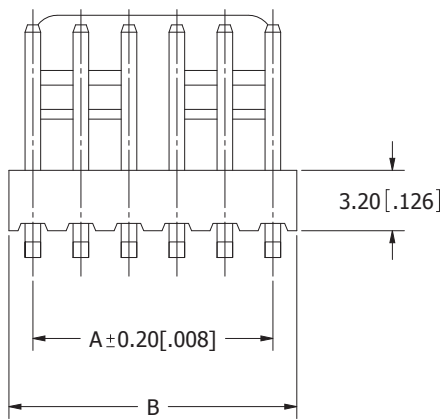


RECOMMENDED PCB LAYOUT
 P.C. BOARD THICKNESS: 1.6mm [.063"]

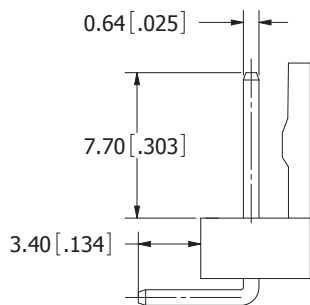


P/N: SWR25X-NRTC-S__-RA-BA (TYPE 2)

P/N: SWR25X-NRTC-S__-RB-BA (TYPE 1)



P/N: SWR25X-NRTC-S__-RB-BA (TYPE 1)



P/N: SWR25X-NRTC-S__-RA-BA (TYPE 2)

Part Number	Positions/ Contacts	A		B			
		MM	INCH	TYPE 2 (RA)		TYPE 1 (RB)	
		MM	INCH	MM	INCH	MM	INCH
SWR25X-NRTC-S02-R_-BA	02/02	2.54	0.100	5.12	0.202	5.08	0.200
SWR25X-NRTC-S03-R_-BA	03/03	5.08	0.200	7.66	0.302	7.62	0.300
SWR25X-NRTC-S04-R_-BA	04/04	7.62	0.300	10.20	0.402	10.16	0.400
SWR25X-NRTC-S05-R_-BA	05/05	10.16	0.400	12.74	0.502	12.70	0.500
SWR25X-NRTC-S06-R_-BA	06/06	12.70	0.500	15.30	0.602	15.24	0.600
SWR25X-NRTC-S07-R_-BA	07/07	15.24	0.600	17.94	0.706	17.78	0.700
SWR25X-NRTC-S08-R_-BA	08/08	17.78	0.700	20.48	0.806	20.32	0.800
SWR25X-NRTC-S09-R_-BA	09/09	20.32	0.800	23.02	0.906	22.86	0.900
SWR25X-NRTC-S10-R_-BA	10/10	22.86	0.900	25.58	1.007	25.40	1.000
SWR25X-NRTC-S11-R_-BA	11/11	25.40	1.000	28.12	1.107	27.94	1.100
SWR25X-NRTC-S12-R_-BA	12/12	27.94	1.100	30.68	1.208	30.48	1.200
SWR25X-NRTC-S13-R_-BA	13/13	30.48	1.200	33.10	1.303	33.02	1.300
SWR25X-NRTC-S14-R_-BA	14/14	33.02	1.300	35.80	1.409	35.56	1.400
SWR25X-NRTC-S15-R_-BA	15/15	35.56	1.400	38.34	1.509	38.10	1.500
SWR25X-NRTC-S16-R_-BA	16/16	38.10	1.500	40.94	1.612	40.64	1.600
SWR25X-NRTC-S17-R_-BA	17/17	40.64	1.600	43.30	1.705	43.18	1.700
SWR25X-NRTC-S18-R_-BA	18/18	43.18	1.700	45.90	1.807	45.72	1.800
SWR25X-NRTC-S19-R_-BA	19/19	45.72	1.800	/	/	48.26	1.900
SWR25X-NRTC-S20-R_-BA	20/20	48.26	1.900	50.80	2.000	50.80	2.000

NOTES:

- INSULATOR MATERIAL: NYLON 66, UL94V-2, COLOR: BEIGE.
- CONTACT MATERIAL: BRASS.
- CONTACT PLATING: .000020" MIN. NICKEL UNDERPLATE, PURE TIN, BRIGHT OVERALL.
- CURRENT RATING: 5 AMPS PER CONTACT.
- VOLTAGE RATING: 250V AC/DC.
- INSULATOR RESISTANCE: 1000 MEGOHMS MIN.
- CONTACT RESISTANCE: 20 MILLIOHMS MAX.
- DIELECTRIC WITHSTANDING VOLTAGE: 1000V AC.
- OPERATING TEMPERATURE: -25° C TO +85° C.
- MATES WITH SWH25X SERIES SINGLE ROW HOUSING.



RoHS COMPLIANT

UNLESS OTHERWISE SPECIFIED:
 DIMENSIONS ARE IN MM(INCHES)
 TOLERANCES: ANGULAR:
 X= ± 0.3 [.01]
 XX= ± 0.30 [.012]
 INTERPRET DIMENSIONS AND
 TOLERANCING
 PER: ASME Y14.5M-2009

DRAWN: DATE: NAME:
 05/23/2011 LH
 THE INFORMATION HEREIN CONTAINS
 PROPRIETARY INFORMATION OF
 SULLINS ELECTRONICS AND IS NOT
 TO BE REPRODUCED, USED OR
 DISCLOSED TO OTHERS FOR ANY
 PURPOSE EXCEPT AS SPECIFICALLY
 AUTHORIZED IN WRITING BY AN
 OFFICER OF SULLINS ELECTRONICS.



SULLINS CONNECTOR SOLUTIONS			
TITLE WAFER 2.54mm[.100"] CC, 1 ROW, RA/RB			
PART NUMBER SWR25X-NRTC-S__-R_-BA			
SIZE C	CAGE CODE 54453	DWG. NO. 11634	REV A
SCALE: 5:1		SHEET 1 OF 1	