

阅读申明

- 1.本站收集的数据手册和产品资料都来自互联网，版权归原作者所有。如读者和版权方有任何异议请及时告之，我们将妥善解决。
- 2.本站提供的中文数据手册是英文数据手册的中文翻译，其目的是协助用户阅读，该译文无法自动跟随原稿更新，同时也可能存在翻译上的不当。建议读者以英文原稿为参考以便获得更精准的信息。
- 3.本站提供的产品资料，来自厂商的技术支持或者使用者的心得体会等，其内容可能存在描述上的差异，建议读者做出适当判断。
- 4.如需与我们联系，请发邮件到marketing@iczoom.com，主题请标有“数据手册”字样。

Read Statement

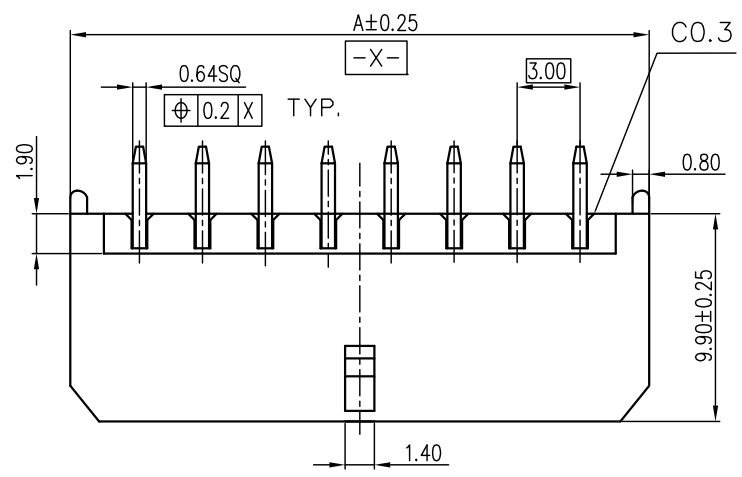
1. The datasheets and other product information on the site are all from network reference or other public materials, and the copyright belongs to the original author and original published source. If readers and copyright owners have any objections, please contact us and we will deal with it in a timely manner.
2. The Chinese datasheets provided on the website is a Chinese translation of the English datasheets. Its purpose is for reader's learning exchange only and do not involve commercial purposes. The translation cannot be automatically updated with the original manuscript, and there may also be improper translations. Readers are advised to use the English manuscript as a reference for more accurate information.
3. All product information provided on the website refer to solutions from manufacturers' technical support or users the contents may have differences in description, and readers are advised to take the original article as the standard.
4. If you have any questions, please contact us at marketing@iczoom.com and mark the subject with "Datasheets" .

This document is the property of Amphenol Corporation and is delivered on the express condition that it is not to be disclosed, reproduced or used, in whole or in part, for manufacture or sale by anyone other than Amphenol Corporation without its prior consent, and that no right is granted to disclose or to use any information in this document.

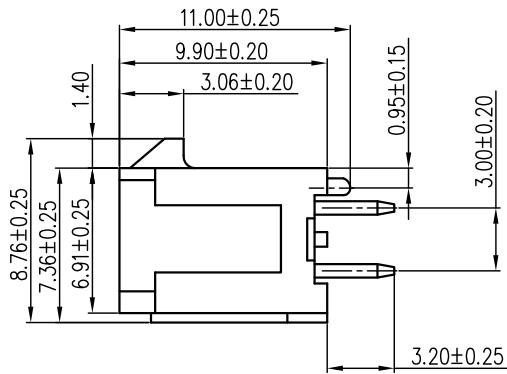
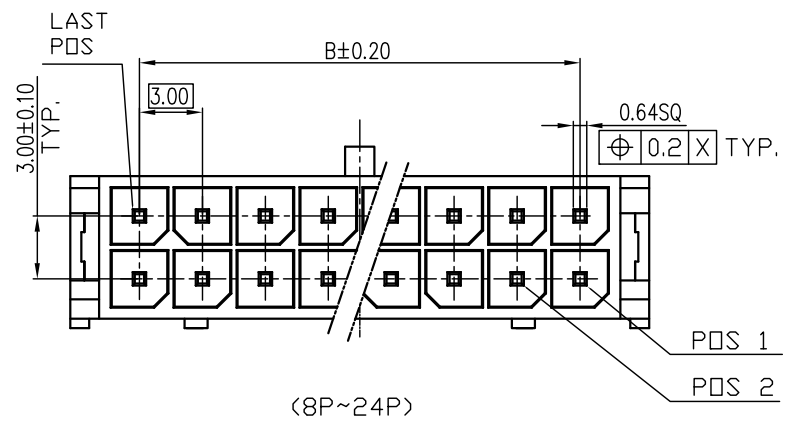
The marking on this product doesn't contain environmental hazardous materials per Material Specification 55-00259 for Sony GP compliant or per directive 2011/65/EU for RoHS compliant.

**PRELIMINARY RELEASE
SUBJECT TO CHANGE**

REVISIONS				
SYM	ECN No.	DESCRIPTION	DATE	APPROVED
A	NE-12149	RELEASE FOR RoHS	08/16/2012	Arron Lin
B	NE-13034	MODIFY PLATING TO OVERALL	03/13/2013	Arron Lin
CX1		UPDATE FOR 2 POS., PACKING QUANTITY AND PLATING	03/03/2014	Arron Lin



- NOTE:
- INSULATOR: HIGH TEMP. THERMOPLASTIC, LCP, UL 94V-0, COLOR: BLACK.
 - CONTACT MATERIAL: COPPER ALLOY;
 - FINISH:
CONTACT AREA: SELECTIVE PLATING OPTIONS;
SOLDERING AREA: MATTE TIN PLATING 100 μ" MIN OR GOLD PLATING;
UNDER PLATING: NICKEL PLATING 50 μ" THICKNESS MIN. OVERALL.
 - THIS PRODUCT DOESN'T ENVIRONMENTAL HAZARDOUS MATERIALS PER DIRECTIVE 2011/65/EU FOR RoHS.
 - APPLICABLE P.C.BOARD THICKNESS: 1.60mm
 - PACKING MUST BE PER Amphenol PACKING SPECIFICATION



24	39.60	33.00
22	36.60	30.00
20	33.60	27.00
18	30.60	24.00
16	27.60	21.00
14	24.60	18.00
12	21.60	15.00
10	18.60	12.00
08	15.60	9.00
06	12.60	6.00
04	9.60	3.00
02	6.60	NA
NO. OF CIRCUIT	A	B

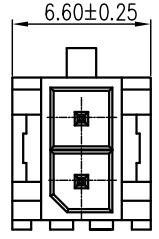
PART NO. G881AXX1X2T3EU
No. OF CIRCUIT

- CONTACT FINISH
- 0: Tin (OVERALL)
 - 1: FLASH GOLD (OVERALL)
 - 2: 15 μ" GOLD
 - 3: 30 μ" GOLD

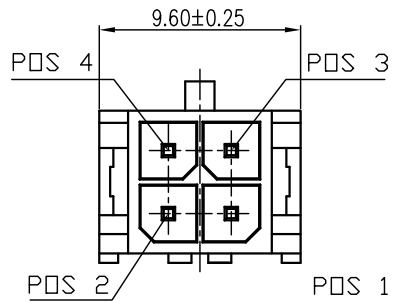
TOLERANCE	APPROVALS	DATE	TITLE		Amphenol [®] Amphenol Corporation Amphenol Taiwan Corporation		
X. ±0.30	DRAWN Debby Hung	03/03/2014	G881A SERIES MICRO POWER, WAFER 3.00 MM PITCH STRAIGHT DIP, W/O KINK		UNIT mm	SIZE A3	PART No. G881AXX1X2T3EU
X.XX ±0.20	CHECKED Roger Tsai	03/03/2014					DWG No. G881AXX1X2T3EU
X.XXX ±0.10	APPROVED Arron Lin	03/03/2014					
ANGULAR ±1°	DWG TYPE CUST DWG	PROJECT CODE PHD	SCALE NA	SHEET 1 OF 3			
UNLESS OTHERWISE SPECIFIED							

This document is the property of Amphenol Corporation and is delivered on the express condition that is not to be disclosed, reproduced or used, in whole or in part, for manufacture or sale by anyone other than Amphenol Corporation without its prior consent, and that no right is granted to disclose or to use any information in this document.
 The marking on this product doesn't contain environmental hazardous materials per Material Specification 55-00259 for Sony GP compliant or per directive 2011/65/EU for RoHS compliant.

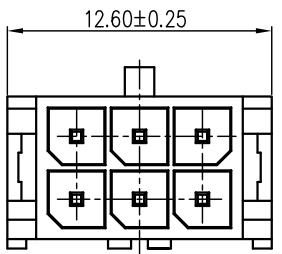
REVISIONS				
SYM	ECN No.	DESCRIPTION	DATE	APPROVED
A	NE-12149	RELEASE FOR RoHS	08/16/2012	Arron Lin
B	NE-13034	MODIFY PLATING TO OVERALL	03/13/2013	Arron Lin
CX1		UPDATE FOR 2 POS., PACKING QUANTITY AND PLATING	03/03/2014	Arron Lin



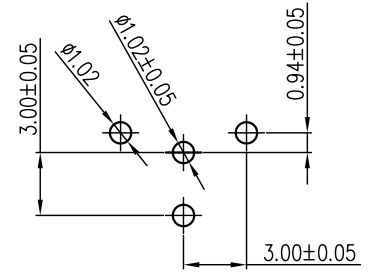
(2X1POS)



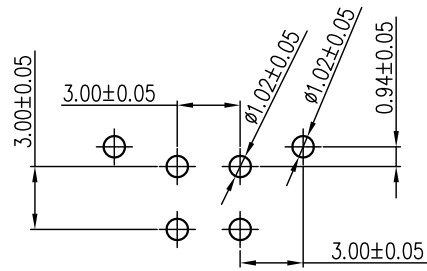
(2X2POS)



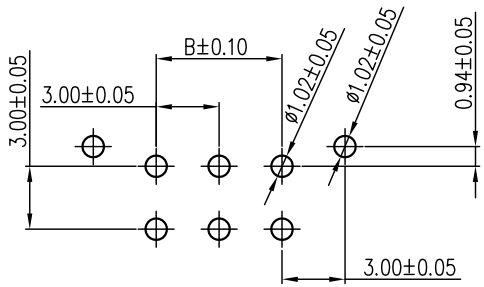
(2X3POS)



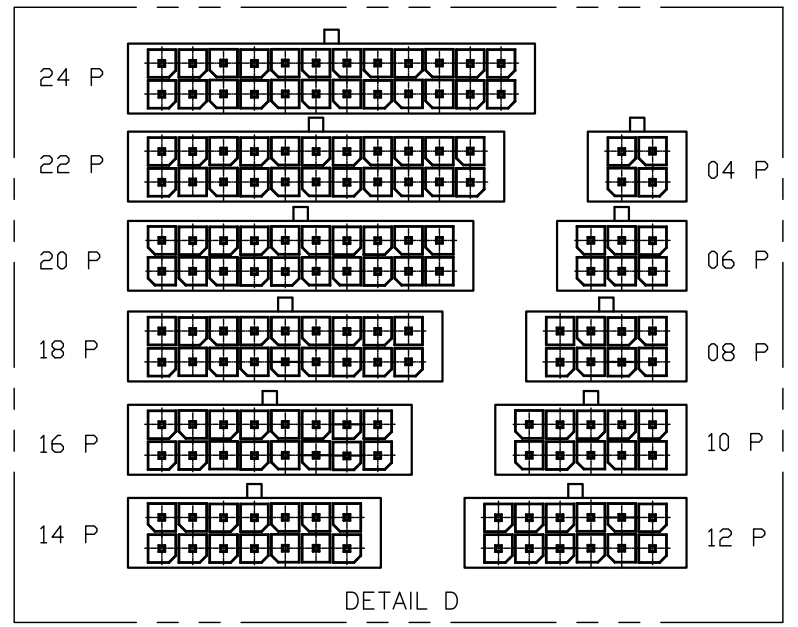
2X1 POSITIONS
RECOMMENDED PCB LAYOUT



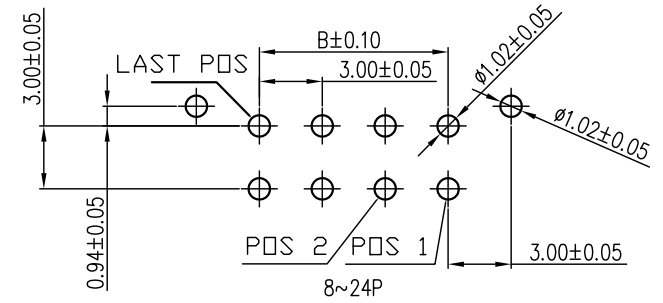
2X2 POSITIONS
RECOMMENDED PCB LAYOUT



2X3 POSITIONS
RECOMMENDED PCB LAYOUT



DETAIL D



RECOMMENDED PCB LAYOUT

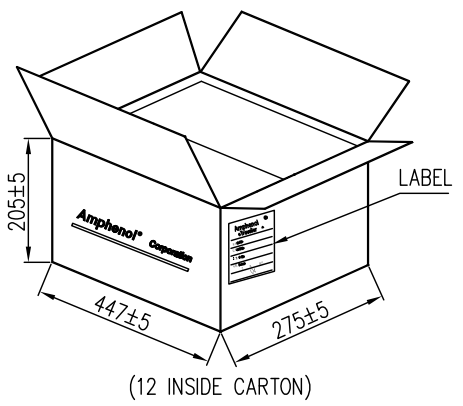
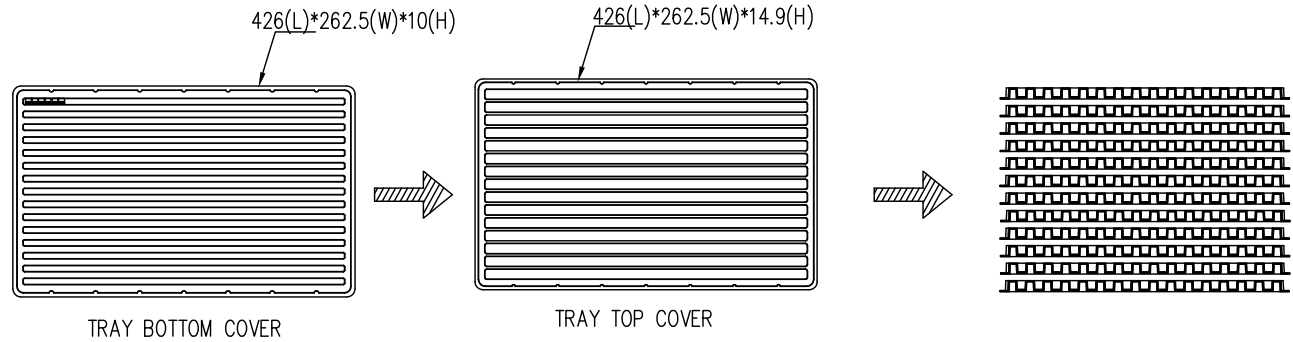
**PRELIMINARY RELEASE
SUBJECT TO CHANGE**

TOLERANCE		APPROVALS		DATE	TITLE		Amphenol®				
X.		DRAWN	Debby Hung	03/03/2014	G881A SERIES MICRO POWER, WAFER 3.00 MM PITCH STRAIGHT DIP, W/O KINK		Amphenol Corporation Amphenol Taiwan Corporation				
X.X	±0.30	CHECKED	Roger Tsai	03/03/2014							
X.XX	±0.20	APPROVED	Arron Lin	03/03/2014							
X.XXX	±0.10	DWG TYPE	CUST DWG	PROJECT CODE	PHD	UNIT	mm	SIZE	A3	PART No.	G881AXX1X2T3EU
ANGULAR	±1°					SCALE	NA	SHEET	2 OF 3	DWG No.	G881AXX1X2T3EU
UNLESS OTHERWISE SPECIFIED										REV.	CX1

This document is the property of Amphenol Corporation and is delivered on the express condition that is not to be disclosed, reproduced or used, in whole or in part, for manufacture or sale by anyone other than Amphenol Corporation without its prior consent, and that no right is granted to disclose or to use any information in this document.
 The marking on this product doesn't contain environmental hazardous materials per Material Specification 55-00259 for Sony GP compliant or per directive 2011/65/EU for RoHS compliant.

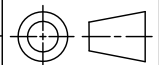
REVISIONS				
SYM	ECN No.	DESCRIPTION	DATE	APPROVED
A	NE-12149	RELEASE FOR RoHS	08/16/2012	Arron Lin
B	NE-13034	MODIFY PLATING TO OVERALL	03/13/2013	Arron Lin
CX1		UPDATE FOR 2 POS., PACKING QUANTITY AND PLATING	03/03/2014	Arron Lin

PRELIMINARY RELEASE
SUBJECT TO CHANGE



POS	PCS/TRAY	PCS/CARTON
02	900	10800
04	615	7380
06	465	5580
08	375	4500
10	315	3780
12	270	3240
14	240	2880
16	210	2520
18	180	2160
20	165	1980
22	150	1800
24	150	1800

NOTE:
 1. MATERIAL : BLACK CONDUCTIVE POLYSTYRENE ALLOY
 2. ALL DIMENSIONS MEET EIA-481-C REQUIREMENTS.
 3. THICKNESS : 0.80±0.05mm.

TOLERANCE		APPROVALS		DATE	TITLE		Amphenol [®] Amphenol Corporation Amphenol Taiwan Corporation							
X.		DRAWN	Debby Hung	03/03/2014	G881A SERIES MICRO POWER, WAFER 3.00 MM PITCH STRAIGHT DIP, W/O KINK		UNIT	mm	SIZE	A3	PART No.	G881AXX1X2T3EU		
X.X	±0.30	CHECKED	Roger Tsai	03/03/2014			SCALE	NA	SHEET	3 OF 3	DWG No.	G881AXX1X2T3EU	REV.	CX1
X.XX	±0.20	APPROVED	Arron Lin	03/03/2014										
X.XXX	±0.10	DWG TYPE		PROJECT CODE										
ANGULAR	±1°	CUST DWG		PHD										
UNLESS OTHERWISE SPECIFIED														