

阅读申明

- 1.本站收集的数据手册和产品资料都来自互联网，版权归原作者所有。如读者和版权方有任何异议请及时告之，我们将妥善解决。
- 2.本站提供的中文数据手册是英文数据手册的中文翻译，其目的是协助用户阅读，该译文无法自动跟随原稿更新，同时也可能存在翻译上的不当。建议读者以英文原稿为参考以便获得更精准的信息。
- 3.本站提供的产品资料，来自厂商的技术支持或者使用者的心得体会等，其内容可能存在描述上的差异，建议读者做出适当判断。
- 4.如需与我们联系，请发邮件到marketing@iczoom.com，主题请标有“数据手册”字样。

Read Statement

1. The datasheets and other product information on the site are all from network reference or other public materials, and the copyright belongs to the original author and original published source. If readers and copyright owners have any objections, please contact us and we will deal with it in a timely manner.
2. The Chinese datasheets provided on the website is a Chinese translation of the English datasheets. Its purpose is for reader's learning exchange only and do not involve commercial purposes. The translation cannot be automatically updated with the original manuscript, and there may also be improper translations. Readers are advised to use the English manuscript as a reference for more accurate information.
3. All product information provided on the website refer to solutions from manufacturers' technical support or users the contents may have differences in description, and readers are advised to take the original article as the standard.
4. If you have any questions, please contact us at marketing@iczoom.com and mark the subject with "Datasheets" .

This document is the property of Amphenol Corporation and is delivered on the express condition that it is not to be disclosed, reproduced or used, in whole or in part, for manufacture or sale by anyone other than Amphenol Corporation without its prior consent, and that no right is granted to disclose or to use any information in this document.

The marking on this product doesn't contain environmental hazardous materials per Material Specification SS-00253 for RoHS compliance or per directive 2011/65/EU for RoHS.

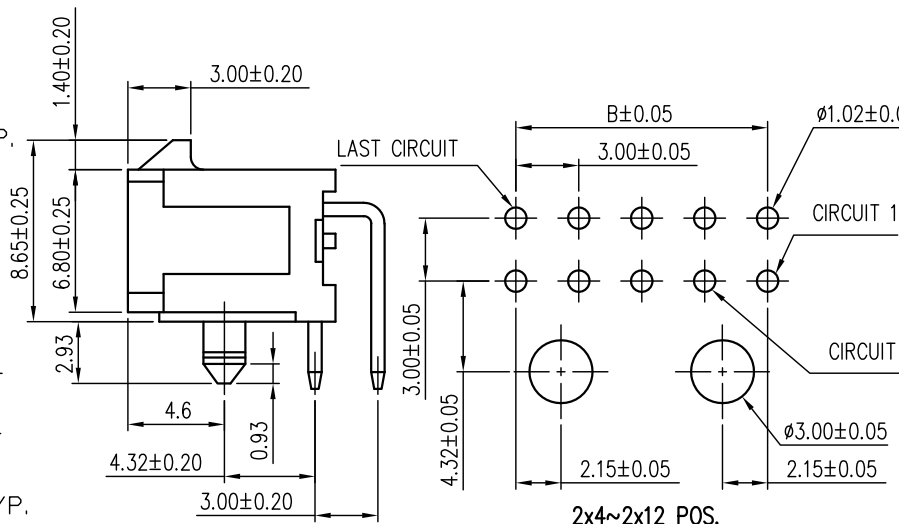
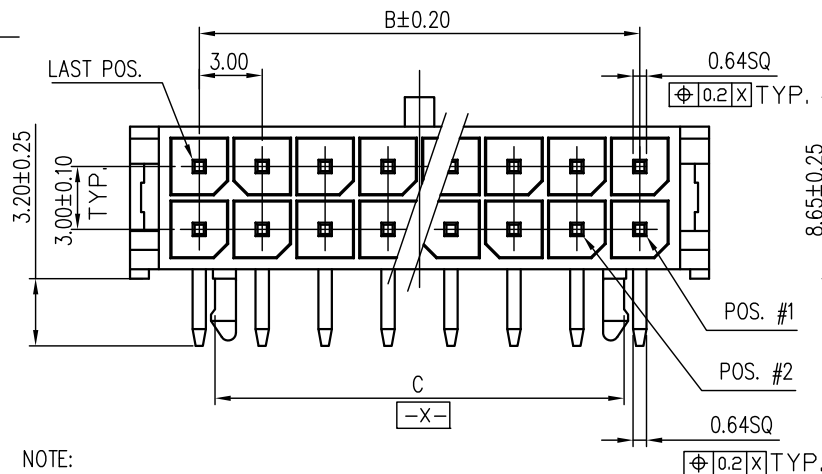
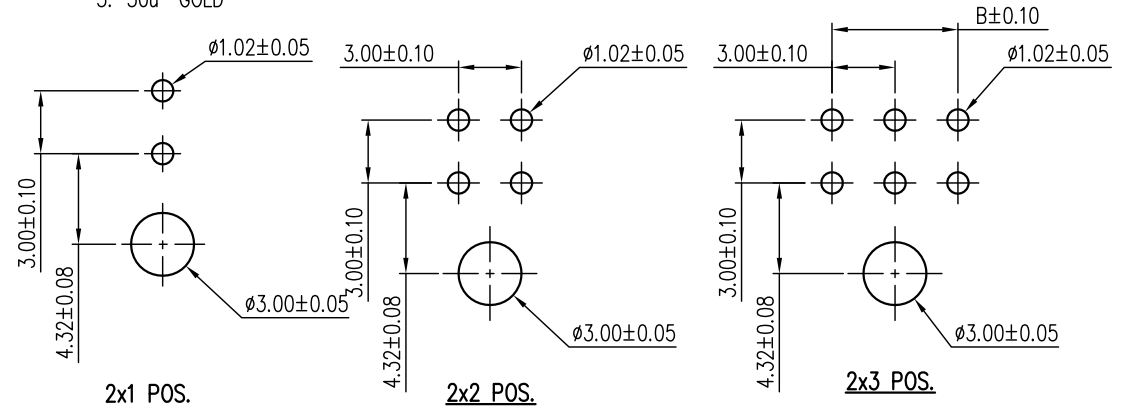
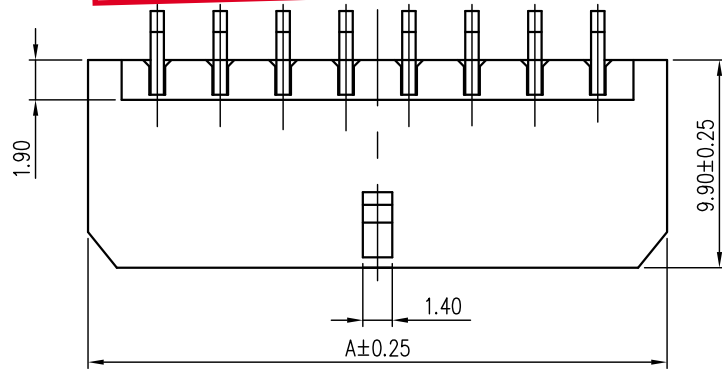
**PRELIMINARY RELEASE
SUBJECT TO CHANGE**

PART NO. G881AXX0X1TEU

No. of CIRCUIT CONTACT FINISH

- 0: 100u" MATTE TIN PLATING (OVERALL)
- 1: GOLD FLASH (OVERALL)
- 2: 15u" GOLD
- 3: 30u" GOLD

REVISIONS				
SYM	ECN No.	DESCRIPTION	DATE	APPROVED
A		RELEASE FOR RoHS	10/06/2005	Henry Ko
B	NE-11044	DRAWING UPDATE	03/28/2011	Arron Lin
C	NE-12011	ADDED DIM. 4.6 & 0.93	02/10/2012	Arron Lin
D	NE-13023	ADDED 30u" GOLD	01/31/2013	Arron Lin
EX1		ADDED DIM	07/22/2013	Arron Lin
EX2	EDSR#4667	ADDED 2PIN DRAWING AND UPDATE PACKING QUANTITY	01/08/2014	Arron Lin
EX3		UPDATE PACKING QUANTITY	03/03/2014	Arron Lin



24	39.60	33.00	31.50
22	36.60	30.00	28.50
20	33.60	27.00	25.50
18	30.60	24.00	22.50
16	27.60	21.00	19.50
14	24.60	18.00	16.50
12	21.60	15.00	13.50
10	18.60	12.00	10.50
08	15.60	9.00	7.50
06	12.60	6.00	2.80
04	9.60	3.00	2.80
02	6.60	NA	2.80
NO. OF CIRCUIT	A	B	C

- NOTE:
- INSULATOR: HIGH TEMP. THERMOPLASTIC, LCP, UL 94V-0, COLOR BLACK
 - CONTACT MATERIAL: COPPER ALLOY.
 - FINISH:
CONTACT AREA: SELECTIVE PLATING;
SOLDERING AREA: MATTE TIN PLATING OR GOLD PLATING;
UNDER PLATING: NICKEL PLATING 50 u" THICKNESS MIN. OVERALL.
 - THIS PRODUCT DOESN'T ENVIRONMENTAL HAZARDOUS MATERIALS PER DIRECTIVE 2011/65/EU FOR RoHS.
 - APPLICABLE P.C.BOARD THICKNESS: 1.60mm
 - PACKING MUST BE PER Amphenol PACKING SPECIFICATION

RECOMMENDED PCB LAYOUT

TOLERANCE	APPROVALS	DATE	TITLE		PART No.		
X. ±0.30	DRAWN Debby Hung	03/03/2014	G881A SERIES WIRE TO BOARD, WAFER 3.00 MM PITCH R/A PCB MOUNT		Amphenol® Amphenol Corporation Amphenol Taiwan Corporation		
X.X ±0.20	CHECKED Roger Tsai	03/03/2014					
X.XXX ±0.10	APPROVED Arron Lin	03/03/2014					
ANGULAR ±1°	DWG TYPE CUST DWG	PROJECT CODE PHD	UNIT mm	SIZE A3	PART No. G881AXX0X1TEU		
UNLESS OTHERWISE SPECIFIED			SCALE NA	SHEET 1 OF 3	DWG No. G881AXX0X1TEU		REV. EX3

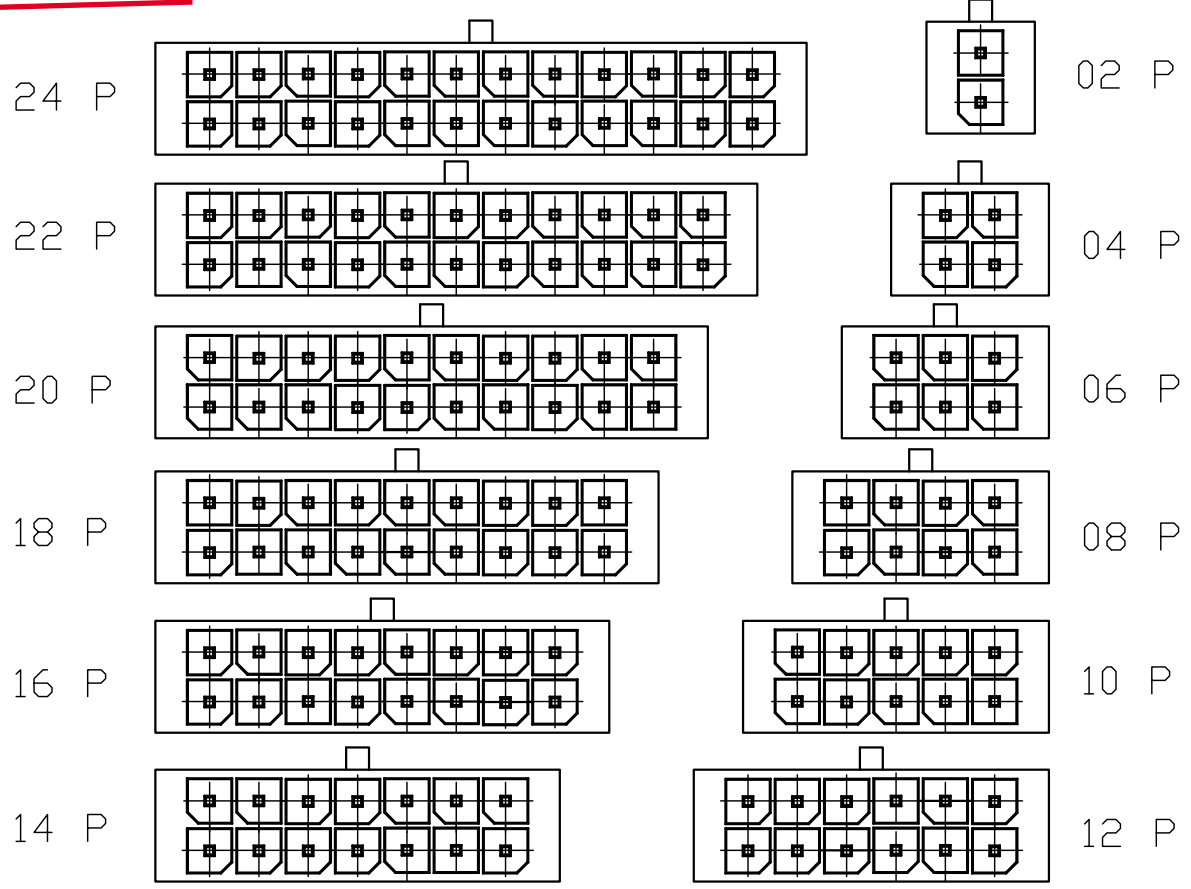
This document is the property of Amphenol Corporation and is delivered on the express condition that is not to be disclosed, reproduced or used, in whole or in part, for manufacture or sale by anyone other than Amphenol Corporation without its prior consent, and that no right is granted to disclose or to use any information in this document.

The marking on this product doesn't contain environmental hazardous materials per Material Specification 55-00259 for Sony GP compliant or per directive 2011/65/EU for RoHS compliant.

REVISIONS				
SYM	ECN No.	DESCRIPTION	DATE	APPROVED
A		RELEASE FOR RoHS	10/06/2005	Henry Ko
B	NE-11044	DRAWING UPDATE	03/28/2011	Arron Lin
C	NE-12011	ADDED DIM. 4.6 & 0.93	02/10/2012	Arron Lin
D	NE-13023	ADDED 30u" GOLD	01/31/2013	Arron Lin
EX1		ADDED DIM	07/22/2013	Arron Lin
EX2	EDSR#4667	ADDED 2PIN DRAWING AND UPDATE PACKING QUANTITY	01/08/2014	Arron Lin
EX3		UPDATE PACKING QUANTITY	03/03/2014	Arron Lin

02~24 PIN TOP VIEW

**PRELIMINARY RELEASE
SUBJECT TO CHANGE**



TOLERANCE		APPROVALS		DATE	TITLE		Amphenol® Amphenol Corporation Amphenol Taiwan Corporation		
X.		DRAWN	Debby Hung	03/03/2014	G881A SERIES WIRE TO BOARD, WAFER 3.00 MM PITCH R/A PCB MOUNT		UNIT	SIZE	PART No.
X.X	±0.30	CHECKED	Roger Tsai	03/03/2014			mm	A3	G881AXX0X1TEU
X.XX	±0.20	APPROVED	Arron Lin	03/03/2014			SCALE	SHEET	DWG No.
X.XXX	±0.10				NA	2 OF 3	G881AXX0X1TEU	REV.	EX3
ANGULAR	±1°	DWG TYPE		PROJECT CODE					
UNLESS OTHERWISE SPECIFIED		CUST DWG		PHD					

This document is the property of Amphenol Corporation and is delivered on the express condition that is not to be disclosed, reproduced or used, in whole or in part, for manufacture or sale by anyone other than Amphenol Corporation without its prior consent, and that no right is granted to disclose or to use any information in this document.

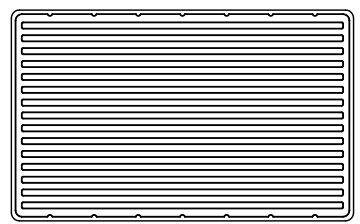
The marking on this product doesn't contain environmental hazardous materials per Material Specification 55-00259 for Sony GP compliant or per directive 2011/65/EU for RoHS compliant.

**PRELIMINARY RELEASE
SUBJECT TO CHANGE**

REVISIONS				
SYM	ECN No.	DESCRIPTION	DATE	APPROVED
A		RELEASE FOR RoHS	10/06/2005	Henry Ko
B	NE-11044	DRAWING UPDATE	03/28/2011	Arron Lin
C	NE-12011	ADDED DIM. 4.6 & 0.93	02/10/2012	Arron Lin
D	NE-13023	ADDED 30u" GOLD	01/31/2013	Arron Lin
EX1		ADDED DIM	07/22/2013	Arron Lin
EX2	EDSR#4667	ADDED 2PIN DRAWING AND UPDATE PACKING QUANTITY	01/08/2014	Arron Lin
EX3		UPDATE PACKING QUANTITY	03/03/2014	Arron Lin

426(L)*262.5(W)*10(H)

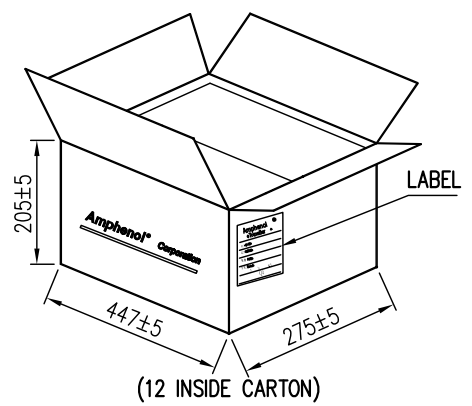
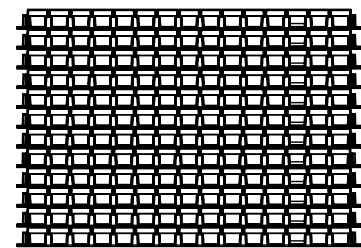
426(L)*262.5(W)*14(H)



TRAY BOTTOM COVER



TRAY TOP COVER



POS	PCS/TRAY	PCS/CARTON
02	900	10800
04	615	7380
06	465	5580
08	375	4500
10	315	3780
12	270	3240
14	240	2880
16	210	2520
18	180	2160
20	165	1980
22	150	1800
24	150	1800

- NOTE:
1. MATERIAL : BLACK CONDUCTIVE POLYSTYRENE ALLOY
 2. ALL DIMENSIONS MEET EIA-481-C REQUIREMENTS.
 3. THICKNESS : 0.80±0.05mm.

TOLERANCE		APPROVALS		DATE	TITLE		Amphenol® Amphenol Corporation Amphenol Taiwan Corporation		
X.		DRAWN Debby Hung		03/03/2014	G881A SERIES WIRE TO BOARD, WAFER 3.00 MM PITCH R/A PCB MOUNT		PART No. G881AXX0X1TEU		
X.X	±0.30	CHECKED Roger Tsai		03/03/2014					
X.XX	±0.20	APPROVED Arron Lin		03/03/2014					
X.XXX	±0.10	DWG TYPE CUST DWG		PROJECT CODE PHD	UNIT mm		SIZE A3	DWG No. G881AXX0X1TEU	
ANGULAR	±1°	UNLESS OTHERWISE SPECIFIED			SCALE NA		SHEET 3 OF 3	REV. EX3	