

阅读申明

- 1.本站收集的数据手册和产品资料都来自互联网，版权归原作者所有。如读者和版权方有任何异议请及时告之，我们将妥善解决。
- 2.本站提供的中文数据手册是英文数据手册的中文翻译，其目的是协助用户阅读，该译文无法自动跟随原稿更新，同时也可能存在翻译上的不当。建议读者以英文原稿为参考以便获得更精准的信息。
- 3.本站提供的产品资料，来自厂商的技术支持或者使用者的心得体会等，其内容可能存在描述上的差异，建议读者做出适当判断。
- 4.如需与我们联系，请发邮件到marketing@iczoom.com，主题请标有“数据手册”字样。

Read Statement

1. The datasheets and other product information on the site are all from network reference or other public materials, and the copyright belongs to the original author and original published source. If readers and copyright owners have any objections, please contact us and we will deal with it in a timely manner.
2. The Chinese datasheets provided on the website is a Chinese translation of the English datasheets. Its purpose is for reader's learning exchange only and do not involve commercial purposes. The translation cannot be automatically updated with the original manuscript, and there may also be improper translations. Readers are advised to use the English manuscript as a reference for more accurate information.
3. All product information provided on the website refer to solutions from manufacturers' technical support or users the contents may have differences in description, and readers are advised to take the original article as the standard.
4. If you have any questions, please contact us at marketing@iczoom.com and mark the subject with "Datasheets" .

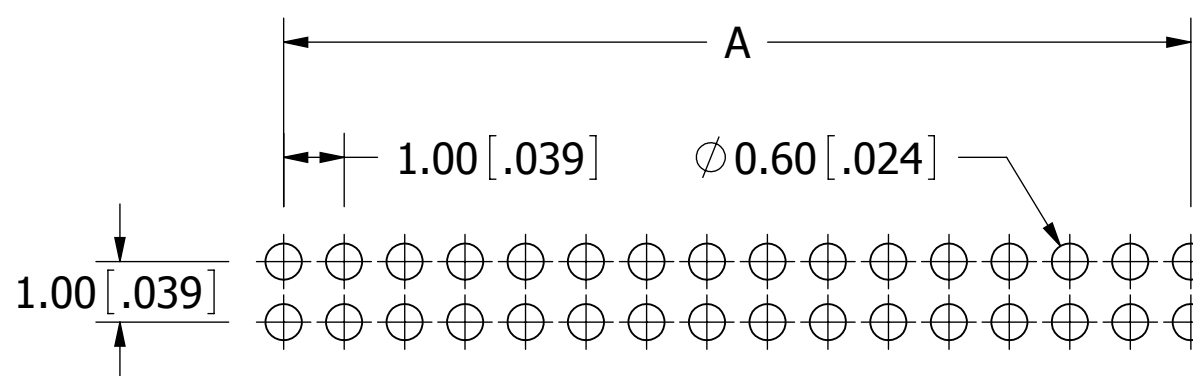
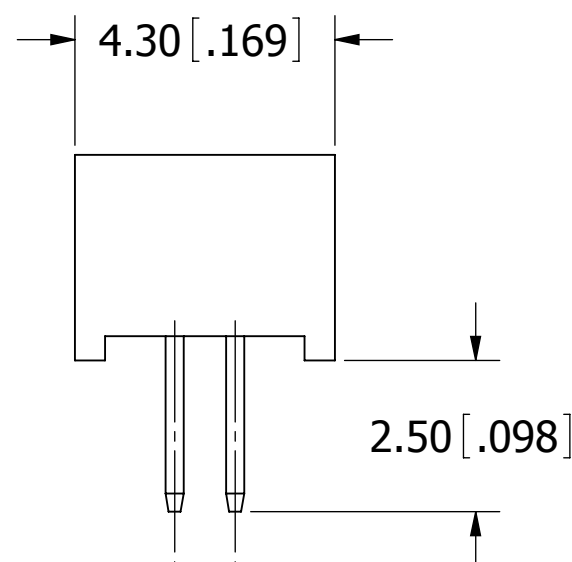
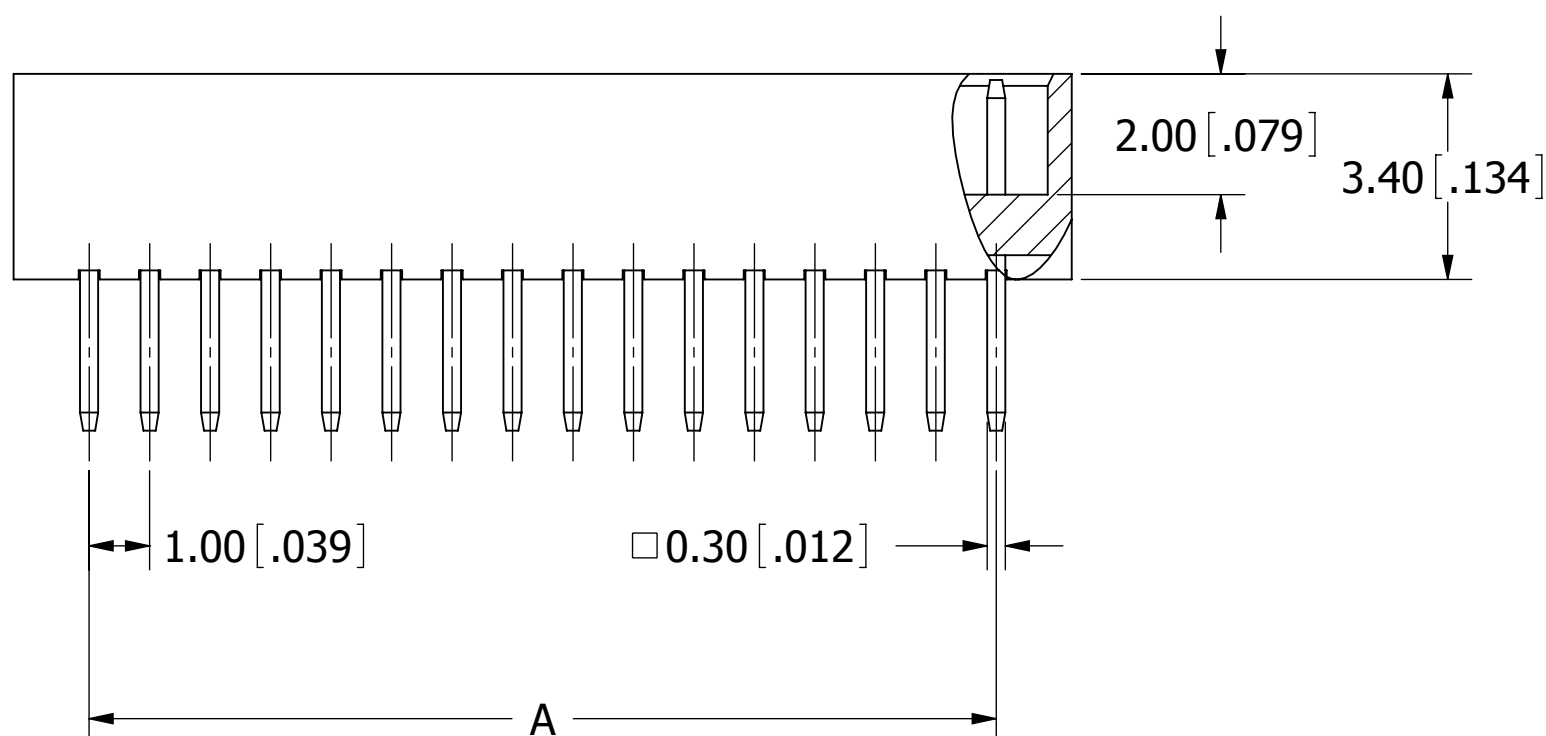
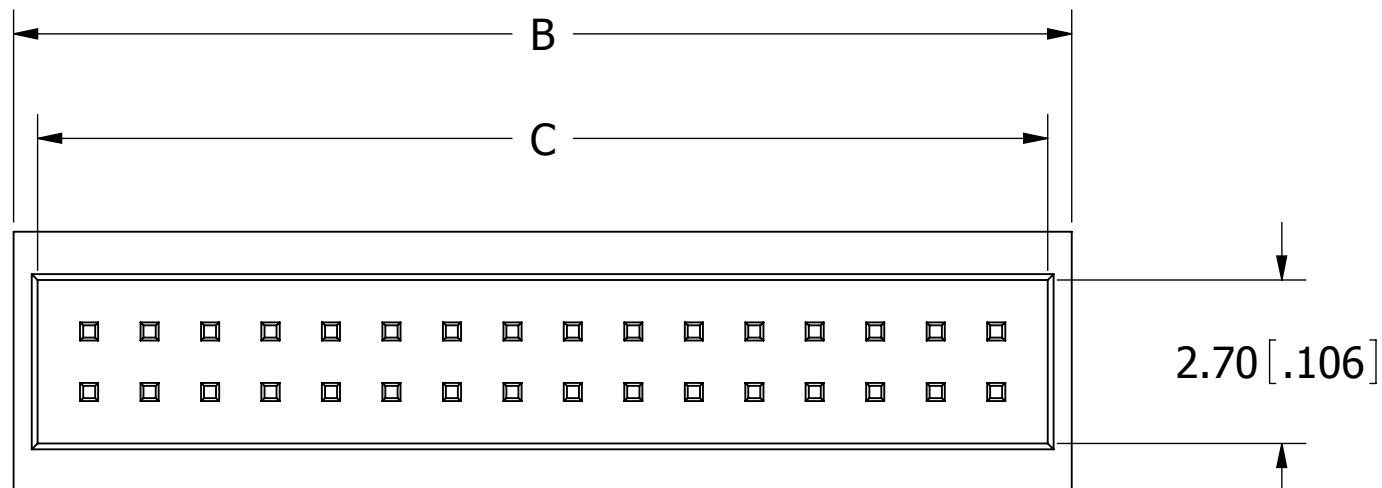
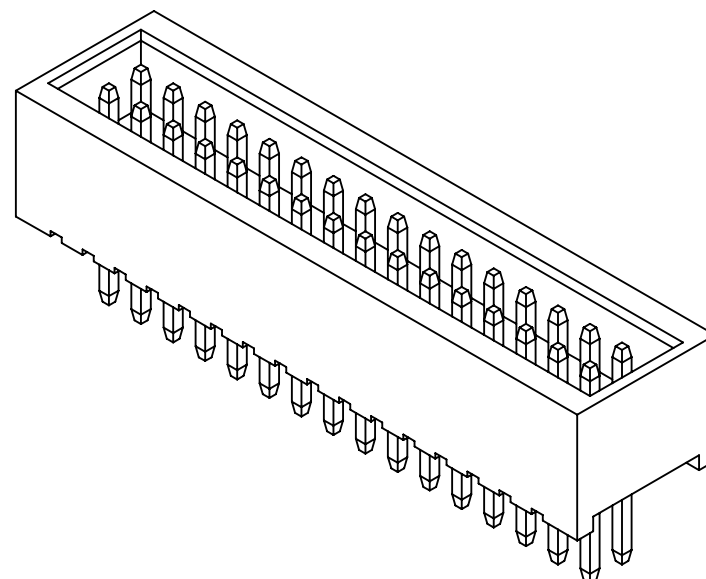
PART NUMBER CODING
SBH51-LP_E-D_-ST-BK

NUMBER OF POSITIONS
 (CONTACTS PER ROW, 03 THRU 50)

PLATING

.000030" - .000050" NICKEL UNDERPLATE,
 P= GOLD FLASH OVERALL
 S= .000010" GOLD OVERALL.

REVISIONS				
REV.	ECO. NO	DESCRIPTION	DATE	BY
A	2364	INITIAL RELEASE	06/08/2011	LH

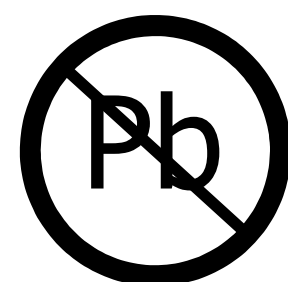


PART NUMBER	POSITIONS/ CONTACTS	A		B		C	
		MM	INCH	MM	INCH	MM	INCH
SBH51-LP_E-D03-ST-BK	03/06	2.00	0.079	4.50	0.177	3.70	0.146
SBH51-LP_E-D04-ST-BK	04/08	3.00	0.118	5.50	0.217	4.70	0.185
SBH51-LP_E-D05-ST-BK	05/10	4.00	0.157	6.50	0.256	5.70	0.224
SBH51-LP_E-D06-ST-BK	06/12	5.00	0.197	7.50	0.295	6.70	0.264
SBH51-LP_E-D07-ST-BK	07/14	6.00	0.236	8.50	0.335	7.70	0.303
SBH51-LP_E-D08-ST-BK	08/16	7.00	0.276	9.50	0.374	8.70	0.343
SBH51-LP_E-D09-ST-BK	09/18	8.00	0.315	10.50	0.413	9.70	0.382
SBH51-LP_E-D10-ST-BK	10/20	9.00	0.354	11.50	0.453	10.70	0.421
SBH51-LP_E-D11-ST-BK	11/22	10.00	0.394	12.50	0.492	11.70	0.461
SBH51-LP_E-D12-ST-BK	12/24	11.00	0.433	13.50	0.531	12.70	0.500
SBH51-LP_E-D13-ST-BK	13/26	12.00	0.472	14.50	0.571	13.70	0.539
SBH51-LP_E-D14-ST-BK	14/28	13.00	0.512	15.50	0.610	14.70	0.579
SBH51-LP_E-D15-ST-BK	15/30	14.00	0.551	16.50	0.650	15.70	0.618
SBH51-LP_E-D16-ST-BK	16/32	15.00	0.591	17.50	0.689	16.70	0.657
SBH51-LP_E-D17-ST-BK	17/34	16.00	0.630	18.50	0.728	17.70	0.697
SBH51-LP_E-D18-ST-BK	18/36	17.00	0.669	19.50	0.768	18.70	0.736
SBH51-LP_E-D19-ST-BK	19/38	18.00	0.709	20.50	0.807	19.70	0.776
SBH51-LP_E-D20-ST-BK	20/40	19.00	0.748	21.50	0.846	20.70	0.815
SBH51-LP_E-D21-ST-BK	21/42	20.00	0.787	22.50	0.886	21.70	0.854
SBH51-LP_E-D22-ST-BK	22/44	21.00	0.827	23.50	0.925	22.70	0.894
SBH51-LP_E-D23-ST-BK	23/46	22.00	0.866	24.50	0.965	23.70	0.933
SBH51-LP_E-D24-ST-BK	24/48	23.00	0.906	25.50	1.004	24.70	0.972
SBH51-LP_E-D25-ST-BK	25/50	24.00	0.945	26.50	1.043	25.70	1.012
SBH51-LP_E-D26-ST-BK	26/52	25.00	0.984	27.50	1.083	26.70	1.051
SBH51-LP_E-D27-ST-BK	27/54	26.00	1.024	28.50	1.122	27.70	1.091
SBH51-LP_E-D28-ST-BK	28/56	27.00	1.063	29.50	1.161	28.70	1.130
SBH51-LP_E-D29-ST-BK	29/58	28.00	1.102	30.50	1.201	29.70	1.169
SBH51-LP_E-D30-ST-BK	30/60	29.00	1.142	31.50	1.240	30.70	1.209
SBH51-LP_E-D31-ST-BK	31/62	30.00	1.181	32.50	1.280	31.70	1.248
SBH51-LP_E-D32-ST-BK	32/64	31.00	1.220	33.50	1.319	32.70	1.287
SBH51-LP_E-D33-ST-BK	33/66	32.00	1.260	34.50	1.358	33.70	1.327
SBH51-LP_E-D34-ST-BK	34/68	33.00	1.299	35.50	1.398	34.70	1.366
SBH51-LP_E-D35-ST-BK	35/70	34.00	1.339	36.50	1.437	35.70	1.406
SBH51-LP_E-D36-ST-BK	36/72	35.00	1.378	37.50	1.476	36.70	1.445
SBH51-LP_E-D37-ST-BK	37/74	36.00	1.417	38.50	1.516	37.70	1.484
SBH51-LP_E-D38-ST-BK	38/76	37.00	1.457	39.50	1.555	38.70	1.524
SBH51-LP_E-D39-ST-BK	39/78	38.00	1.496	40.50	1.594	39.70	1.563
SBH51-LP_E-D40-ST-BK	40/80	39.00	1.535	41.50	1.634	40.70	1.603
SBH51-LP_E-D41-ST-BK	41/82	40.00	1.575	42.50	1.673	41.70	1.642
SBH51-LP_E-D42-ST-BK	42/84	41.00	1.614	43.50	1.713	42.70	1.681
SBH51-LP_E-D43-ST-BK	43/86	42.00	1.654	44.50	1.752	43.70	1.720
SBH51-LP_E-D44-ST-BK	44/88	43.00	1.693	45.50	1.791	44.70	1.759
SBH51-LP_E-D45-ST-BK	45/90	44.00	1.732	46.50	1.831	45.70	1.798
SBH51-LP_E-D46-ST-BK	46/92	45.00	1.772	47.50	1.870	46.70	1.837
SBH51-LP_E-D47-ST-BK	47/94	46.00	1.811	48.50	1.909	47.70	1.876
SBH51-LP_E-D48-ST-BK	48/96	47.00	1.850	49.50	1.949	48.70	1.915
SBH51-LP_E-D49-ST-BK	49/98	48.00	1.890	50.50	1.988	49.70	1.954
SBH51-LP_E-D50-ST-BK	50/100	49.00	1.929	51.50	2.028	50.70	1.993

- NOTES:**
- INSULATOR MATERIAL: LCP, UL 94V-0, BLACK.
 - CONTACT MATERIAL: PHOSPHOR BRONZE.
 - CONTACT PLATING: SEE PART NUMBER CODING.
 - CURRENT RATING: 1 AMP PER CONTACT.
 - INSULATOR RESISTANCE: 1000 MEGA OHMS MIN.
 - CONTACT RESISTANCE: 20 MILLIOHMS MAX.
 - DIELECTRIC WITHSTANDING: 300V AC.
 - OPERATING TEMPERATURE: -40° C TO +125° C.
 - *PROCESSING TEMP.: 230° C FOR 60 SECS MAX.
(260° C FOR 10 SECS MAX.)
 - MATES WITH SFM210 SERIES.

*INDICATED TEMPERATURE AND TIME IS FOR COMPONENT INSULATOR. HIGHER PROCESSING TEMPERATURES MAY BE USED, PROVIDED HEAT IS APPLIED FROM BACK SIDE OF PCB, AND INSULATOR DOES NOT EXCEED INDICATED TEMPERATURE AND TIME.

RECOMMENDED PCB LAYOUT



RoHS COMPLIANT

UNLESS OTHERWISE SPECIFIED: DIMENSIONS ARE IN MM[INCHES]		DRAWN	DATE	NAME	
			06/08/2011	LH	
TOLERANCES: ANGULAR: .X=±.3 [.01] .XX=±.20 [.008] .XXX=±.100 [.0040]		THE INFORMATION HEREIN CONTAINS PROPRIETARY INFORMATION OF SULLINS ELECTRONICS AND IS NOT TO BE REPRODUCED, USED OR DISCLOSED TO OTHERS FOR ANY PURPOSE EXCEPT AS SPECIFICALLY AUTHORIZED IN WRITING BY AN OFFICER OF SULLINS ELECTRONICS.			TITLE
INTERPRET DIMENSIONS AND TOLERANCING PER: ASME Y14.5M-2009		SCALE: 8:1			BOX HEADER, 1.00mm[.039"] CC/RS, ST
		PART NUMBER			SBH51-LP_E-D_-ST-BK
		SIZE	CAGE CODE	DWG. NO.	REV
		C	54453	11774	A
		SHEET 1 OF 1			