

阅读申明

- 1.本站收集的数据手册和产品资料都来自互联网，版权归原作者所有。如读者和版权方有任何异议请及时告之，我们将妥善解决。
- 2.本站提供的中文数据手册是英文数据手册的中文翻译，其目的是协助用户阅读，该译文无法自动跟随原稿更新，同时也可能存在翻译上的不当。建议读者以英文原稿为参考以便获得更精准的信息。
- 3.本站提供的产品资料，来自厂商的技术支持或者使用者的心得体会等，其内容可能存在描述上的差异，建议读者做出适当判断。
- 4.如需与我们联系，请发邮件到marketing@iczoom.com，主题请标有“数据手册”字样。

Read Statement

1. The datasheets and other product information on the site are all from network reference or other public materials, and the copyright belongs to the original author and original published source. If readers and copyright owners have any objections, please contact us and we will deal with it in a timely manner.
2. The Chinese datasheets provided on the website is a Chinese translation of the English datasheets. Its purpose is for reader's learning exchange only and do not involve commercial purposes. The translation cannot be automatically updated with the original manuscript, and there may also be improper translations. Readers are advised to use the English manuscript as a reference for more accurate information.
3. All product information provided on the website refer to solutions from manufacturers' technical support or users the contents may have differences in description, and readers are advised to take the original article as the standard.
4. If you have any questions, please contact us at marketing@iczoom.com and mark the subject with "Datasheets" .

JST

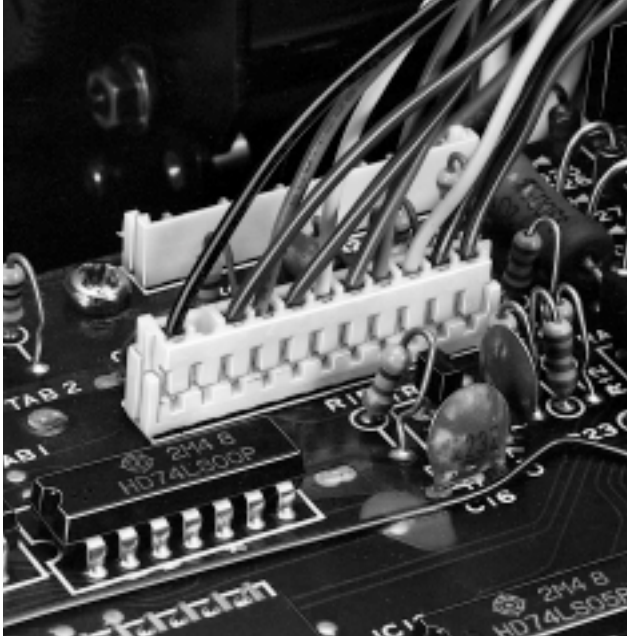
Crimp

2.5mm
(.098") pitch

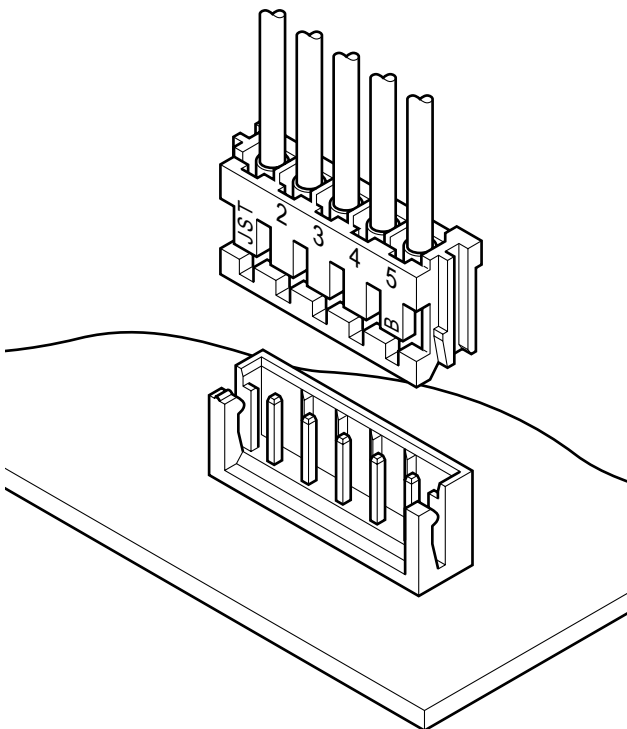
EH CONNECTOR

Disconnectable Crimp style connectors

Radial Tape



This, the thinnest, 2.5mm (.098") pitch connector, is 8.1mm (.319") in height after mounting and 3.8mm (.150") in width. It is designed to meet the demand for the high-density connection of internal wires to printed circuit boards. It is compact, highly reliable and low in cost.



Features

• **Compact and slim**

This connector is designed to be compact and unusually thin. It measures only 8.1mm (.319") high after mounting and is just 3.8mm (.150") wide.

• **Highly reliable contact**

The contact has long dimples near the center that ensure continuity of low voltage and low current circuits at all times, even under conditions of vibration and abusive prying.

• **Polarizing guides**

The header and housing have guides to prevent improper mating.

• **Whisker prevention**

The contact material is treated with a reflow process, and the square post is copper-undercoated and tin/lead-plated for whisker prevention.

• **Easy and effective crimping**

Although the contact is compact, it has a long wire strip length, $2.6 \pm 0.4\text{mm}$ (.102" \pm .016"). This long length is very useful for automatic crimping and when crimping shielded wires.


Specifications

- Current rating: 3A AC, DC (AWG#22)
 - Voltage rating: 250V AC, DC
 - Temperature range: -25°C to +85°C
(including temperature rise in applying electrical current)
 - Contact resistance: Initial value/10m max.
After environmental testing/20m max.
 - Insulation resistance: 1,000M min.
 - Withstanding voltage: 800V AC/minute
 - Applicable wire: AWG #32 to #22
 - Applicable PC board thickness: 0.8 to 1.6mm (.031" to .063")
- * Contact JST for details.

Standards

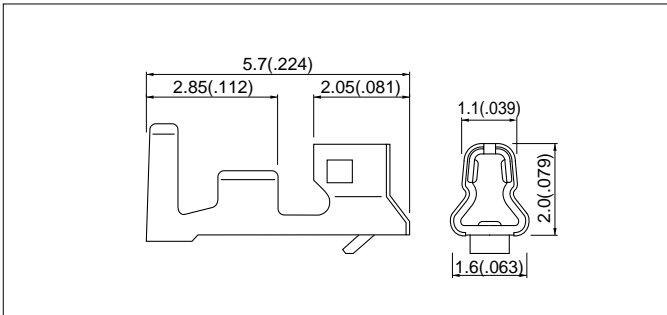
 Recognized E60389

 Certified LR20812

 R75089

EH CONNECTOR

Contact



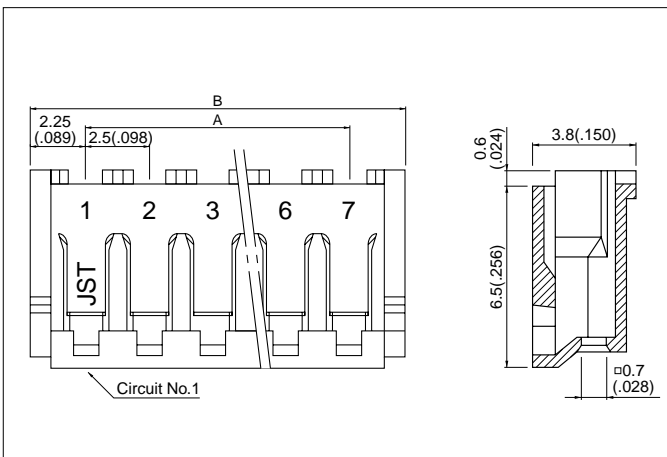
Model No.	Applicable wire			Q'ty / reel
	mm ²	AWG #	Insulation O.D. mm(in.)	
SEH-001T-P0.6	0.05 to 0.3	30 to 22	1.0 to 1.9(.039 to .075)	10,000
SEH-003T-P0.6L	0.032 to 0.08	32 to 28	0.5 to 1.1(.020 to .043)	

Material and Finish

Phosphor bronze, tin-plated

Note: 1. Contact JST for gold-plated contacts.
2. SEH-003T-P0.6L is not TÜV approved.

Housing



Circuits	Model No.	Dimensions mm(in.)		Q'ty / bag
		A	B	
2	EHR-2	2.5(.098)	7.0(.276)	1,000
3	EHR-3	5.0(.197)	9.5(.374)	1,000
4	EHR-4	7.5(.295)	12.0(.472)	1,000
5	EHR-5	10.0(.394)	14.5(.571)	1,000
6	EHR-6	12.5(.492)	17.0(.669)	1,000
7	EHR-7	15.0(.591)	19.5(.768)	1,000
8	EHR-8	17.5(.689)	22.0(.866)	1,000
9	EHR-9	20.0(.787)	24.5(.965)	1,000
10	EHR-10	22.5(.866)	27.0(1.063)	1,000
11	EHR-11	25.0(.984)	29.5(1.161)	1,000
12	EHR-12	27.5(1.083)	32.0(1.260)	1,000
13	EHR-13	30.0(1.181)	34.5(1.358)	1,000
14	EHR-14	32.5(1.280)	37.0(1.457)	1,000
15	EHR-15	35.0(1.378)	39.5(1.555)	1,000

Material

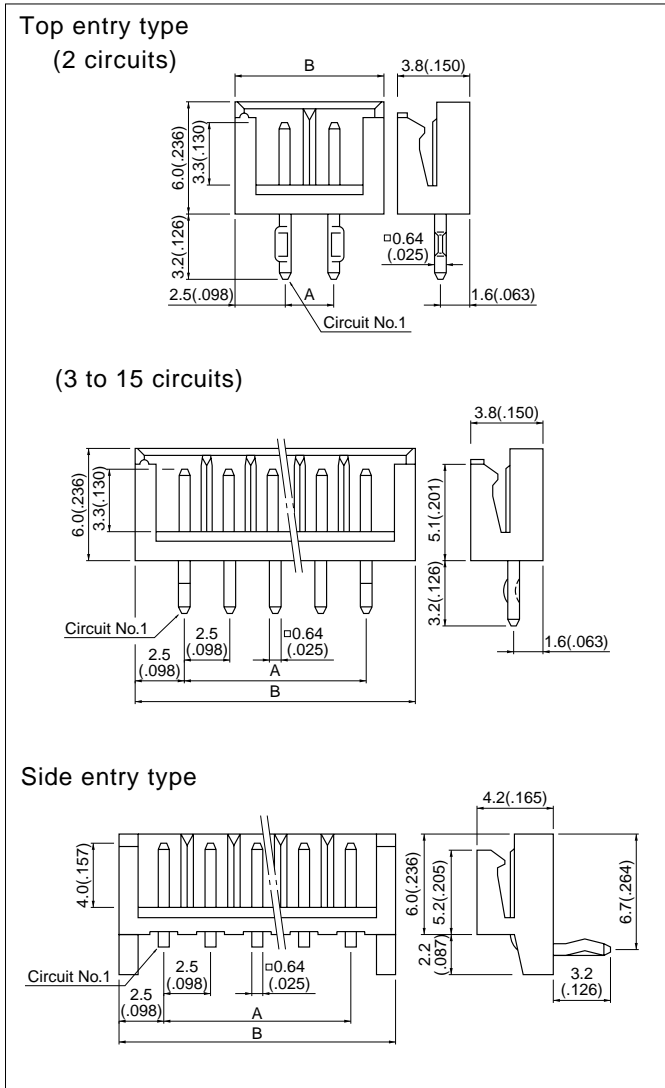
Nylon 66, UL94V-0, natural (white)

<For reference> As the color identification, the following alphabet shall be put in the underlined part. For availability, delivery and minimum order quantity, contact JST.

ex. **EHR-2-oo**
 (blank)...natural (white)
 K...black R...red TR...tomato red E...blue Y...yellow
 L...lemon yellow M...green O...orange N...brown PL...purple
 PK...pink H...gray LE...light blue FY...vivid yellow

Shrouded header

The shrouded headers are interchangeable with those of the HR crimp style and insulation displacement connectors.



Circuits	Model No.		Dimensions mm.(in)		Qty / box	
	Top entry type	Side entry type	A	B	Top entry type	Side entry type
2	B 2B-EH-A	S 2B-EH	2.5(.098)	7.5(.295)	1,000	1,000
3	B 3B-EH-A	S 3B-EH	5.0(.197)	10.0(.394)	1,000	1,000
4	B 4B-EH-A	S 4B-EH	7.5(.295)	12.5(.492)	1,000	1,000
5	B 5B-EH-A	S 5B-EH	10.0(.394)	15.0(.591)	1,000	1,000
6	B 6B-EH-A	S 6B-EH	12.5(.492)	17.5(.689)	1,000	500
7	B 7B-EH-A	S 7B-EH	15.0(.591)	20.0(.787)	1,000	500
8	B 8B-EH-A	S 8B-EH	17.5(.689)	22.5(.886)	500	500
9	B 9B-EH-A	S 9B-EH	20.0(.787)	25.0(.984)	500	500
10	B10B-EH-A	S10B-EH	22.5(.886)	27.5(1.083)	500	500
11	B11B-EH-A	S11B-EH	25.0(.984)	30.0(1.181)	500	250
12	B12B-EH-A	S12B-EH	27.5(1.083)	32.5(1.280)	500	250
13	B13B-EH-A	S13B-EH	30.0(1.181)	35.0(1.378)	250	250
14	B14B-EH-A	S14B-EH	32.5(1.280)	37.5(1.476)	250	250
15	B15B-EH-A	S15B-EH	35.0(1.378)	40.0(1.575)	250	250

Material and Finish

Post: Brass, copper-undercoated, tin/lead plated
Wafer: Nylon 66, UL94V-0, natural (white)

Note:

- Also available and identified as model BxxB-EH is a top entry type having a post extension length of 4.0mm(.157")
- Top entry type headers are not TÜV approved.

<For reference> As the color identification, the following alphabet shall be put in the underlined part. For availability, delivery and minimum order quantity, contact JST.

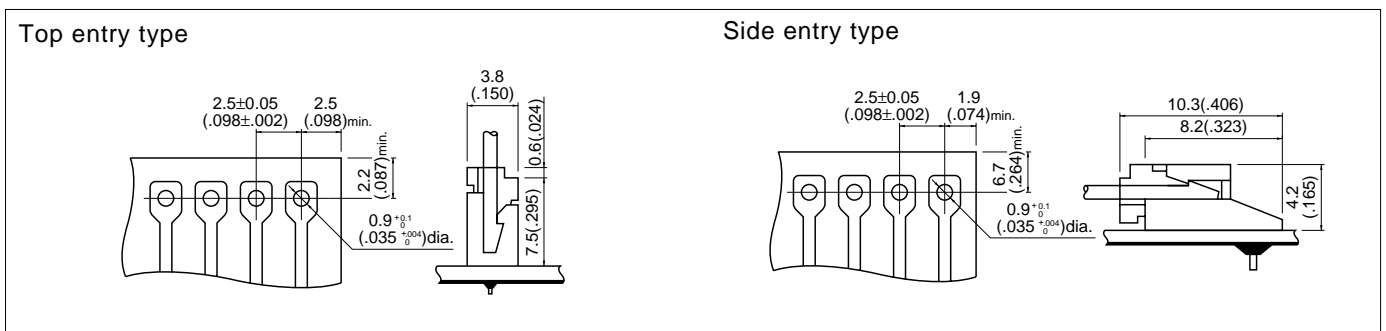
<Top entry type>

ex. **B2B-EH-A-oo**
(blank)...natural (white)
K...black R...red E...blue Y...yellow M...green

<Side entry type>

ex. **S2B-EH-oo**
(blank)...natural (white)
K...black R...red TR...tomato red E...blue Y...yellow
L...lemon yellow M...green O...orange N...brown P...purple
PK...pink H...gray LE...light blue FY...vivid yellow

PC board layout (viewed from soldering side) and Assembly layout



Note:

- Tolerances are non-cumulative: $\pm 0.05\text{mm}(\pm .002")$ for all centers.
- Hole dimension differ according to the kind of PC board and piercing method. If PC boards made of hard material such as FR-4 are used, the hole dimensions should be larger. The dimensions above should serve as a guideline. Contact JST for details.

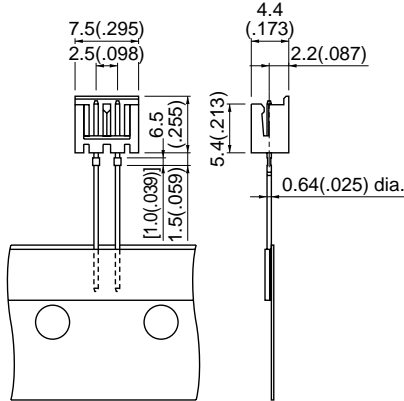
EH CONNECTOR

Shrouded header on radial-tape

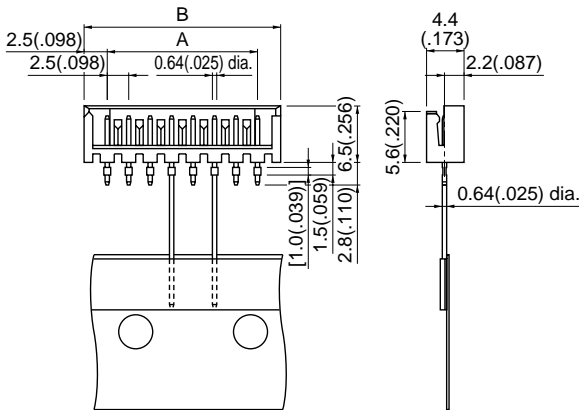
<Taping specifications conform to EIAJ-RC-1008B and JIS C0805.>

- The shrouded headers are interchangeable with those of the HR crimp style and insulation displacement connectors .
- Shrouded headers on radial-tape are not TÜV approved.

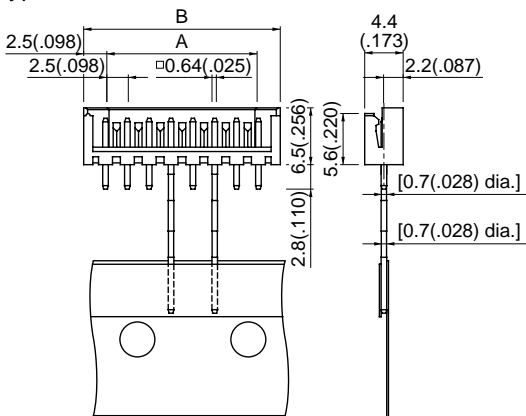
TS type
(2 circuits)



(3 to 8 circuits)



TV4 type



Cir- cuits	Model No.	Dimensions mm(in.)		Q'ty / box
		A	B	
2	B2B-EH-TS	-	-	1,400
3	B3B-EH-TS	5.0(.197)	10.0(.394)	1,400
4	B4B-EH-TS	7.5(.295)	12.5(.492)	700
5	B5B-EH-TS	10.0(.394)	15.0(.591)	700
6	B6B-EH-TS	12.5(.492)	17.5(.689)	700
7	B7B-EH-TS	15.0(.591)	20.0(.787)	700
8	B8B-EH-TS	17.5(.689)	22.5(.886)	700

Material and Finish

Pin: Brass, copper-undercoated, tin/lead-plated
Wafer: Nylon 66, UL94V-0, natural (white)

<For reference> As the color identification,
the following alphabet shall be put in the underlined part.
For availability, delivery and minimum order quantity, contact JST.

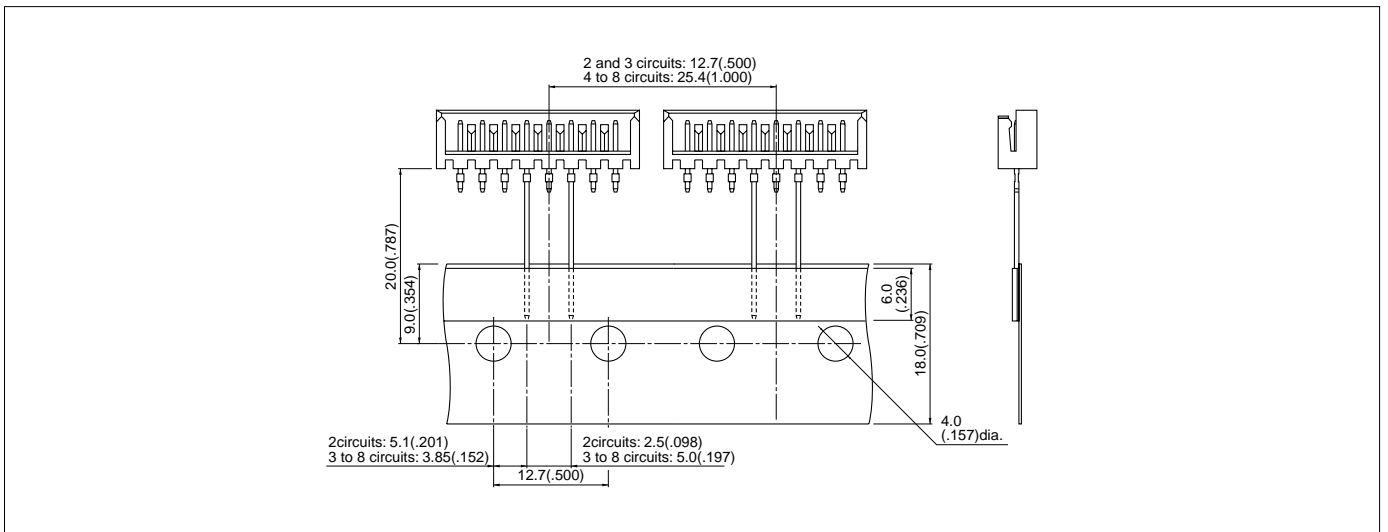
ex. **B2B-EH-TS-00**
(blank)...natural (white)
K...black R...red E...blue Y...yellow M...green N...brown

Cir- cuits	Model No.	Dimensions mm(in.)		Q'ty / box
		A	B	
3	B3B-EH-TV4	5.0(.197)	10.0(.394)	1,400
4	B4B-EH-TV4	7.5(.295)	12.5(.492)	700
5	B5B-EH-TV4	10.0(.394)	15.0(.591)	700
6	B6B-EH-TV4	12.5(.492)	17.5(.689)	700
7	B7B-EH-TV4	15.0(.591)	20.0(.787)	700
8	B8B-EH-TV4	17.5(.689)	22.5(.886)	700

Material and Finish

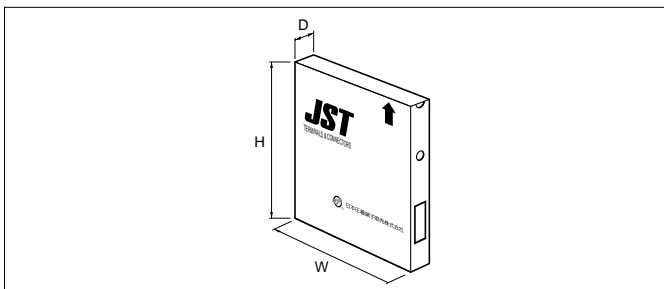
Post: Brass, copper-undercoated, tin/lead-plated
Wafer: Nylon 66, UL94V-0, natural (white)

Taping specifications

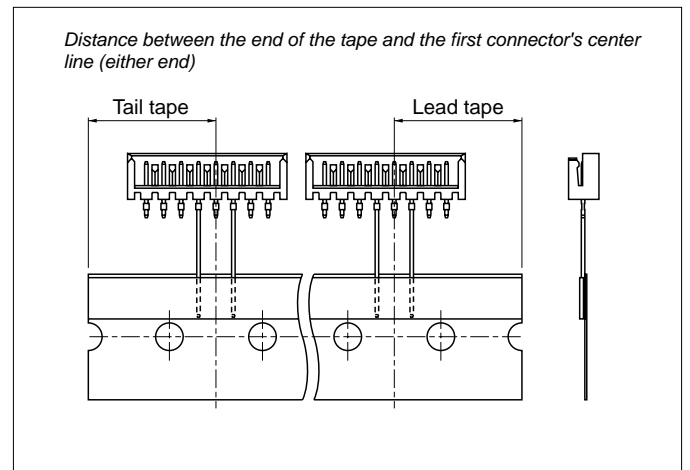


Note: Conforms to JIS C0825.

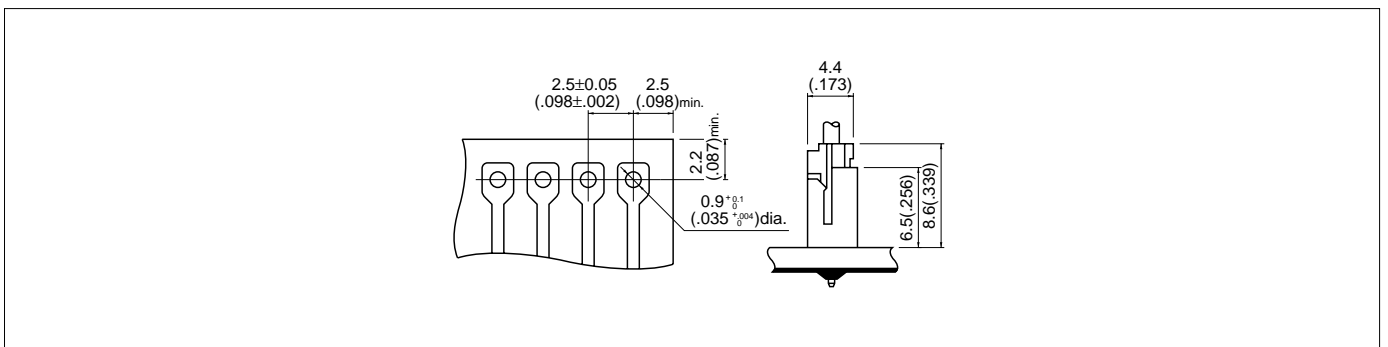
Packaging specifications



Package type	Flat pack (zigzag folded)
Distance between folds	24 indexing holes per fold (304.8mm/12")
Box size	(316x45x330mm)12.4"(W)x1.8"(D) x13.0"(H)
Distance between the end of the tape and the first connector's center line (either end)	19.05mm(.750")



PC board layout (viewed from soldering side) and Assembly layout



Note:

1. Tolerances are non-cumulative: $\pm 0.05\text{mm} (\pm .002")$ for all centers.
2. Hole dimension differ according to the kind of PC board and piercing method. If PC boards made of hard material such as FR-4 are used, the hole dimensions should be larger. The dimensions above should serve as a guideline. Contact JST for details.

EH CONNECTOR

Applicator for the semi-automatic press AP-K2N

Contact	Crimp applicator MKS-L(-10)		Compact crimp applicator MKS-LS		Strip-crimp applicator MKS-SC
	with safety cover	without safety cover	with safety cover	without safety cover	with safety cover
SEH-001T-P0.6	APLMK SEH001-06	APLNC SEH001-06	APLMKLS SEH001-06	APLLSNC SEH001-06	APLSC SEH001-06
SEH-003T-P0.6L	APLMK SEH003-06	APLNC SEH003-06	-	-	APLSC SEH003-06