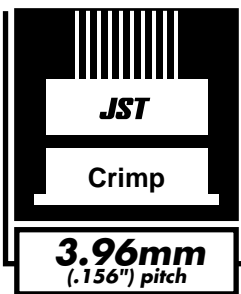


阅读申明

- 1.本站收集的数据手册和产品资料都来自互联网，版权归原作者所有。如读者和版权方有任何异议请及时告之，我们将妥善解决。
- 2.本站提供的中文数据手册是英文数据手册的中文翻译，其目的是协助用户阅读，该译文无法自动跟随原稿更新，同时也可能存在翻译上的不当。建议读者以英文原稿为参考以便获得更精准的信息。
- 3.本站提供的产品资料，来自厂商的技术支持或者使用者的心得体会等，其内容可能存在描述上的差异，建议读者做出适当判断。
- 4.如需与我们联系，请发邮件到marketing@iczoom.com，主题请标有“数据手册”字样。

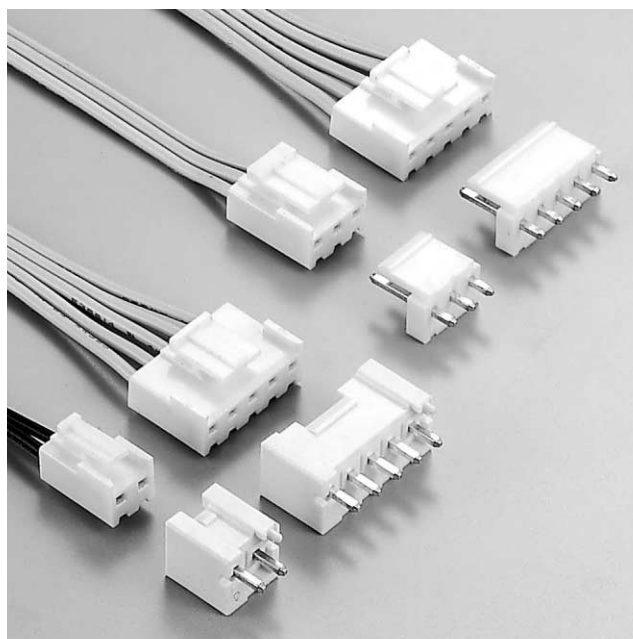
Read Statement

1. The datasheets and other product information on the site are all from network reference or other public materials, and the copyright belongs to the original author and original published source. If readers and copyright owners have any objections, please contact us and we will deal with it in a timely manner.
2. The Chinese datasheets provided on the website is a Chinese translation of the English datasheets. Its purpose is for reader's learning exchange only and do not involve commercial purposes. The translation cannot be automatically updated with the original manuscript, and there may also be improper translations. Readers are advised to use the English manuscript as a reference for more accurate information.
3. All product information provided on the website refer to solutions from manufacturers' technical support or users the contents may have differences in description, and readers are advised to take the original article as the standard.
4. If you have any questions, please contact us at marketing@iczoom.com and mark the subject with "Datasheets" .

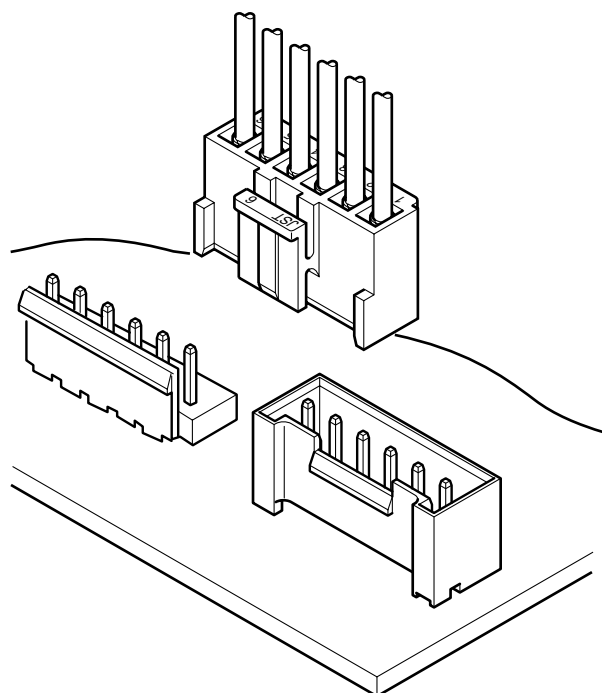


VH CONNECTOR

Disconnectable Crimp style connectors



This small, field-proven connector for printed circuit boards is reliable and has a large current carrying capacity. It can be used with a wide variety of signal, power supply, and output circuits that appear in consumer electronic products.



Features

• Proven box contact

This connector was developed with the same box-shaped contact design used successfully in the NH connectors. The reliable VH connector can be used in a wide variety of applications, from low-voltage, low-current signal circuits to power supply circuits having a relatively large capacity.

• Compact connector with a large capacity

Even though this connector has a large current carrying capacity (10A), it is compact, with a mounting height of 16.5mm (.650").

• Secure contact and mounting

The housing has a lock mechanism which prevents the connector from coming loose due to vibration. The mechanism also prevents misinsertion (misalignment or reverse insertion).

Specifications

- Current rating: 10A AC, DC (AWG#16)
- Voltage rating: 250V AC, DC
- Temperature range: -25°C to +85°C
(including temperature rise in applying electrical current)
- Contact resistance: Initial value/10m Ω max.
After environmental testing/20m Ω max.
- Insulation resistance: 1,000M Ω min.
- Withstanding voltage: 1,500V AC/minute
- Applicable wire: AWG #22 to #16
- Applicable PC board thickness: 1.6mm(.063")

Note:

Do not branch in parallel current which exceeds the rated current. If branched in parallel, current imbalance or other problems may develop. If it is absolutely necessary to branch such a large current in parallel, be sure to use contacts made of phosphor bronze. Design the circuits without causing imbalance and provide an extra margin for each circuit.

* Contact JST if Lead-Free product is required.

* Temperature Range:

The aforementioned temperature range of this connector is described in JST Standard Product Specification. Maximum temperature registered in UL is 105°C.

* Refer to "General Instruction and Notice when using Terminals and Connectors" at the end of this catalog.

* Contact JST for details.

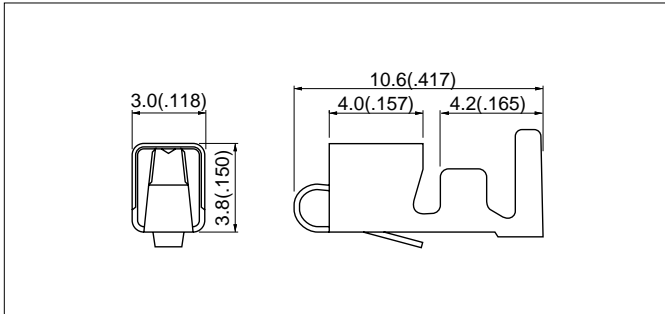
Standards

Ⓜ Recognized E60389

Ⓢ Certified LR20812

⚠ R75122

Contact

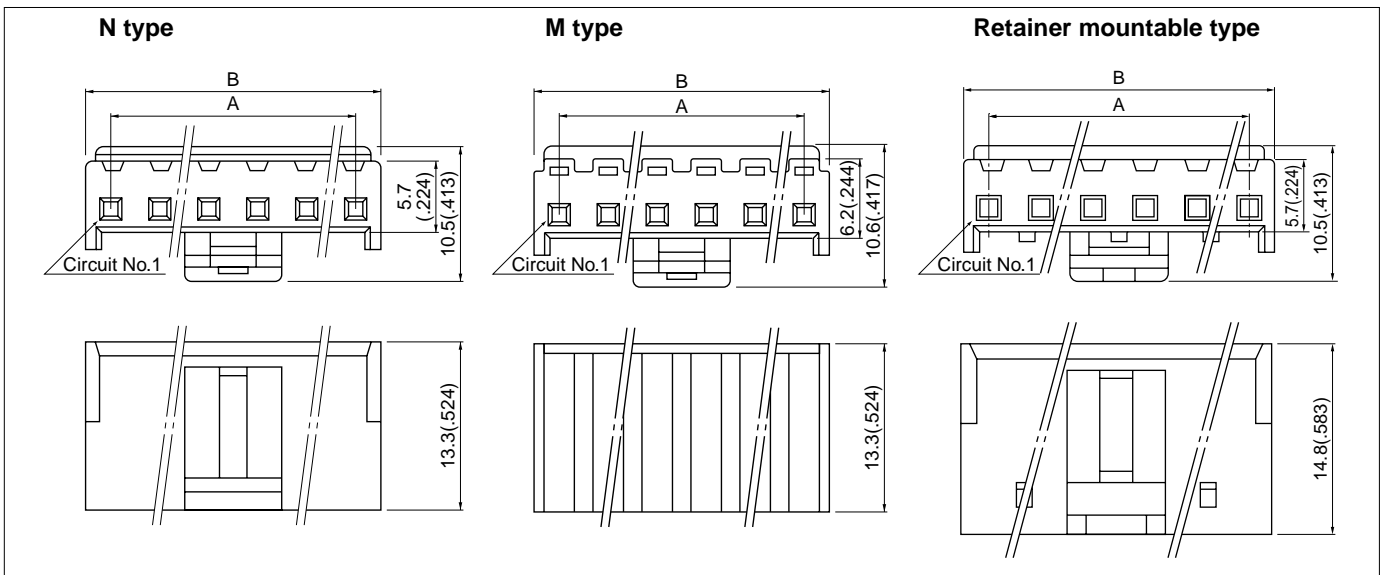


Model No.	Applicable wire			Q'ty / reel
	mm ²	AWG #	Insulation O.D. mm(in.)	
SVH-21T-P1.1	0.33 to 0.83	22 to 18	1.7 to 3.0 (.067 to .118)	4,500
SVH-41T-P1.1	0.5 to 1.25	20 to 16	1.7 to 3.0 (.067 to .118)	3,500

Material and Finish	
Phosphor bronze, tin-plated	

Note: 1. Contact JST if you require contacts made of brass.
 2. When using retainer mountable type housing, applicable wire's insulation O. D. shall be 1.7 to 2.2mm (.067" to .087").

Housing



Circuits	Model No.			Dimensions mm(in.)		Q'ty / bag
	N type	M type	Retainer mountable type	A	B	
2	VHR-2N	VHR-2M	VHRR-2N	3.96(.156)	7.86(.309)	1,000
3	VHR-3N	VHR-3M	VHRR-3N	7.92(.312)	11.82(.465)	1,000
4	VHR-4N	VHR-4M	—	11.88(.468)	15.78(.621)	1,000
5	VHR-5N	VHR-5M	VHRR-5N	15.84(.624)	19.74(.777)	1,000
6	VHR-6N	VHR-6M	—	19.80(.780)	23.70(.933)	500
7	VHR-7N	VHR-7M	VHRR-7N	23.76(.935)	27.66(1.089)	500
8	VHR-8N	—	VHRR-8N	27.72(1.091)	31.62(1.245)	500
9	VHR-9N	VHR-9M	VHRR-9N	31.68(1.247)	35.58(1.401)	500
10	VHR-10N	—	—	35.64(1.403)	39.54(1.557)	500
11	VHR-11N	—	—	39.60(1.559)	43.50(1.713)	500

Material	
Nylon 6, UL94V-0, natural (white)	

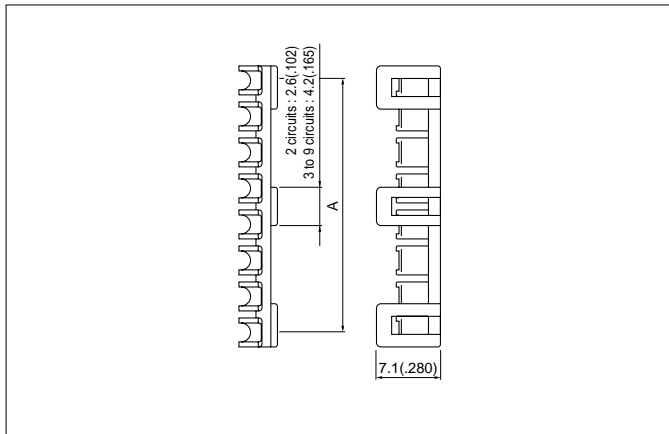
Note: 1. Models identified as VHR-() M incorporate measures to prevent electric shock and are thus safer in regard to high voltages.
 2. The applicable housing for 2-circuits shrouded header is "VHR-2N" only. "VHRR-2N" is not applicable.
 3. Models VHR-11N and VHRR-()N are not TÜV approved.

<For reference> As the color identification, the following alphabet shall be put in the underlined part. For availability, delivery and minimum order quantity, contact JST.

ex. **VHR-2N-oo**
 (blank)...natural (white)
 BK...black R...red BL...blue M...green D...orange Y...yellow
 PK...pink H...gray

VH CONNECTOR

Retainer



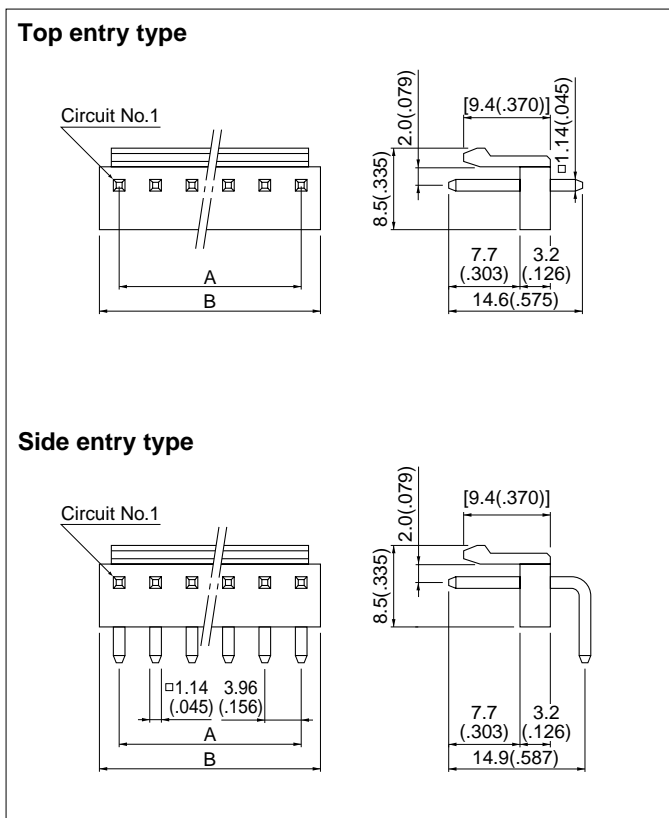
Circuits	Model No.	A	Q'ty / bag
2	VHS-2V	3.70(.146)	1,000
3	VHS-3V	7.52(.296)	1,000
5	VHS-5V	15.44(.608)	1,000
7	VHS-7V	23.36(.920)	1,000
8	VHS-8V	27.32(1.076)	1,000
9	VHS-9V	31.28(1.231)	1,000

Material

Glass-filled nylon 66, UL94V-0, natural (ivory)

Note: Not TÜV approved.

Locking header



Circuits	Model No.		Dimensions mm(in.)		Q'ty / box	
	Top entry type	Side entry type	A	B	Top entry type	Side entry type
2	B 2P-VH	B 2PS-VH	3.96(.156)	7.86(.309)	1,000	1,000
3	B 3P-VH	B 3PS-VH	7.92(.312)	11.82(.465)	1,000	500
4	B 4P-VH	B 4PS-VH	11.88(.468)	15.78(.621)	500	500
5	B 5P-VH	B 5PS-VH	15.84(.624)	19.74(.777)	500	250
6	B 6P-VH	B 6PS-VH	19.80(.780)	23.70(.933)	250	250
7	B 7P-VH	B 7PS-VH	23.76(.935)	27.66(1.089)	250	250
8	B 8P-VH	B 8PS-VH	27.72(1.091)	31.62(1.245)	200	200
9	B 9P-VH	B 9PS-VH	31.68(1.247)	35.58(1.401)	200	200
10	B10P-VH	B10PS-VH	35.64(1.403)	39.54(1.557)	200	200

Material and Finish

Post: Brass, copper-undercoated, tin/lead-plated
Wafer: Nylon 66, UL94V-0, natural (white)

Note: Headers with a reduced number of posts are also available.
Contact JST for details.

<For reference> As the color identification,
the following alphabet shall be put in the underlined part.
For availability, delivery and minimum order quantity, contact JST.

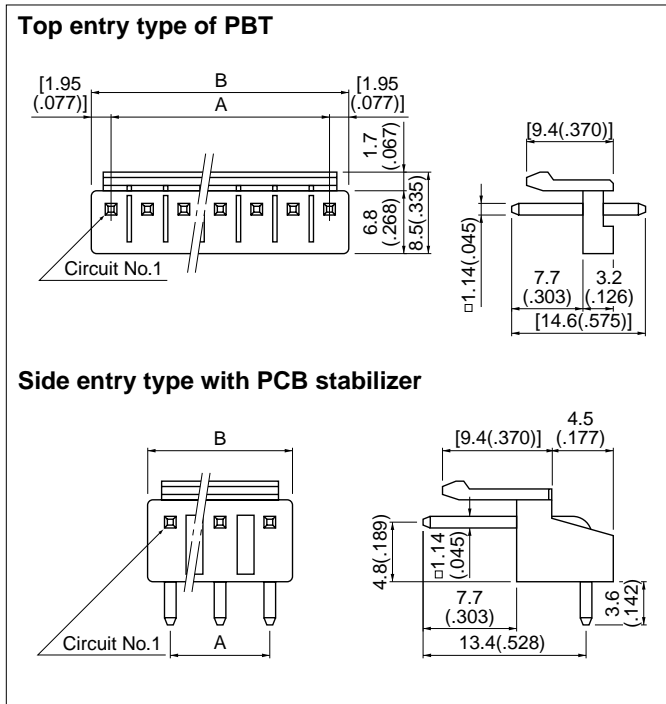
ex. **B2P(S)-VH-oo**

(blank)...natural (white)

BK...black R...red TR...tomato red BL...blue M...green

O...orange Y...yellow PK...pink H...gray

Locking header



Circuits	Model No.		Dimensions mm(in.)		Q'ty / box	
	Top entry type of PBT	Side entry type with PCB stabilizer	A	B	Top entry type	Side entry type
2	B 2P-VH-B	S2P-VH	3.96(.156)	7.86(.309)	1,000	1,000
3	B 3P-VH-B	S3P-VH	7.92(.312)	11.82(.465)	500	500
4	B 4P-VH-B	S4P-VH	11.88(.468)	15.78(.621)	500	500
5	B 5P-VH-B	S5P-VH	15.84(.624)	19.74(.777)	250	250
6	B 6P-VH-B	—	19.80(.780)	23.70(.933)	250	—
7	B 7P-VH-B	S7P-VH	23.76(.935)	27.66(1.089)	250	250
8	B 8P-VH-B	—	27.72(1.091)	31.62(1.245)	200	—
9	B 9P-VH-B	—	31.68(1.247)	35.58(1.401)	200	—
10	B10P-VH-B	—	35.64(1.403)	39.54(1.557)	200	—
11	B11P-VH-B	—	39.60(1.559)	43.50(1.713)	—	—

Material and Finish

Post: Brass, copper-undercoated, tin/lead-plated
 Wafer: Top entry type of PBT: Glass-filled PBT, UL94V-0, natural (ivory)
 Side entry type with PCB stabilizer: Nylon 66, UL94V-0, natural (white)

Note : B11P-VH-B is not TÜV approved.

<For reference> As the color identification, the following alphabet shall be put in the underlined part. For availability, delivery and minimum order quantity, contact JST.

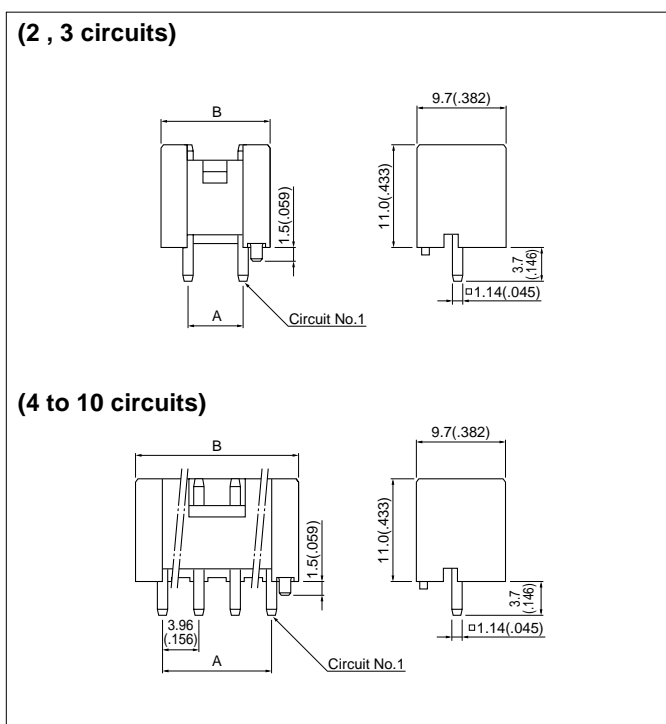
<Top entry type of PBT>

ex. **B2P-VH-B-oo**
 (blank)...natural (ivory)
 C...black R...red E...blue M...green Y...yellow

<Side entry type with PCB stabilizer>

ex. **S2P-VH-oo**
 (blank)...natural (white)
 BK...black R...red BL...blue Y...yellow M...green

Shrouded header



Circuits	Model No.	Dimensions mm(in.)		Q'ty / box
		A	B	
2	B 2P-VH-FB-B	3.96(.156)	9.80(.386)	250
3	B 3P-VH-FB-B	7.92(.312)	13.76(.542)	200
4	B 4P-VH-FB-B	11.88(.468)	17.72(.698)	150
5	B 5P-VH-FB-B	15.84(.624)	21.68(.854)	200
6	B 6P-VH-FB-B	19.80(.780)	25.64(1.009)	200
7	B 7P-VH-FB-B	23.76(.935)	29.60(1.165)	100
8	B 8P-VH-FB-B	27.72(1.091)	33.56(1.321)	100
9	B 9P-VH-FB-B	31.68(1.247)	37.52(1.477)	100
10	B10P-VH-FB-B	35.64(1.403)	41.48(1.633)	125

Material and Finish

Post: Brass, copper-undercoated, tin/lead-plated
 Wafer: Glass-filled PBT, UL94V-0, natural (white)

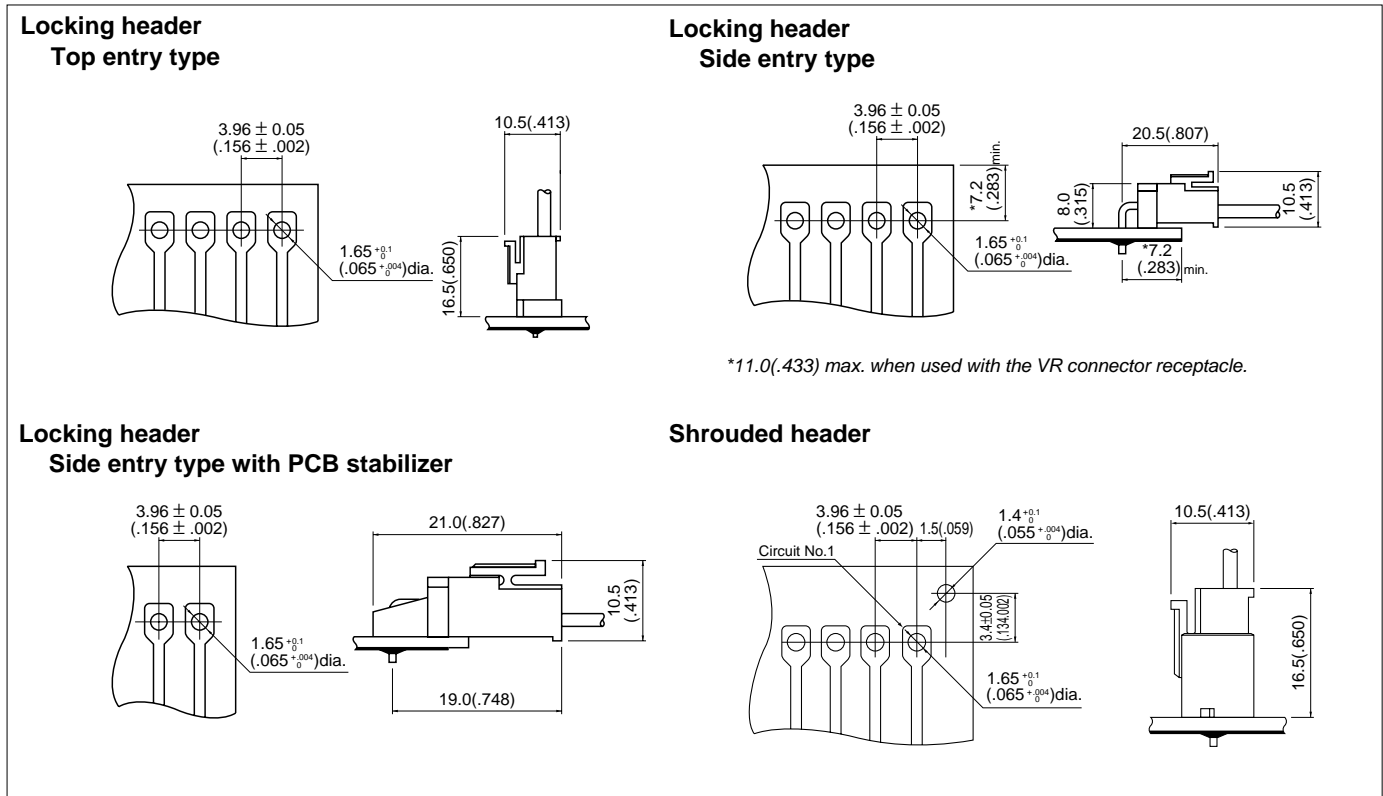
Note : The applicable housing for 2-circuits shrouded header is "VHR-2N" only. "VHRR-2N" is not applicable.

<For reference> As the color identification, the following alphabet shall be put in the underlined part. For availability, delivery and minimum order quantity, contact JST.

ex. **B2P-VH-FB-B-oo**
 (blank)...natural (white)
 R...red C...black E...blue M...green Y...yellow O...orange
 H...gray PK...pink

VH CONNECTOR

PC board layout (viewed from soldering side) and Assembly layout



Note:
 1. Tolerances are non-cumulative: $\pm 0.05\text{mm}(\pm .002)$ for all centers.
 2. Hole dimensions differ according to the kind of PC board and piercing method. The dimensions above should serve as a guideline. Contact JST for details.

Applicator for the semi-automatic press AP-K2N

Contact	Crimp applicator MKS-L		Compact crimp applicator MKS-LS		Strip-crimp applicator MKS-SC
	with safety cover	without safety cover	with safety cover	without safety cover	with safety cover
SVH-21T-P1.1	APLMK SVH21-11	APLNC SVH21-11	-	-	APLSC SVH21-11
SVT-41T-P1.1	APLMK SVT41-11	APLNC SVT41-11	-	-	-