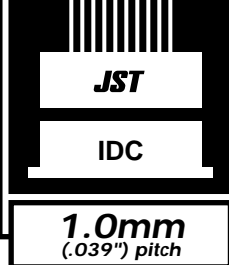


## 阅读申明

- 1.本站收集的数据手册和产品资料都来自互联网，版权归原作者所有。如读者和版权方有任何异议请及时告之，我们将妥善解决。
- 2.本站提供的中文数据手册是英文数据手册的中文翻译，其目的是协助用户阅读，该译文无法自动跟随原稿更新，同时也可能存在翻译上的不当。建议读者以英文原稿为参考以便获得更精准的信息。
- 3.本站提供的产品资料，来自厂商的技术支持或者使用者的心得体会等，其内容可能存在描述上的差异，建议读者做出适当判断。
- 4.如需与我们联系，请发邮件到marketing@iczoom.com，主题请标有“数据手册”字样。

## Read Statement

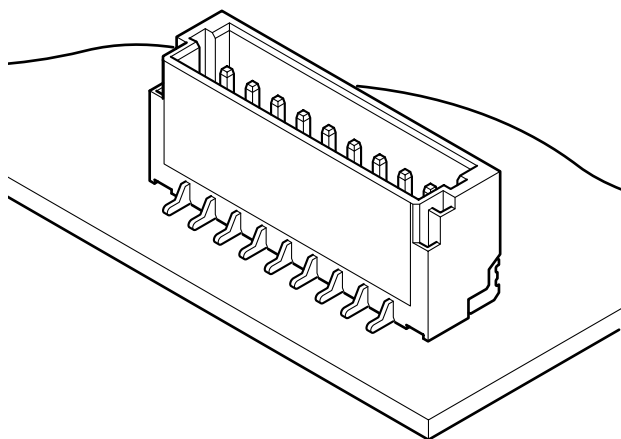
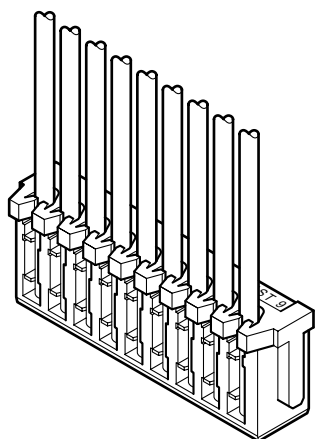
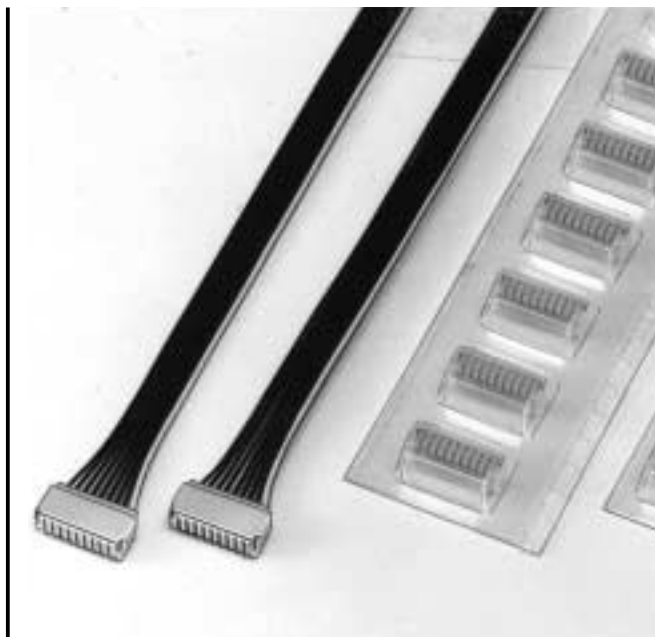
1. The datasheets and other product information on the site are all from network reference or other public materials, and the copyright belongs to the original author and original published source. If readers and copyright owners have any objections, please contact us and we will deal with it in a timely manner.
2. The Chinese datasheets provided on the website is a Chinese translation of the English datasheets. Its purpose is for reader's learning exchange only and do not involve commercial purposes. The translation cannot be automatically updated with the original manuscript, and there may also be improper translations. Readers are advised to use the English manuscript as a reference for more accurate information.
3. All product information provided on the website refer to solutions from manufacturers' technical support or users the contents may have differences in description, and readers are advised to take the original article as the standard.
4. If you have any questions, please contact us at marketing@iczoom.com and mark the subject with "Datasheets" .



# SR CONNECTOR



Disconnectable insulation displacement connectors



## Features

### • Ultra-compact insulation displacement connector

1.0mm (.039") pitch and only 3.0mm (.118") high (side entry type). This connector is only about 61% as large as the smallest conventional (JST) IDC designs.

### • Header designed for vacuum pick and place robotics

Although this shrouded header has locking features for its mating receptacle, there are no holes in the header shroud that would adversely effect vacuum gripping equipment. Since there is enough flat surface for secure vacuum gripping, this miniature surface mount connector is versatile for designers and economic for manufacturing.

### • Twin U-slot insulation displacement section

The insulation displacement section connected to each wire consists of two tin-plated slots (twin U-slots), which ensures reliable connection.

### • 3-point grip construction

The 3-point insulation grip feature and the strain relief ensure a firm grip on terminated wires and protection of the insulation displacement connection from possible damage.

## Specifications

- Current rating: 0.7A DC
- Voltage rating: 50V DC
- Temperature range: -25°C to +85°C (including temperature rise in applying electrical current)
- Contact resistance: Initial value/20m Ω max.  
After environmental testing/40m Ω max.
- Insulation resistance: 100M Ω min.
- Withstanding voltage: 500V AC/minute
- Applicable wire: AWG #30  
Conductor/7 strands,  
tin-coated annealed copper  
Insulation O.D./0.56mm (.022")

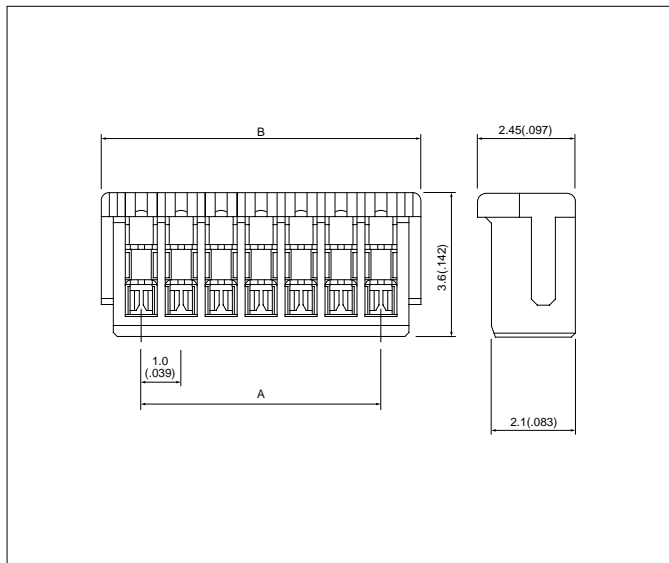
\* Contact JST for details.

## Standards

- Recognized E60389
- ┆ Certified LR20812

# SR CONNECTOR

## Receptacle

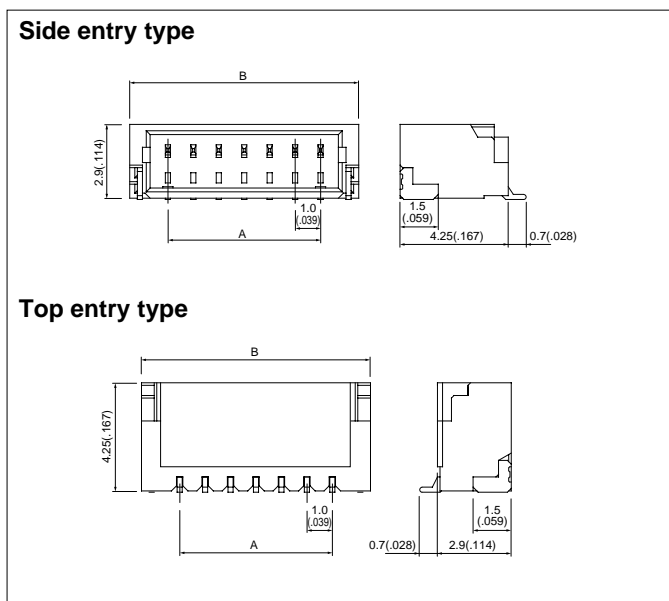


Circuits	Model No.	Dimensions mm(in.)		Q'ty / box
		A	B	
2	<b>02SR-3S</b>	1.0(.039)	3.0(.118)	3,000
3	<b>03SR-3S</b>	2.0(.079)	4.0(.157)	3,000
4	<b>04SR-3S</b>	3.0(.118)	5.0(.197)	3,000
5	<b>05SR-3S</b>	4.0(.157)	6.0(.236)	2,000
6	<b>06SR-3S</b>	5.0(.197)	7.0(.276)	2,000
7	<b>07SR-3S</b>	6.0(.236)	8.0(.315)	2,000
8	<b>08SR-3S</b>	7.0(.276)	9.0(.354)	2,000
9	<b>09SR-3S</b>	8.0(.315)	10.0(.394)	2,000
10	<b>10SR-3S</b>	9.0(.354)	11.0(.433)	2,000
11	<b>11SR-3S</b>	10.0(.394)	12.0(.472)	2,000
12	<b>12SR-3S</b>	11.0(.433)	13.0(.512)	2,000
13	<b>13SR-3S</b>	12.0(.472)	14.0(.551)	2,000
14	<b>14SR-3S</b>	13.0(.512)	15.0(.591)	2,000

### Material and Finish

Contact: Phosphor bronze, tin-plated  
Housing: Polyamide 66, UL94V-0, natural (ivory)

## Shrouded header



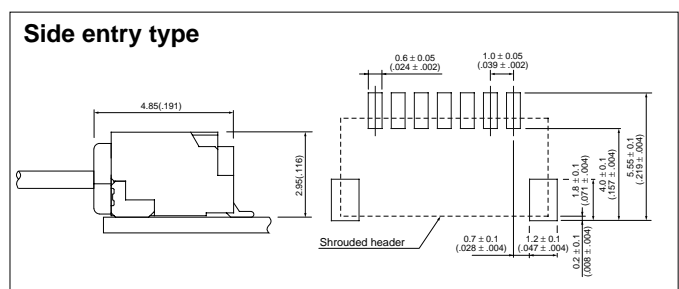
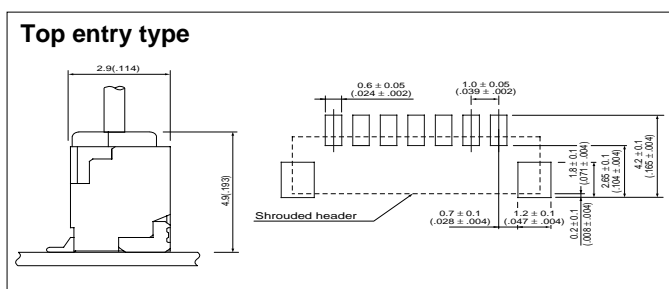
Circuits	Top entry type	Side entry type	Dimensions mm(in.)		Q'ty / reel	
			A	B	Top entry type	Side entry type
2	<b>BM02B-SRSS-TB</b>	<b>SM02B-SRSS-TB</b>	1.0(.039)	4.0(.157)	1,500	3,000
3	<b>BM03B-SRSS-TB</b>	<b>SM03B-SRSS-TB</b>	2.0(.079)	5.0(.197)	1,500	3,000
4	<b>BM04B-SRSS-TB</b>	<b>SM04B-SRSS-TB</b>	3.0(.118)	6.0(.236)	1,500	3,000
5	<b>BM05B-SRSS-TB</b>	<b>SM05B-SRSS-TB</b>	4.0(.157)	7.0(.276)	1,500	3,000
6	<b>BM06B-SRSS-TB</b>	<b>SM06B-SRSS-TB</b>	5.0(.197)	8.0(.315)	1,500	3,000
7	<b>BM07B-SRSS-TB</b>	<b>SM07B-SRSS-TB</b>	6.0(.236)	9.0(.354)	1,500	3,000
8	<b>BM08B-SRSS-TB</b>	<b>SM08B-SRSS-TB</b>	7.0(.276)	10.0(.394)	1,500	3,000
9	<b>BM09B-SRSS-TB</b>	<b>SM09B-SRSS-TB</b>	8.0(.315)	11.0(.433)	1,500	3,000
10	<b>BM10B-SRSS-TB</b>	<b>SM10B-SRSS-TB</b>	9.0(.354)	12.0(.472)	1,500	3,000
11	<b>BM11B-SRSS-TB</b>	<b>SM11B-SRSS-TB</b>	10.0(.394)	13.0(.512)	1,500	3,000
12	<b>BM12B-SRSS-TB</b>	<b>SM12B-SRSS-TB</b>	11.0(.433)	14.0(.551)	1,500	3,000
13	<b>BM13B-SRSS-TB</b>	<b>SM13B-SRSS-TB</b>	12.0(.472)	15.0(.591)	1,500	3,000
14	<b>BM14B-SRSS-TB</b>	<b>SM14B-SRSS-TB</b>	13.0(.512)	16.0(.630)	1,500	3,000

### Material and Finish

Contact: Copper alloy, copper-undercoated, tin/lead plated  
Wafer: Polyamide, UL94V-0, natural (ivory)  
Solder tab: Brass, copper-undercoated, tin/lead plated

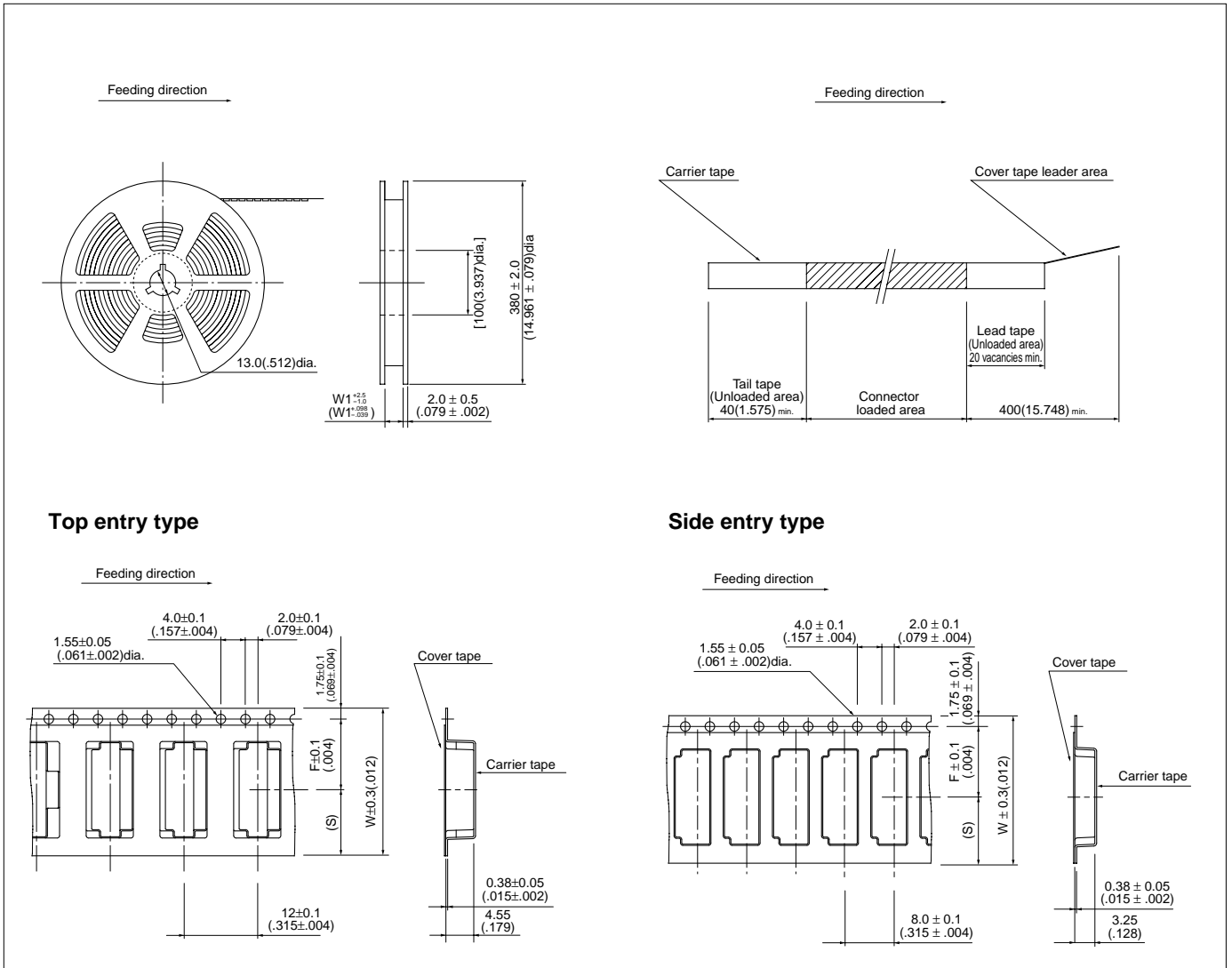
- Note: 1. The products listed above are supplied on embossed-tape.  
2. Contact JST for the top entry type headers with suction cap.

## PC board layout (viewed from component side) and Assembly layout



- Note: 1. Tolerances are non-cumulative:  $\pm 0.05\text{mm} (\pm .002")$  for all centers.  
2. Dimensions above should serve as a guideline. Contact JST for details.

## Taping specifications



Circuits	Taping dimensions mm(in.)						Reel dimensions mm(in.)		Q'ty / reel	
	F		S		W		W1		Top entry type	Side entry type
	Top entry type	Side entry type	Top entry type	Side entry type	Top entry type	Side entry type	Top entry type	Side entry type		
2 to 3	5.5(.217)	5.5(.217)	4.75(.187)	4.75(.187)	12(.472)	12(.472)	13.5(.531)	13.5(.531)	1,500	3,000
4	7.5(.295)	5.5(.217)	6.75(.266)	4.75(.187)	16(.630)	12(.472)	17.5(.689)	13.5(.531)	1,500	3,000
5 to 7	7.5(.295)	7.5(.295)	6.75(.266)	6.75(.266)	16(.630)	16(.630)	17.5(.689)	17.5(.689)	1,500	3,000
8	11.5(.453)	7.5(.295)	10.75(.423)	6.75(.266)	24(.945)	16(.630)	25.5(1.004)	17.5(.689)	1,500	3,000
9 to 14	11.5(.453)	11.5(.453)	10.75(.423)	10.75(.423)	24(.945)	24(.945)	25.5(1.004)	25.5(1.004)	1,500	3,000

**Note:**

- Specifications conform to JIS C 0806. The tape width, connector recess hole dimensions, etc. are determined by the number of circuits and external shape of the connector to be loaded.
- Specifications are subject to change without prior notice.