




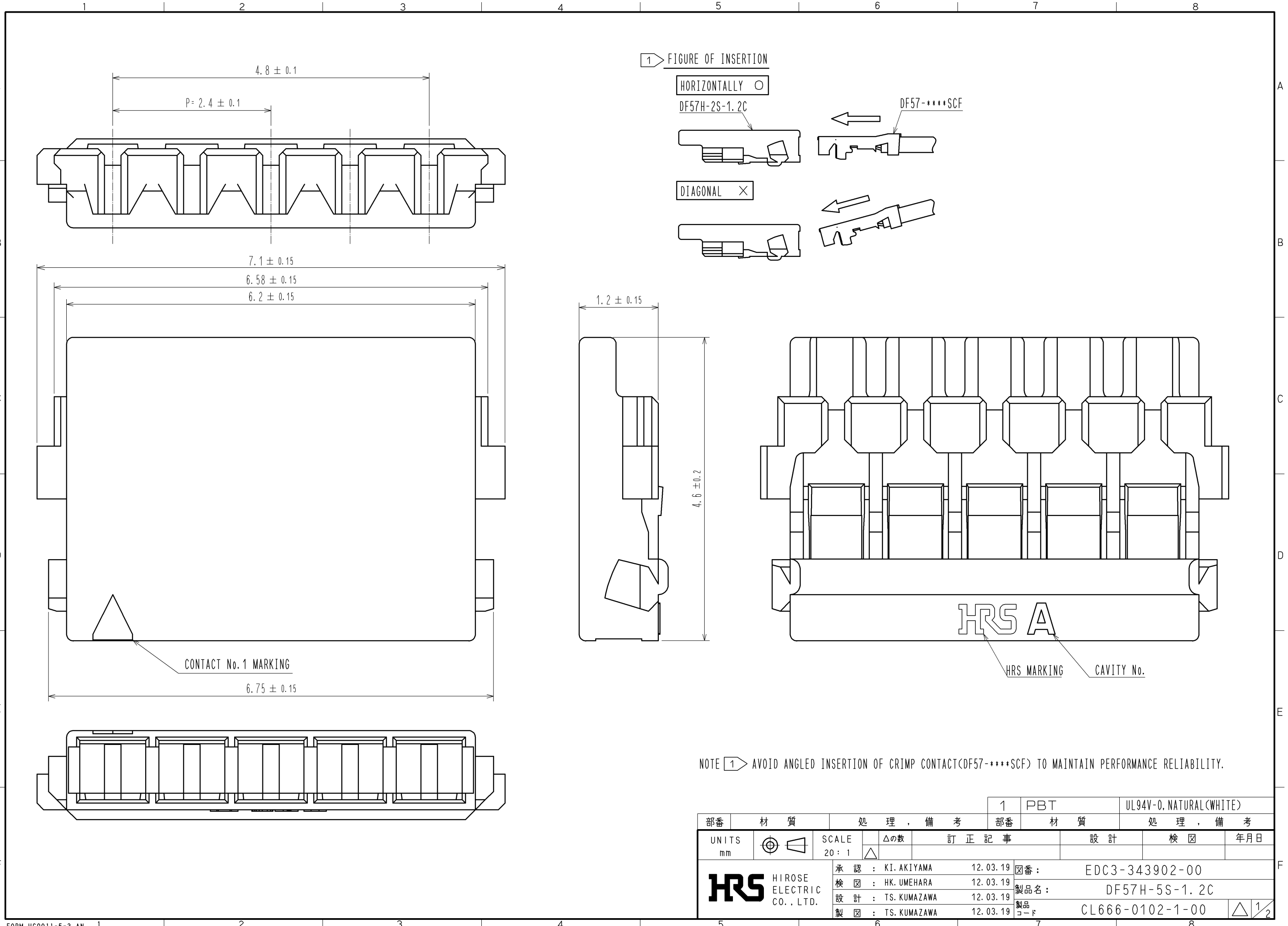
## 阅读申明

- 1.本站收集的数据手册和产品资料都来自互联网，版权归原作者所有。如读者和版权方有任何异议请及时告之，我们将妥善解决。
- 2.本站提供的中文数据手册是英文数据手册的中文翻译，其目的是协助用户阅读，该译文无法自动跟随原稿更新，同时也可能存在翻译上的不当。建议读者以英文原稿为参考以便获得更精准的信息。
- 3.本站提供的产品资料，来自厂商的技术支持或者使用者的心得体会等，其内容可能存在描述上的差异，建议读者做出适当判断。
- 4.如需与我们联系，请发邮件到marketing@iczoom.com，主题请标有“数据手册”字样。

## Read Statement

1. The datasheets and other product information on the site are all from network reference or other public materials, and the copyright belongs to the original author and original published source. If readers and copyright owners have any objections, please contact us and we will deal with it in a timely manner.
2. The Chinese datasheets provided on the website is a Chinese translation of the English datasheets. Its purpose is for reader's learning exchange only and do not involve commercial purposes. The translation cannot be automatically updated with the original manuscript, and there may also be improper translations. Readers are advised to use the English manuscript as a reference for more accurate information.
3. All product information provided on the website refer to solutions from manufacturers' technical support or users the contents may have differences in description, and readers are advised to take the original article as the standard.
4. If you have any questions, please contact us at marketing@iczoom.com and mark the subject with "Datasheets" .

APPLICABLE STANDARD						
RATING	OPERATING TEMPERATURE RANGE	-35 °C TO +85°C (NOTE1)		STORAGE TEMPERATURE RANGE	-10 °C TO +60°C (NOTE3)	
	OPERATING HUMIDITY RANGE	20% TO 80% (NOTE2)		STORAGE HUMIDITY RANGE	40% TO 70% (NOTE3)	
	VOLTAGE	50 V AC/DC		APPLICABLE CONNECTOR	DF57H-5P-1.2V(##)	
	CURRENT	AWG28 : 1.5A AWG32 : 0.8A	AWG30 : 1.0A AWG34 : 0.5A	APPLICABLE CONTACT	DF57-2830SCF DF57-3234SCF	
SPECIFICATIONS						
ITEM	TEST METHOD		REQUIREMENTS		QT	AT
CONSTRUCTION						
GENERAL EXAMINATION	VISUALLY AND BY MEASURING INSTRUMENT.		ACCORDING TO DRAWING.		X	X
MARKING	CONFIRMED VISUALLY.				X	X
ELECTRIC CHARACTERISTICS						
INSULATION RESISTANCE	100 V DC.		100 MΩ MIN.		X	—
VOLTAGE PROOF	500 V AC FOR 1 min.		NO FLASHOVER OR BREAKDOWN.		X	—
MECHANICAL CHARACTERISTICS						
MECHANICAL OPERATION	30 TIMES INSERTION AND EXTRACTION.		NO DAMAGE, CRACK OR LOOSENESS OF PARTS.		X	—
VIBRATION	FREQUENCY 10 TO 55 Hz, SINGLE AMPLITUDE 0.75 mm, AT 10 CYCLES FOR 3 DIRECTION.		NO DAMAGE, CRACK OR LOOSENESS OF PARTS.		X	—
SHOCK	490 m/s <sup>2</sup> DURATION OF PULSE 11 ms AT 3 TIMES FOR 3 DIRECTIONS.				X	—
ENVIRONMENTAL CHARACTERISTICS						
DAMP HEAT(STEADY STATE)	EXPOSED AT 40 ± 2°C , 90 TO 95 % , 96 h. (AFTER LEAVING THE ROOM TEMPERATURE FOR 1~2h.)		① INSULATION RESISTANCE: 100 MΩ MIN. ② NO DAMAGE, CRACK OR LOOSENESS OF PARTS.		X	—
RAPID CHANGE OF TEMPERATURE	TEMPERATURE -55°C→ +85°C TIME 30min→ 30min UNDER 5 CYCLES. (THE TRANSFERRING TIME OF THE TANK IS 2~3 min) (AFTER LEAVING THE ROOM TEMPERATURE FOR 1~2h.)		① INSULATION RESISTANCE: 100 MΩ MIN. ② NO DAMAGE, CRACK OR LOOSENESS OF PARTS.		X	—
NOTE 1: INCLUDE THE TEMPERATURE RISING BY CURRENT. NOTE2:NO CONDENSING NOTE3:APPLY TO THE CONDITION OF LONG TERM STORAGE FOR UNUSED PRODUCTS BEFOR PCB ON BOARD, AFTER PCB BOARD , OPERATING TEMPERATURE AND HUMIDITTY RANGE IS APPLIED FOR INTERIM STRAGE DURING TRANSPORTATION.						
	COUNT	DESCRIPTION OF REVISIONS	DESIGNED	CHECKED	DATE	
						
REMARKS				APPROVED	KI. AKIYAMA	12. 03. 19
				CHECKED	HK. UMEHARA	12. 03. 19
Unless otherwise specified, refer to JIS C 5402.				DESIGNED	TS. KUMAZAWA	12. 03. 19
				DRAWN	TS. KUMAZAWA	12. 03. 19
Note QT:Qualification Test AT:Assurance Test X:Applicable Test			DRAWING NO.		ELC4-343902-00	
	SPECIFICATION SHEET		PART NO.	DF57H-5S-1. 2C		
	HIROSE ELECTRIC CO., LTD.		CODE NO.	CL666-0102-1-00		1/1

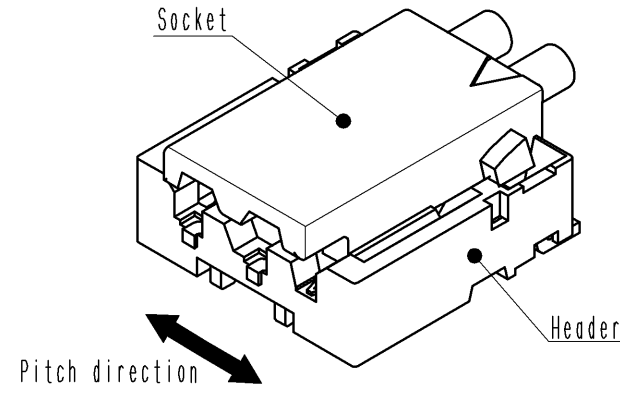


UNITS mm		SCALE 20:1		△の数		訂正記事		設計		検図		年月日	
HRS HIROSE ELECTRIC CO., LTD.		承認: KI. AKIYAMA 12.03.19		検図: HK. UMEHARA 12.03.19		設計: TS. KUMAZAWA 12.03.19		製図: TS. KUMAZAWA 12.03.19		1 PBT		UL94V-0, NATURAL(WHITE)	
		部番		材質		処理, 備考		部番		材質		処理, 備考	
		1		PBT		UL94V-0, NATURAL(WHITE)		図番:		EDC3-343902-00		製品名:	
								製品コード:		CL666-0102-1-00		△ 1/2	

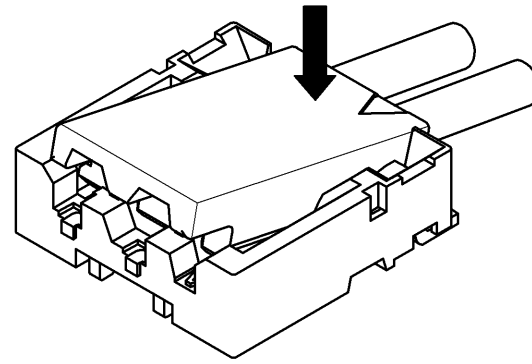
# DF57 Series Mating / Unmating Operation Instruction

## Mating

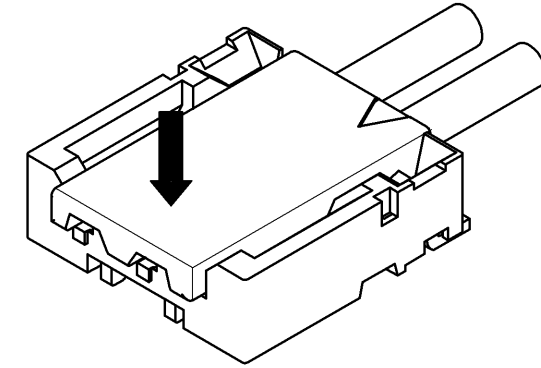
① By positioning the convexity of the socket sides to the header concavity, align the centers of the socket and the header in pitch direction.



② Slightly press the socket down at cable side to tilted angle.

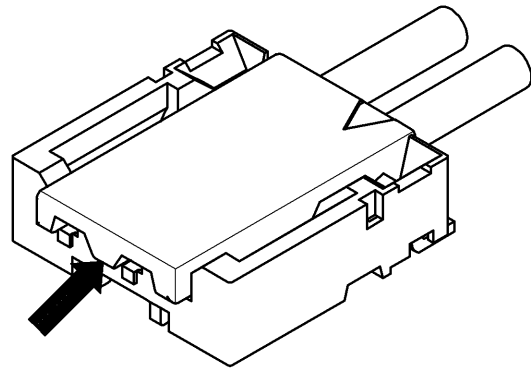


③ Press down at the lever side with stabilizing the cable side to insert. Mating completes.

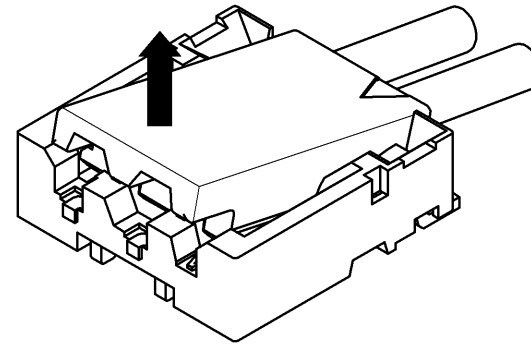


## Unmating

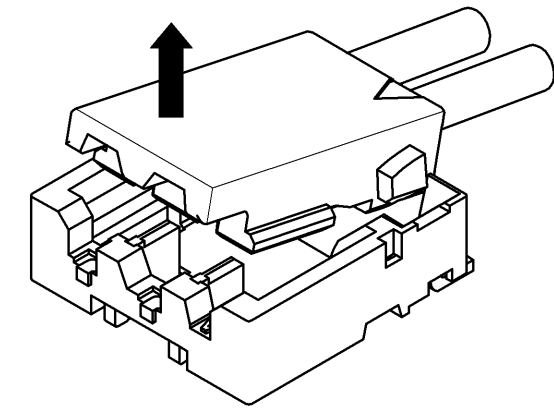
① Hook the lever with finger nail.



② Lift up to the upper direction and friction lock is released.



③ Lift up to the upper direction and positive lock is released. Removal completes.



<b>HRS</b>	DRAWING NO.	EDC3-343902-00
	PART NO.	DF57H-5S-1.2C
	CODE NO.	CL666-0102-1-00
		△ 2/2